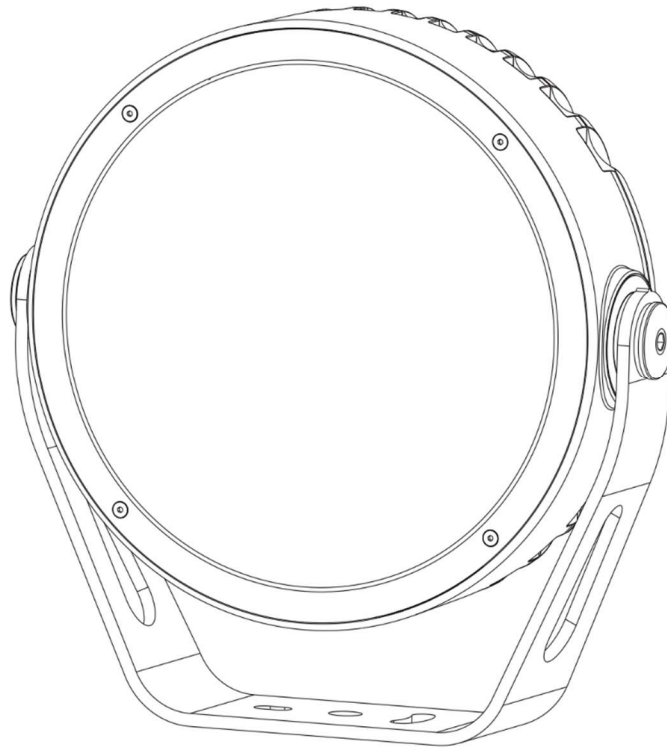


Calumma Remote M MC Calumma Remote M SC



QR code for user manual



Table of contents

1. Safety instructions	3
2. Fixture exterior view	5
3. Control and connection	5
4. Installation	8
4.1 Mounting the fixture	8
4.2 Connection to power	10
4.3 Top hat installation	14
4.4 Half top hat installation	15
4.5 Example of Control panel in RDM manager.....	16
5. Software update	18
6. Technical specifications	20
7. Cleaning and maintenance	24
7.1 Disposing of the product	24
8. ChangeLog	24

**FOR YOUR OWN SAFETY, PLEASE READ THIS USER MANUAL CAREFULLY
BEFORE POWERING OR INSTALLING YOUR Calumma Remote M !
Save it for future reference.**

This device has left our premises in absolutely perfect condition. In order to maintain this condition and to ensure safe operation, it is absolutely necessary for the user to follow the safety instructions and warnings written in this manual.

The manufacturer will not accept liability for any resulting damages caused by the non-observance of this manual or any unauthorized modification to the device.

Unauthorized modification will void warranty.

1. Safety instructions

DANGEROUS VOLTAGE CONSTITUTING A RISK OF ELECTRIC SHOCK IS PRESENT WITHIN THIS UNIT!

This fixture should be operated only from the type of power source indicated on the marking label. If you are not sure of the type of power supplied, consult your authorized distributor or local power company.

Always disconnect the fixture from AC power before servicing or cleaning.

Make sure the power/data cable is not damaged by sharp edges.

Do not install the unit near an open flame.

Refer servicing to qualified service personnel.

Do not connect this fixture to a dimmer pack.

This fixture falls under protection class III.

LED light emission. Risk of eye injury. Do not look into the beam from a short distance without suitable protective eyewear. Do not look at LEDs with magnifiers or similar optical instruments that may concentrate the light output.

The fixture was designed for outdoor use. This fixture must not be used for underwater installation.

When choosing the installation spot, please make sure that the fixture is not exposed to extreme heat or dust.

Avoid using the unit in locations subject to possible impacts.

The fixture body never must be covered with cloth or other materials when the fixture is under operation.

Only operate the fixture after having checked that the housing is firmly closed and all screws are tightly fastened.

The fixture becomes hot during operation. Allow the fixture to cool approximately 30 minutes prior to servicing or maintenance.

Calumma Remote M

Operate the fixture only after having familiarized yourself with its functions. Do not permit operation by persons not qualified to operate the fixture. Most damages are the result of unprofessional operation!

Please consider that unauthorized modifications on the fixture are forbidden due to safety reasons!

Please use the original packaging if the fixture is to be transported.

If this device will be operated in any way different to the one described in this manual, the product may suffer damages and the warranty becomes void. Furthermore, any other operation may lead to dangers like short-circuit, burns, electric shock etc.

The product (covers and cables) must not be exposed to a high frequency electromagnetic field higher than 3V/m.

Immunity of the equipment is designed according to the standard EN 55035 Electromagnetic compatibility of multimedia equipment - Immunity requirements

Emission of the equipment complies with the standard EN55032 Electromagnetic compatibility of multimedia equipment – Emission Requirements according to class B.

This device complies with part 15 of the FCC Rules. Operation is subject to the following two conditions: (1) This device may not cause harmful interference, and (2) this device must accept any interference received, including interference that may cause undesired operation.

Changes or modifications not expressly approved by the party responsible for compliance could void the user's authority to operate the equipment.

The [Device] wireless operation is safe and complies to RF Exposure requirements.

This equipment has been tested and found to comply with the limits for a Class B digital device, pursuant to part 15 of the FCC Rules. These limits are designed to provide reasonable protection against harmful interference in a residential installation. This equipment generates, uses and can radiate radio frequency energy and, if not installed and used in accordance with the instructions, may cause harmful interference to radio communications. However, there is no guarantee that interference will not occur in a particular installation. If this equipment does cause harmful interference to radio or television reception, which can be determined by turning the equipment off and on, the user is encouraged to try to correct the interference by one or more of the following measures:

- Reorient or relocate the receiving antenna.
- Increase the separation between the equipment and receiver.
- Connect the equipment into an outlet on a circuit different from that to which the receiver is connected.
- Consult the dealer or an experienced radio/TV technician for help.

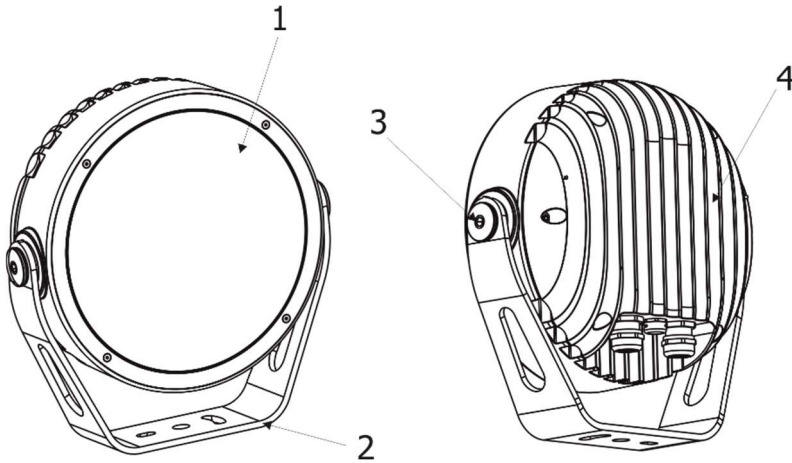
Warning for fixtures with Harsh Environment Finish (HEF):

Handle with care!

Avoid any damage to the painted surface.

Damaging the paint may result in corrosion and loss of warranty.

2. Fixture exterior view



- 1. Transparent glass cover
- 2. Mounting yoke
- 3. Tilt adjusting lock
- 4. LED module with heat sink

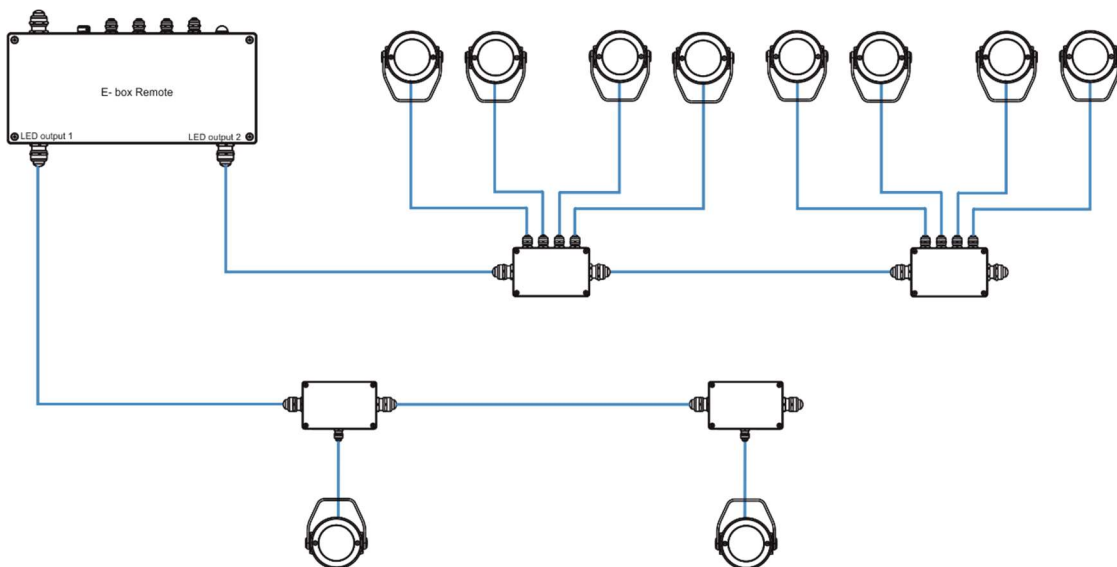
3. Control and connection

The Calumma Remote M modules should be connected to the E-Box Remote or E-Box Remote basic via junction boxes.



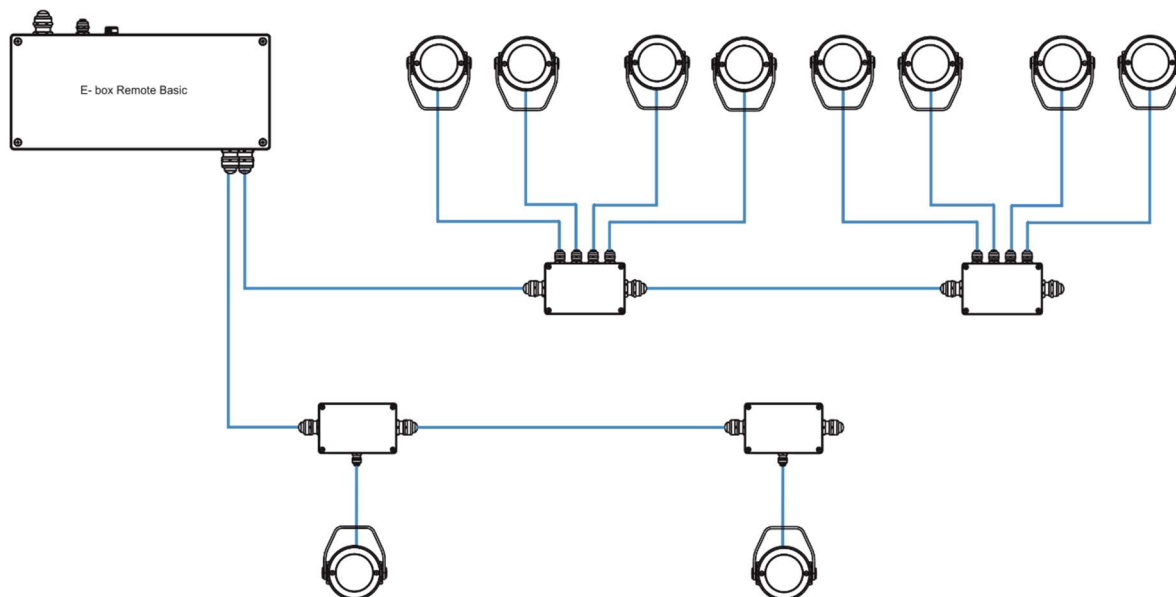
The E-box Remote has to be switched to the Pass-Through mode.

Example of connection with E-box Remote



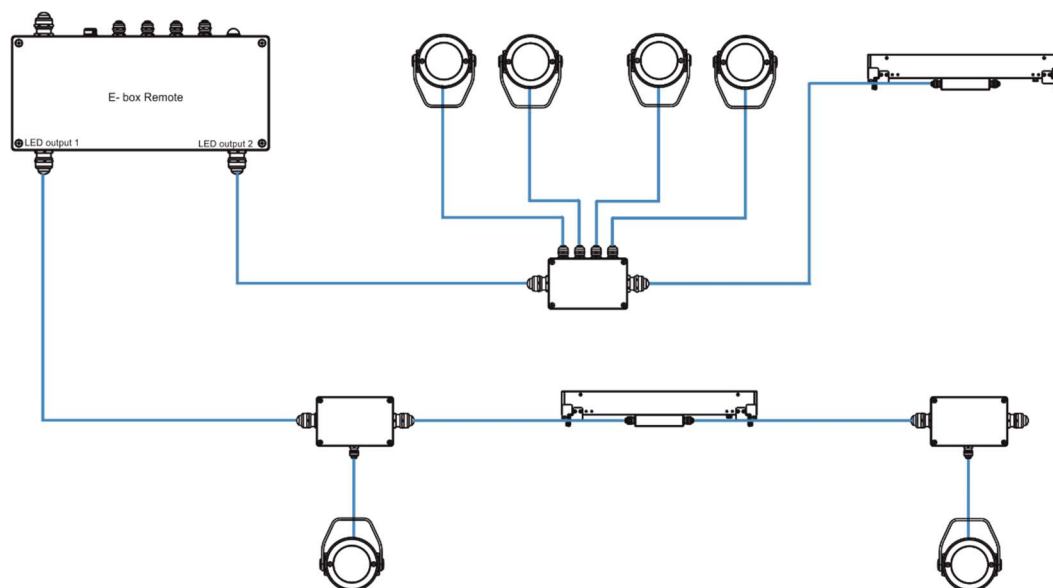
Calumma Remote M

Example of connection with E-box Remote Basic



Note. Combination of Calummas Remote M and Emineres Remote is also possible.

Example:



Max. number of Calummas Remote M connected to the E-box Remote/E-box Remote Basic depends on cable length.

E-box Remote/E-box Remote Basic

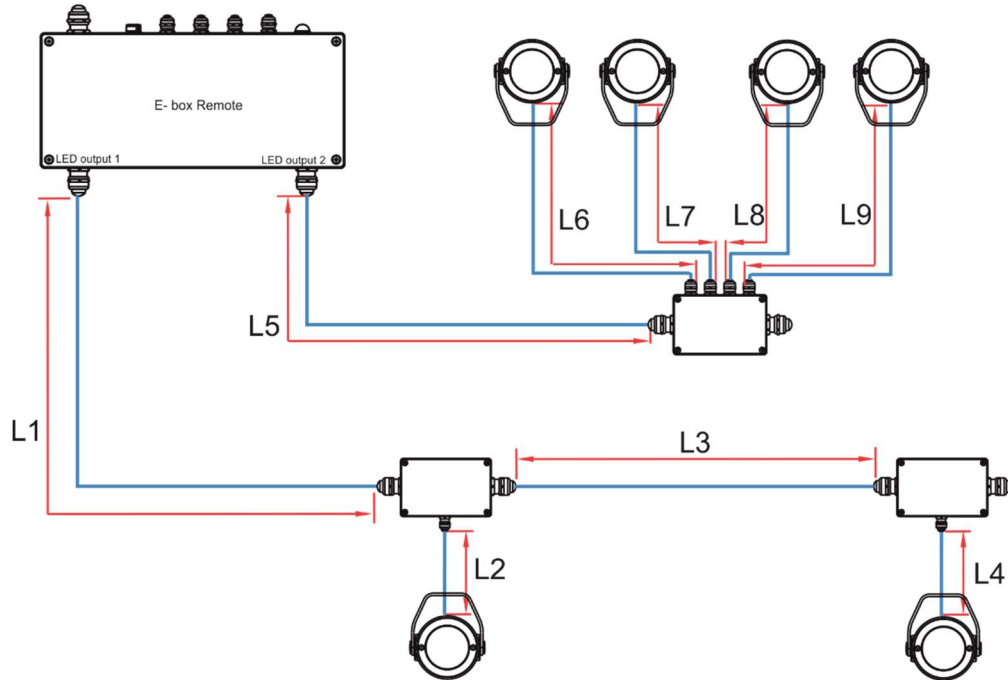
Cable length *	Max. number of Calummas Remote M SC/Calummas Remote M MC
25 m	6
50 m	5
75 m	4
100 m	3

Calumma Remote M

* Cable length is a total cable length on both outputs of the E-box Remote (E-box Remote Basic).

Example:

Total cable length (output 1+output 2)= $L1+L2+L3+L4+L5+L6+L7+L8+L9$

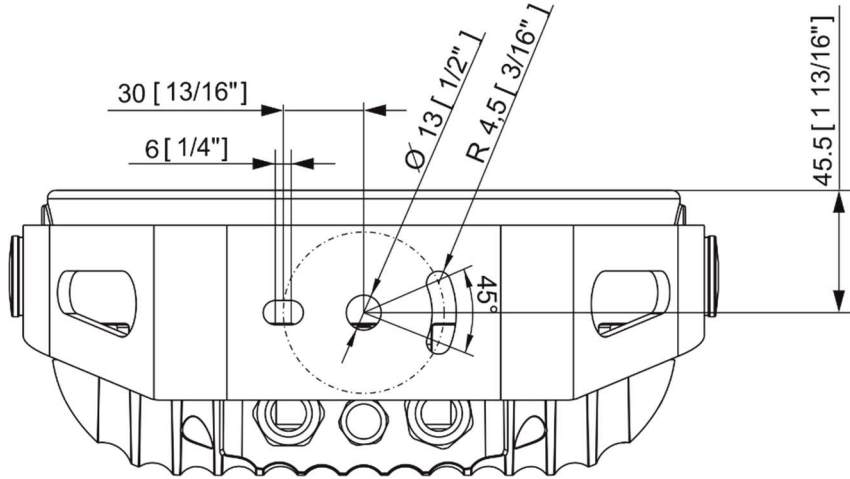


Max. number of Calummas Remote M SC/MC connected to the one output of the E-box Remote/E-box Remote Basic is 5.

4. Installation

4.1 Mounting the fixture

The Calumma Remote M can be fastened in any orientation on a flat, non-flammable surface by means of mounting yoke (2).



The LED module (4) can be tilted +180°/-180°. Use an Allen key 2.5 for adjusting a LED module position.

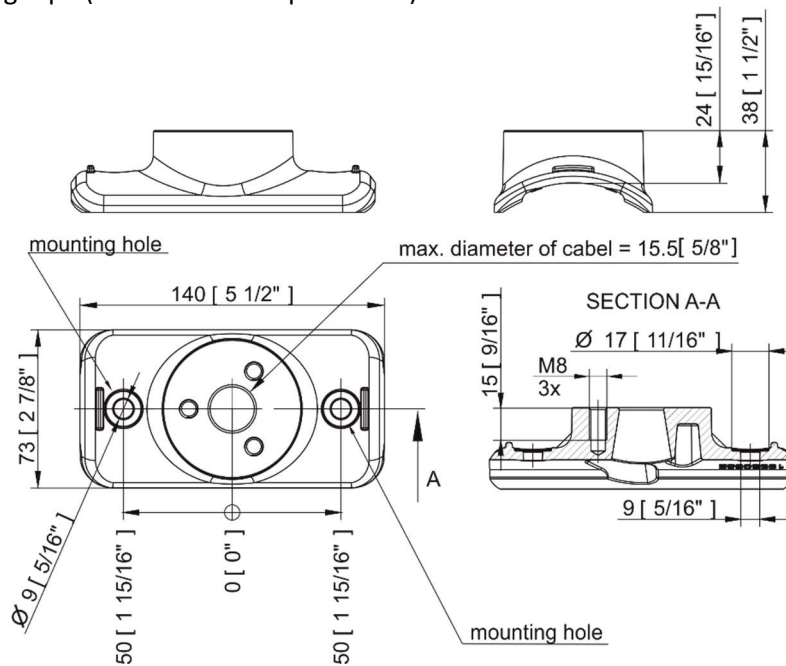
Ensure that the structure to which you are attaching the fixture is secure.

Mounting the fixture via the pole clamp adaptor

The pole clamp adaptor serves as a fastening element for Calumma Remote M on a pole of diameter of 76-116mm or on the flat pole. The Calumma Remote M has to be equipped with a modified mounting yoke (P/N 11418769) intended for this way of installation.

The pole clamp adaptor set includes: 1x pole clamp adaptor, 1x rubber cable gland, 3x Allen screw M8x20, 3x flat washer, 3x spring washer, 2x tube spacer.

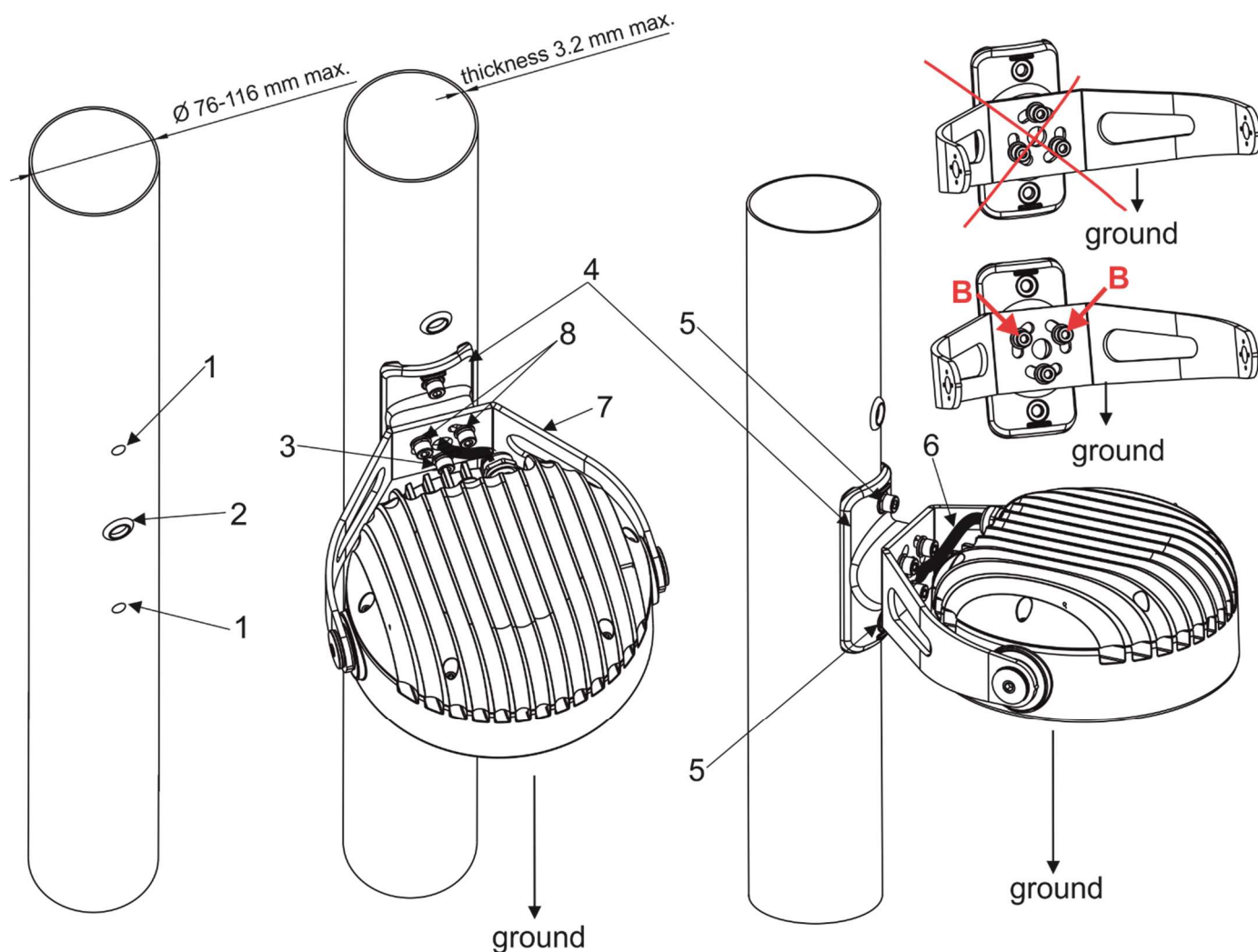
1. The pole clamp adaptor can be screwed on the pole by means of two screws or fixed by means of a steel clamping tape (max. width of tape=20mm).



Calumma Remote M

If you use two screws for fastening the pole clamp adaptor on the pole, drill two holes (1) for fastening the pole clamp adaptor on the pole. Diameter of holes depends on material of pole and used screws. Be sure that fastening of the pole clamp adaptor is secure to keep weight of Calumma remote M.

2. Drill the hole (2) for rubber cable gland (diameter of hole=20mm, max. thickness of pole wall= 3.2mm), make drilled hole edges clean (without burrs) and insert the rubber gland into the hole.



3. Screw the pole clamp adaptor (4) on the pole by means of two screws (5) with spring washers or use a steel clamping tape for fastening the pole clamp adaptor on the pole. In case of screwing the pole clamp adaptor (7) on a flat surface (pole), two pole spacers have to be inserted under two mounting holes of the pole clamp adaptor (on fastening screws (5)) to fill up space between the pole and the pole clamp adaptor
4. Pass the Calumma Remote M cable (6) through mounting yoke (7), pole clamp adaptor (4) and through cable gland (2) into the pole.
5. Screw the Calumma Remote M mounting yoke (7) on the pole clamp adaptor (4) by means of three Allen screws M8x20 (3) with washers (Allen screw + spring washer+ flat washer). Keep correct orientation of the fastening screws (3) as drawn on the picture – two screws (B) have to aim upwards, one screw has to be orientated towards ground.

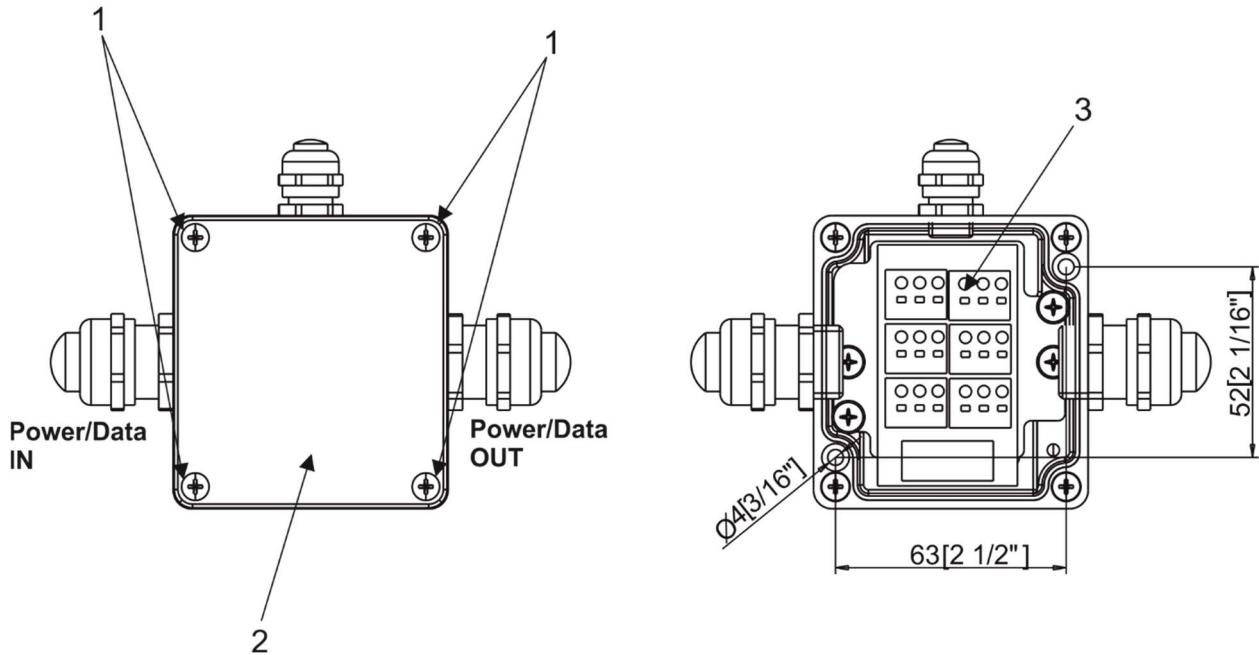
NOTE. Three mounting openings in the mounting yoke allow positioning of the mounting yoke.

4.2 Connection to power

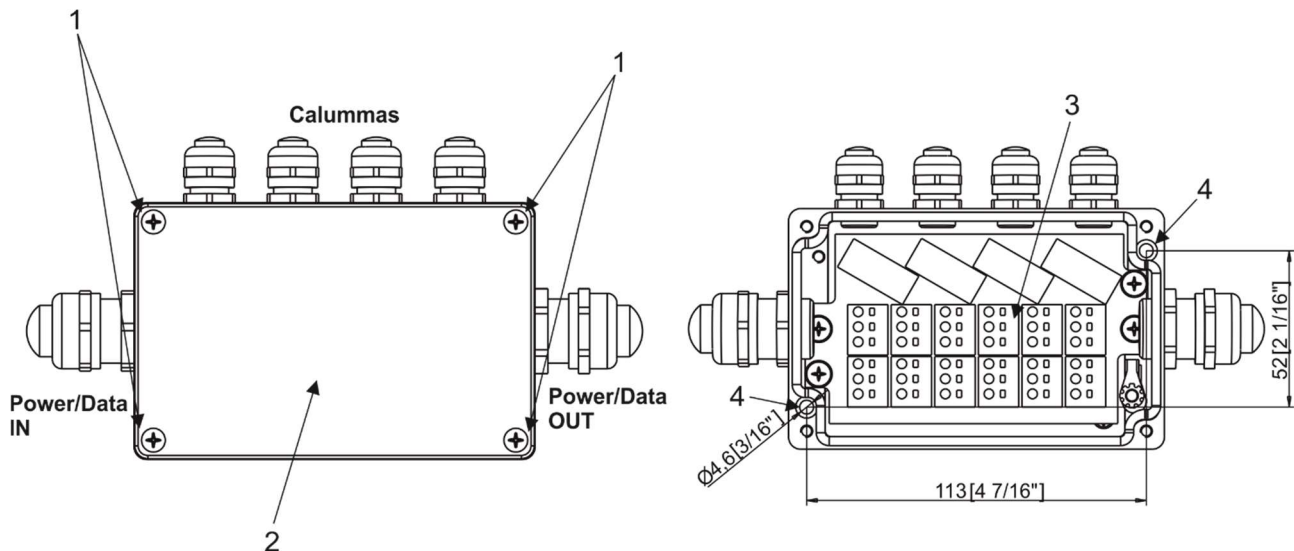
The unit must be installed by a qualified electrician in accordance with all national and local electrical and construction codes and regulations.

3.2.1 Junction box installation

Junction box with one output



Junction box with four outputs



1. Unscrew the four screws (1) from the cover (2) on the junction box to get access to the DPS with terminal blocks (3) and two mounting holes (4).

2. Screw the junction box on a non-flammable flat surface.

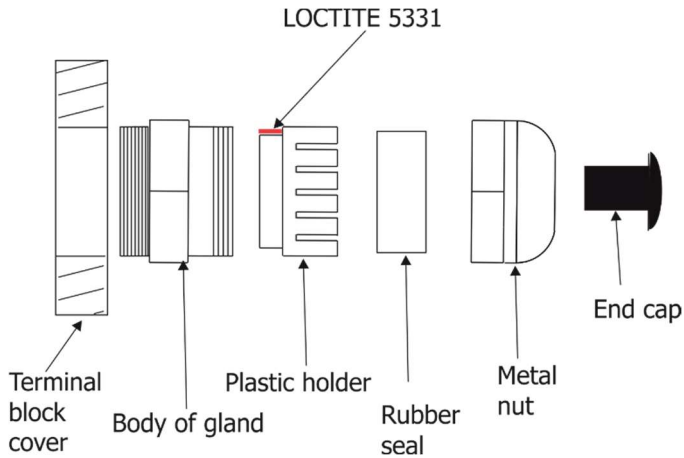
3. Connect cables to terminal blocks.

Two cable glands M20 x 1.5 serves for a power/data cable. One (or four) cable gland M12 x 1.5 serves for Calumma Remote M connection cable.

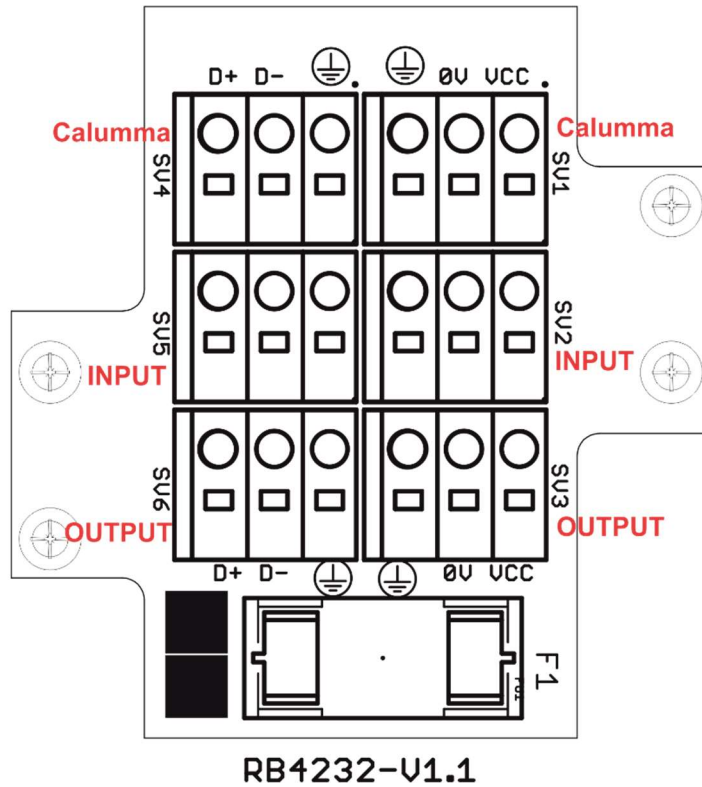
Remove the end cap from the cable gland before passing the cable.

We recommend to apply an adequate layer of the paste LOCTITE 5331 on the plastic holder of the cable gland before inserting it into the body of the gland.

Cable gland M20x1.5 and M12x1.5



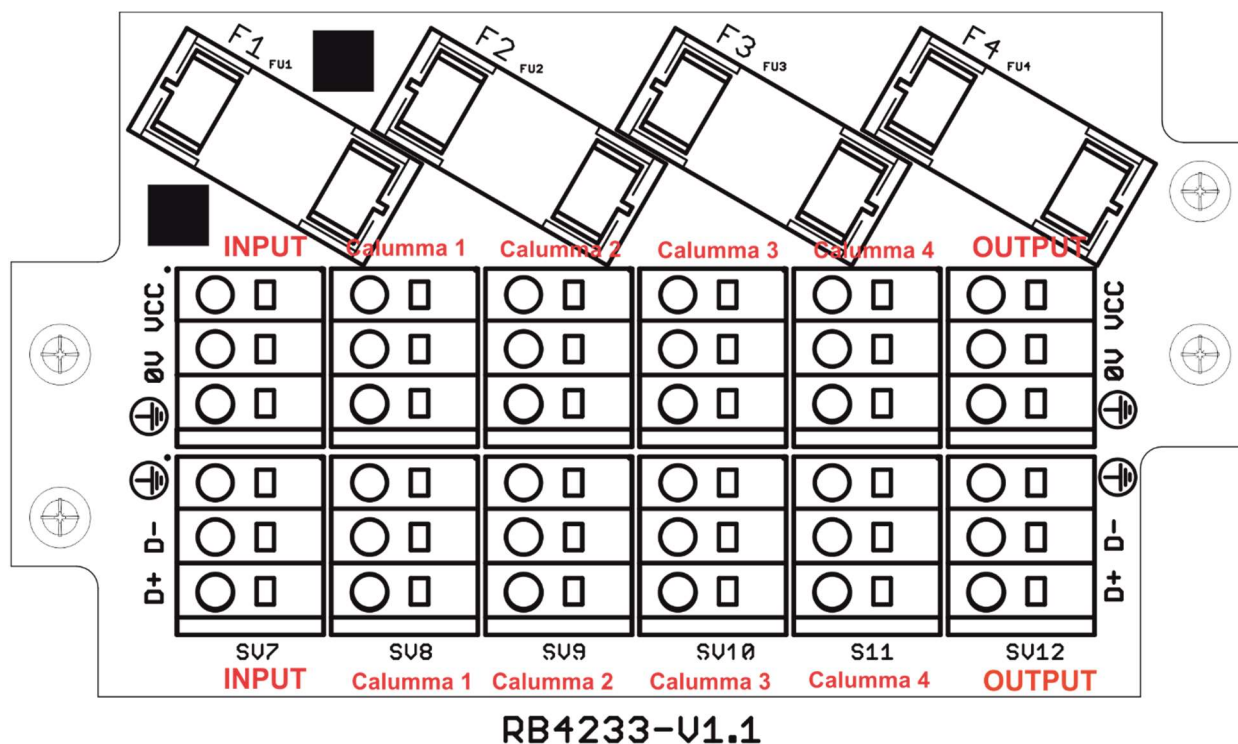
Wiring of connection blocks on DPS RB4232 in the junction box with one LED output.



Fuse F1: 2A/500V AC.

Calumma Remote M

Wiring of connection blocks on DPS RB4233 in the junction box with four LED outputs.



Fuse F1-F4: 2A/500V AC.

Calumma Remote M connection:

Connector	Vcc	D+	D-	0V	⊥
Function	LEDs +	Data +	Data -	LEDs -	Not connected
Colour of wire	Red	Orange	White	Black	

Colours of wires apply to the 5-cored cable UL 20969 5x 20AWG (P/N 13053481)

Connection between junction box and E-box Remote and among junction boxes:

Connector	Vcc	D+	D-	0V	⊥
Function	LEDs +	Data +	Data -	LEDs -	Not connected
Colour of wire	Red	Orange	White	Black	

Colours of wires apply to the 5-cored cable SJTW 5x 14AWG (P/N 1305 3336).

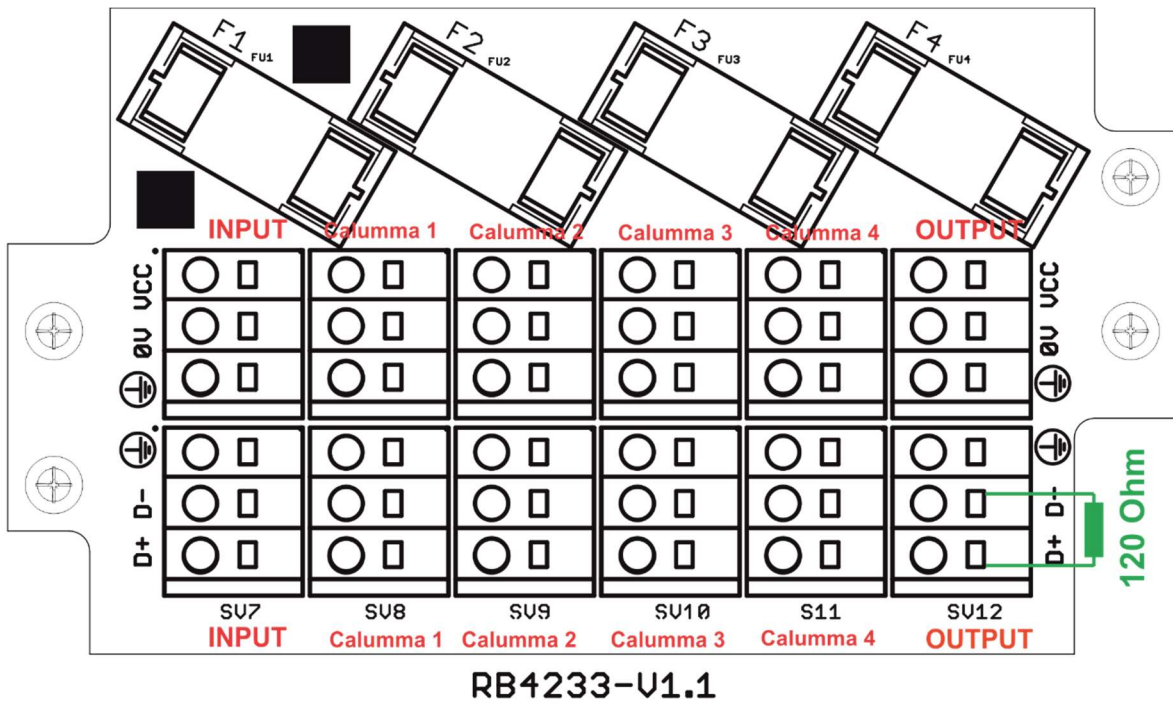
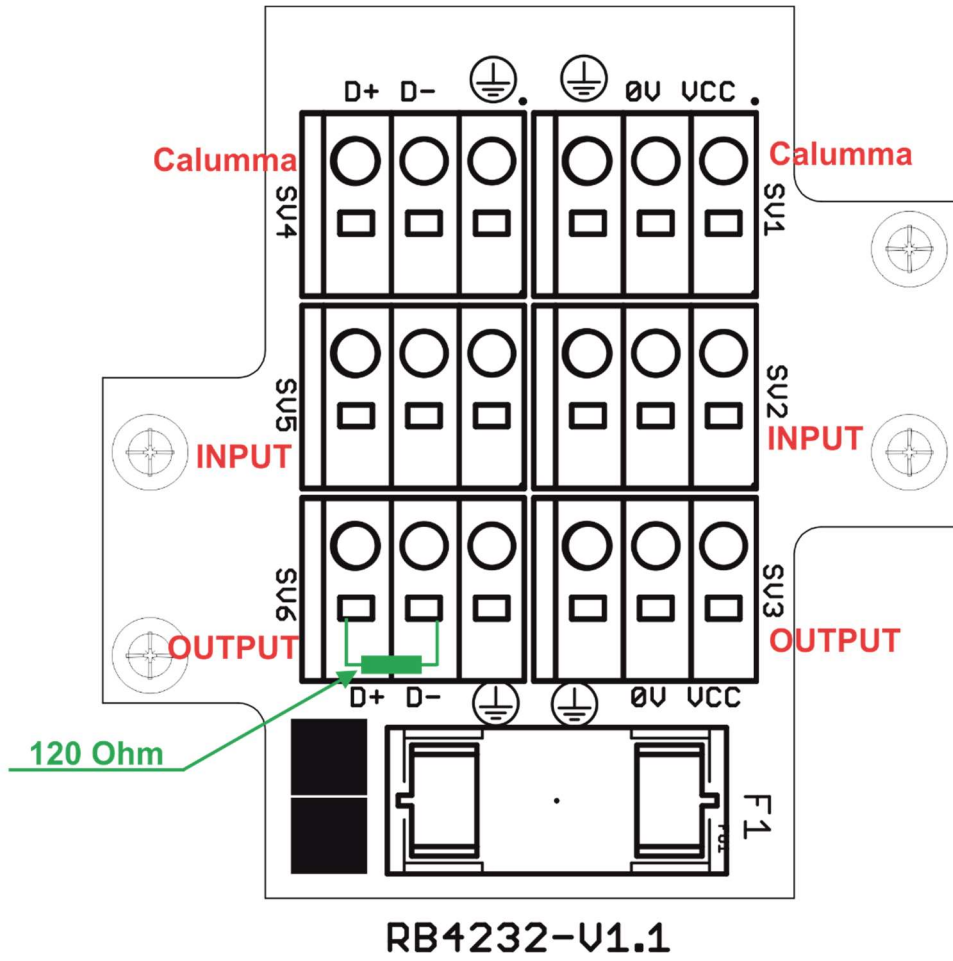
⚠ NOTE: Each line of Calummas Remote M connected to the LED output of the E-box Remote has to be terminated at the last fixture.

EITHER connect a 120 Ohm resistor between terminals D+ and D- in the last fixture,
OR terminate via RDM as described in the E-box Remote user manual.

Ensure **ONLY** the last fixture in the line is terminated using **ONE** of the above methods!

Examples

Termination via 120 Ohm resistor



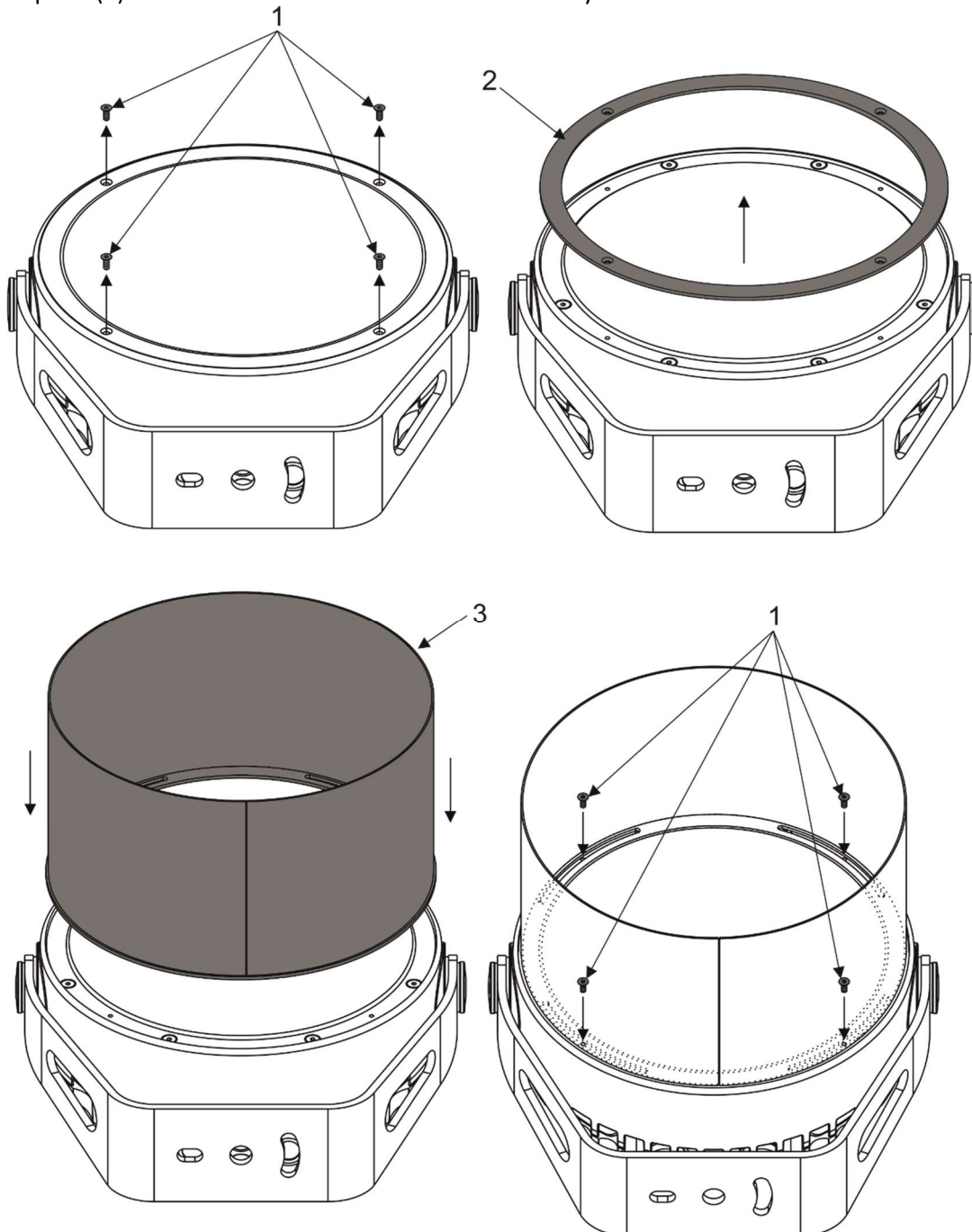
Termination via RDM:



4. Screw the cover (2) back on the junction box.

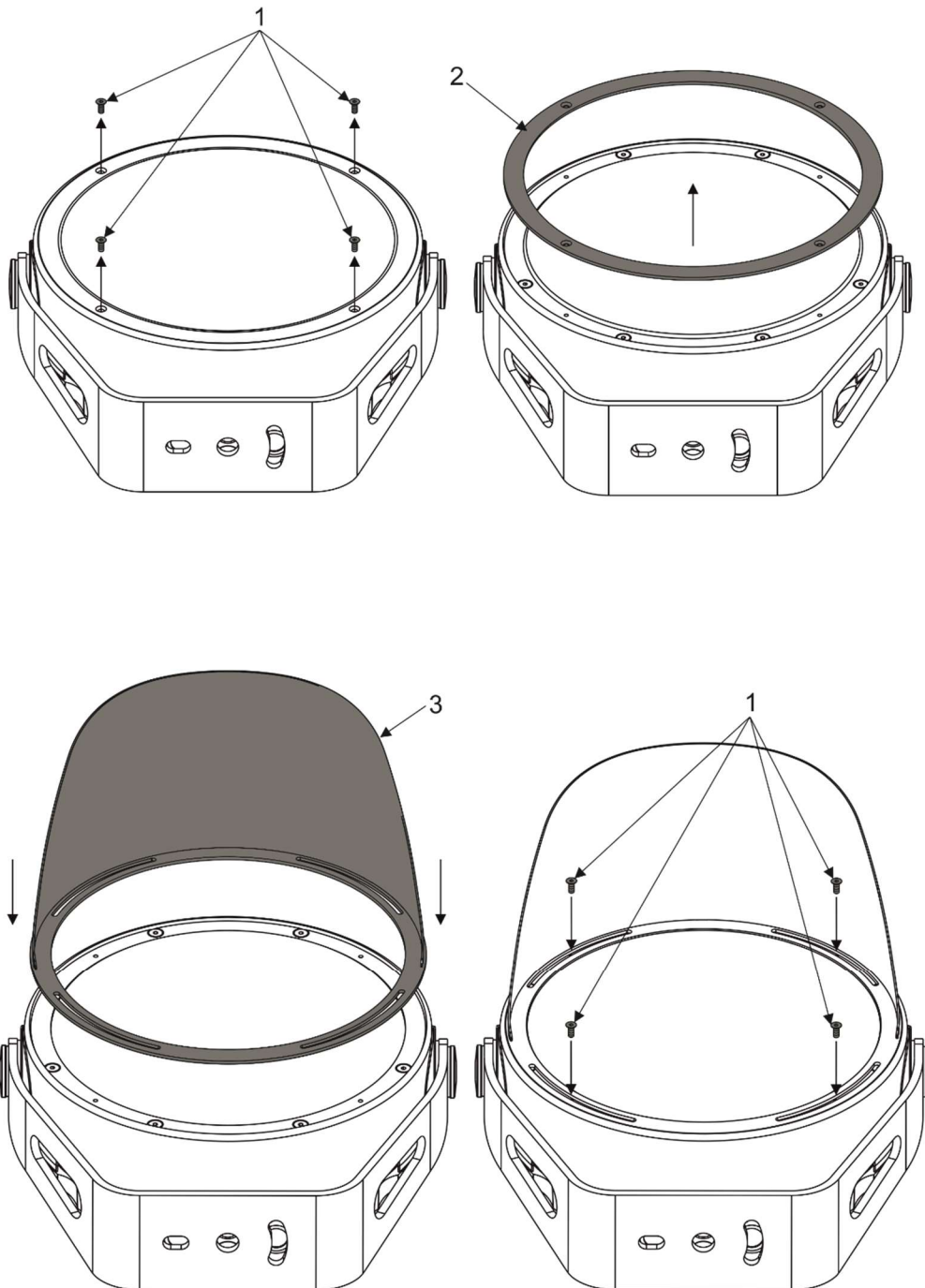
4.3 Top hat installation

1. Unscrew the four flat-head screws M3x8 (1) from the front of the Calumma Remote M and remove the flange (2).
2. Place the top hat (3) on the Calumma Remote M and screw it by means of the four flat-head screws M3x8 (1).



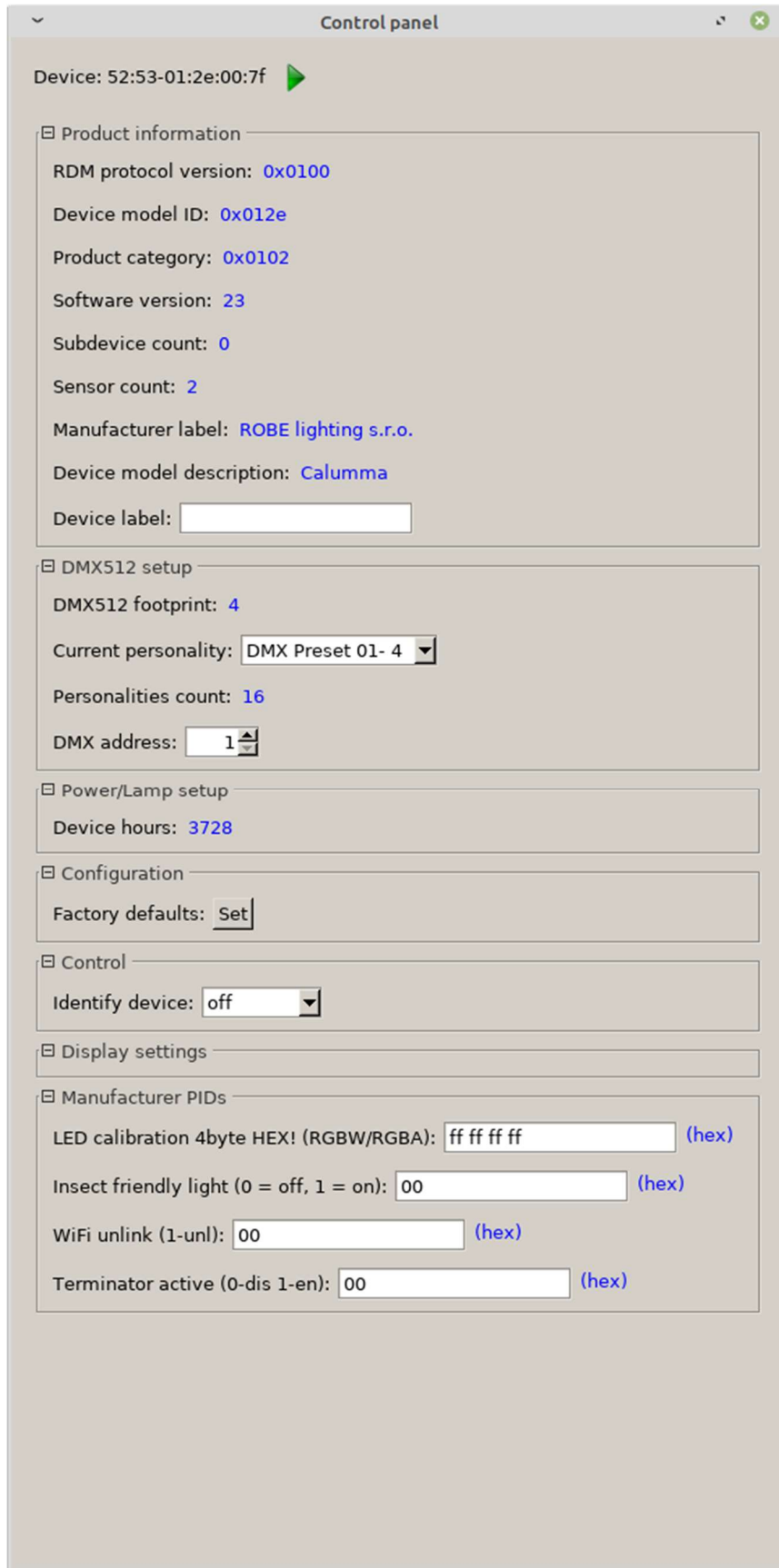
4.4 Half top hat installation


1. Unscrew the four flat-head screws M3x8 (1) from the front of the Calumma Remote M and remove the flange (2).
2. Place the half top hat (3) on the Calumma Remote M and screw it by means of the four flat-head screws M3x8 (1).



4.5 Example of Control panel in RDM manager

The software RDM manager is available on the ROBE website (<https://www.robe.cz/support>), product RUNIT WTX.



Green arrow  saves changes made in the Control panel to the Calumma.

Manufacturer PIDs

LED calibration 4byte HEX! (RGBW/RGBA) - the item shows 4 bytes of calibration values for calibrated white colours of RGBW(RGBA) Calumma.

E.g.



CTC channel has to be set to some calibrated white colour (21 DMX-1800K, 66 DMX-2700K, 91 DMX-3200K, 141 DMX-4200K, 211 DMX-5600K, 255 DMX-6500K) otherwise the item shows values "ff ff ff ff" (and calibration values cannot be saved to the Calumma).

Warning!

Changing and saving values in this item will effect calibrated white colour(s) of the Calumma .

Insect friendly light - the item effects RGBA Calumma only. If the item is on, blue colour is not used in calibrated white colours. This modification of white lights results in a smaller attraction of white light for insects (mosquitos, moths..). The function is also available from DMX chart (channel Special Function, range 7-10 DMX).

WiFi unlink - the item is inactive for the Calumma Remote M.

Terminator active - the item allows you to terminate line of Calummas.

5. Software update

Software update of Calumma Remote M modules has to be done by means of the software ROBE Uploader running on PC.

The ROBE Uploader is a software for automatized software update of ROBE fixtures. The ROBE Uploader switches Calummas Remote M to the update mode automatically.

Please see <https://www.robe.cz/robe-uploader/> for more information.

The Calummas Remote M have to be operated in the Pass-Through mode only.

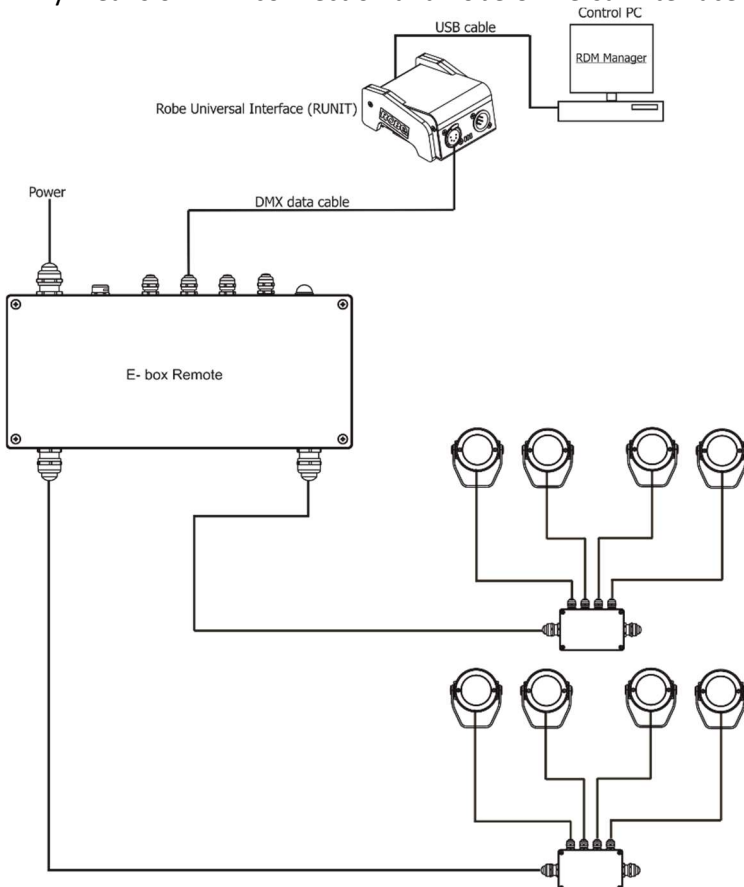
To update Calummas Remote M including the E-box Remote.

1. Update connected LED modules by means of the file Calumma.lib in the ROBE Uploader.
2. Set the E-box Remote to the Standard mode and switch it off/on. Use the file EminereEbox.lib in the ROBE Uploader for software update of the E-box Remote.
3. After updating the E-box Remote, set the E-box Remote to the Pass-Through mode and switch it off/on.

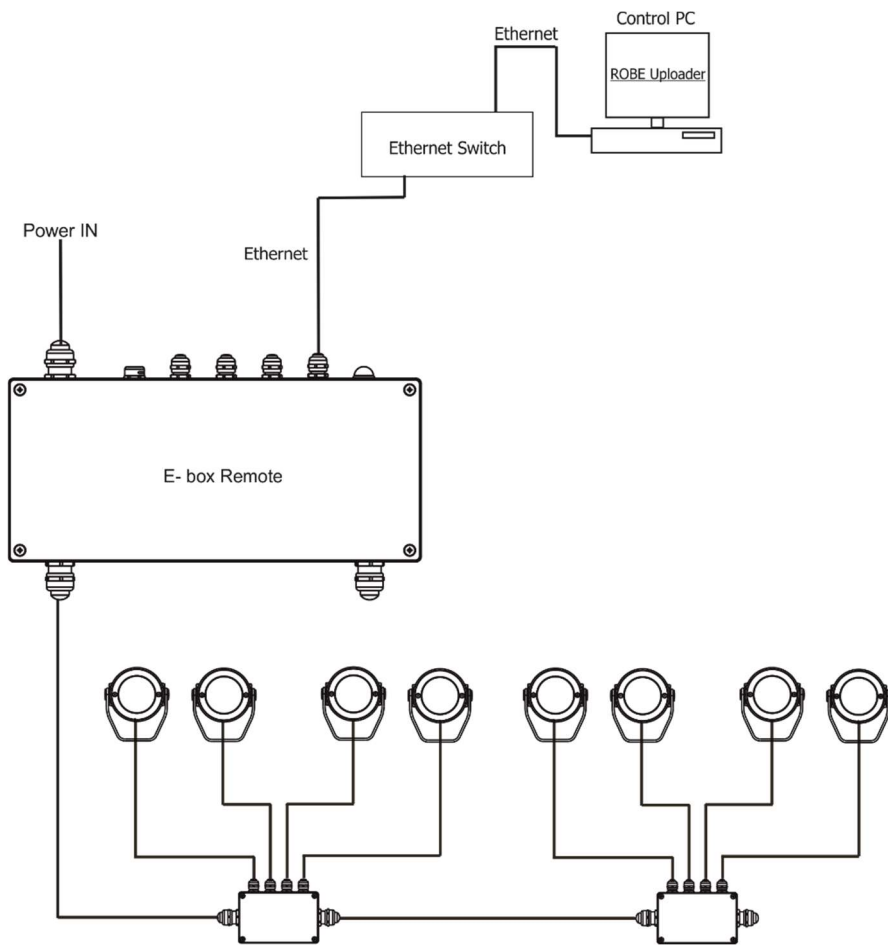
For more information about updating please see the E-box Remote user manual and E-box Remote Base user manual.

Examples of connection for software update

1. By means of DMX connection and Robe Universal Interface.



2. By means of the Ethernet connection



6. Technical specifications

Power supply

- Input voltage: 48V
- Power consumption:
 - Calumma Remote M MC: 65 W
 - Calumma Remote M SC: 60 W

Optic

- Light source:
 - Calumma Remote M MC: 7 x high power multichip LEDs
 - Calumma Remote M SC: 37 x high power single chip LEDs
- Colour variants: RGBW (W - 6500 K), RGBA, PW (W - 3000 K)
- Beam Angle Calumma Remote M MC:
 - Symmetrical: 9°, 15°, 25°, 30°, 45°, 65°, 100°
 - Bi-symmetrical: 10° x 30°, 30° x 10°, 10° x 60°, 60° x 10°, 15° x 45°, 45° x 15°, 15°x90°, 90°x15°, 30°x60°, 60°x30°, 30°x90°, 90°x30°
- Beam Angle Calumma Remote M SC:
 - Symmetrical: 10°, 15°, 25°, 30°, 45°, 65°, 100°
 - Bi-symmetrical: 10° x 30°, 30° x 10°, 10° x 60°, 60° x 10°, 15° x 45°, 45° x 15°, 15°x90°, 90°x15°, 30°x60°, 60°x30°, 30°x90°, 90°x30°
- Projected Lumen Maintenance: L90B10 >90.000 hrs, Ta = 25°C / 77°F

Compatible drivers

- E-box Remote
- E-box Remote Basic

Mounting method

- Via yoke
- Adjustability: -180°/+180°

Housing

- High pressure die-cast aluminium body
- Tempered glass

Cooling system

- Convection

Total heat dissipation

- Calumma Remote M MC: 166 BTU/h (calculated)
- Calumma Remote M SC: 153 BTU/h (calculated)

Protection factor

- CE: IP 67 (IP 66 junction box)
- US: Suitable for wet location

Impact rating

- IK10

Operating ambient temperature range

- -20°C /+40°C (-4°F /+104°F)

Operating temperature

- +67°C @ Ambient +40°C (+153°F @ Ambient +104°F)

Calumma Remote M

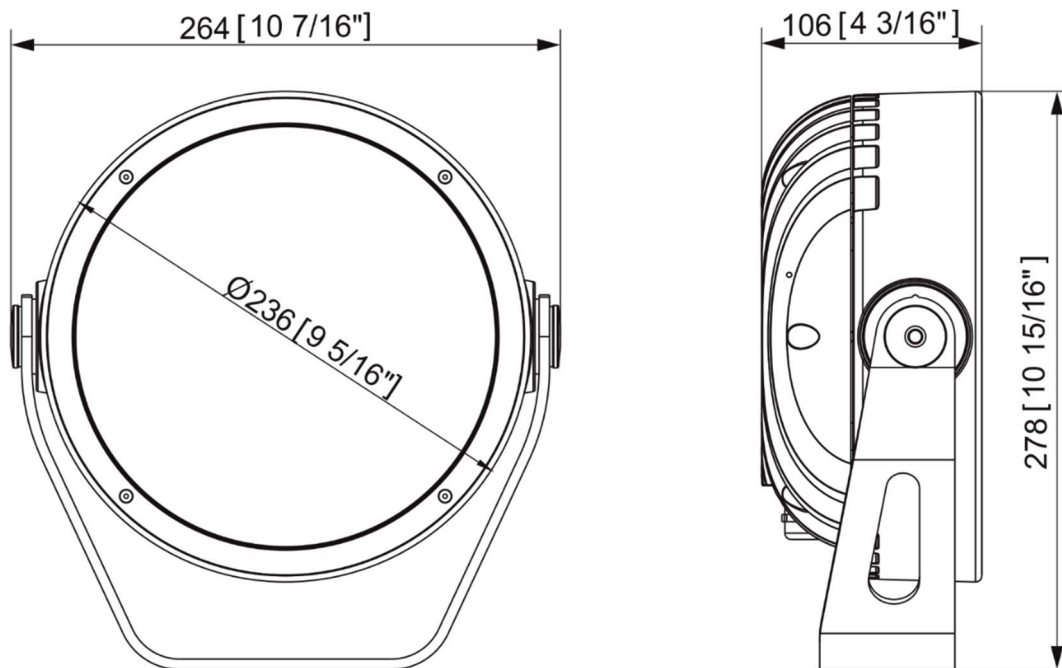
Connection

- Via E-box Remote/E-box Remote Basic
Calumma IN: cable UL 20969 5x 20AWG (P/N 13053481), length 1m standard
Interconnecting cable between junction boxes: SJTW 5x 14AWG (P/N 13053336)
Junction Box for Calumma XS, (1x Output)
Junction Box for Calumma XS, (4x Output)

Weight

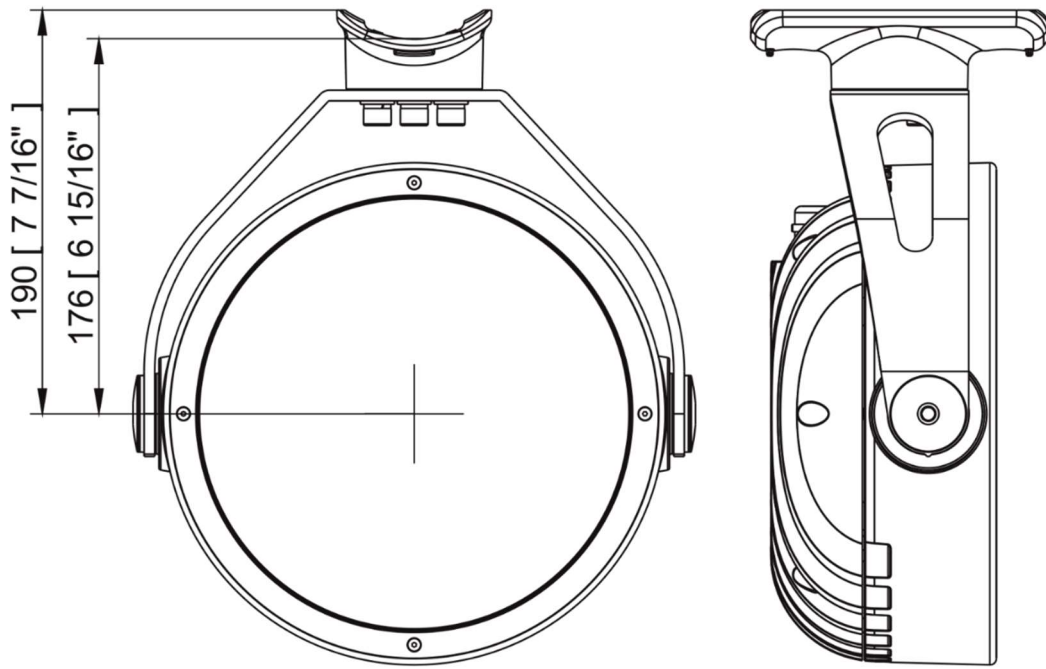
- Calumma Remote M SC: 5.56 kg (12.3 lbs)
- Calumma Remote M MC: 5.43 kg (12 lbs)

Dimensions (All dimensions in mm [inch])

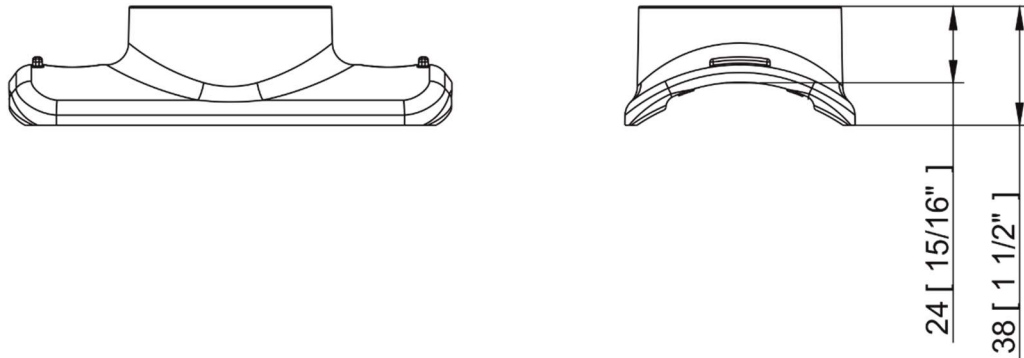


Calumma Remote M

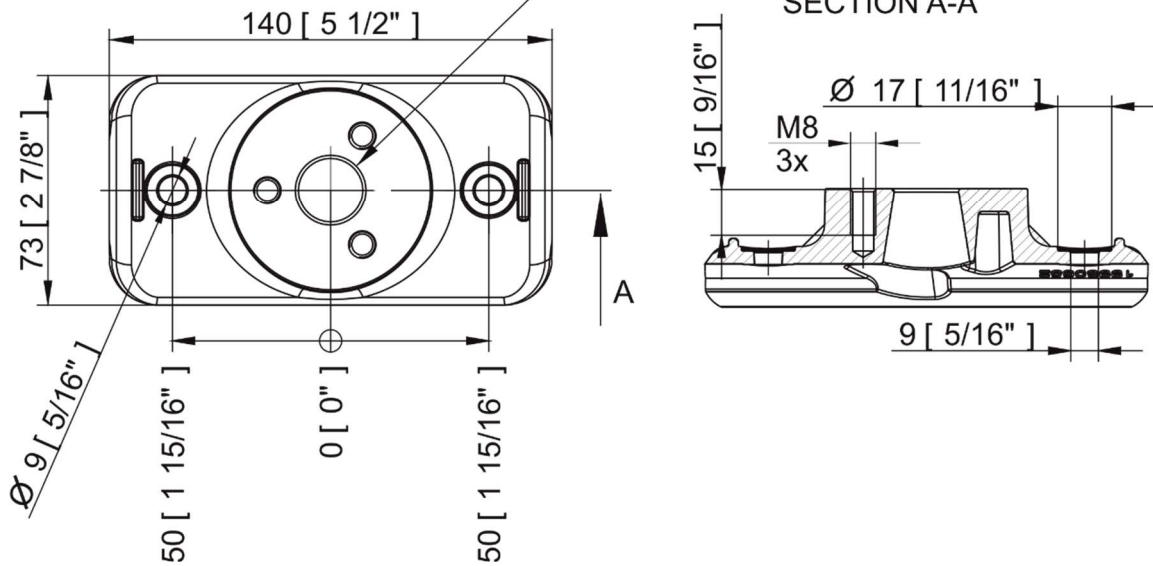
Calumma Remote M with Pole clamp adaptor



Pole clamp adaptor for Calumma

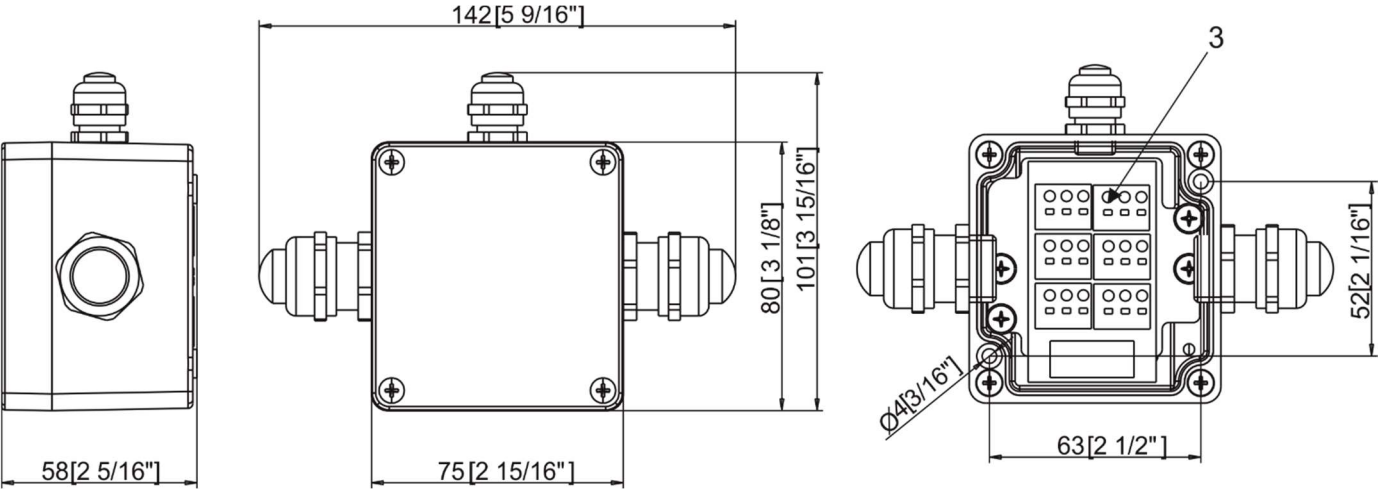


max. diameter of cabel = 15.5 [5/8]

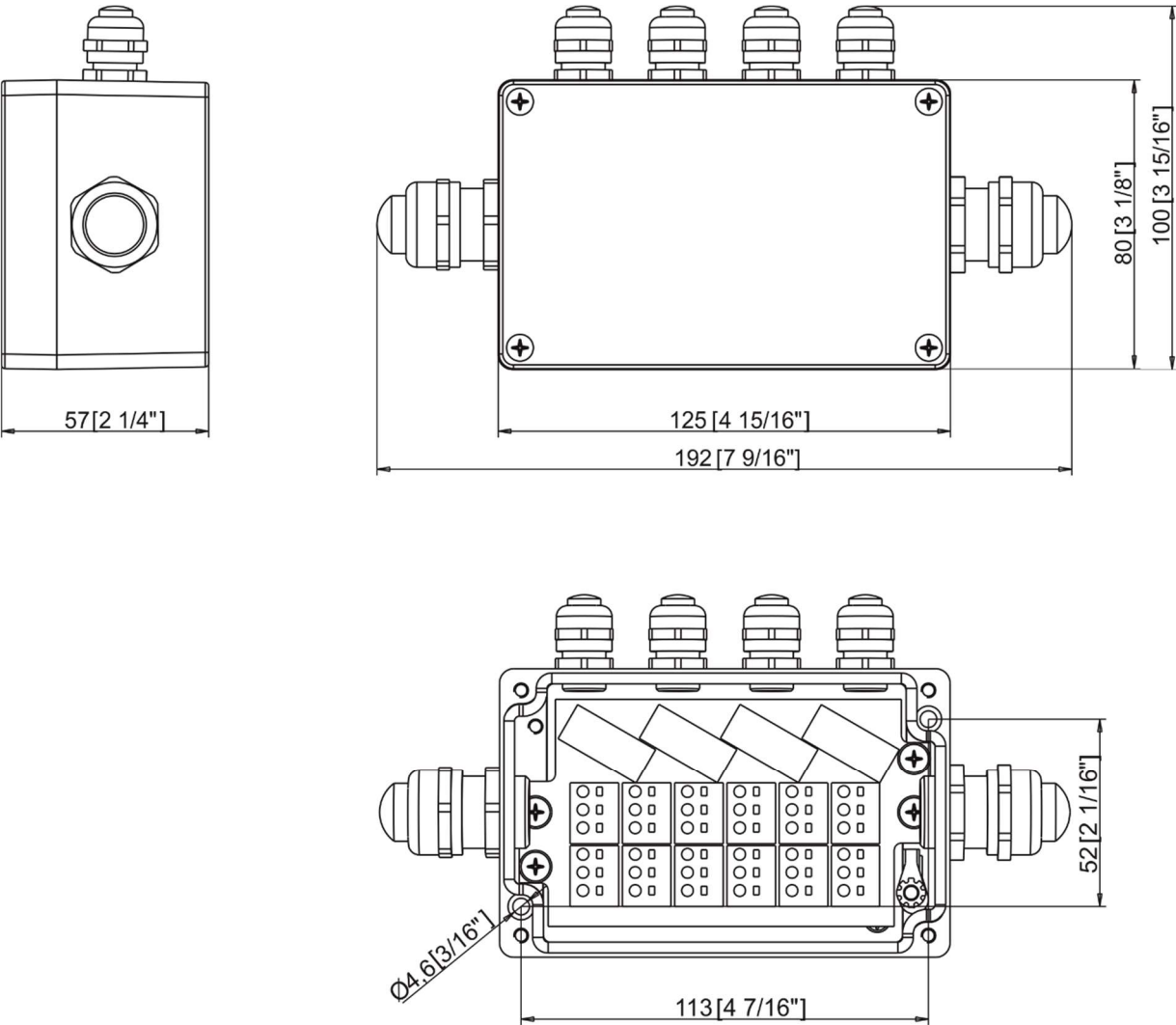


Calumma Remote M

Junction box with one output



Junction box with four outputs



Included items

- 1 x Calumma Remote M MC / Calumma Remote M SC
- 1 x User manual

Optional accessories

Junction Box for Calumma XS, 1x Output, Ral 9011 (P/N 10980715)
 Junction Box for Calumma XS, 4x Output, Ral 9011 (P/N 10980716)
 Half Top Hat Calumma M RAL9011 (P/N 10980723)
 Pole clamp adaptor for Calumma RAL 9011 (P/N 10980783)
 Tenon Adaptor for Calumma M
 Pole Mount Bracket for Calumma M
 Floor Stand for Calumma S, M

7. Cleaning and maintenance

DANGER !
Disconnect from the mains before starting any maintenance or cleaning work

Rinse off loose dirt with low pressure water spray. Wash the housing with a soft brush or sponge and a mild, non-abrasive washing detergent. Rinse it.

Maintenance and service operations are only to be carried out by a qualified person.

Should you need any spare parts, please use ROBE OEM parts.

7.1 Disposing of the product

To preserve the environment please dispose or recycle this product at the end of its life according to the local regulations and codes.

8. ChangeLog

This section summarizes changes in the user manual.

Version of manual	Date of issue	Description of changes
1.1	23/01/2024	Control panel of RDM manager added, DMX chart ver. 1.3
1.2	16/02/2024	Notice about Protection class III added to Safety instructins

Specifications are subject to change without notice.

February 16, 2024

Copyright © 2024 Robe Lighting - All rights reserved

Made in CZECH REPUBLIC by ROBE LIGHTING s.r.o. Palackeho 416/20 CZ 75701 Valasske Mezirici

DMX protocol for Calumma - All sizes - MC and SC

Version: 1.3 (16 modes in total)

Mode/Channels in all								Mode 1- RGBW(A)-8bit, Mode 2- RGB 8-bit, Mode 3- full RGBW(A)	
1	2	3	4	5	6	7	8-10	Mode 4- White-full control, Mode 5- Reduced RGBW(A)	
4	3	12	3	6	8	15	Reserved	Mode 6- Reduced RGBW(A)+white control, Mode 7- Full control	
								Mode 7-Full RGBW(A)+virt. Colour wheel	
								RGBW/RGBA/RGB modes	
Mode/channels							DMX Value	Function	Type of control
1	2	3	4	5	6	7			
-	-	-	-	-	-	1		Special functions	
							0	No function	step
								<i>To activate following functions , stop in DMX value for at least 3 sec.</i>	
							1-2	Save current DMX values to fixture as initial DMX values.	step
							3-4	Show saved initial DMX values	step
							5-6	Run factory demo sequences at switching fixture on (without DMX)	step
							7-8	Insect friendly light On (RGBA version only)	step
							9-10	Insect friendly light Off (RGBA version only)	step
							11-255	Reserved	
1	1	1	-	1	1	2		Red	
							0 - 255	Red LEDs saturation control (0-100%)	proportional
-	-	2	-	-	-	3		Red Fine	
							0 - 255	Red LEDs saturation control fine	proportional
2	2	3	-	2	2	4		Green	
							0 - 255	Green LEDs saturation control (0-100%)	proportional
-	-	4	-	-	-	5		Green Fine	
							0 - 255	Green LEDs saturation control fine	proportional
3	3	5	-	3	3	6		Blue	
							0 - 255	Blue LEDs saturation control (0-100%)	proportional
-	-	6	-	-	-	7		Blue Fine	
							0 - 255	Blue LEDs saturation control fine	proportional
4	-	7	-	4	4	8		White (Amber)	
							0 - 255	White LEDs saturation control (0-100%)	proportional
-	-	8	-	-	-	9		White (Amber) Fine	
							0 - 255	White LEDs saturation control fine	proportional
-	-	9	1	-	5	10		Green correction	
							0	Uncorrected white	step
							1-127	Minus green - uncorrected white	proportional
							128	Uncorrected white (128=default)	step
							129-255	Uncorrected white - Plus green	proportional
-	-	10	2	-	6	11		Colour temperature correction (CTC)	
							0	No function	step
							1 - 10	Tungsten dimming 2700 K	step
							11 - 20	Tungsten dimming 3200 K	step
							21-255	Colour temperature changing from 1800 K --> 6500 K (21-1800K, 66-2700K, 91-3200K,141-4200K, 211-5600K, 255-6500K)	proportional
-	-	-	-	-	-	12		Virtual Colour Wheel	
							0	No function	step

DMX protocol

Mode/channels							DMX Value	Function	Type of control
1	2	3	4	5	6	7			
							1-2	White 1800 K	step
							3-4	White 2700 K	step
							5-6	White 3200 K	step
							7-8	White 4200 K	step
							9-10	White 5600 K	step
							11-12	White 6500 K	step
							13	Blue (Blue=full, Red+Green+White/Amber=0)	step
							14-23	Red=0, Green->up,Blue =full, White/Amber=0	proportional
							24	Cyan (Red=0, Green=full, Blue =full, White/Amber=0)	step
							25-34	Red=0, Green=full, Blue->down, White/Amber=0	proportional
							35	Green (Red=0, Green=full, Blue =0, White/Amber=0)	step
							36-45	Red->up, Green=full, Blue=0, White/Amber=0	proportional
							46	Yellow (Red=full, Green=full, Blue=0, White/Amber=0)	step
							47-56	Red=full, Green->down, Blue=0, White/Amber=0	proportional
							57	Red(Red=full, Green=0, Blue=0, White/Amber=0)	step
							58-67	Red=full, Green=0, Blue->up, White/Amber=0	proportional
							68	Magenta (Red=full, Green=0, Blue=full, White/Amber=0)	step
							69-78	Red -> down, Green=0, Blue=full, White/Amber=0	proportional
							79	Blue (Red=0, Green=0, Blue=full, White/Amber=0)	step
								Transition effects	
							80-87	Rainbow effect (with fade time) from slow-> fast	proportional
							88-95	Rainbow effect (without fade time) from slow-> fast	proportional
							96-103	Full dynamic white (1800K->6500K->1800K) (with fade time) from slow-> fast	proportional
							104-111	Full dynamic white (1800K->6500K->1800K) (without fade time) from slow-> fast	proportional
							112-119	Dynamic warm white (1800K-3000K-1800K) (with fade time) from slow-> fast	proportional
							120-127	Dynamic warm white (1800K-3000K-1800K) (without fade time) from slow-> fast	proportional
							128-135	Rainbow effect + full dynamic white (with fade time) from slow-> fast	proportional
							136-143	Rainbow effect + full dynamic white (without fade time) from slow-> fast	proportional
							144-151	Blue/Green effect (with fade time) from slow-> fast	proportional
							152-159	Blue/Green effect (without fade time) from slow-> fast	proportional
							160-167	Red/Blue effect (with fade time) from slow-> fast	proportional
							168-175	Red/Blue effect (without fade time) from slow-> fast	proportional
							176-183	Green/Red effect (with fade time) from slow-> fast	proportional
							184-191	Green/Red effect (without fade time) from slow-> fast	proportional
							192-199	Blue/4000K effect (with fade time) from slow-> fast	proportional
							200-207	Blue/4000K effect (without fade time) from slow-> fast	proportional
							208-215	Green/4000K effect (with fade time) from slow-> fast	proportional
							216-223	Green/4000K effect (without fade time) from slow-> fast	proportional
							224-231	Red/4000K effect (with fade time) from slow-> fast	proportional
							232-239	Red/4000K effect (without fade time) from slow-> fast	proportional
						13		Shutter/Strobe	
							0-31	Shutter closed	step
							32-63	Shutter open	step
							64-95	Strobe-effect from slow to fast	proportional

DMX protocol

Mode/channels							DMX Value	Function	Type of control
1	2	3	4	5	6	7			
							96-127	Shutter open	step
							128-143	Opening pulse in sequences from slow to fast	proportional
							144-159	Closing pulse in sequences from fast to slow	proportional
							160-191	Shutter open	step
							192-223	Random strobe-effect from slow to fast	proportional
							224-255	Shutter open	step
-	-	11	3	5	7	14		Dimmer	
							0 - 255	Light intensity coarse (0-100%)	proportional
-	-	12	-	6	8	15		Dimmer Fine	
							0 - 255	Light intensity fine	proportional
Copyright © 2022-2024 Robe Lighting s.r.o. - All rights reserved									
All Specifications subject to change without notice									

DMX protocol for Calumma - All sizes - MC and SC					
Version: 1.3 (16 modes in total)					
Mode/Channels in all				TW Modes: Mode 11- White selection + Dimmer, Mode 12- WW + CW	
11	12	13	14-16	PW Mode: Mode 13- Dimmer	
3	4	2	Reserved		
TW and PW modes					
Mode/channels			DMX Value	Function	Type of control
11	12	13			
1	-	-	0 - 255	White colour selection White from 2700 K - 6500 K	proportional
-	1	-	0 - 255	Warm White Warm White LEDs saturation control (0-100%)	proportional
-	2	-	0 - 255	Cool White Cool White LEDs saturation control (0-100%)	proportional
2	3	1	0 - 255	Dimmer Light intensity coarse (0 - 100%)	proportional
3	4	2	0 - 255	Dimmer Fine Light intensity fine	proportional
Copyright © 2022-2024 Robe Lighting s.r.o. - All rights reserved					
All Specifications subject to change without notice					