

## AGAME™

The Agame luminaire is a multifunctional lighting solution with an IP67 rating, specifically crafted to accentuate the perimeters of windows and arches. This fixture, available in 8 W, produces a strikingly uniform monochromatic or RGBW / RGBA line of light, enhancing the aesthetic appeal of architectural facades. Additionally, the Agame luminaire has a 180° beam angle, ensuring wide and even light distribution across the intended area.



### KEY FEATURES

#### LED Output

Available in wide range of colour configurations (RGBW, RGBA), the high-efficiency LED modules of the Agame provides the highest possible luminous flux 122 lm.

With the equally homogenised light output is secured by precisely designed output optics, and the fixture provides a 90,000 hour LED lifetime guaranteeing a dependable performance.

#### Control

Thanks to our unique L3 (low light linearity) 18-bit dimming system, exceptionally smooth fade to black and colour mixing are now possible. The fixture's remote setting and device management is realised through E-Box Remote.

#### Installation

The durable cast aluminum body provides a compact, stylish and easy-to-mount solution. The fixtures physical dimensions are ø 107 x 58mm (ø 4.25 x 2.3 in.) and it weighs 0.45 kg (0.99 lbs).

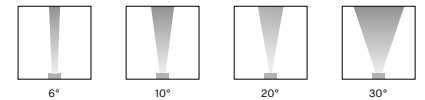
### COLOURS



RGBW

RGBA

### OPTIC OPTIONS - BEAM WIDTH



6°

10°

20°

30°

### CONTROL & PROTOCOLS



E-BOX  
REMOTE

### FINISH OPTIONS



Graphite  
Black

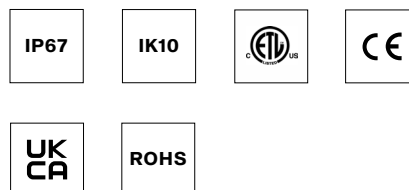
Silver

RAL

Custom  
Paint  
Colour

Harsh  
Environment

### STANDARD & SPECIFICATION



IP67

IK10

ENEC

CE

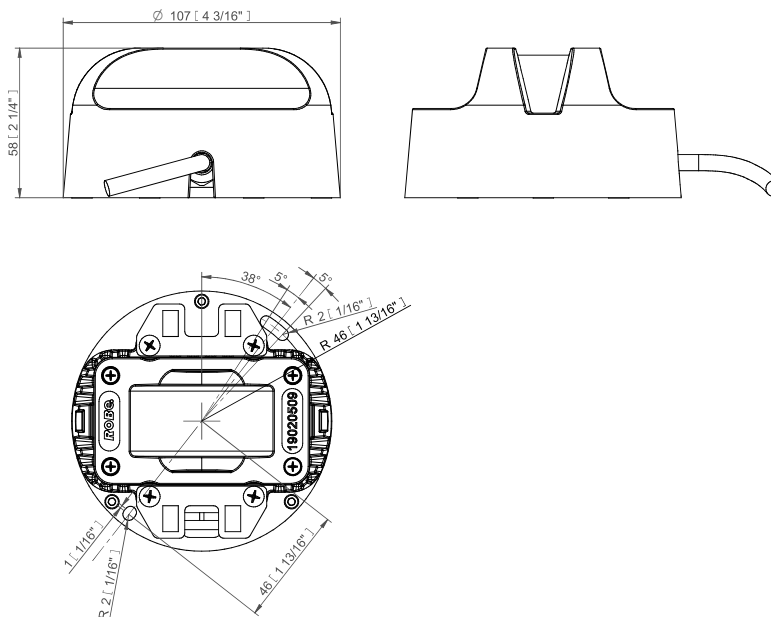
UK  
CA

ROHS

**SPECIFICATION**

|                               |   |   |      |
|-------------------------------|---|---|------|
| <b>ELECTRICAL</b>             | Input Voltage   | 48 V DC   |      |
|                               | Typical Power Consumption                                   | 8 W   |      |
| <b>OPTICAL</b>                | Light Source  | High Power Multi Chip LEDs  |      |
|                               | Colour Variants   | RGBW (W 6500 K)   | RGBA |
|                               | Beam Width  | 6°   10°   20°   30°  |      |
|                               | Lumen Output Delivered                                      | 122 lm (@ RGBW) <b>TBC</b>  |      |
|                               | Projected Lumen Maintenance                                 | L90B10 >90.000 hrs, Ta = 25°C / 77°F  |      |
| <b>CONTROL</b>                | Interface protocol  | E-box Remote Range  |      |
|                               | E-Box Remote control protocol                               | USITT DMX512/RDM, ArtNet, MA Net, MA Net2, sACN, Kling-Net                  |      |
|                               | Setting / addressing  | E-Box Remote range  |      |
|                               | Connectivity & Power Supply                                 | E-Box Remote range  |      |
| <b>PHYSICAL</b>               | Diameter x Heigh  | ø 107 x 58 mm ( ø 4.2 x 2.3 in.)  |      |
|                               | Weight  | 0.45 kg   0.99 lbs  |      |
|                               | Housing   | High Pressure Die-Cast Aluminium Body                                       |      |
|                               | Finish Options  | Standard Colour - Graphite Black (RAL 9011)   Silver (RAL 9006)             |      |
|                               |   | Cost Option - Custom RAL   Harsh Environment (RAL 9016, RAL 9011)           |      |
|                               | Cables / Connections  | <b>IN (standard, rear)</b><br>1m cable, bare end (custom length on request) |      |
|                               | Mounting Method   | Surface or Ceiling Mount  |      |
|                               | Protection Factor   | IP67 (IP66 Junction Box) / Suitable For Wet Locations                       |      |
|                               | IK Rating   | IK10  |      |
|                               | Cooling System  | Convection  |      |
| Operating Ambient Temperature | - 20 °C / +45 °C (-4 °F / +113 °F) <b>TBC</b>               |   |      |
| Operating Temperature         | +75 °C @ Ambient +35 °C (167 °F @ Ambient 95 °F) <b>TBC</b> |   |      |
| <b>CERTIFICATION</b>          | Listings  | ETL / cETL, CE, RoHS, UKCA  |      |
| <b>ACCESSORIES</b>            | <b>Not Included items</b>                                   |   |      |
|                               |   | Junction Box for Calumma XS (1x Output)                                     |      |
|                               |   | Junction Box for Calumma XS (4x Output)                                     |      |

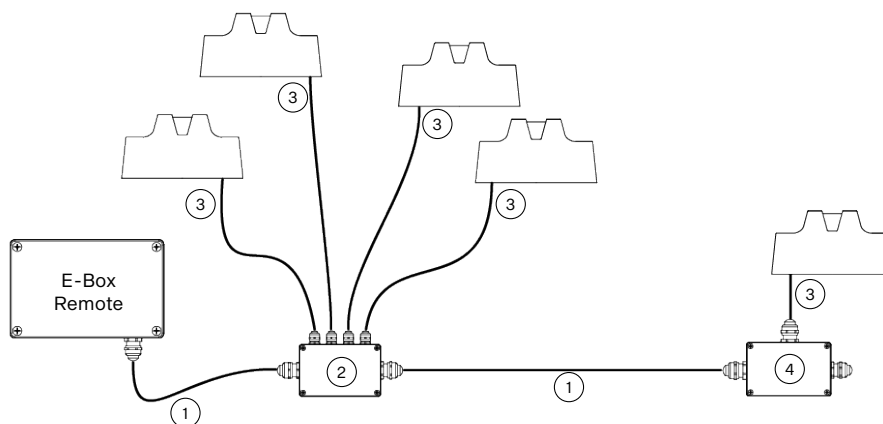
**DIMENSION**



**POSSIBLE CONNECTION SCHEME**

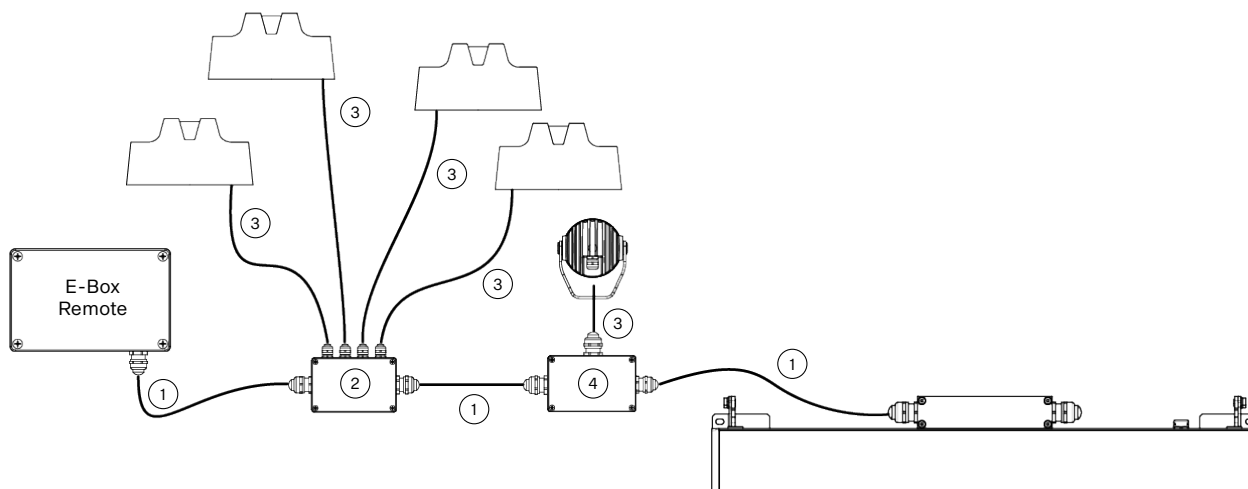
**Via E-Box REMOTE**

- 1) SJTW 5x 14AWG (1305 3336)
- 2) Junction Box for Calumma XS, (4x Output)
- 3) UL 20969 5x 20AWG (13053481)
- 4) Junction Box for Calumma XS, (1x Output)



**Via E-Box REMOTE (in combination with compatible luminaires)**

- 1) SJTW 5x 14AWG (1305 3336)
- 2) Junction Box for Calumma XS, (4x Output)
- 3) UL 20969 5x 20AWG (13053481)
- 4) Junction Box for Calumma XS, (1x Output)



**E-BOX REMOTE SPECIFICATION**

|                               |                                   |  |
|-------------------------------|-----------------------------------|--|
| <b>ELECTRICAL</b>             | Input Voltage                     | 120 – 277 V AC 50/60 Hz  |
|                               | Typical Power Consumption         | 480 W  |
| <b>CONTROL</b>                | Wireless DMX (Option)             | Lumen Radio CRMX Technology  |
|                               | Interface Protocol                | USITT DMX512+RDM, ArtNet, MA Net, MA Net2, sACN, Kling-Net   |
|                               | Operating Modes                   | Pixel (12 LEDs) or Fixture mode  |
|                               | Display                           | Via Two Row LCD Display with Control Buttons or RDM communicator   |
|                               | Control System                    | E-box With Self Addressing Feature or Custom Setting Via LCD Display/RDM   |
|                               | Power Supply                      | Integrated in E-box Remote   |
|                               | Connectivity                      | TBC  |
| <b>PHYSICAL</b>               | Length x Width x Height   Weight  | 360 x 210 x 91 mm (14.17 x 8.27 x 3.58 in.)   5.5 kg / 12.13 lbs   |
|                               | Number of LED Output zones        | 2  |
|                               | Max. Load Per Output              | 16 pcs of Eminere Remote 1 (50m cable) via 1 Output  |
|                               | Cable Length per E-Box            | Max. 25 m (@ 20 pcs)   Max. 50 m (@ 16 pcs)   Max. 75 m (@ 13 pcs)   Max. 100 m (@ 10 pcs)   |
|                               | Housing                           | Die-Cast Aluminium Case  |
|                               | Finish Options                    | Standard Colour - Graphite Black (RAL 9011)   Silver (RAL 9006)<br>Cost Option - Custom RAL   Harsh Environment (RAL 9016, RAL 9011) |
|                               | Cables / Connections              | Cable Grommet (stainless steel)  |
|                               | Mounting Method                   | Surface Mount, 4 Mounting Holes  |
|                               | Protection Factor                 | IP65 / Suitable For Wet Locations  |
|                               | IK Rating                         | IK10   |
|                               | Cooling System                    | Convection   |
| Operating Ambient Temperature | -20 °C / +40 °C (-4 °F / +104 °F) |  |
| <b>CERTIFICATION</b>          | Listings                          | ETL / cETL, CE, RoHS, UKCA   |

**E-BOX REMOTE BASIC SPECIFICATION**

|                               |                                   |   |
|-------------------------------|-----------------------------------|---|
| <b>ELECTRICAL</b>             | Input Voltage                     | 120 - 277 V AC 50/60 Hz   |
|                               | Typical Power Consumption         | 480 W   |
| <b>CONTROL</b>                | Power supply                      | Integrated  |
|                               | Connectivity                      | TBC   |
| <b>PHYSICAL</b>               | Length x Width x Height   Weight  | 360 x 210 x 91 mm (14.17 x 8.27 x 3.58 in.)   5 kg / 11.02 lbs  |
|                               | Number of LED Output zones        | 2   |
|                               | Max. Load Per Output              | 16 pcs of Eminere Remote 1 (50 m cable) via 1 Output  |
|                               | Cable Length per E-Box            | Max. 25 m (@ 20 pcs)   Max. 50 m (@ 16 pcs)   Max. 75 m (@ 13 pcs)   Max. 100 m (@ 10 pcs)  |
|                               | Housing                           | Die-Cast Aluminium Case   |
|                               | Finish Options                    | Standard Colour - Graphite Black (RAL 9011)   Silver (RAL 9006)<br>Cost Option - Custom RAL,   Harsh Environment (RAL 9016, RAL 9011) |
|                               | Cables / Connections              | Cable Grommet (stainless steel)   |
|                               | Mounting Method                   | Surface Mount, 4 Mounting Holes   |
|                               | Protection Factor                 | IP65 / Suitable For Wet Locations   |
|                               | IK Rating                         | IK10  |
|                               | Cooling System                    | Convection  |
| Operating Ambient Temperature | -20 °C / +40 °C (-4 °F / +104 °F) |   |
| <b>CERTIFICATION</b>          | Listings                          | ETL / cETL (pending), CE, RoHS  |