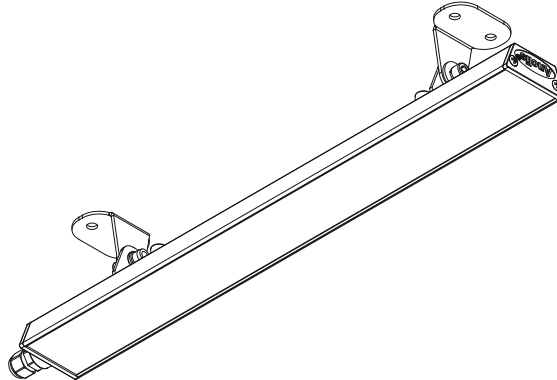


User instructions

ArcLine Optic 20MC, ArcLine Optic 40MC

The modules generate colored light by means of the RGBW LED multichips. The products were designed to use with the ArcPower drivers and for indoor use only.

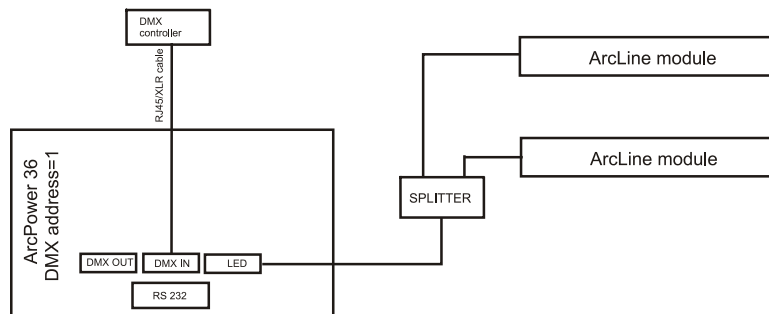


1. Attention

- Do not install the module near high inflammable liquids or materials
- Do not allow anything to rest on the module
- Do not use the module near high humidity or water or expose to the rain
- Do not install the module near the naked flames
- Do not install the module in dirty, dusty or badly ventilated location

2. Installation

The ArcLine Optic unit should be connected to the ArcPower drivers - See ArcPower 36/72/144/360 user manuals for full details of mains power requirements and DMX operation.



ArcLine Optic units are supplied with 1.5 m of cable for direct connection to the ArcPower drivers.

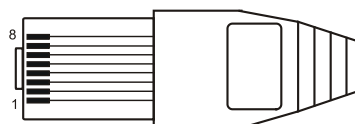
CAUTION!
 Avoid looking directly into the LED light beam at close range!

Maximum possible number of LED modules connected to the one ArcPower 36 (or one LED output zone of the ArcPower 72/144/360) is mentioned in the table below.

| Module | Number of LED multichips | Max. number of connected modules | Compatible power supplies |
|---------------------|--------------------------|----------------------------------|---------------------------|
| ArcLine Optic 20 MC | 5 | 2 | ArcPower 36/72/144/360 |
| ArcLine Optic 40 MC | 10 | 1 | ArcPower 36/72/144/360 |

3. RJ45 pin connection

RJ45 plug
 (View facing pins)



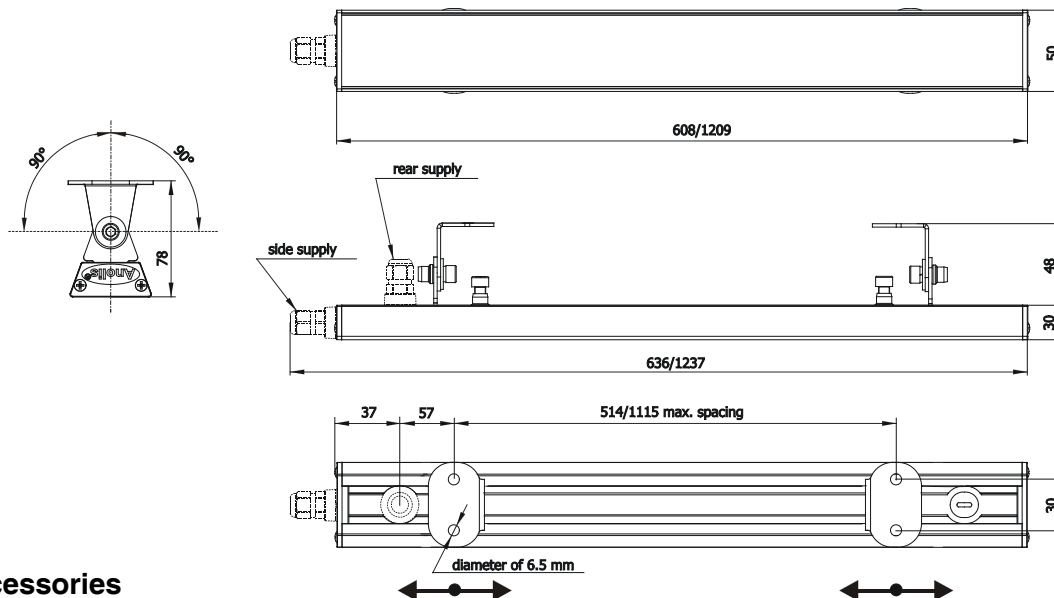
| Pin | Colour of wire | LED Colour |
|-----|----------------|-------------|
| 1 | White/orange | Red LED + |
| 2 | Orange | Green LED + |
| 3 | White/green | Blue LED + |
| 4 | Blue | White LED + |
| 5 | White/blue | Red LED - |
| 6 | Green | Green LED - |
| 7 | White/brown | Blue LED - |
| 8 | Brown | White LED - |

4. Technical specifications:

| Parameter | ArcLine Optic 20MC | ArcLine Optic 40MC |
|--------------------------------|------------------------------|------------------------------|
| Max. Input Current per Colour: | 350 mA | 350 mA |
| LED Device: | Cree MC-E RGBW multichip | Cree MC-E RGBW multichip |
| Number of LED multichips: | 5 | 10 |
| Typical Lumen Maintenance: | 70% @ 60,000 hours | 70% @ 60,000 hours |
| Led Life Expectancy: | 60,000 hours | 60,000 hours |
| Compatible Power Supplies: | ArcPower 36/72/144/360 | ArcPower 36/ 72/144/ 360 |
| Operating Ambient Temp. Range: | -20°C/+40°C | -20°C/+40°C |
| Surface temperature @ 25°C: | 38°C | 38°C |
| Cooling System: | convection | convection |
| Construction: | | |
| Housing: | precision extruded aluminium | precision extruded aluminium |
| Transparent cover: | clear glass | clear glass |
| Weight: | 1.1 kg | 1.9 kg |
| Ingress Protection: | IP 2X | IP 2X |
| Flammability: | 94V-0 flame class rating | 94V-0 flame class rating |
| Power /Data plug: | RJ45 | RJ45 |
| Power /Data cable | | |
| type: | 24 AWG x 4P, category 5e | 24 AWG x 4P, category 5e |
| length: | 1.5 m | 1.5m |

5. Dimensions:

(All dimensions are in mm)



6. Accessories

- Allen key.....1 piece
- Splitter (No. 13050690).....1 pcs (only ArcLine Optic 20 MC)

7. Maintenance

- Keep the module dry.
- Operate only in places where the sufficient airflow to cool the module is present
- Periodically clean the front transparent cover. Use a moist, lint-free cloth. Never use alcohol or solvents!

Version 1.0

Specifications are subject to change without notice.

