

Divine 160 tm



Client: _____

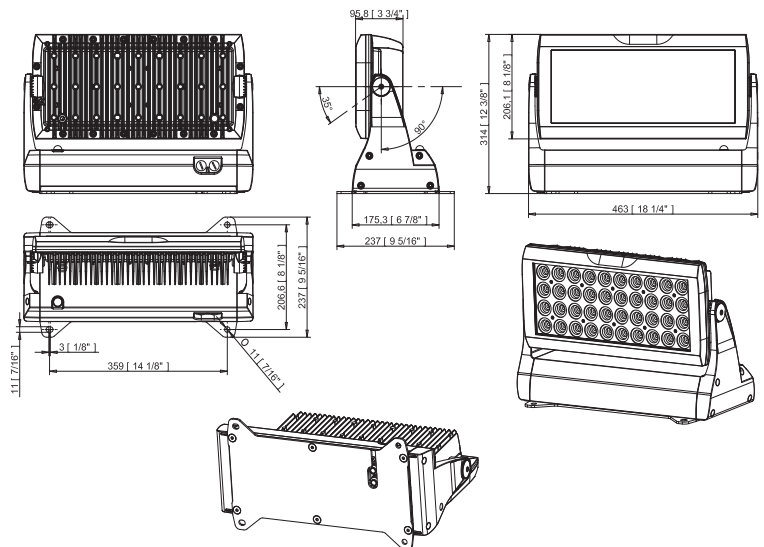
Project: _____

Specifier: _____

Type: _____ Qty: _____



Dimensions include mounting adaptor



FEATURES:

- Input Voltage: 100-277V AC 50/60Hz
- Power consumption: 440W +/- 10%
- Light Source: 40 x Multi Chip LED's
- Delivered Lumen: 11836 lm (RGBW @ 16°)
- Projected LED Life: 60,000 Hrs (L70@ 25°C / 77°F)
- Control: DMX Controller
- Housing: High Pressure Die-Cast Aluminium
Tempered Glass
- Mounting Method: Surface Mount, Flush (J-Box)
C-Clamp (Side Connection Only)
- IP Rating: IP67
- Operating Ambient Temp: -20°C/+40°C [-4°F/+104°F]
- Certification: ETL/cETL, CE, RoHS
- 5 Year Warranty

HOW TO ORDER

Divine 160	Variant	Colour Temp	Optic	Options	Finish
160	RGBCW	6500K	*13°	Wireless	W - White
	RGBNW	4000K	16°		S - Silver
	RGBWW	3200K	24°		B - Black
	SW		*39°		R - RAL * * * *
	PW	2700K	41°		
		4000K			
		6600K			

Optic * - PW and SW Only

Optics and colour temperature will vary depending on LED

Product Specification:

Electrical	Input Voltage		100-277V AC 50/60 Hz
	Power Consumption		440W +/- 10%
	In Rush Current		20A Cold Start, 25°C (77°F) Ambient, Full Load 115 VAC 30A Cold Start, 25°C (77°F) Ambient, Full Load 230 VAC
Optical	Light Source		40 x Multi-Chip LED's
		RGBW	W = WW-3200K, CW-6500K, NW-4000K
		PW	2700K, 4000K, 6500K
		SW	2700-8200K
		CV	Custom Variant
Colour Variant		RGB(WW, CW and NW), Pure White, Smart White, Custom Variant	
Beam Angle		RGBW: 16°, 24°, 41° PW-SW: 13°, 24°, 39°	
Projected Lumen Maintenance		60,000 hrs (L70@ 25°C / 77°F)	
Control	Interface Protocol		USITT, DMX512, RDM, 0-10V (For single Colour Variants)
	Wireless DMX (Optional Accessory)		Lumen Radio CRMX Technology
	Control System		Anolis Lighting Controls or any Third Party DMX512 Controllers
	Power Supply		Integral
	Stand Alone Control		Yes
Physical	Width x Height x Depth		Inches 18.2 x 12.4 x 6.9/9.3 mm 463 x 314 x 175/237
	Weight	lbs	32
		kg	14.5
	Housing		High Pressure Die-Cast Aluminium Body Tempered Glass
	Fixture Cable and Connections		Li9YC11Y Cable 3xAWG16+1x(2xAWG24) (Optional) Integrated Junction Box with Terminal Block
	Mounting Method		Surface Mount, Flush (J Box), C-Clamp (For Side Connection Only)
	Adjustability		+35° / -90°
	IP Rating		IP67
	IK Rating		IK10
	Cooling System		Convection
	Operating Ambient Temperature		-20°C / +40°C (-4°F / +104°F)
	Operating Temperature		+75°C @ Ambient + 40°C (+167°F @ Ambient + 104°F)
	Total Heat Dissipation		1500 BTU/h (Calculated)
Certification	Listings		ETL / cETL, CE, RoHS

Beam angles may vary depending on colour variant, please see photometric files for details

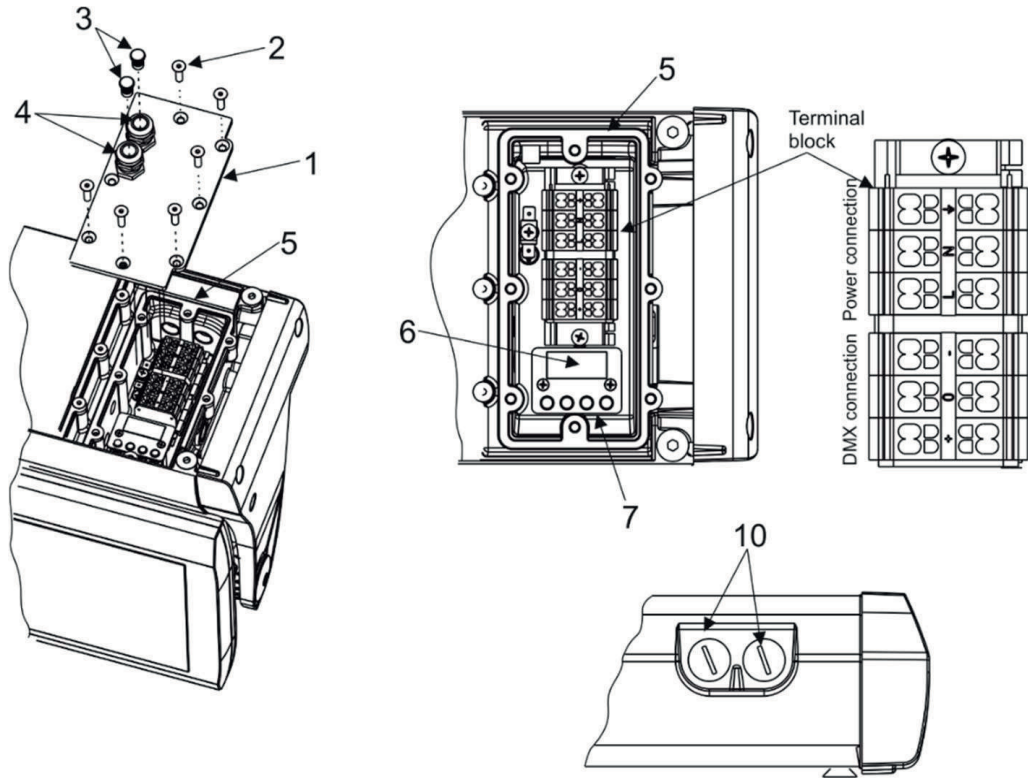
Subject to change without notice - please contact Anolis for clarification

Accessories	Description
	Surface Mounting Adaptor (Included)
1098 0357	Top Hat (Silver)
1098 0358	Half Top Hat (Silver)
1098 0359	Wire Guard (Silver)
1098 0363	C-Clamp Adaptor (Silver)
1098 0378	Barn Door Module (Silver)
1098 0371	Set of Rubber Feet (Silver)

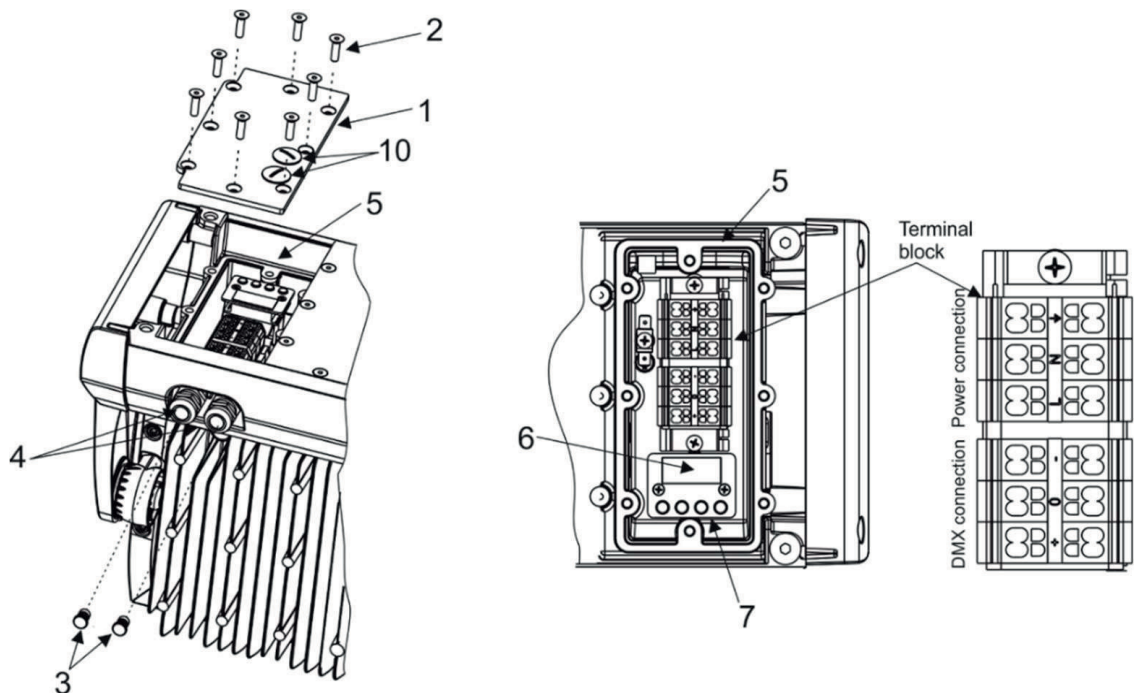


Connection:

Rear connection shown

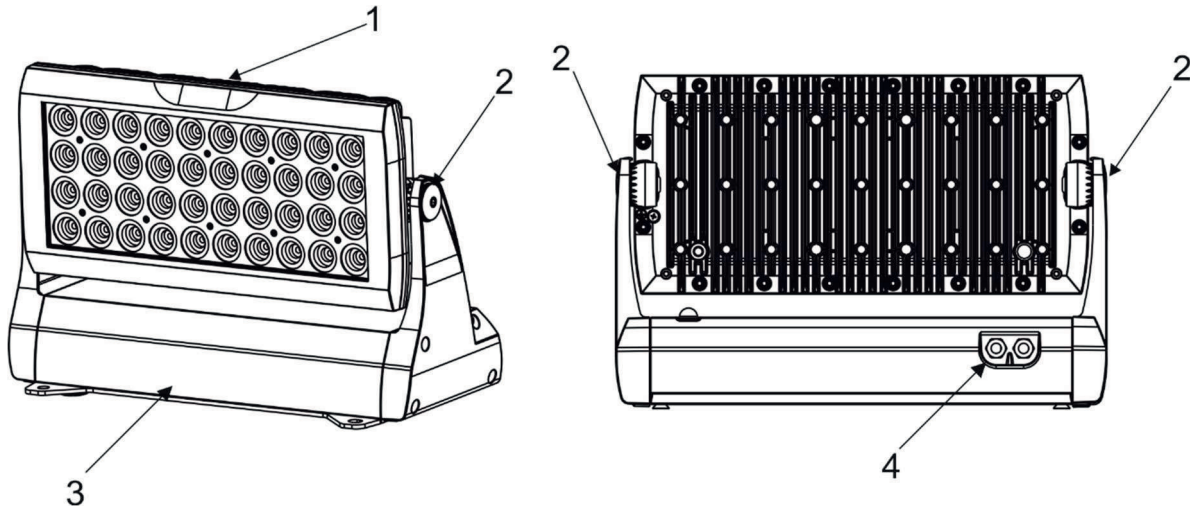


Side connection shown

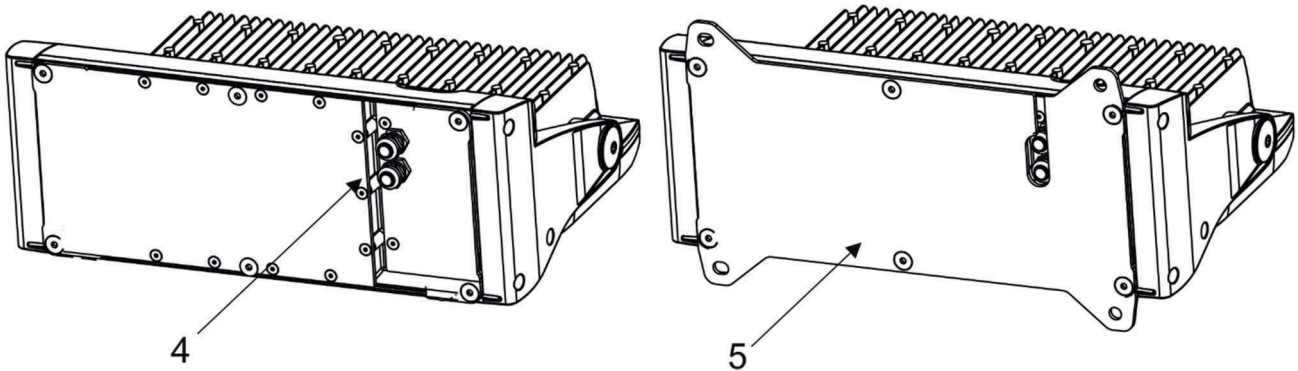


Labels:

Side connection shown



Rear connection shown

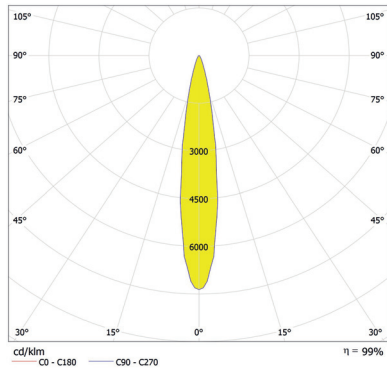


1. Head with LED array
2. Tilt lock
3. Base
4. Cable glands or blind flange (depends on fixture version)
5. Surface Mounting adapter

Note: customer can interchange the cable glands and blind flanges in the fixture base to create a side or rear connection.

Photometric Data:

Divine 160 RGBCW 16°

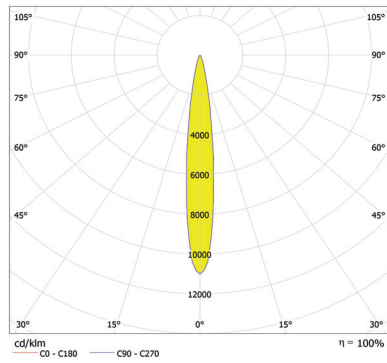


Distance [m]	Cone Diameter [m]	E(0°) E(CD)	E(8.2°) E(CD)	Illuminance [lx]
0.5	0.14	348409	169323	
1.0	0.29	87102	42331	
1.5	0.43	38712	18814	
2.0	0.58	21776	10583	
2.5	0.72	13936	6773	
3.0	0.86	9678	4703	

Distance [m] Cone Diameter [m]
 CD - C180 (Half-value Angle: 16.4°)

Total Luminous Flux: 11836lm

Divine 160 CW 13°

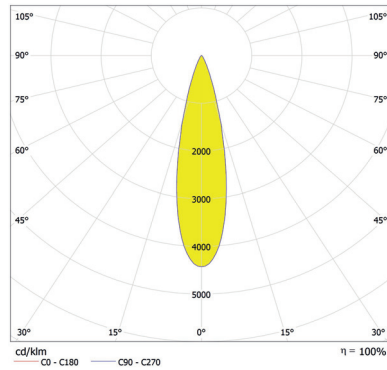


Distance [m]	Cone Diameter [m]	E(0°) E(CD)	E(6.5°) E(CD)	Illuminance [lx]
0.5	0.11	695889	342462	
1.0	0.23	173972	85615	
1.5	0.34	77321	38051	
2.0	0.46	43493	21404	
2.5	0.57	27836	13688	
3.0	0.68	19330	9513	

Distance [m] Cone Diameter [m]
 CD - C180 (Half-value Angle: 13.0°)

Total Luminous Flux: 15798lm

Divine 160 RGBCW 24°

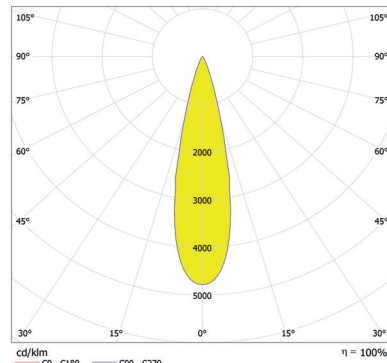


Distance [m]	Cone Diameter [m]	E(0°) E(CD)	E(12.2°) E(CD)	Illuminance [lx]
0.5	0.22	213602	100741	
1.0	0.43	53460	25185	
1.5	0.65	23734	11193	
2.0	0.86	13350	6296	
2.5	1.08	8544	4030	
3.0	1.30	5933	2798	

Distance [m] Cone Diameter [m]
 CD - C180 (Half-value Angle: 24.6°)

Total Luminous Flux: 12060lm

Divine 160 CW 24°



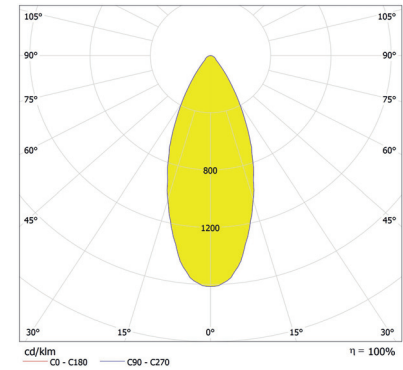
Distance [m]	Cone Diameter [m]	E(0°) E(CD)	E(12.3°) E(CD)	Illuminance [lx]
0.5	0.22	206916	145904	
1.0	0.44	76729	36476	
1.5	0.65	34102	16212	
2.0	0.87	19182	9119	
2.5	1.09	12277	5836	
3.0	1.31	8525	4053	

Distance [m] Cone Diameter [m]
 CD - C180 (Half-value Angle: 24.6°)

Total Luminous Flux: 16039lm

For foot Candles divide lux by 10.7

Divine 160 RGBCW 41°

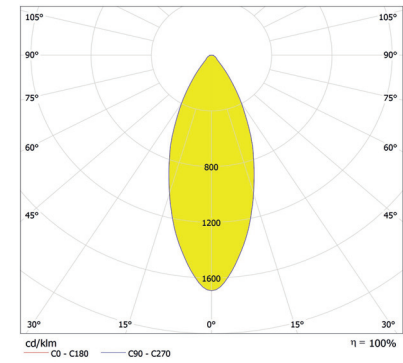


Distance [m]	Cone Diameter [m]	E(0°) E(CD)	E(20.5°) E(CD)	Illuminance [lx]
0.5	0.37	46533	19141	
1.0	0.75	11633	4785	
1.5	1.12	5170	2127	
2.0	1.50	2908	1196	
2.5	1.87	1861	786	
3.0	2.24	1293	532	

Distance [m] Cone Diameter [m]
 CD - C180 (Half-value Angle: 41.0°)

Total Luminous Flux: 7205lm

Divine 160 CW 39°



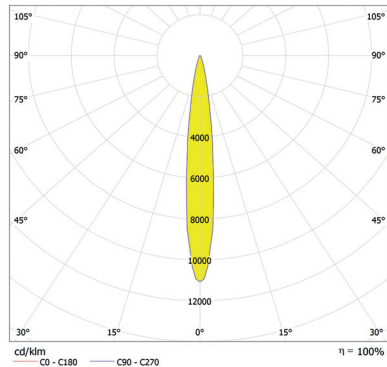
Distance [m]	Cone Diameter [m]	E(0°) E(CD)	E(19.4°) E(CD)	Illuminance [lx]
0.5	0.35	51811	26667	
1.0	0.70	15453	6517	
1.5	1.06	6868	2896	
2.0	1.41	3863	1629	
2.5	1.76	2472	1043	
3.0	2.11	1717	724	

Distance [m] Cone Diameter [m]
 CD - C180 (Half-value Angle: 38.8°)

Total Luminous Flux: 9136lm

Photometric Data:

Divine 160 SW 2700K 13°

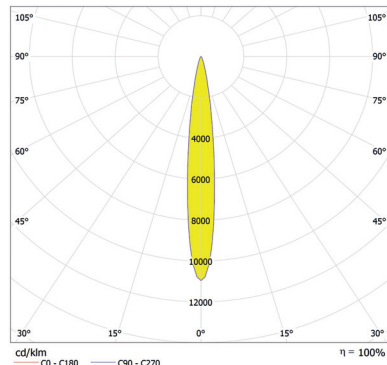


Distance [m]	Cone Diameter [m]	E(0°) E(CD)	E(0°) E(CD)
0.5	0.11	204131 100891	6.4°
1.0	0.22	51033 25223	6.4°
1.5	0.34	22681 11210	6.4°
2.0	0.45	12738 6366	6.4°
2.5	0.56	8165 4036	6.4°
3.0	0.67	5670 2803	6.4°

Distance [m] Cone Diameter [m]
 CO - C180 (Half-value Angle: 12.8°)
 Illuminance [lx]

Total Luminous Flux: 4609lm

Divine 160 SW 5000K 13°

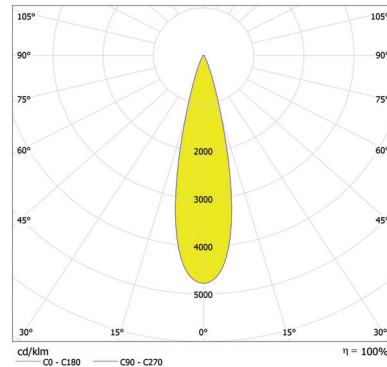


Distance [m]	Cone Diameter [m]	E(0°) E(CD)	E(0°) E(CD)
0.5	0.11	523778 258123	6.5°
1.0	0.23	130945 64531	6.5°
1.5	0.34	58188 28680	6.5°
2.0	0.46	32736 16133	6.5°
2.5	0.57	20951 10325	6.5°
3.0	0.68	14549 7170	6.5°

Distance [m] Cone Diameter [m]
 CO - C180 (Half-value Angle: 13.0°)
 Illuminance [lx]

Total Luminous Flux: 11950lm

Divine 160 SW 2700K 24°

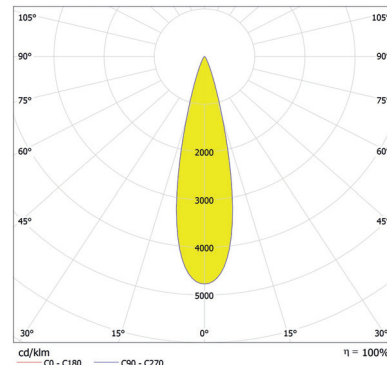


Distance [m]	Cone Diameter [m]	E(0°) E(CD)	E(0°) E(CD)
0.5	0.22	86135 40295	12.3°
1.0	0.44	21534 10074	12.3°
1.5	0.65	9571 4477	12.3°
2.0	0.87	5383 2518	12.3°
2.5	1.09	3445 1612	12.3°
3.0	1.31	2393 1119	12.3°

Distance [m] Cone Diameter [m]
 CO - C180 (Half-value Angle: 24.6°)
 Illuminance [lx]

Total Luminous Flux: 4509lm

Divine 160 SW 5000K 24°



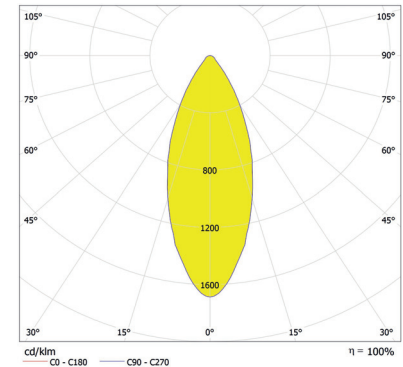
Distance [m]	Cone Diameter [m]	E(0°) E(CD)	E(0°) E(CD)
0.5	0.22	218198 102022	12.3°
1.0	0.44	54550 25505	12.3°
1.5	0.65	24244 11336	12.3°
2.0	0.87	13637 6376	12.3°
2.5	1.09	8728 4081	12.3°
3.0	1.31	6061 2834	12.3°

Distance [m] Cone Diameter [m]
 CO - C180 (Half-value Angle: 24.6°)
 Illuminance [lx]

Total Luminous Flux: 11441lm

For foot Candles divide lux by 10.7

Divine 160 SW 2700K 39°

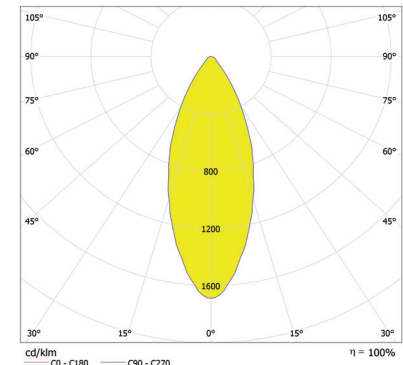


Distance [m]	Cone Diameter [m]	E(0°) E(CD)	E(0°) E(CD)
0.5	0.35	17983 7545	19.5°
1.0	0.71	4498 1886	19.5°
1.5	1.06	1999 838	19.5°
2.0	1.42	1125 472	19.5°
2.5	1.77	720 302	19.5°
3.0	2.12	500 210	19.5°

Distance [m] Cone Diameter [m]
 CO - C180 (Half-value Angle: 39.0°)
 Illuminance [lx]

Total Luminous Flux: 2665lm

Divine 160 SW 5000K 39°



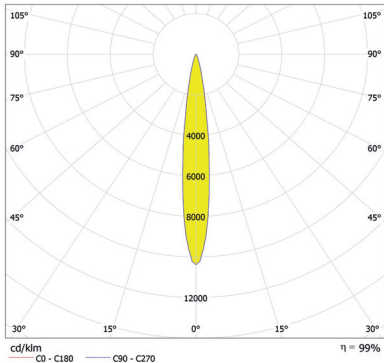
Distance [m]	Cone Diameter [m]	E(0°) E(CD)	E(0°) E(CD)
0.5	0.35	45688 19150	19.5°
1.0	0.71	11422 4788	19.5°
1.5	1.06	5076 2128	19.5°
2.0	1.42	2856 1197	19.5°
2.5	1.77	1828 766	19.5°
3.0	2.12	1289 532	19.5°

Distance [m] Cone Diameter [m]
 CO - C180 (Half-value Angle: 39.0°)
 Illuminance [lx]

Total Luminous Flux: 6757lm

Photometric Data:

Divine 160 SW 8200K 13°

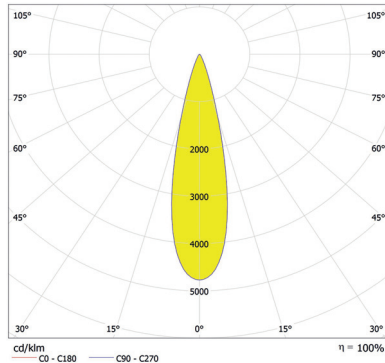


Distance [m]	Cone Diameter [m]	E(0°) E(CD)	Iluminance [lx]
0.5	0.12	33984 E(CD) 6.7°	168421
1.0	0.23	84845 E(CD) 6.7°	42165
1.5	0.35	37700 E(CD) 6.7°	18713
2.0	0.47	21211 E(CD) 6.7°	10026
2.5	0.59	13575 E(CD) 6.7°	6737
3.0	0.70	9427 E(CD) 6.7°	4678

Distance [m] Cone Diameter [m] Iluminance [lx]
 CO - C180 (Half-value Angle: 13.4°)

Total Luminous Flux: 8177lm

Divine 160 SW 8200K 24°



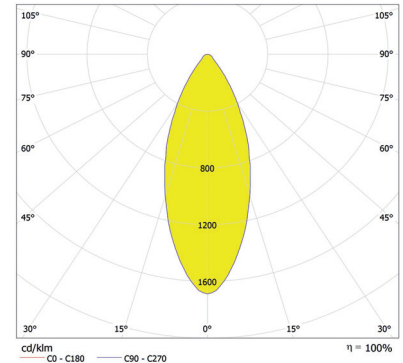
Distance [m]	Cone Diameter [m]	E(0°) E(CD)	Iluminance [lx]
0.5	0.22	149927 E(CD) 12.2°	71942
1.0	0.43	37482 E(CD) 12.2°	17760
1.5	0.65	16659 E(CD) 12.2°	7894
2.0	0.86	9370 E(CD) 12.2°	4440
2.5	1.08	5997 E(CD) 12.2°	2942
3.0	1.30	4165 E(CD) 12.2°	1973

Distance [m] Cone Diameter [m] Iluminance [lx]
 CO - C180 (Half-value Angle: 24.4°)

Total Luminous Flux: 7855lm

For foot Candles divide lux by 10.7

Divine 160 SW 8200K 39°



Distance [m]	Cone Diameter [m]	E(0°) E(CD)	Iluminance [lx]
0.5	0.36	20457 E(CD) 19.6°	12749
1.0	0.71	7609 E(CD) 19.6°	3187
1.5	1.07	3382 E(CD) 19.6°	1417
2.0	1.42	1902 E(CD) 19.6°	797
2.5	1.78	1217 E(CD) 19.6°	510
3.0	2.14	845 E(CD) 19.6°	354

Distance [m] Cone Diameter [m] Iluminance [lx]
 CO - C180 (Half-value Angle: 39.2°)

Total Luminous Flux: 4507lm