

User instructions

ArcLine Outdoor Optic 3/6/8/12/18/24/36

The products generate colored light by means of red, green and blue LEDs. The products were designed for exterior use and they are ideal for locations where effect lighting with long lifetime is required.

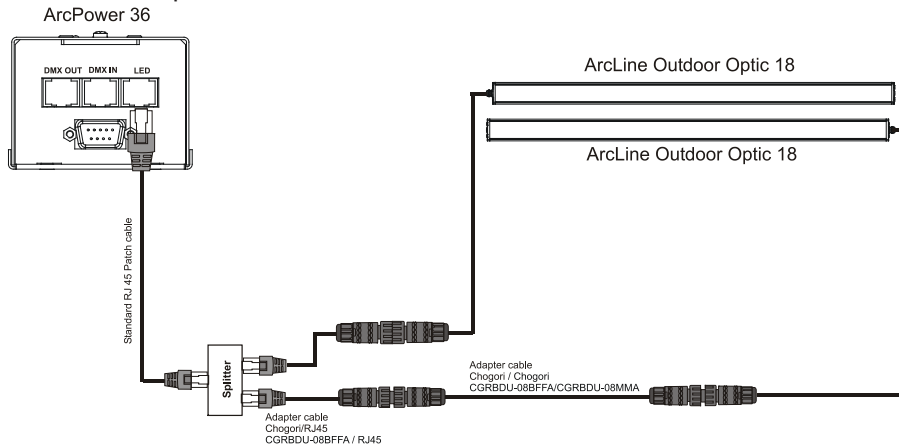
1. Attention

Consider the respective national norms during the installation!

- Do not install the unit near naked flames.
- Avoid using the unit in locations subject to possible impacts.
- Do not attempt to dismantle or modify the unit.
- Avoid looking directly into the LED light beam at close range.
- Do not install the module in badly ventilated location

2. Installation

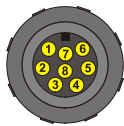
The ArcSource Outdoor unit should be connected to the ArcPower driver according to the LED colour variant (RGB, WW, CW). See the ArcPower 36/72/144/360/16x6/DRS/ArcPower Rack Unit/ /ArcPower 24 Outdoor/ ArcPower 48 Outdoor/ArcPower 192 Outdoor user manuals or their smartwhite variants for full details of mains power requirements and DMX operation.



The ArcLine Outdoor unit can be arranged in any position orientation. Spotlight body is mounted on a steel “U” brackets for “tilt” adjustment, with fixings which can be locked in position to retain the focus of the unit beam.

Connections:

1. ArcLine Outdoor Optic



Rear view (male)

Pin	Function
1 -	Red -
2 -	White +
3 -	White -
4 -	Blue -
5 -	Blue +
6 -	Green -
7 -	Green +
8 -	Red +

2. Adapter cable Chogori -RJ45 (it is not a standard part of delivery), for indoor use only



Rear view

Pin	Function	Wire
1 -	Red -	Blue/white
2 -	White +	Blue
3 -	White -	Brown
4 -	Blue -	Brown/white
5 -	Blue +	Green/white
6 -	Green -	Green
7 -	Green +	Orange
8 -	Red +	Orange/white

Pin	Function	Wire
1 -	Red +	Orange/white
2 -	Green +	Orange
3 -	Blue +	Green/white
4 -	White +	Blue
5 -	Red -	Blue/white
6 -	Green -	Green
7 -	Blue -	Brown/white
8 -	White -	Brown

3. Adapter cable Chogori -Chogori (it is not a standard part of delivery)



It is possible to use a splitter for connecting two ArcLine Outdoor Optic modules but maximum number of connected modules to the ArcPower 36 (or to one LED zone of the ArcPower drivers) determines the table:

Module (colour variant)	Total LEDs	Red LEDs	Green LEDs	Blue LEDs	Amber LEDs	Cool white LEDs	Warm white LEDs	Max.number of connected modules	Example of compatible drivers
ArcLine Outdoor Optic 3 RGB	3	1	1	1	-	-	-	12 12 2 12	ArcPower 36/72/144/360/ ArcPower Rack Unit ArcPower 16x6 ArcPower 192 Outdoor
ArcLine Outdoor Optic 3 CW	3	-	-	-	-	3	-	12	ArcPower SmartWhite 36/ 72/144
ArcLine Outdoor Optic 3 WW	3	-	-	-	-	-	3	12	ArcPower SmartWhite 36/ 72/144
ArcLine Outdoor Optic 3 R	3	3	-	-	-	-	-	12	ArcPower SmartWhite 36/ 72/144
ArcLine Outdoor Optic 3 G	3	-	3	-	-	-	-	12	ArcPower SmartWhite 36/ 72/144
ArcLine Outdoor Optic 3 A	3	-	-	-	3	-	-	12	ArcPower SmartWhite 36/ 72/144
ArcLine Outdoor Optic 3 B	3	-	-	3	-	-	-	12	ArcPower SmartWhite 36/ 72/144
ArcLine Outdoor Optic 6 RGB	6	2	2	2	-	-	-	6 6 1 6	ArcPower 36/72/144/360/ ArcPower Rack Unit ArcPower 16x6 ArcPower 192 Outdoor
ArcLine Outdoor Optic 6 CW	6	-	-	-	-	6	-	6	ArcPower SmartWhite 36/ 72/144
ArcLine Outdoor Optic 6 WW	6	-	-	-	-	-	6	6	ArcPower SmartWhite 36/ 72/144
ArcLine Outdoor Optic 6 R	6	6	-	-	-	-	-	6	ArcPower SmartWhite 36/ 72/144
ArcLine Outdoor Optic 6 G	6	-	6	-	-	-	-	6	ArcPower SmartWhite 36/ 72/144
ArcLine Outdoor Optic 6 A	6	-	-	-	6	-	-	6	ArcPower SmartWhite 36/ 72/144
ArcLine Outdoor Optic 6 B	6	-	-	6	-	-	-	6	ArcPower SmartWhite 36/ 72/144
ArcLine Outdoor Optic 8 RGBW	8	2	2	2	2	-	-	5 5 1 5	ArcPower 36/72/144/360/ ArcPower Rack Unit ArcPower 16x6 ArcPower 192 Outdoor
ArcLine Outdoor Optic 12 RGB	12	4	4	4	-	-	-	3 3 1	ArcPower 36/72/144/360/ ArcPower Rack Unit ArcPower 192 Outdoor
ArcLine Outdoor Optic 12 CW	12	-	-	-	-	12	-	3	ArcPower SmartWhite 36/ 72/144
ArcLine Outdoor Optic 12 WW	12	-	-	-	-	-	12	3	ArcPower SmartWhite 36/ 72/144
ArcLine Outdoor Optic 12 R	12	12	-	-	-	-	-	3	ArcPower SmartWhite 36/ 72/144

ArcLine Outdoor Optic 12 G	12	-	12	-	-	-	-	3	ArcPower SmartWhite 36/72/144
ArcLine Outdoor Optic 12A	12	-	-	-	12	-	-	3	ArcPower SmartWhite 36/72/144
ArcLine Outdoor Optic 12 B	12	-	-	12	-	-	-	3	ArcPower SmartWhite 36/72/144
ArcLine Outdoor Optic 12 SW	12	-	-	-	-	6	6	3	ArcPower SmartWhite 36/72/144
ArcLine Outdoor Optic 18 RGB	18	6	6	6	-	-	-	2 2	ArcPower 36/72/144/360/384 Rack Mount
ArcLine Outdoor Optic 18 RAWW	18	6	-	-	6	-	6	2 2	ArcPower 36/72/144/360/384 Rack Mount
ArcLine Outdoor Optic 18 CW	18	-	-	-	-	-	-	2	ArcPower SmartWhite 36/72/144
ArcLine Outdoor Optic 18 WW	18	-	-	-	-	-	18	2	ArcPower SmartWhite 36/72/144
ArcLine Outdoor Optic 18 R	18	18	-	-	-	-	-	2	ArcPower SmartWhite 36/72/144
ArcLine Outdoor Optic 18 G	18	-	18	-	-	-	-	2	ArcPower SmartWhite 36/72/144
ArcLine Outdoor Optic 18 A	18	-	-	-	18	-	-	2	ArcPower SmartWhite 36/72/144
ArcLine Outdoor Optic 18 B	18	-	-	18	-	-	-	2	ArcPower SmartWhite 36/72/144
ArcLine Outdoor Optic 24 RGB	24	8	8	8	-	-	-	1 1	ArcPower 36/72/144/360/384 Rack Mount
ArcLine Outdoor Optic 24 CW	24	-	-	-	-	24	-	1	ArcPower SmartWhite 36/72/144
ArcLine Outdoor Optic 24 WW	24	-	-	-	-	-	24	1	ArcPower SmartWhite 36/72/144
ArcLine Outdoor Optic 24 R	24	24	-	-	-	-	-	1	ArcPower SmartWhite 36/72/144
ArcLine Outdoor Optic 24 B	24	-	-	24	-	-	-	1	ArcPower SmartWhite 36/72/144
ArcLine Outdoor Optic 24 SW	24	-	-	-	-	12	12	1	ArcPower SmartWhite 36/72/144
ArcLine Outdoor Optic 36 RGB	36	12	12	12	-	-	-	1 1	ArcPower 36/72/144/360/384 Rack Mount
ArcLine Outdoor Optic 36 RAB	36	12	-	12	12	-	-	1 1	ArcPower 36/72/144/360/384 Rack Mount
ArcLine Outdoor Optic 36 RAWW	36	12	-	-	12	-	12	1 1	ArcPower 36/72/144/360/384 Rack Mount
ArcLine Outdoor Optic 36 CW	36	-	-	-	-	36	-	1	ArcPower SmartWhite 36/72/144
ArcLine Outdoor Optic 36 WW	36	-	-	-	-	-	36	1	ArcPower SmartWhite 36/72/144
ArcLine Outdoor Optic 36 R	36	36	-	-	-	-	-	1	ArcPower SmartWhite 36/72/144
ArcLine Outdoor Optic 36 G	36	-	36	-	-	-	-	1	ArcPower SmartWhite 36/72/144
ArcLine Outdoor Optic 36 A	36	-	-	-	36	-	-	1	ArcPower SmartWhite 36/72/144
ArcLine Outdoor Optic 36 B	36	-	-	36	-	-	-	1	ArcPower SmartWhite 36/72/144
ArcLine Outdoor Optic 36 SW	36	-	-	-	-	18	18	1	ArcPower SmartWhite 36/72/144

3. Technical specifications

ArcLine Outdoor Optic	3	6	8	12	18	24	36
Max. Input Current per Colour	350mA	350mA	350mA	350mA	350 mA	350mA	350mA
Total Max. Power Consumption:	3.4W	6.8 W	9W	13.6 W	20.4 W	27.2 W	40.8 W
Number of LEDs:	3	6	8	12	18	24	36
Compatible Power Supplies for RGB variants*:	- - ArcPower 36/ 72/144/ 360/DRS/ArcPower Rack Unit/ArcPower 24 Outdoor/ArcPower 48 Outdoor/ArcPower 192 Outdoor						- -
Operating Ambient Temp.Range:	- -	- -	- -	- -	-20°C/+40°C	- -	- -
Cooling System:	- -	- -	- -	- -	convection	- -	- -
Optical Systems Available:	- -	12°, 19°, 25°, 31°, 47°x11° for RGB, RGBW and single colour/16°, 25°, 28°, 35°, 45°x18° for WW, CW and SW variants			- -	- -	- -
LED Device:	- -	- -	- -	- -	ProLight Opto Proeon	- -	- -
Typical Lumen Maintenance:	- -	- -	- -	- -	70%@ 50,000 hours	- -	- -
Led Life Expectancy:	- -	- -	- -	- -	minimum 50,000 hours	- -	- -
Construction:body	- -	- -	- -	- -	precision extruded aluminium	- -	- -
"U" holder	- -	- -	- -	- -	zincing steel	- -	- -
Transparent cover:	- -	- -	- -	- -	tempered glass	- -	- -
Weight:	0.5 kg	1.1 kg	1.25kg	2.1kg	3.1 kg	4.3 kg	6.4 kg
Ingress Protection:	- -	- -	- -	- -	IP 65	- -	- -
Flammability:	- -	- -	- -	- -	94HB flame class rating	- -	- -
Power /Data plug:	- -	- -	- -	- -	Chogori 08BMMMA-SL8001	- -	- -
Power /Data cable type:	- -	- -	- -	- -	LiYY 8xAWG22 UL Style 2517/CSA O.D. 6,70mm	- -	- -
length:	- -	- -	- -	- -	0.5m	- -	- -

LED Colour Variants**

RGB,RAB,R,G,B,A,WW,CW,SW

RGB,RAB,R,G,B,A,WW,CW

RGB,RAB,R,G,B,A,WW,CW

RGB,RAB,R,G,B,A,WW,CW,SW

RGB,RAB,R,G,B,A,WW,CW,SW

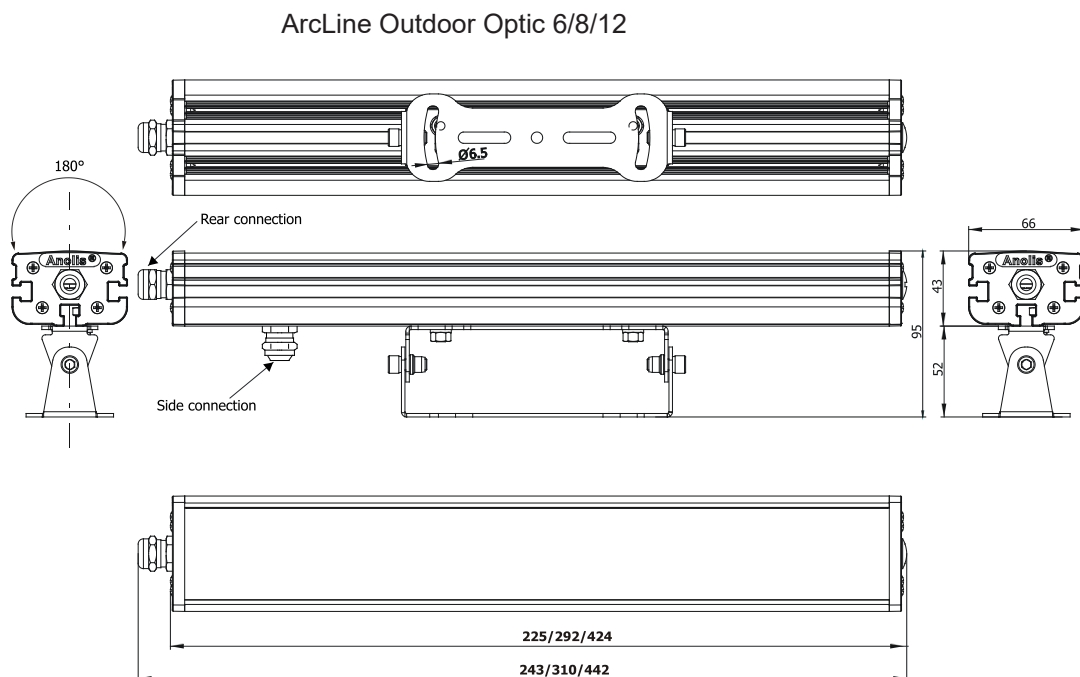
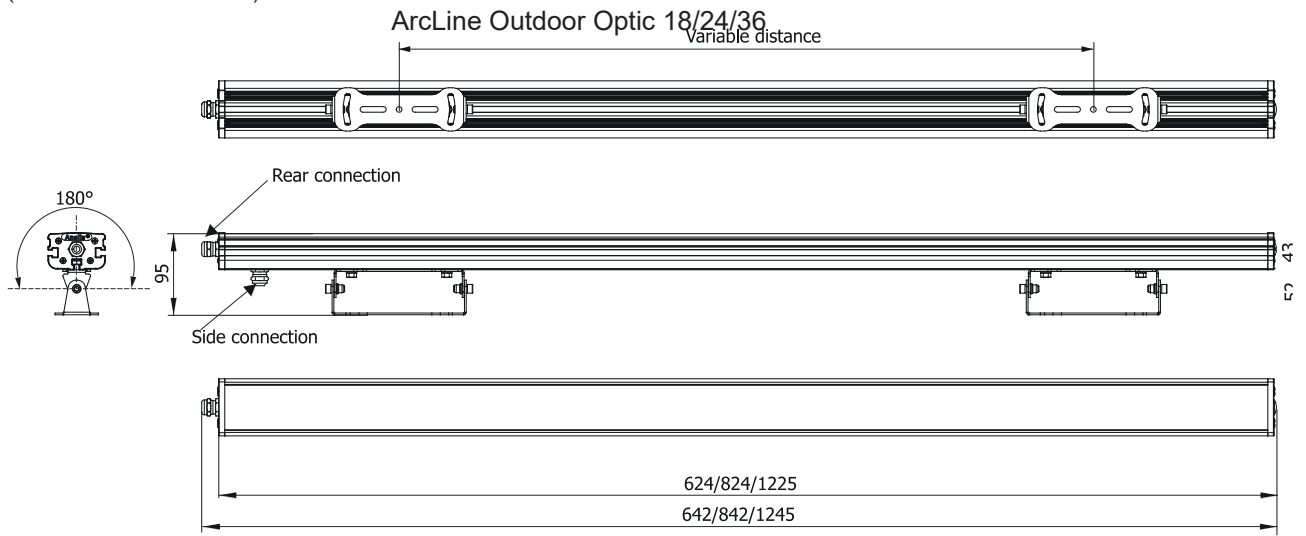
* For single colour or SW modules are intended SmartWhite variants of the power supplies

**RGB - red&green&blue;R- red;B-blue;G-green,A-Amber,CW-cool white;WW-warm white;SW-smart white;RAB-red&amber&blue

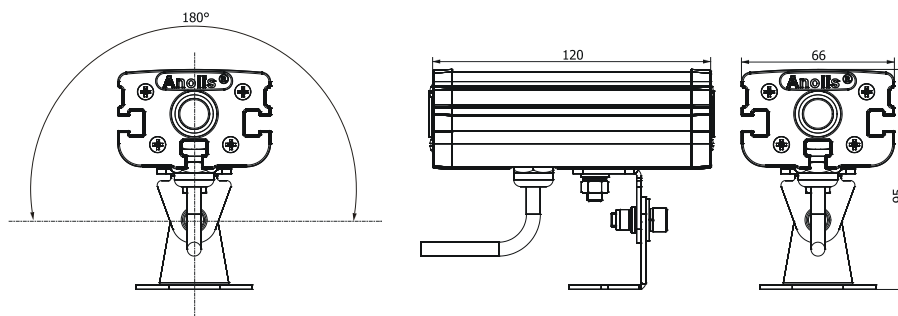
Note: -||- means the same data as at the ArcLine Outdoor Optic 18.

4. Dimensions

(All dimensions are in mm)



ArcLine Outdoor Optic 3



5. Accessories

- 1 x Allen key
- 1 x Splitter(P/N 13050690) for ArcLine Outdoor Optic 3/6/8/12/18 only
- 1 x Connector Chogori CGRBDU-08BFFA (female), IP67

6. Optional Accessories

- Adapter cable CGRBDU-08BFFA/ CGRBDU-08BMMA, L=3m (P/N 13051960), IP67
- Adapter cable CGRBDU-08BFFA/RJ45, L=0.25m (P/N 13051966), for indoor use only
- T-connector Chogori 8-pin (P/N 13051938), IP 67

7. Maintenance

- Periodically clean the front transparent cover, particularly if the unit is exposed to the weather.
- Use a moist, lint-free cloth. Never use alcohol or solvents.

Version: 2.9 CE

July 26, 2018

Specifications are subject to change without specification

Made in ROBE Lighting s.r.o., Palackého 416, 757 01 Valašské Meziříčí, Czech Republic