

# User instructions

## ArcPad 48

The product generates colored light by means of Luxeon LEDs. The product was designed for exterior use and it is ideal for locations where the effect lighting is required.

### 1.Attention:

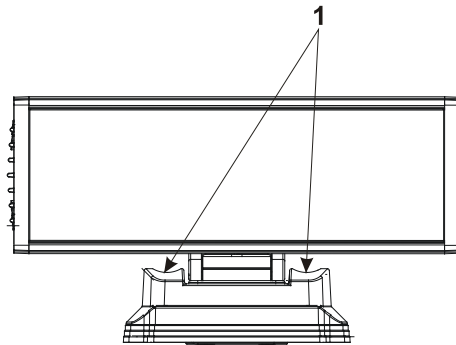
- During the operation the housing becomes hot (up to 85°C)
- Do not install the module near high inflammable liquids or materials
- Do not allow anything to rest on the module
- Do not install the module near the naked flames
- The unit is not suitable for underwater installation
- Do not install the module in dirty,dusty or badly ventilated location
- Avoid using the unit in locations subject to possible impacts.
- Avoid looking directly into the LED light beam at close range.

### 2.Installation

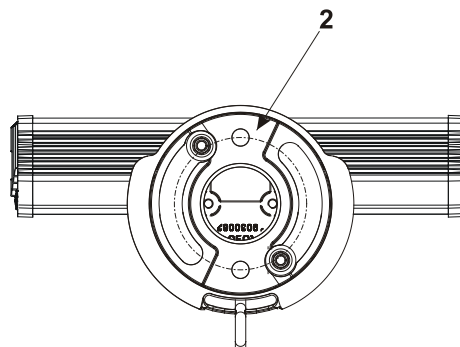
The ArcPad 48 unit can be arranged in any position orientation. The ArcPad's head is mounted on an adjustable bracket for "tilt" adjustment into many positions.

To fix the unit.

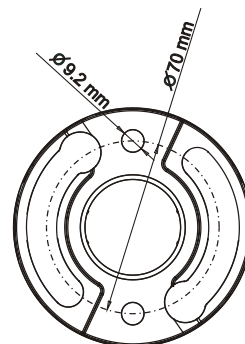
1. Loosen both pan screws (1) in the fixture base.



2. Turn the internal adjustable holder (2) to the position as shown on the picture and take it out from the base.

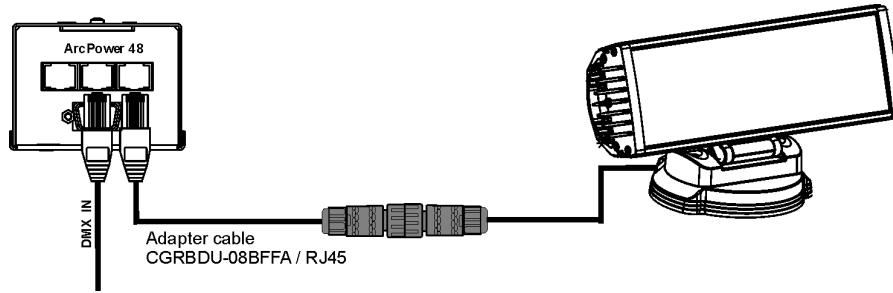


3. Fasten the internal holder on the non-flammable surface via 2 mounting holes of diameter of 9.2 mm.

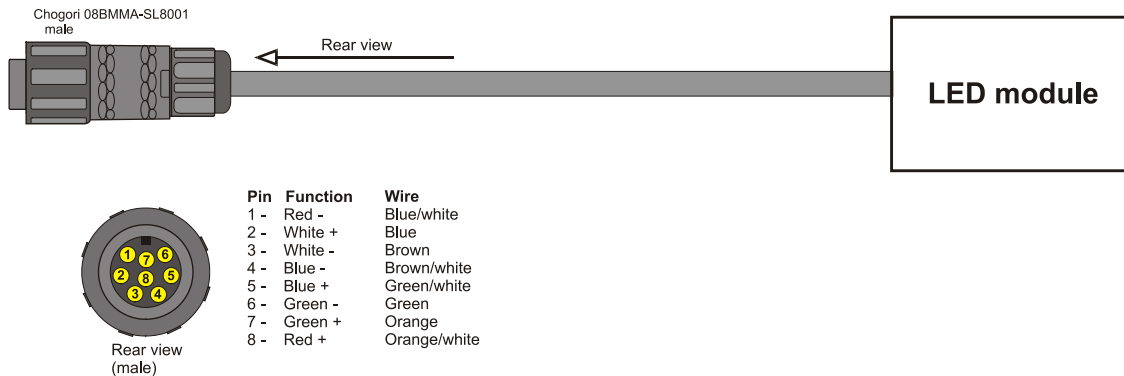


4. Put the base of the fixture on the internal holder (2), adjust its desired pan position and tighten both pan screws (1). Adjust suitable tilt position.

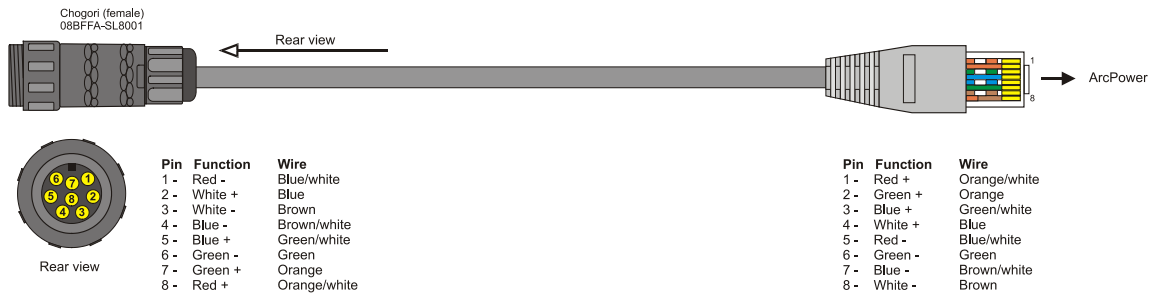
The ArcPad 48 should be connected to the ArcPower 48 (or ArcPower Unit or DRS). See their user manuals for full details of mains power requirements and DMX operation.



Connect the ArcPad 48 cable to the ArcPower 48 via the adapter cable Chogori/RJ45. The power/data cable that connect the ArcPad 48 to the ArcPower 48 has the following wiring:



Adapter cable Chogori/ RJ45 between fixture and LED driver (the cable is without IP rating)



### 3. Technical specifications:

Maximum Power Consumption:	60 W
Max. LED current:	Red (Amber)=420mA, Green/Blue/White=700mA
Comp. Power Supply for RGBW version:	ArcPower 48, ArcPower Unit*, DRS*
Comp. Power Supply for single colour and SW version:	ArcPower 48 SmartWhite, ArcPower Unit*, DRS*
Operating Ambient Temp. Range:	-20°C/+40°C
Cooling System:	convection
Led device:	Luxeon Rebels
Number of LEDs	48
Optical System Available:	13°, 26°, 45°, 13° x 38°
Typical Lumen Maintenance:	70%@ 60,000 hours
Led Life Expectancy:	minimum 60,000 hours
Operating Temperature:	+70°C@ambient 25°C
Protection factor:	IP 67
Construction:	
Body:	cast aluminium
Base:	cast aluminium
Transparent cover:	tempered glass
"tilt" range:	+60°/-90°
"pan" range:	+45°/-45°
Power /Data Connection plug:	Chogori 08BMMA-SL8001 (male)
Power /Data Connection cable:	LiYY 8xAWG22 UL Style 2517/CSA O.D. 6,70mm )
LED Colour Variants *:	RGBW, AGBW

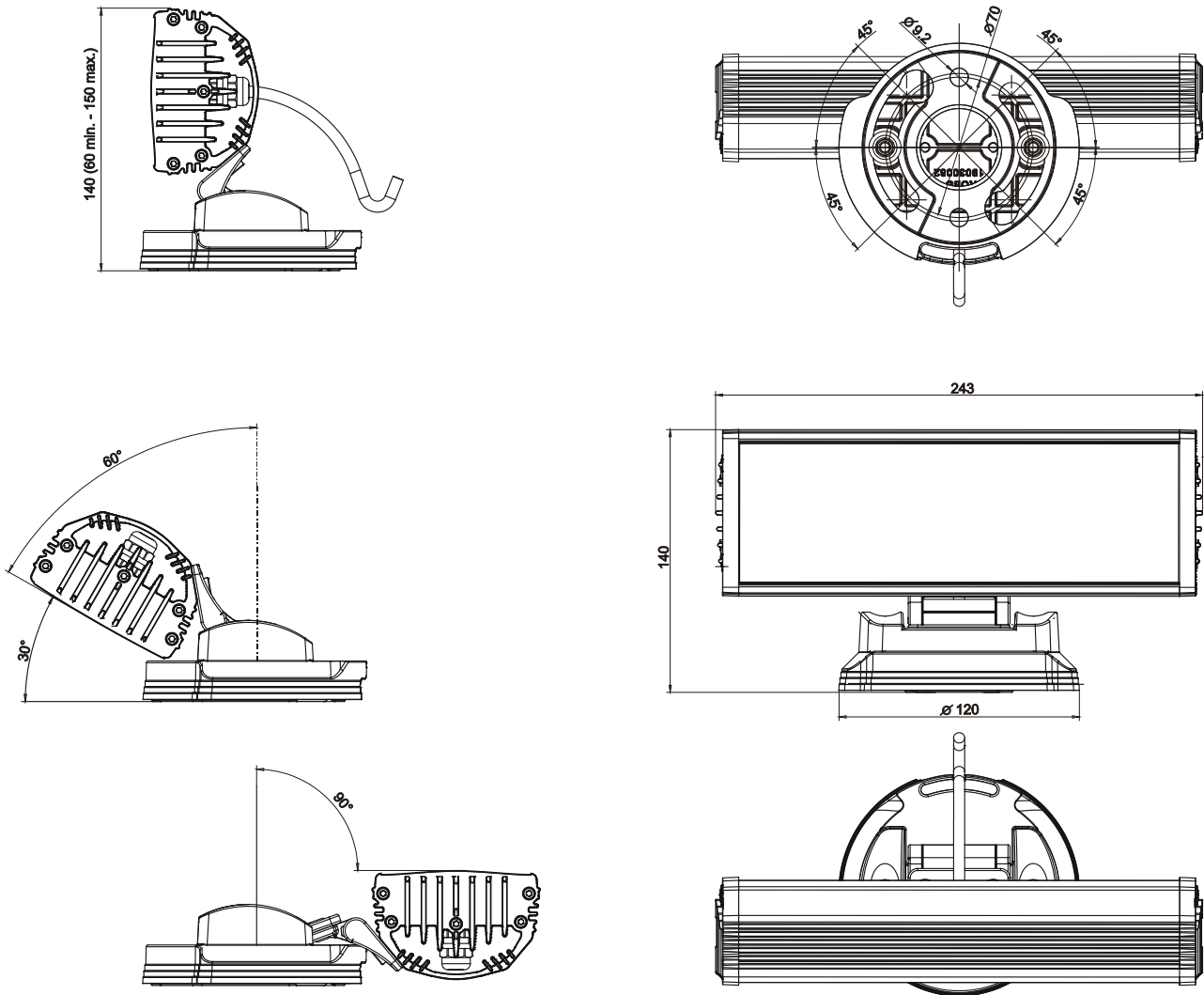
**\* Important:** If the ArcPower Unit or DRS is used for control of the ArcPad 48, correct LED current for each channel has to be set at zone to which the ArcPad 48 is connected. Example of the ArcPower Unit (DRS) setting for the ArcPad 48 RGBW:

Icon Configuration--> Setup Assistant -->Custom--> Channel 1(R)=420mA, Channel 2(G)=700mA, Channel 3(B)=700mA , Channel 4(W)=700mA .

Breach of the rule may cause overheating of the ArcPad 48!

#### 4. Dimensions:

(All dimensions are in mm)



#### 5. Accessories

1 x Connector Chogori CGRBDU-08BFFA (female)

#### 6. Optional Accessories

Adapter cable CGRBDU-08BFFA/RJ4 RJ45, L=3m (P/N 13051630)  
 Adapter cable CGRBDU-08BFFA/RJ4 RJ45, L=7m (P/N 13051631)  
 Adapter cable CGRBDU-08BFFA/RJ4 RJ45, L=15m (P/N 13051682)

*Specifications are subject to change without notice.*

*August 28, 2018*

*Version: 1.6*