

ArcPix tm



Client: _____

Project: _____

Specifier: _____

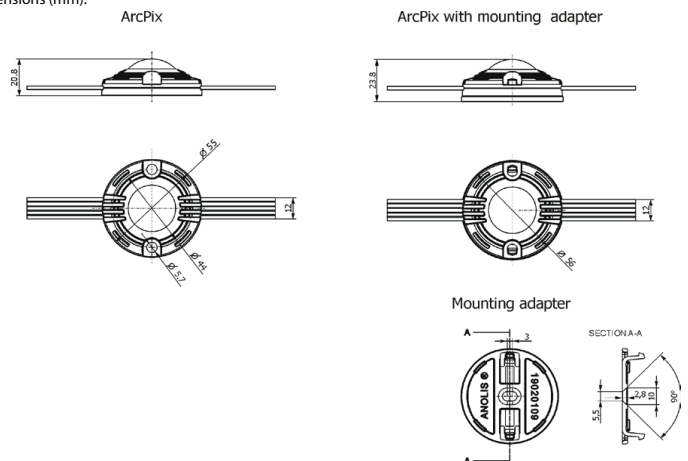
Type: _____ Qty: _____



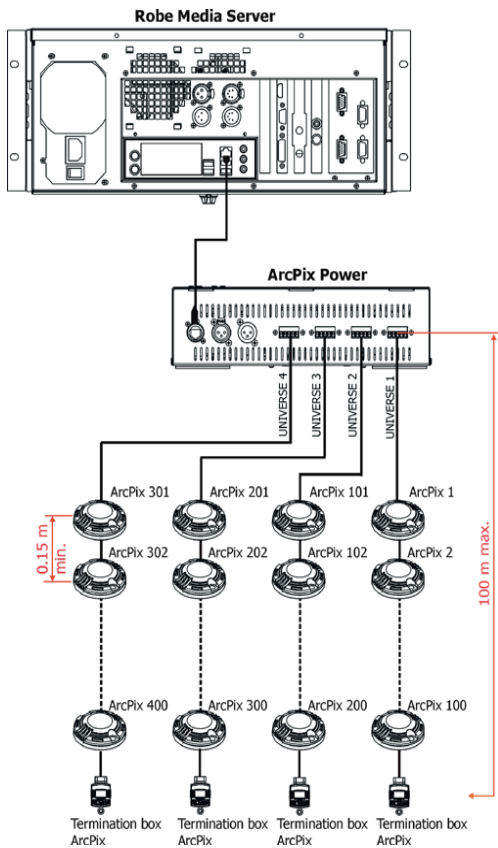
FEATURES:

- Input Voltage: 48V DC Via ArcPixel Power
- Power consumption: 0.8W
- Light Source: 1 x MC LED's
- Delivered Lumen: 24lm
- Projected LED Life: 50,000 Hrs
- Control: DMX Controller - Media Server
- Housing: Moulded Plastic - Plastic Cover
- Fixing Method: Fixing holes or Mounting Plate
- IP Rating: IP67
- Operating Ambient Temp: -20°C/+50°C [-4°F/+122°F]
- Certification: ETL / cETL, CE, RoHS
- 5 Year Warranty

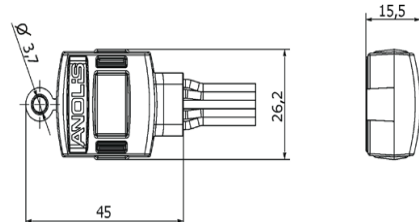
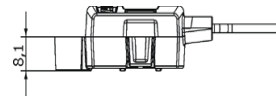
Dimensions (mm):



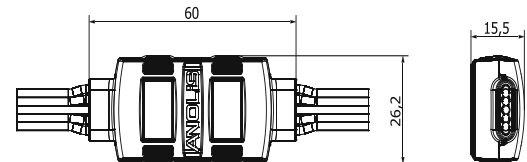
Connection Scheme:



Termination box ArcPix (optional)

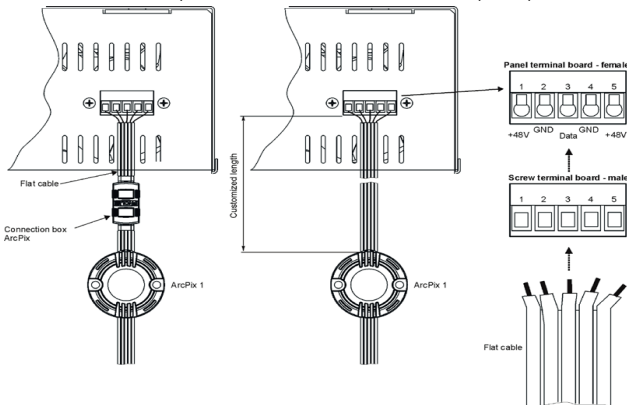


Connection box ArcPix (optional)



Accessories:

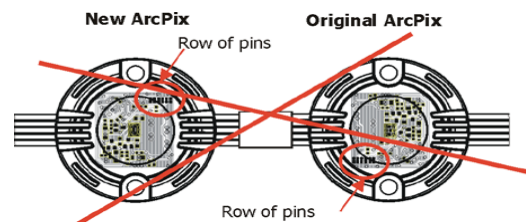
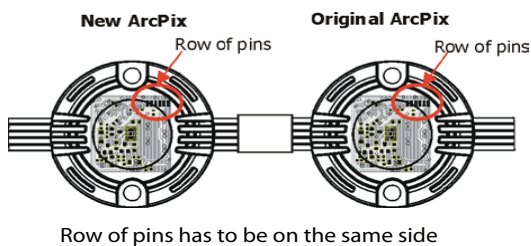
Connect ArcPixes to the LED outputs of the ArcPix Power (max. 100 ArcPixes per output). The first ArcPix



Termination Box



Connection Box



Product Specification:

Electrical	Input Voltage		48V DC
	Power Consumption		0.8W
Optical	Light Source		1 x MC High Power LED
		RGB	
	LED Channel		Red, Green, Blue
	Beam Angle		Non Optic
	Projected Lumen Maintenance		50,000 hrs (L70@ 25°C / 77°F)
Control	Wireless DMX (Optional Accessory)		N/A
	Control System		Anolis Lighting Controls or any Third Party DMX512 Controllers
	Power Supply		ArcPixel Power
	Stand Alone Control		N/A
Physical	Width x Height	Inches	ø2.21 x 0.95 (0.83 w/out mounting plate)
		mm	ø56 x 24 (21 w/out mounting plate)
	Weight	lbs	0.44
		kg	0.2
	Housing		Moulded Plastic Polycarbonate Cover
	Fixture Cable and Connections		5 Wire Flat Cable AWM 295720AWG - Factory Fitted Connector
	Fixing Method		Mounting Plate or Direct fixing
	Adjustability		N/A
	IP Rating		IP67
	IK Rating		N/A
	Cooling System		Convection
	Operating Ambient Temperature		-20°C / +50°C (-4°F / +122°F)
	Operating Temperature		+50°C @ Ambient +40°C (+122°F @ Ambient +104°F)
Certification	Listings		ETL / cETL, CE, RoHS

Subject to change without notice - please contact Anolis for clarification

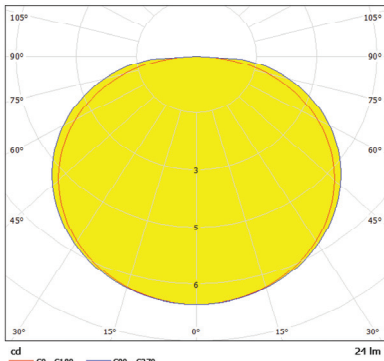
Accessories	Description
	Connection Cable (In meters)
	Connection Box
	Termination Box (1 Per Run)



Photometric Data:

For foot Candles divide lux by 10.7

Standard - Non Optic



Distance [m]	Lone Diameter [m]	E(P°)	E(C90)	E(C0)	Illuminance [lx]
0.5	2.32	28	66.7°	62.8°	1
	1.95	1			1
1.0	4.64	7	66.7°	62.8°	0
	3.60	0			0
1.5	6.97	3	66.7°	62.8°	0
	5.84	0			0
2.0	9.29	2	66.7°	62.8°	0
	7.78	0			0
2.5	11.61	1	66.7°	62.8°	0
	9.73	0			0
3.0	13.93	1	66.7°	62.8°	0
	11.67	0			0

Distance [m] Lone Diameter [m] Illuminance [lx]

— C0 - C180 (Half-value Angle: 125.6°)

— C90 - C270 (Half-value Angle: 133.4°)

Total Luminous Flux: 24lm