

Divine 72™



Client: _____

Project: _____

Specifier: _____

Type: _____ Qty: _____



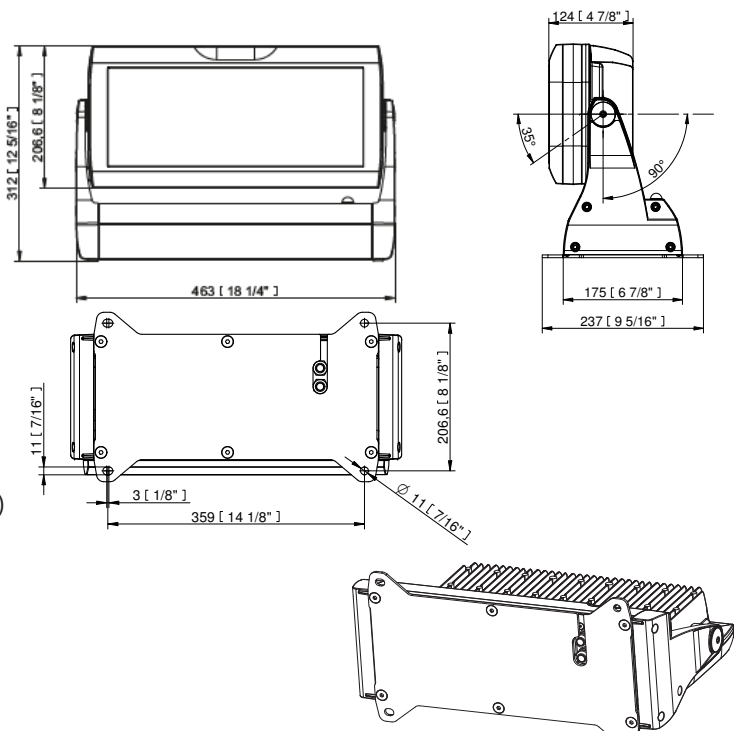
IP67



Dimensions include mounting adaptor

FEATURES:

- Input Voltage: 100-277V AC 50/60Hz
- Power consumption: 325W
- Light Source: 72 x High Power LED's
- Peak Intensity: 6573 Lx @ 10m
- Delivered Lumen: 10135lm (RGBW @ 6°)
- Projected LED Life: 60,000 Hrs (L70@ 25°C / 77°F)
- Control: DMX Controller
- Housing: High Pressure Die-Cast Aluminium
Tempered Glass
- Mounting Method:
Surface Mount, Flush (J-Box)
C-Clamp (Side Connection Only)
- IP Rating: IP67
- Operating Ambient Temp: -20°C/+40°C (-4°F/+104°F)
- Certification: ETL/cETL, CE, RoHS (Pending)
- 5 Year Warranty



Specification:

Electrical	Input Voltage		100-277V AC 50/60 Hz
	Power Consumption		325W
	In Rush Current		20A Cold Start, 25°C (77°F) Ambient, Full Load 115 VAC 30A Cold Start, 25°C (77°F) Ambient, Full Load 230 VAC
Optical	Light Source		72 x High Power LED's
		RGBW	W = CW-6500K
		PW	6500K
		CV	Custom Variant
	Colour Variant		RGB(CW), Pure White, Custom Variant
	Beam Angle		6°, 10°, 15°, 20°, 40°, 60°, 6°x60°, 6°x90°, 30°x90°
	CRI		70 (PW 6500K)
	Peak Intensity		6573 lx @ 10m
Lumen Output		10135m (RGBW 6° - CW all Leds on full)	
Projected Lumen Maintenance		60,000 hrs (L70@ 25°C / 77°F)	
Control	Control System		USITT DMX512, RDM, 0-10V (For single Colour Variants)
	Setting and Addressing		Via LCD Display, Inside the Junction Box (Easy Access Chassis Mounted LCD Display Available As An Option)
	Wireless DMX (Optional Accessory)		Lumen Radio CRMX Technology
	Control System		Anolis Lighting Controls or any Third Party DMX512 Controllers
	Power Supply		Integral
	Stand Alone Control		Yes
Physical	Width x Height x Depth		Inches mm 18.2 x 12.4 x 6.9/9.3 463 x 312 x 175/237
	Weight		lbs kg 37 16.8
	Housing		High Pressure Die-Cast Aluminium Body Tempered Glass
	Fixture Cable and Connections		Li9YC11Y Cable 3xAWG16+1x(2xAWG24) (Optional) Integrated Junction Box with Terminal Block
	Mounting Method		Surface Mount, Flush (J Box), C-Clamp (For Side Connection Only)
	Adjustability		+35° / -90°
	IP Rating		IP67
	IK Rating		IK10
	Cooling System		Convection
	Operating Ambient Temperature		-20°C / +40°C (-4°F / +104°F)
	Operating Temperature		+75°C @ Ambient + 40°C (+167°F @ Ambient + 104°F)
	Total Heat Dissipation		1500 BTU/h (Calculated)
	Certification	Listings	

Beam angles may vary depending on colour variant, please see photometric files for details

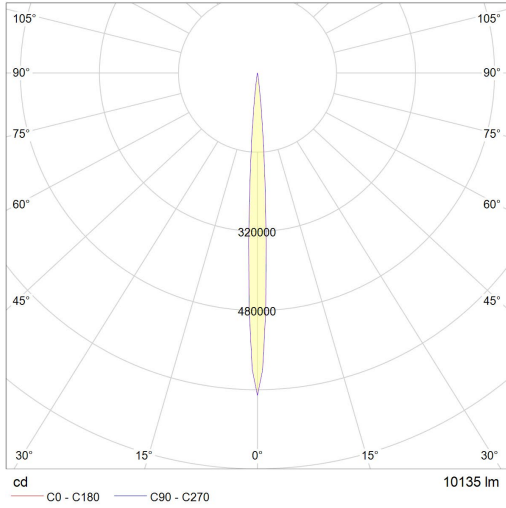
Subject to change without notice - please contact Anolis for clarification

Accessories	Description
	Surface Mounting Adaptor (Included)
1098 0357	Top Hat (Silver)
1098 0358	Half Top Hat (Silver)
1098 0363	C-Clamp Adaptor (Silver)
1098 0324	C-Clamp Adaptor Strobe IP/Divine (Black) Side connection Only
1098 0380	Barn Door Module (Black)
1098 0378	Barn Door Module (Silver)
1098 0371	Set of Rubber Feet

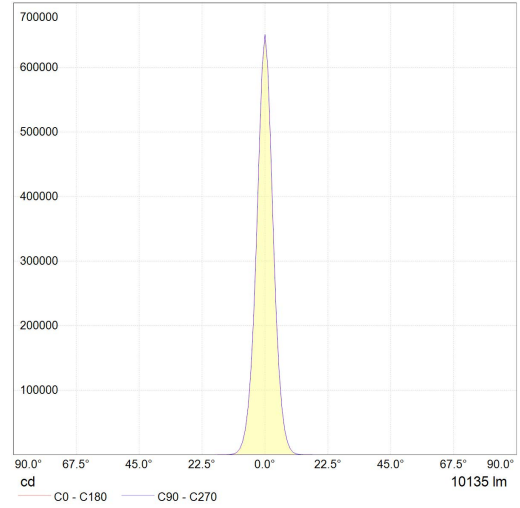
Photometric Data:

Divine 72 RGBCW 6°

Luminous emittance 1 / Polar LDC



Luminous emittance 1 / Linear LDC



Luminous emittance 1 / Cone diagram

