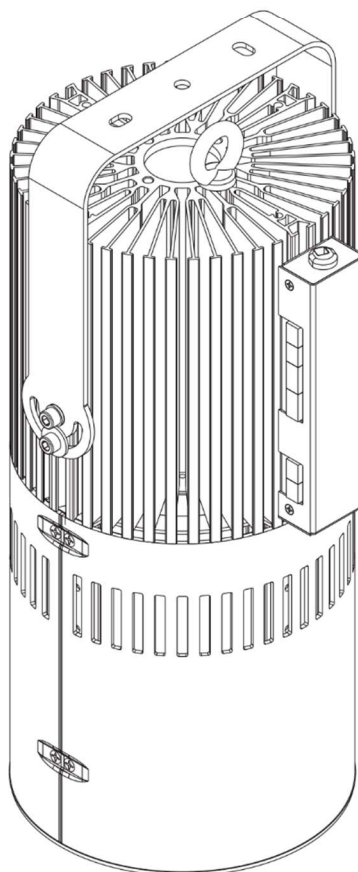


---

**ROBE**

---

# Ambiane XP



---

**USER MANUAL**

Version 1.1

---

ROBE® Lighting s.r.o. • Czech republic • [www.robe.cz](http://www.robe.cz)

## Table of contents

1. Attention.....	3
2. Installation .....	3
2.1. DMX and DALI address setting and control.....	5
3. RDM .....	7
4. DMX protocol.....	7
5. Technical specifications .....	8
6. Maintenance.....	10

## 1. Attention

The unit must be installed by a qualified electrician in accordance with all national and local electrical and construction codes and regulations.

The unit was designed for indoor use only.

Do not install the unit near highly inflammable liquids or materials.

Do not allow anything to rest on the unit.

Do not install the unit near an open flame.

Do not install the unit in dirty, dusty or badly ventilated location.

A ceiling (structure) intended for installation of the unit(s) must safely hold weight of the unit(s) placed on it.

Sufficient air accessing to the housing of the unit has to be ensured, there must not be any heat or anti-noise insulation within a 1m x 1m area around the unit (non-IC rated fixture).

Avoid looking directly into the light beam at close range!



Suitable for fastening on non-flammable surfaces only

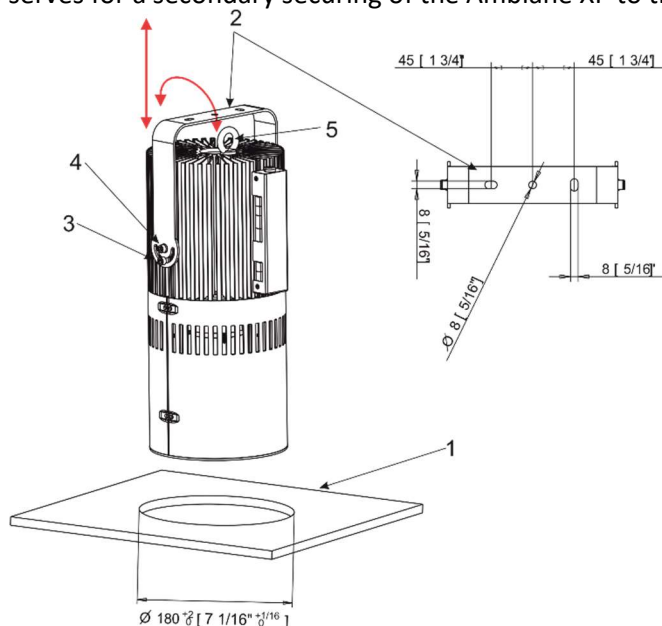


Unsuitable for covering by heat insulation material

## 2. Installation

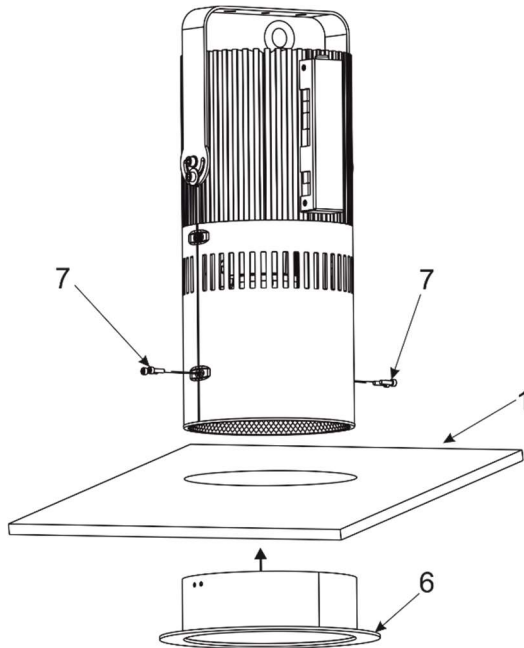
**Always switch off power supply of the unit before connecting or disconnecting the unit**

1. Prepare a circular opening in the lower ceiling (1) as shown on the picture below.
2. The U-holder (2) with three holes serves for fastening the Ambiane XP to the ceiling (construction).  
To move the U-holder (2) up/down, release both screws (3), (4) on each side of the unit.  
To tilt the U-holder in range of +/-90° from the vertical axis, release the screw (3) on each side of the unit  
Use the Allen key 5 to release/tighten screws (3) and (4).  
The mounting lug (5) serves for a secondary securing of the Ambiane XP to the ceiling (construction) .

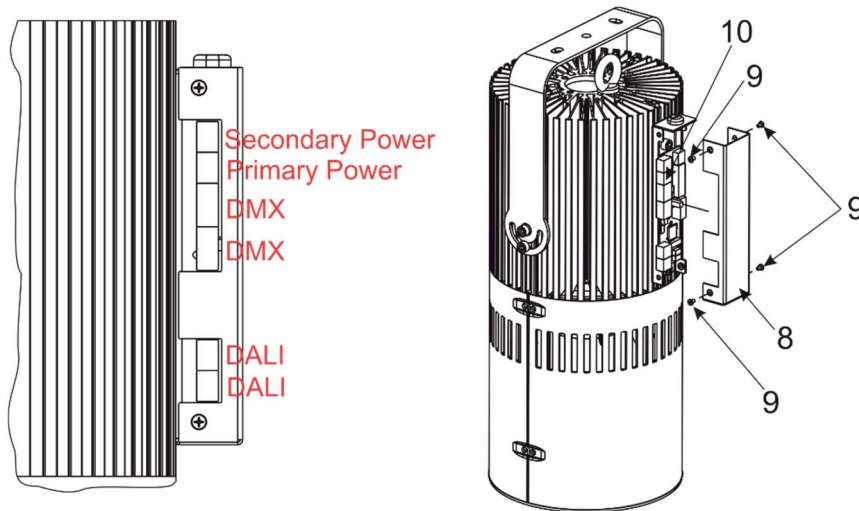


## Ambiane XP

3. The mounting adaptor (optional part) serves for covering of the opening in the lower ceiling (1) if it is needed.  
In order to install the mounting adaptor (6), unscrew two screws (7) on each side of the Ambiane XP and insert the mounting adaptor (6) into the housing of the Ambiane XP and secure it by means of the four screws (7).  
Note: The mounting adaptor has to be under lower ceiling before its inserting into the housing of the Ambiane XP.

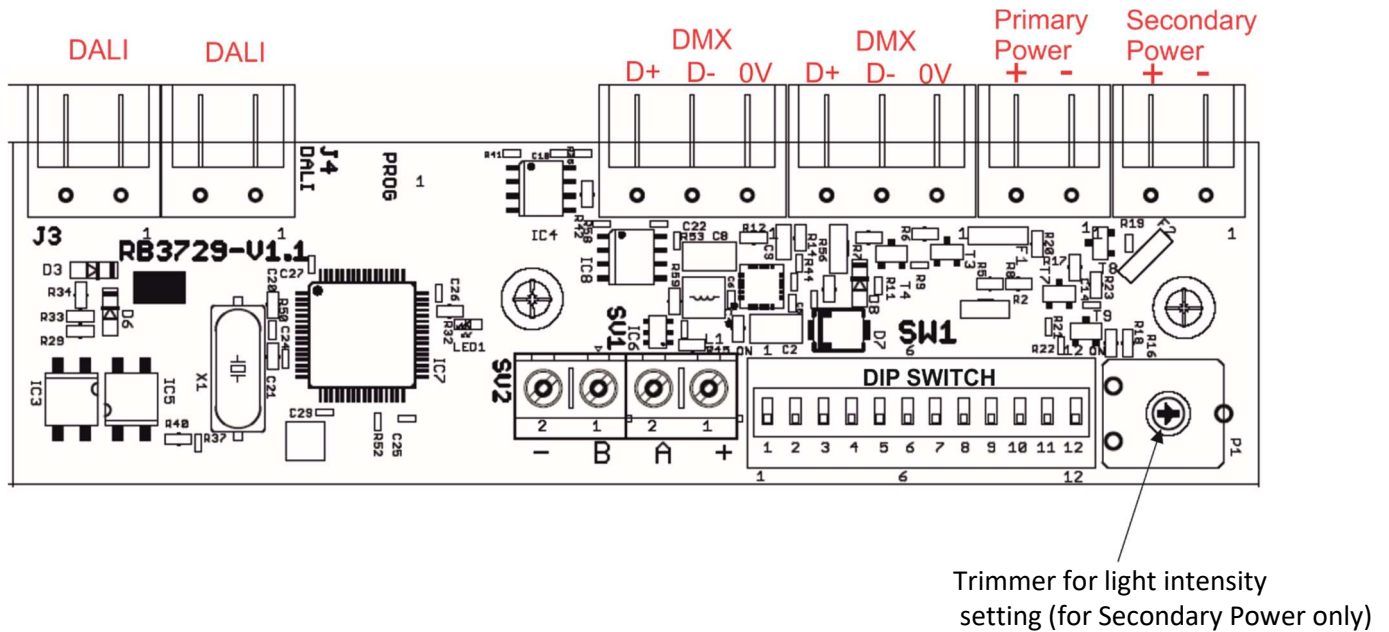


4. Connect cables to the Ambiane XP  
5. To get access to the control PCB RB3729 (10), unscrew the four screws (9) on the cover (8).



## Ambiane XP

The control PCB (RB3729-V1.1)



The primary power input serves for a standard power (e.g. ArcPower for Ambiane XP).

The secondary power input serves for a backup power (in case that primary power failed).

If both power inputs are under voltage, the primary power has a priority and the secondary power is disabled. In case of primary power loss, the secondary power is enabled.

If the fixture is supplied via the secondary power, the light output of the fixture is a white colour (3200K) and its light intensity can be set by a trimmer.

The fixture can be controlled by one of the following methods: DMX 512

DALI

The fixture is equipped with two DMX and DALI connection blocks for easy connection to DMX or DALI chain (In/Out method).

### DMX connection

Connector	Function
0V -	Shield
D+	Data (+)
D-	Data (-)

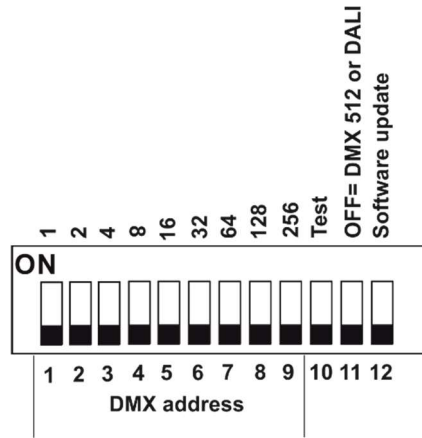
### Power connection

Connector	Function
+	Power +
-	Power -

## 2.1. DMX and DALI address setting and control

The DIP switch on the control PCB, allows you to set DMX address, run a test light and switch the fixture to the update mode in case of software update.

## Ambiane XP



DIP 10 - if switched to ON=test light (the fixture lights at 3200K)

DIP 11 - has to be switched to OFF position to receive DMX 512 or DALI

DIP 12 - change from OFF to ON position switches the fixture to the update mode.

### DMX control

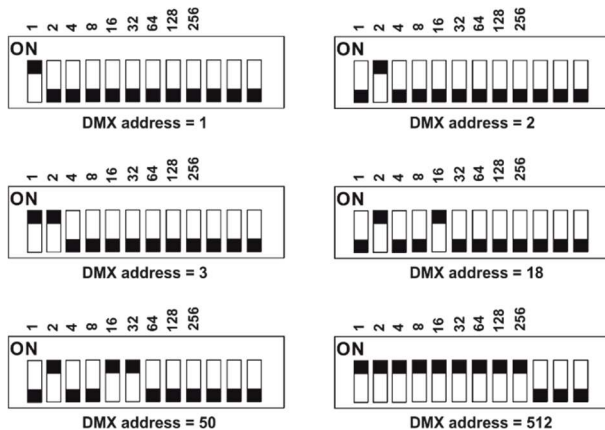
The DMX start address, is the first channel used to receive instructions from the DMX controller. The address may be any channel from 1 to 509. DMX address can be set either by DIP switch or by RDM. DMX address set by RDM overwrites address set by DIP switch and vice versa. The green LED on PCB signals way of DMX address setting:

LED lights-DMX address is set by means of the DIP switch.

LED does not light- DMX address is set by means of RDM.

The DIP 11 has to be set to OFF position.

Example of DMX addresses:



### DALI control

Addressing of the fixture has to be made by means of an external DALI controller. The external DALI controller has to send activating command (8=ON) if you need to start the permanent control of the fixture (fixture will not respond to DMX commands) and deactivating command (0=OFF) to stop the control of the fixture.

DIP 11 has to be set in OFF position.

Note: If DIP 11=OFF (fixture is controlled by DMX or DALI), the first coming command switches the fixture to the corresponding operation mode (DMX operation by a DMX command, DALI operation by a DALI command). E.g. the fixture stays in a DALI operation and coming DMX command switches the fixture to DMX operation. Next command is a DALI command and switches the fixture to the DALI operation etc. If you need the permanent DALI operation, you have to send a DALI command 8 to the fixture.

### 3. RDM

This fixture supports RDM operation. RDM (Remote Device Management) is a bi-directional communication protocol for use in DM X512 control systems, it is the new open standard for DMX512 device configuration and status monitoring.

RDM allows you to set a DMX address, select DMX mode and readout software version of the fixture.

### 4. DMX protocol

Version 1.0

Mode 1 Channel	Mode 2 Channel	Mode 3 Channel	DMX value	Function	Type of control
1	1	1	0-255	<b>Red</b> Red LEDs saturation control (0-100%)	proportional
-	-	2	0-255	<b>Red Fine</b> Red LEDs saturation control (min.-max.)	proportional
2	2	3	0-255	<b>Green</b> Green LEDs saturation control (0-100%)	proportional
-	-	4	0-255	<b>Green Fine</b> Green LEDs saturation control (min.-max.)	proportional
3	3	5	0-255	<b>Blue</b> Blue LEDs saturation control (0-100%)	proportional
-	-	6	0-255	<b>Blue Fine</b> Blue LEDs saturation control (min.-max.)	proportional
4	4	7	0-255	<b>White</b> White LEDs saturation control (0-100%)	proportional
-	-	8	0-255	<b>White Fine</b> White LEDs saturation control (min.-max.)	proportional
-	5	9	0-255	<b>Dimmer</b> Light intensity coarse (0 -100%)	proportional
-	6	10	0-255	<b>Dimmer Fine</b> Light intensity fine (min.-max.)	proportional

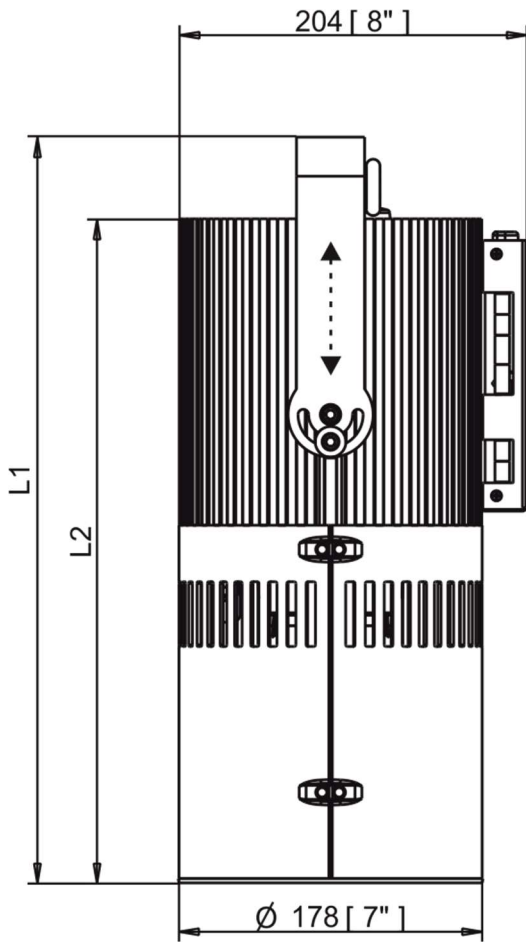
## 5. Technical specifications

Input voltage:	48V DC
Max. power consumption:	150W
Light source:	High Power LED module
Beam angle:	30°,45°, 60°
Projected Lumen Maintenance:	60.000 hrs (L70 @ 25 °C / 77 °F)
Colour Variants:	RGBW (W - 2700 K)
Control:	DMX, DALI , RDM
Settings/Addressing:	DIP Switch, RDM
DMX channels:	4 (Mode 1), 6 (Mode 2), 10 (Mode 3)
Power supply:	ArcPower for Ambiane XP or third party constant voltage 48 V/150W power supply
Operating ambient temp. range:	-20 °C / +40 °C (-4 °F / +104 °F)
Operating Temperature:	70 °C @ Ambient +40 °C (158 °F @ Ambient 104°F)
Total heat dissipation:	512 BTU/h (calculated)
Cooling:	convection
Housing:	High Pressure Die-Cast Aluminium Body
Weight:	
Ambiane XP 30°	6,6 kg/ 14,5 lbs
Ambiane XP 45°	6,7 kg/ 14,7 lbs
Ambiane XP 60°	7,0 kg/ 15,4 lbs
Installation method:	Recessed, via mounted bracket (cut-out diameter: 180 mm/7.08 in)
IC rating:	non-IC rated
Power/DMX/DALI connection:	terminal blocks (Phoenix Contact BCH-500HS-2GY/ BCH-500HS-3GN/ BCH-500HS-2GY)
Protection factor:	IP 20
<b>ArcPower for Ambiane (optional)</b>	
Type	MeanWELL ELG-240-48A
Input	100-240V~; 2.2A; 50/60Hz 277V~; 1,2A; 50/60Hz

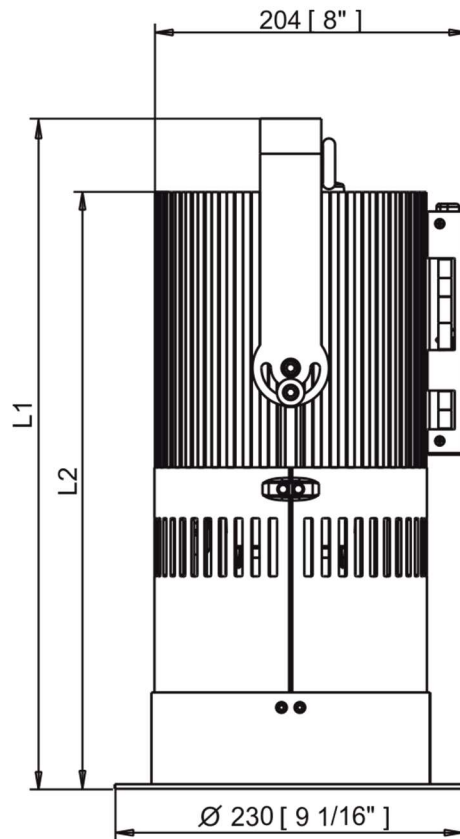
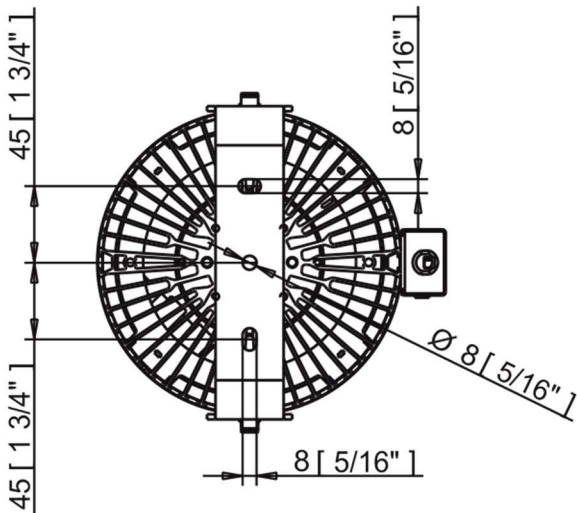
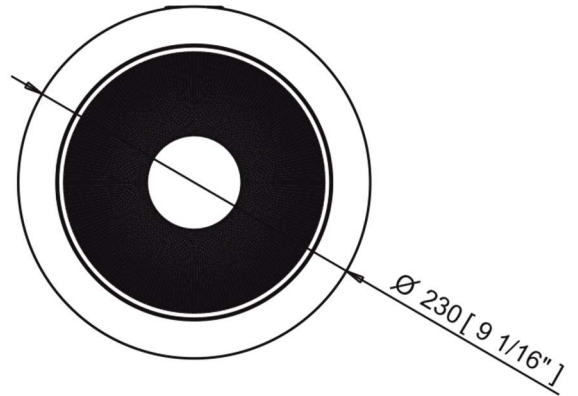


Ambiane XP

Dimensions  
mm [inch]



Ambiane XP with mounting adaptor



Dimension L1 depends on U-holder position  
 Ambiane XP 30°, L1=448 [17 5/8"] – 528 [20 13/16"]  
 Ambiane XP 45°, L1=423 [16 5/8"] – 503 [19 13/16"]  
 Ambiane XP 60°, L1=394 [15 1/2"] – 474 [18 11/16"]

Ambiane XP 30°, L2=390 [15 3/8"]  
 Ambiane XP 45°, L2=365 [14 3/8"]  
 Ambiane XP 60°, L2=336 [13 1/4"]

**Included items**

- 1 x Ambiane XP
- 1 x Set of cable connectors
- 1 x User manual

**Optional accessories**

- Mounting adaptor
- ArcPower for Ambiane

## 6. Cleaning and maintenance

***Disconnect from the mains before starting any maintenance or cleaning work***

Keep the fixture clean, especially light source and the ribbed housing.  
Maintenance and service operations are only to be carried out by a qualified person.  
Should you need any spare parts, please use ROBE OEM parts.

### 6.1 Disposing of the product

To preserve the environment please dispose or recycle this product at the end of its life according to the local regulations and codes.

*Specifications are subject to change without notice*

*September 19, 2019*

Made in CZECH REPUBLIC by ROBE LIGHTING s.r.o. Palackeho 416/20 CZ 75701 Valasske Mezirici