

EMINERE™ CABLE & CONNECTORS

LEADER CABLE

- for connecting E-box with first Eminere. Order together with Waterproof End Cap which has to be installed to the last Eminere's output connector.



Cable CE Leader - LED Output

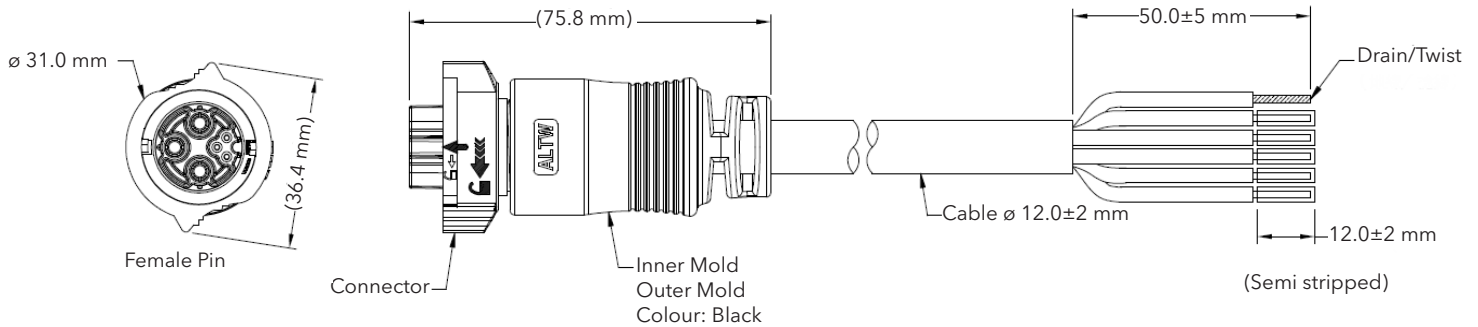
WIRE	POWER CONNECTION	WIRE	DATA CONNECTION
Brown	L	Orange	Data - (D-)
Blue	N	Purple	Data + (D+)
Green	Ground	Shielding	Data Ground (0V)



Cable US Leader - LED Output

WIRE	POWER CONNECTION	WIRE	DATA CONNECTION
Black	L	Orange	Data - (D-)
White	N	Red	Data + (D+)
Green	Ground	Shielding	Data Ground (0V)

DIMENSION



SPECIFICATION

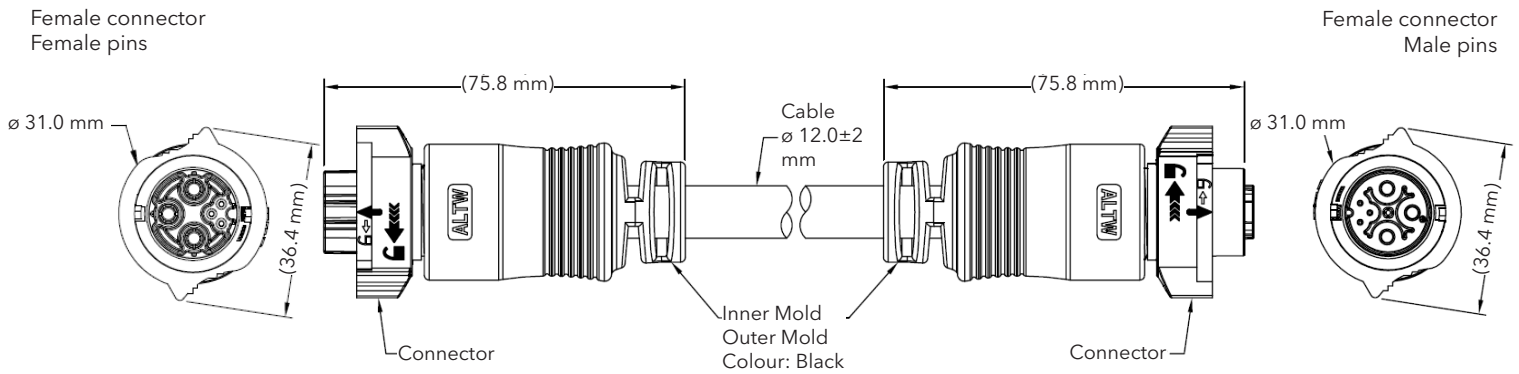
FEATURES	Lenght	Standard	2m 5m 10m 25m 50m	
		On Request	Other lengths	
Colour	Cable	Black		
	Connector	Black		
ELECTRICAL & CONTROL	Cable Type	CE US		
	Conductors		CE	US
		Power conductors	3x 2 mm ²	3x 14AWG
	Data conductors	1x 0.2 mm ²	3x 24AWG	
Fixture Voltage	120 - 277 V			
Operating Temperature	-40 °C / +105 °C (-40 °F / +221 °F)			
RATINGS & CERTIFICATIONS	IP Rating	IP67 unmated		
	Certifications	ETL / cETL, CE, RoHS		

JUMPER CABLE

- for connection between two Emineres.



DIMENSION



SPECIFICATION

FEATURES	Lenght	Standard	0.25m 0.5m 1m 2m 3m 5m 10m
		On Request	Other lengths
	Colour	Cable	Black
		Connector	Black
PHYSICAL	Fixture Voltage	120 - 277 V	
	Operating Temperature	-40 °C / +105 °C (-40 °F / +221 °F)	
RATINGS & CERTIFICATIONS	IP Rating	IP67 unmated	
	Certifications	ETL / cETL, CE, RoHS	

FIELD INSTALLABLE CONNECTOR

- for special cases, where Jumper Cable can't be used. Then use Leader Cable with Field installable connector to make a connection between Emirenes. According the diameter of cable choose the right size of seal which should fit tightly to cable jacket (two sizes of Seal included).

Female connector
Female pins

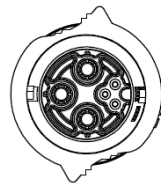


Female connector
Male pins

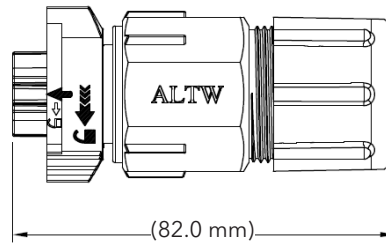


DIMENSION

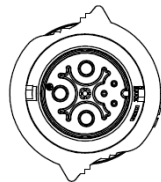
Female connector
Female pins



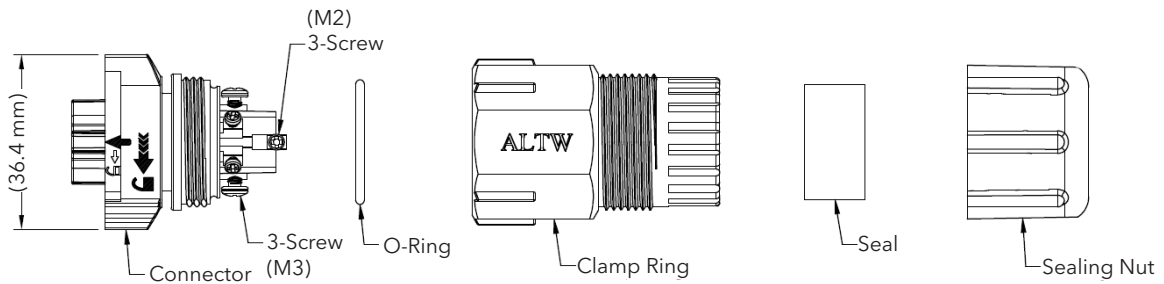
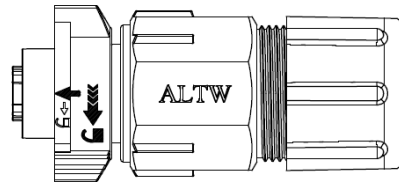
(F Conn. F Pin)



Female connector
Male pins



(F Conn. M Pin)



SPECIFICATION

FEATURES	Colour	Cable	Black
		Connector	Black
	Connector type	FF FM	
	Seal	ø 8.0 ~10.0mm	ø 10.0 ~14.5mm
	Operating Temperature	-40 °C / +105 °C (-40 °F / +221 °F)	
RATINGS & CERTIFICATIONS	IP Rating	IP67 mated	
	Certifications	ETL / cETL, CE, RoHS	

CABLE CE / US



Cable CE Leader - LED Output

WIRE	POWER CONNECTION	WIRE	DATA CONNECTION
Brown	L	Orange	Data - (D-)
Blue	N	Purple	Data + (D+)
Green	Ground	Shielding	Data Ground (0V)

Cable US Leader - LED Output

WIRE	POWER CONNECTION	WIRE	DATA CONNECTION
Black	L	Orange	Data - (D-)
White	N	Red	Data + (D+)
Green	Ground	Shielding	Data Ground (0V)

SPECIFICATION

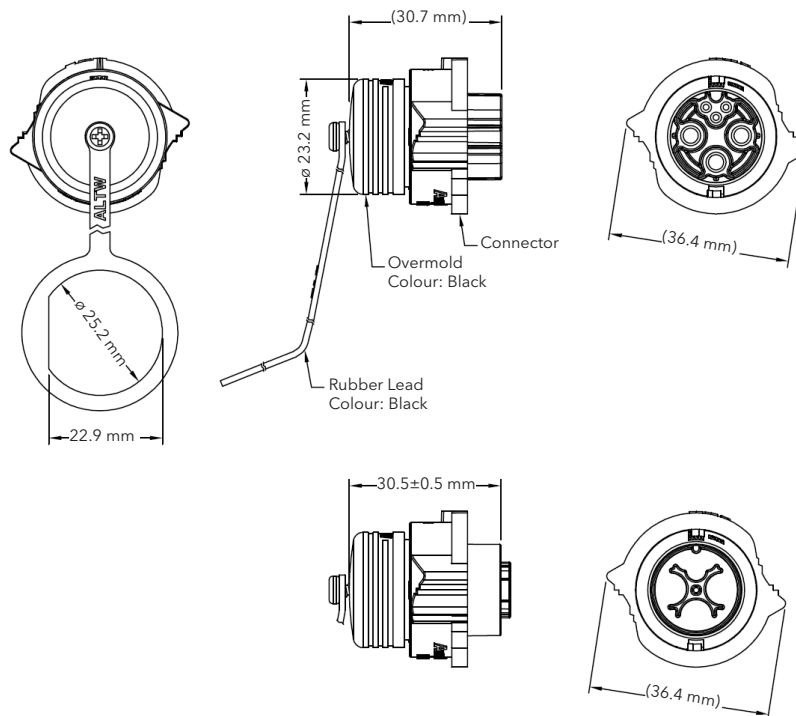
FEATURES	Lenght	On Request	
		Black	
ELECTRICAL & CONTROL	Cable Type	CE US	
	Conductors	CE	US
		Power conductors	3x 2 mm ²
	Data conductors	1x 0.2 mm ²	3x 24AWG
Fixture Voltage	120 - 277 V		
Operating Temperature	-40 °C / +105 °C (-40 °F / +221 °F)		
RATINGS & CERTIFICATIONS	IP Rating	IP67 unmated	
	Certifications	ETL / cETL, CE, RoHS	

WATERPROOF END CAP

- Install at the end of line to the last Emineres output connector.



DIMENSION



SPECIFICATION

FEATURES	Colour	Black
	Operating Temperature	-40 °C / +105 °C (-40 °F / +221 °F)
RATINGS & CERTIFICATIONS	IP Rating	IP67 mated
	Certifications	ETL / cETL, CE, RoHS