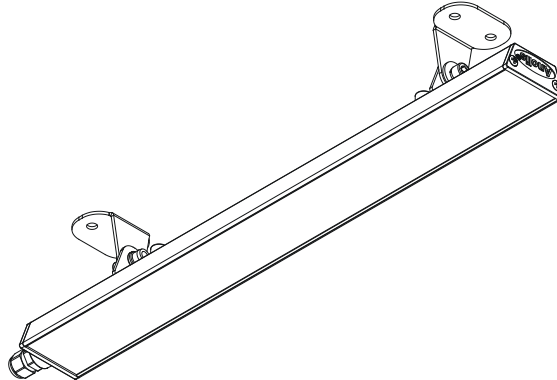


User instructions

ArcLine 20 MC, ArcLine 40 MC

The modules generate colored light by means of the RGBW LED multichips. The products were designed to use with the ArcPower drivers and for indoor use only.

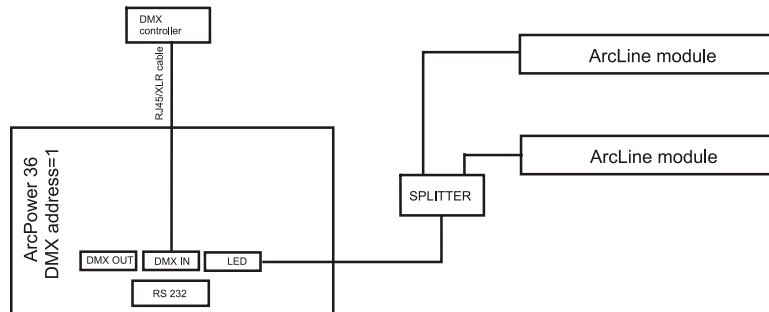


1. Attention

- Do not install the module near high inflammable liquids or materials
- Do not allow anything to rest on the module
- Do not use the module near high humidity or water or expose to the rain
- Do not install the module near the naked flames
- Do not install the module in dirty, dusty or badly ventilated location

2. Installation

The ArcLine Optic unit should be connected to the ArcPower drivers - See ArcPower 36/72/144/360 user manuals for full details of mains power requirements and DMX operation.



ArcLine Optic units are supplied with 1.5 m of cable for direct connection to the ArcPower drivers.

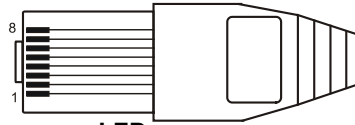
CAUTION!
Avoid looking directly into the LED light beam at close range!

Maximum possible number of LED modules connected to the one ArcPower 36 (or one LED output zone of the ArcPower 72/144/360) is mentioned in the table below.

Module	Number of LED multichips	Max. number of connected modules	Compatible power supplies
ArcLine 20 MC	5	2	ArcPower 36/72/144/360
ArcLine 40 MC	10	1	ArcPower 36/72/144/360

3.RJ45 pin connection

RJ45 plug
(View facing pins)



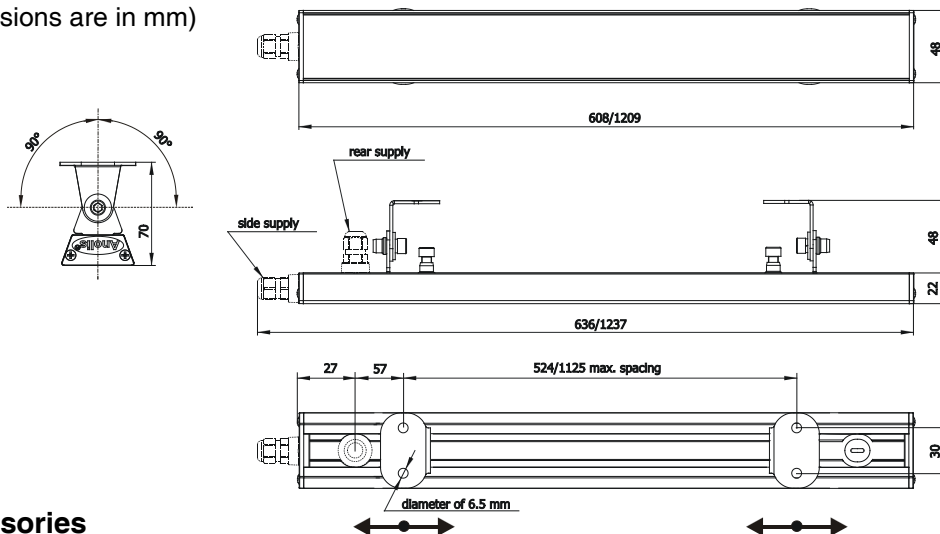
Pin	Colour of wire	LED
1	White/orange	Red LED +
2	Orange	Green LED +
3	White/green	Blue LED +
4	Blue	White LED +
5	White/blue	Red LED -
6	Green	Green LED -
7	White/brown	Blue LED -
8	Brown	White LED -

4. Technical specifications:

Parameter	ArcLine 20 MC	ArcLine 40 MC
Max. power consumption:	22W	44W
Max. Input Current per colour:	350 mA	350 mA
LED Device:	Cree MC-E RGBW multichip	Cree MC-E RGBW multichip
Number of LED multichips:	5	10
Typical Lumen Maintenance:	70% @ 60,000 hours	70% @ 60,000 hours
Led Life Expectancy:	60,000 hours	60,000 hours
Compatible Power Supplies:	ArcPower 36/72/144/360	ArcPower 36/ 72/144/ 360
Operating Ambient Temp. Range:	-20°C/+40°C	-20°C/+40°C
Surface temperature @ 25°C:	38°C	38°C
Cooling System:	convection	convection
Optical System:	98°	98°
Construction:		
Housing:	precision extruded aluminium	precision extruded aluminium
Transparent cover:	frosted glass	frosted glass
Weight:	0.9 kg	1.7 kg
Ingress Protection:	IP 2X	IP 2X
Flammability:	94V-0 flame class rating	94V-0 flame class rating
Power /Data plug:	RJ45	RJ45
Power /Data cable	24 AWG x 4P, category 5e 1.5 m long	24 AWG x 4P, category 5e 1.5m long

5. Dimensions:

(All dimensions are in mm)



6. Accessories

- Allen key.....1 piece
- Splitter (No. 13050690).....1 pcs (only ArcLine 20 MC)

7. Maintenance

- Keep the module dry.
- Operate only in places where the sufficient airflow to cool the module is present
- Periodically clean the front transparent cover. Use a moist, lint-free cloth. Never use alcohol or solvents!