

ArcControl DRS™



Client: _____

Project: _____

Specifier: _____

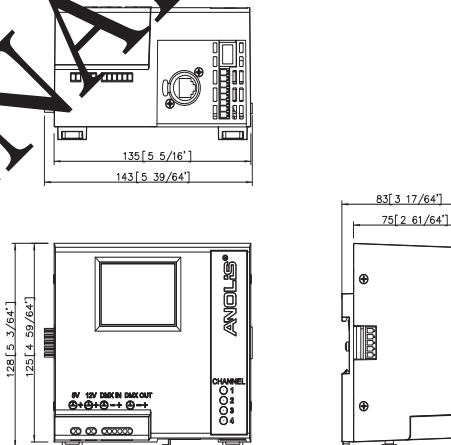
Type: _____ Qty: _____



FEATURES:

- Input Voltage: 48V (US Version 30W)
- Control: DMX 512, USITT, Artnet
- DMX, Stand Alone
- Touch Screen Display
- Max 16 Zones
 - ArcControl Includes 1 Zone
 - Up to 15 ArcZones Modules
- Housing: Moulded Plastic
- Fixing Method: Din Rail
- IP Rating: IP2X
- Operating Ambient Temp: 50°C (+122°F)
- Certification: ETL / cETL, CE, RoHS
- 5 Year Warranty

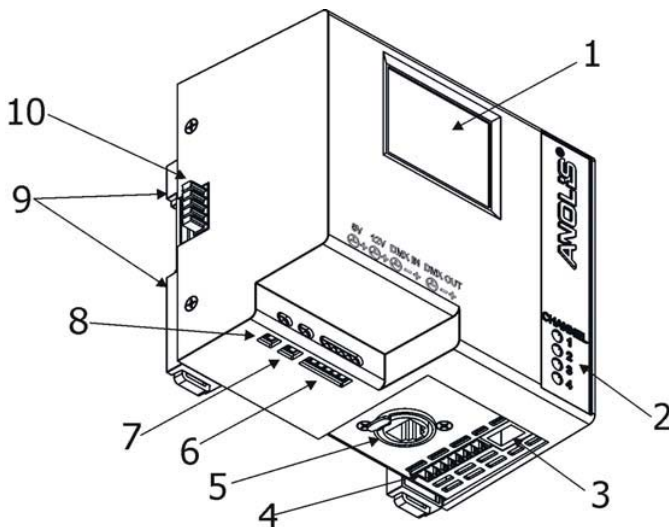
PRELIMINARY



How To Order							
	GROUP	VARIANT	SIZE	COLOUR	OPTIC	FINISH	OPTIONS
ARC	1	2	3	4	5	6	7
	CON	DRS					
ARC CONTROL DRS							
ARC	CON	DRS					

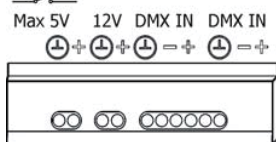
For use with ArcPower DRS (See Specification Sheet)

Product Connection:



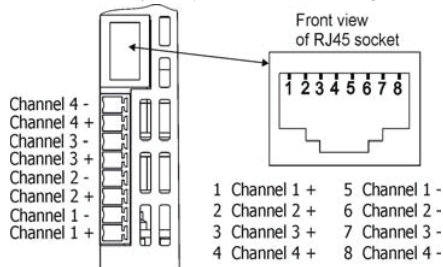
- 1 - Touch screen
- 2 - Control LEDs
- 3 - LED module output (RJ45)
- 4 - LED module output (pluggable terminal block)
- 5 - Ethernet (RJ45)
- 6 - DMX IN/OUT (terminal block)
- 7 - 12V DC (terminal block)
- 8 - input for trigger (terminal block)
- 9 - Holders for 35mm DIN rail
- 10 - Interconnecting terminal block

ArcControl DRS
DMX In/Out, 12V,
trigger input (max. 5V)



ArcControl DRS/ArcZone DRS
LED outputs

Note: only one output can be used for connecting LED modules!



Product Specification:

Electrical	Input Voltage	48V (US version 30V)	
Control	Interface Protocol	USITT DMX512, ArtNet	
	Operation Modes	DMX, Stand Alone	
	Display	Graphic Touch Display (50 x 40 / 1.97 x 1.57)	
	Number of LED OutPut Zones	Max 16 (1 Zone ArcControl DRS + Up to 15 ArcZone Modules)	
Physical	Width x Height x Depth	Inches	5.3 x 4.9 x 3.3
		mm	135 x 125 x 83
	Weight	lbs	1.1
		kg	0.5
	DMX Connection	Terminal Block In/Out (Screw, 3-Wire)	
	ArtNet Connection	RJ45	
	5V and 12V Connection	Terminal block (Screw)	
	Fixing Method	Din Rail Lock	
	DMX channels and DMX Modes	Yes	
	Built in Programs	1	
	Editable Programs	3 (Up To 40 Steps)	
	Lighting effects	RGBW Colour Mixing	Virtual Colour wheel
		16-Bit Dimming 0-100%	White Colour Balance Adjusting
IP Rating		IP2X	
IK Rating		N/A	
Cooling System	Convection		
Operating Temperature Range	0°C / +50°C (32°F / +122°F)		
Certification	Listings	ETL / cETL, CE, RoHS	

Accessories	Description
	Din Rail Clamp
	Din Rail

