



Leading Lighting Solutions

PRODUCT GUIDE

2018



ANOLIS was established to design and manufacture high-quality LED lighting products.

Since its conception, ANOLIS has gone from strength to strength, producing a constantly expanding range of products with a well balanced mix of innovation, imagination and experience. This, together with state-of-the-art lighting technology, has created a market leading range.

Reliability is the first priority. ANOLIS uses only the best components and precision manufacturing techniques, ensuring that the brand offers all the benefits associated with LED lighting: extreme efficiency, long life, low maintenance and low heat.

By combining these characteristics with industry-standard dimensions and flexible control options, true specifier-class lighting systems can be created.

ANOLIS products can be seen in a wide variety of applications worldwide, and is embraced by many market sectors including architectural, commercial, industrial, transport, retail, domestic and entertainment lighting.

From discreet white colour-controlled accent lighting to full RGBW building illumination, ANOLIS products present lighting designers and architects with creative solutions for the most demanding client requirements.

All ANOLIS products meet the relevant product directives and bear the CE mark. Most also bear the ETL mark, and approval for the remaining products is currently pending.

Maintaining a close working relationship with the leading component manufacturers ensures that ANOLIS stays at the forefront of the ever-evolving LED market. New technologies are constantly allowing higher output and greater efficiency which continues to open up new market opportunities.

ANOLIS is the professional choice - both now and for the future.

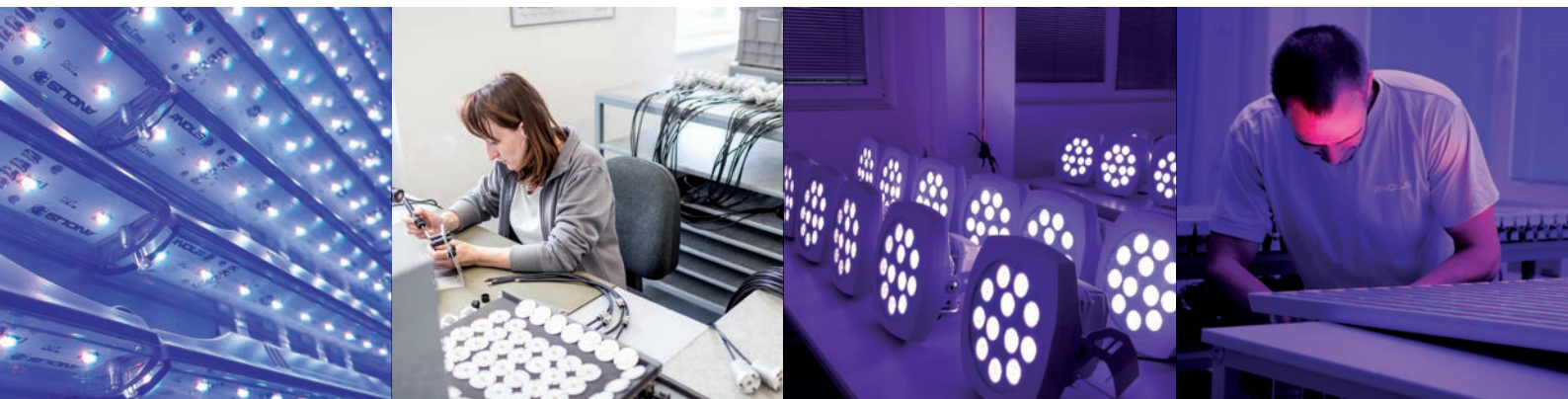


ANOLIS ADVANTAGES

As the global LED lighting market is currently growing at a phenomenal rate, there are many choices for today's lighting designers and installers. When considering LED lighting, it is important to choose a manufacturer who can provide the quality of both the product and level of service to ensure the required results are achieved. Anolis is able to offer the highest quality of product, supported by a global distribution network to ensure service levels to match.

- Anolis manufactures all of its LED products from the highest quality components available. Working closely with the world's leading component suppliers ensures the reliability and consistency required by today's wide range of lighting projects.
- Anolis LED products are designed, tested and manufactured at our state of the art European manufacturing facility in the Czech Republic. Complete control over all stages of the manufacturing process combined with a vigorous testing process ensures the highest level of quality control, giving designers and specifiers the confidence to choose Anolis.
- Keeping all stages of the manufacturing process in house allows Anolis to respond rapidly to custom products. The in-house Design and R&D team are able to work closely with clients to produce custom designed products for the most challenging projects.
- Anolis is able to offer a complete LED solution manufacturing both LED luminaries as well as the LED drivers and controllers ensuring a matched system is available for the widest range of applications.
- Anolis custom software is utilised in all Anolis drivers to constantly monitor LED performance, drive currents continually adjusted to ensure optimum performance of LEDs ensuring the maximum benefits of LED technology are achieved at all times.
- Anolis products are covered by all relevant technology patents, meaning they can be specified with the utmost confidence.
- Anolis products meet or exceed internationally recognized standards including CE, *ETL/UL, and SELV giving peace of mind to designers, specifiers and installers.

* (Anolis is continually developing its product range therefore please check individual products for conformity)



ANOLIS LED GREEN STATEMENT

Governments and lighting professionals worldwide all agree that the recent advances in LED technology hold tremendous potential to conserve energy on a global scale.

Until recently LED light sources have been restricted to specialty applications, due to their poor overall light output however LEDs have progressed greatly and are now able to compete with conventional lighting technology in virtually all applications.

Today's advanced LED lamp sources are often capable of being five or more times as efficient than incandescent and halogen lamp sources, and exceed the efficiency of most fluorescent technologies. LED based technology continues to be the fastest developing technology within the lighting industry.

It is not only low power consumption that makes LED lighting environmentally acceptable. Generally they have much longer lifetimes than conventional sources which translates to lower maintenance and replacement costs meaning less waste as they are inherently free of mercury and other harmful elements. In short, low voltage energy efficient LED lighting systems help lighting professionals make ecologically-sound design choices today, while promising to have a greater positive impact on the future environment.

Currently it is estimated that up to 20% of global electricity production is consumed by lighting! LED lighting technology offers lighting specifiers, designers and architects the ability to make a real difference for tomorrow.

Government directives have already been introduced around the world effectively beginning the phasing out of inefficient incandescent and halogen light sources. NOW is the time to choose LED lighting solutions.





Somerset House - London, The United Kingdom

Photo credit: David Morrell

Divine ArcPad ArcSource Integral

Divine™ 160 RGBW, PW, SW ▶ **Pg. 8**



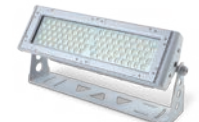
Divine™ 60 UV ▶ **Pg. 9**



ArcPad™ Xtreme ▶ **Pg. 10**



ArcPad 94™ Integral ▶ **Pg. 11**



ArcPad™ 48 Integral ▶ **Pg. 12**



ArcSource™ 96 Integral ▶ **Pg. 13**



ArcPad™ Zoom 48MC ▶ **Pg. 14**



Divine™ 160 RGBW, PW, SW

The Anolis Divine™ 160 is a high-performance 440W luminaire with phenomenal light output that can be used for a variety of architectural lighting scenarios including the application of dynamic colour changing effects to building exteriors and façades, or illuminating complete areas with subtle CCT controllable white light. The Divine™ is available in numerous configuration options including optics for flood or accent lighting. RGBW, SmartWhite or PureWhite in a variety of colour temperatures combined with different mounting options and accessories make Divine™ a truly flexible solution.



TECHNICAL SPECIFICATIONS:

ELECTRICAL

Input Voltage 100-277V AC 50/60 Hz
 Typical Power Consumption 440W +/-10%
 In Rush Current 20A Cold start, 25 °C ambient, full load 115 VAC;
 30A Cold start, 25 °C ambient, full load 230 VAC

OPTICAL

Light Source 40 x Multichip LEDs
 Colour Variants RGBWW (WW-3200K), RGBNW (NW-4000K), RGBCW (CW-6500K),
 PW (2700K, 4000K, 6600K), SW (2700-8200K)
 Red/Green/Blue/White, Pure White, Smart White
 Beam Angle RGBW: 16°, 24°, 41°
 PW, SW: 13°, 25°, 39°
 Lumen Output Delivered 11836lm (RGBCW 16° CW-6500K, all LEDs on full)
 Projected Lumen Maintenance 60,000 hrs (L70@ 25°C / 77°F)

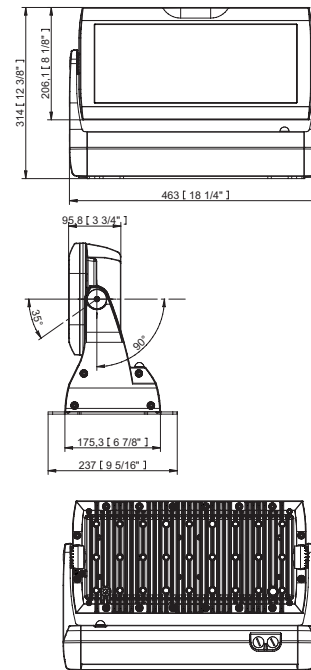
CONTROL

Display LCD Display (Inside Integrated Junction Box)
 Chassis Mounted LCD Display (optional)
 Wireless DMX (Option) Lumen Radio CRMX Technology
 Interface Protocol USITT DMX512, RDM, 0-10V (for Single Color Variants)
 Control System ArcControl range or any Third Party Controllers
 Operating Modes DMX, Standalone
 Programs / Functions / Features Editable Program: 1 (up to 40 steps)
 Settings / Addressing Via LCD Display
 Power Supply Integrated

PHYSICAL

Width x Height x Depth 463 x 314 x 175/237 mm (18.2 x 12.4 x 6.9/9.3 in)
 Weight 14.5 kg / 32 lbs
 Housing High Pressure Die-Cast Aluminium Body
 Tempered Glass
 Finish Options Silver (Standard), Black/White/Custom RAL (cost option)
 Cables / Connections Integrated Junction Box w/Terminal Block
 Recommended: LI9YC11Y Cable 3xAWG16+1x(2xAWG24)
 Mounting Method Surface Mount, Flush (J-Box), C-Clamp (for side connection only)
 Adjustability +35° / -90°
 Protection Factor IP67 / Suitable For Wet Locations
 IK Rating IK10
 Cooling System Convection
 Operating Ambient Temperature -20°C / +40°C (-4°F / +104°F)
 Operating Temperature +75°C @ Ambient +40°C (+167°F @ Ambient +104°F)
 Total Heat Dissipation 1500 BTU/h (calculated)

DIMENSIONS mm [in]:



CERTIFICATION

Listings ETL / cETL, CE, RoHS

ACCESSORIES

Surface Mount Adaptor (included)
 Top Hat
 Half Top Hat
 Wire Guard/Anti-Glare
 C-Clamp Adaptor
 Barn Door Module
 Set of Rubber Feet

Divine™ 60 UV

The Anolis Divine™ 60 UV is a breakthrough in true UV illumination - a 180 Watt all-LED luminaire providing superb UV output levels at 365nm. Precision UV-stable components are housed in an IP67 rated casing with flexible mounting options enabling rapid installation, making it perfect for themed environments and events of all types. Perfectly suited for both indoor and outdoor environments, the Divine™ 60 UV is an ideal choice for theme parks, attractions, leisure facilities and entertainment events requiring a true UV 'black light' effect.



TECHNICAL SPECIFICATIONS:

ELECTRICAL

Input Voltage	100-277V AC 50/60 Hz
Typical Power Consumption	180W +/-10%
In Rush Current	20A Cold start, 25 °C ambient, full load 115 VAC; 30A Cold start, 25 °C ambient, full load 230 VAC

OPTICAL

Light Source	60 x UV LEDs
Wave Length	365nm (peak)
Beam Angle	38°
Projected Lumen Maintenance	16,000 hrs (L70@ 25°C / 77°F)

CONTROL

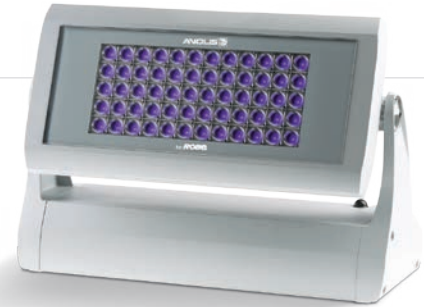
Display	LCD Display (Inside Integrated Junction Box) Chassis Mounted LCD Display (optional)
Wireless DMX (Option)	Lumen Radio CRMX Technology
Interface Protocol	USITT DMX512, RDM, 0-10V
Control System	ArcControl range or any Third Party Controllers
Operating Modes	DMX, Standalone
Programs / Functions / Features	Editable Program: 1 (up to 40 steps)
Settings / Addressing	Via LCD Display
Power Supply	Integrated

PHYSICAL

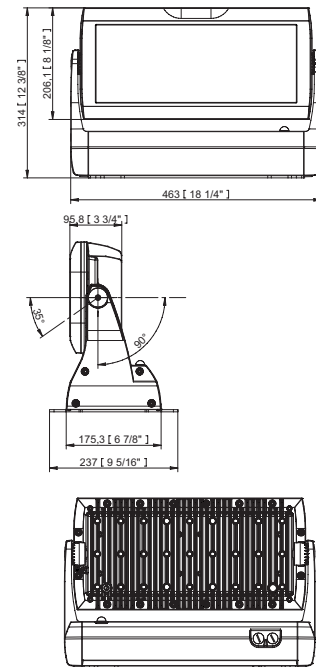
Width x Height x Depth	463 x 314 x 175/237 mm (18.2 x 12.4 x 6.9/9.3 in)
Weight	14.5 kg / 32 lbs
Housing	High Pressure Die-Cast Aluminium Body Tempered Glass
Finish Options	Silver (Standard), Black/White/Custom RAL (cost option)
Cables / Connections	Integrated Junction Box w/Terminal Block Recommended: Li9YC11Y Cable 3xAWG16+1x(2xAWG24)
Mounting Method	Surface Mount, Flush (J-Box), C-Clamp (for side connection only)
Adjustability	+35° / -90°
Protection Factor	IP67 / Suitable For Wet Locations
IK Rating	IK10
Cooling System	Convection
Operating Ambient Temperature	-20°C / +40°C (-4°F / +104°F)
Operating Temperature	+75°C @ Ambient +40°C (+167°F @ Ambient +104°F)
Total Heat Dissipation	680 BTU/h (calculated)

CERTIFICATION

Listings	ETL / cETL, CE, RoHS
----------	----------------------



DIMENSIONS mm [in]:



ACCESSORIES

- Surface Mount Adaptor (included)
- Top Hat
- Half Top Hat
- Wire Guard/Anti-Glare
- C-Clamp Adaptor
- Set of Rubber Feet
- Adaptor Black Glass

ArcPad™ Xtreme

ArcPad™ Xtreme is a special fixture with two independent LED modules. LEDs are densely populated, providing extremely bright light output. The fixture is completely silent due to the convection cooling. The IP67 rating means it can be used for exterior installations.

ArcPad™ Xtreme is an ideal fixture for illuminating large buildings and landscapes, thanks to the high light output of the LED modules. The unique combination of RGBW LED colours delivers a stunning light quality, not seen in other competitive products on the market.



TECHNICAL SPECIFICATIONS:

ELECTRICAL

Input Voltage 100-240V AC 50/60 Hz (CE), 100-277V AC 50/60 Hz (US)
Typical Power Consumption 590W +/-10%

OPTICAL

Light Source 188 x High Power LEDs
Colour Variants RGBWW (WW-3200K), RGBCW (CW-6500K), PW (3200K, 4300K, 6500K), SW (3200-6500K)
Red/Green/Blue/White, Pure White, Smart White, Custom Array
Beam Angle 10°, 23°, 44°, 14°x26°
Lumen Output Delivered 16108lm (RGBCW 10° CW-6500K, all LEDs on full)
29354lm (PW 10° 3200K)
Projected Lumen Maintenance 77,000 hrs (L70 @ 25°C / 77°F)

CONTROL

Display No Display
Wireless DMX (Option) Lumen Radio CRMX Technology
Interface Protocol USITT DMX512, RDM
Control System ArcControl range or any Third Party Controllers
Operating Modes DMX, Master/Slave, Standalone
Programs / Functions / Features Editable Program: 3 (up to 68 steps each)
Settings / Addressing Via RDM communicator or Robe Universal Interface (RUNIT)
Power Supply Integrated (standard), Extended (EPS optional, not for US)

PHYSICAL

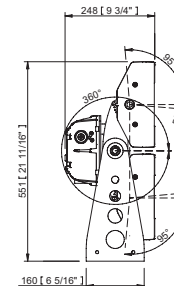
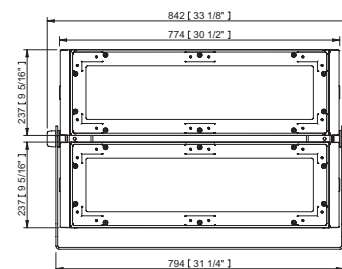
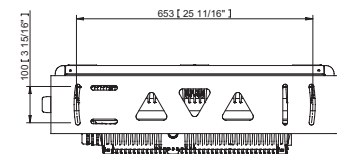
Width x Height x Depth 842 x 551 x 248 mm (33.15 x 21.7 x 9.76 in)
Weight 57 kg / 125.7 lbs
Housing High Pressure Die-Cast Aluminium Body
Tempered Glass
Finish Options Silver (Standard), Black/White/Custom RAL (cost option)
Cables / Connections Li9YC11Y Cable 3xAWG16+1(2xAWG24), Junction Box
Mounting Method Yoke
Adjustability +95° / -5°, LED Modules and PSU +/-180°
Protection Factor IP67 / Suitable For Wet Locations
Cooling System Convection
Operating Ambient Temperature -20°C / +40°C (-4°F / +104°F)
Operating Temperature +85°C @ Ambient +40°C (+185°F @ Ambient +104°F)

CERTIFICATION

Listings ETL / cETL, CE, RoHS



DIMENSIONS mm [in]:



ACCESSORIES

Junction Box (included)
Gasket Cable Grommet M20 (included)
Barn Doors
Top Hat
Half Top Hat

ArcPad™ 94 Integral

ArcPad™ 94 Integral is an LED outdoor fixture, LEDs are densely populated producing a high light output. ArcPad™ 94 Integral is an ideal fixture to illuminate tall buildings and structures. The RGBW LED configuration delivers stunning light quality not seen in other competitive products on the market.



TECHNICAL SPECIFICATIONS:

ELECTRICAL

Input Voltage 100-240V AC 50/60 Hz (CE), 100-277V AC 50/60 Hz (US)
 Typical Power Consumption 300W +/-10%

OPTICAL

Light Source 94 x High Power LEDs
 Colour Variants RGBWW (WW-3200K), RGBCW (CW-6500K), PW (3200K, 4300K, 6500K), SW (3200-6500K) Red/Green/Blue/White, Pure White, Smart White, Custom Array
 Beam Angle 10°, 23°, 44°, 14°x26°
 Lumen Output Delivered 8054lm (RGBCW 10° CW-6500K, all LEDs on full) 14677lm (PW 10° 3200K)
 Projected Lumen Maintenance 77,000 hrs (L70@ 25°C / 77°F)

CONTROL

Display No Display
 Wireless DMX (Option) Lumen Radio CRMX Technology
 Interface Protocol USITT DMX512, RDM
 Control System ArcControl range or any Third Party Controllers
 Operating Modes DMX, Master/Slave, Standalone
 Programs / Functions / Features Editable Program: 3 (up to 68 steps each)
 Settings / Addressing Via RDM communicator or Robe Universal Interface (RUNIT)
 Power Supply Integrated (standard), Extended (EPS optional, not for US)

PHYSICAL

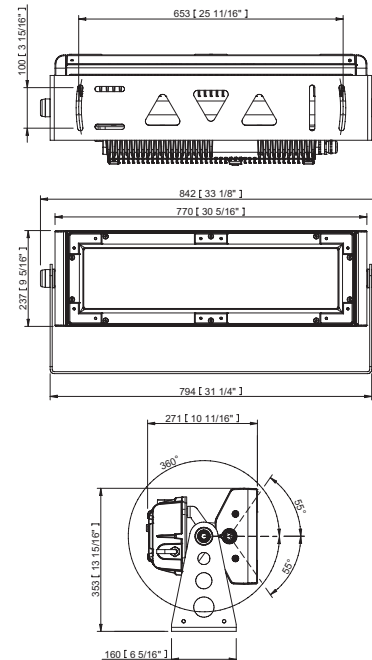
Width x Height x Depth 842 x 353 x 271 mm (33.15 x 13.9 x 10.67 in)
 Weight 39 kg / 86 lbs
 Housing High Pressure Die-Cast Aluminium Body
 Finish Options Tempered Glass
 Cables / Connections Silver (Standard), Black/White/Custom RAL (cost option)
 Mounting Method Li9YC11Y Cable 3xAWG16+1(2xAWG24), Junction Box Yoke
 Adjustability +/-55°, LED Module and PSU +/-180°
 Protection Factor IP67 / Suitable For Wet Locations
 Cooling System Convection
 Operating Ambient Temperature -20°C / +40°C (-4°F / +104°F)
 Operating Temperature +85°C @ Ambient +40°C (+185°F @ Ambient +104°F)

CERTIFICATION

Listings ETL / cETL, CE, RoHS



DIMENSIONS mm [in]:



ACCESSORIES

Junction Box (included)
 Gasket Cable Grommet M20 (included)
 Barn Doors
 Top Hat
 Half Top Hat

ArcPad™ 48 Integral

All the features of the hugely successful ArcPad™ 48 are combined with integral power and data in the ArcPad™ 48 Integral, allowing replacement of existing lighting technology with dynamic LED fittings without the need or expense of installing data cables thanks to the wireless control option available. Extremely high output to physical size ratio and high IP rating of ArcPad™ 48 allow for dramatic lighting schemes to be created with ArcPad™ 48 Integral whether it be dynamic white lighting or full spectrum RGBW.



TECHNICAL SPECIFICATIONS:

ELECTRICAL

Input Voltage 100-240V AC 50/60 Hz (CE), 100-277V AC 50/60 Hz (US)
 Typical Power Consumption 60W +/-10%
 In Rush Current 40A Max - 10ms

OPTICAL

Light Source 48 x High Power LEDs
 Colour Variants RGBWW (WW-3000K), RGBCW (CW-6500K), PW (3000K, 4000K, 6500K), SW (3000-6500K), R, G, B, A
 Red/Green/Blue/White, Pure White, Smart White, Red, Green, Blue, Amber
 Beam Angle 13°, 26°, 45°, 13°x38°
 Lumen Output Delivered 2784lm (RGBCW 13° CW-6500K, all LEDs on full)
 2522lm (PW 13° 3000K)
 Projected Lumen Maintenance 60,000 hrs (L70@ 25°C / 77°F)

CONTROL

Display No Display
 Wireless DMX (Option) Lumen Radio CRMX Technology
 Interface Protocol USITT DMX512, RDM
 Control System ArcControl range or any Third Party Controllers
 Operating Modes DMX, Master/Slave, Standalone
 Programs / Functions / Features Editable Programs: 3 (up to 68 steps each)
 Settings / Addressing Via RDM communicator or Robe Universal Interface (RUNIT)
 Power Supply Integrated

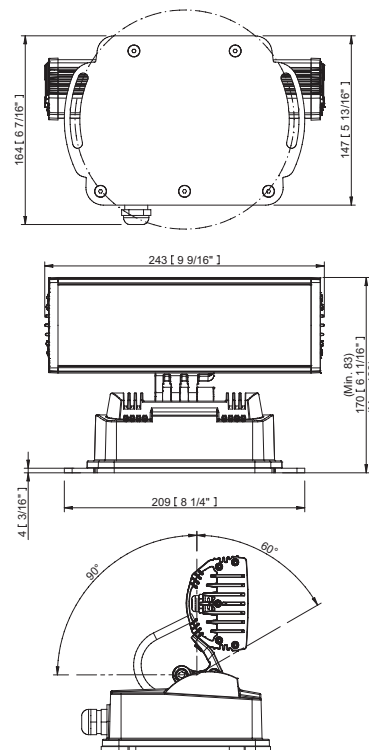
PHYSICAL

Width x Height x Depth 243 x 170 x 164 mm (9.57 x 6.69 x 6.46 in)
 Weight 3 kg / 6.6 lbs
 Housing High Pressure Die-Cast Aluminium Body
 Tempered Glass
 Finish Options Silver (Standard), Black/White/Custom RAL (cost option)
 Cables / Connections Li9YC11Y Cable 3xAWG16+1(2xAWG24), Junction Box
 Mounting Method Mounting Plate
 Adjustability Pan +/-17°, Tilt +60° / -90°
 Protection Factor IP67 / Suitable For Wet Locations
 IK Rating IK10
 Cooling System Convection
 Operating Ambient Temperature -20°C / +40°C (-4°F / +104°F)
 Operating Temperature +80°C @ Ambient +40°C [+176°F @ Ambient +104°F]

CERTIFICATION

Listings ETL / cETL, CE, RoHS

DIMENSIONS mm [in]:



ACCESSORIES

Junction Box (included)
 Gasket Cable Grommet M20 (included)
 Barn Doors
 Top Hat
 Half Top Hat

ArcSource™ 96 Integral

The Anolis ArcSource™ 96 Integral uses the advanced technology of the highly successful ArcPad™ 48 Integral while providing more power and light output as is often required by today's lighting projects. Housed in compact IP67 rated aluminium housing, the 96 high brightness LED provides unbelievable light output previously unavailable in an LED fixture of this size. Control is via DMX/RDM allowing for advanced programming options, up to date technology ensures stable white balance is achieved as well as a minimum life expectancy of 76,000 hours. Available in a variety of colour options including RGBWW, RGBCW, RGBA and a range of static white as well as the popular Smart White dynamic white variant, the ArcSource™ 96 Integral is a truly versatile fixture that can be specified in the most demanding of interior and exterior lighting schemes.



TECHNICAL SPECIFICATIONS:

ELECTRICAL

Input Voltage 100-240V AC 50/60 Hz (CE), 100-277V AC 50/60 Hz (US)
 Typical Power Consumption 200W +/-10%
 In Rush Current 40A Max - 10ms

OPTICAL

Light Source 96 x High Power LEDs
 Colour Variants RGBWW (WW-3000K), RGBCW (CW-6500K), PW (3000K, 4000K, 6500K), SW (3000-6500K), R, G, B, A
 Red/Green/Blue/White, Pure White, Smart White, Red, Green, Blue, Amber 13°, 25°, 44°, 32°x12°
 Beam Angle 7896lm (RGBCW 13° CW-6500K, all LEDs on full)
 Lumen Output Delivered 8920lm (PW 13° 6500K)
 Projected Lumen Maintenance 76,000 hrs (L70 @ 25°C / 77°F)

CONTROL

Display 4-digit LED display w/ 4 control buttons
 Wireless DMX (Option) Lumen Radio CRMX Technology
 Interface Protocol USITT DMX512, RDM
 Control System ArcControl range or any Third Party Controllers
 Operating Modes DMX, Master/Slave, Standalone
 Programs / Functions / Features Editable Program: 3 (up to 68 steps each)
 Settings / Addressing Via 4-digit LED display w/ 4 control buttons
 Power Supply Integrated

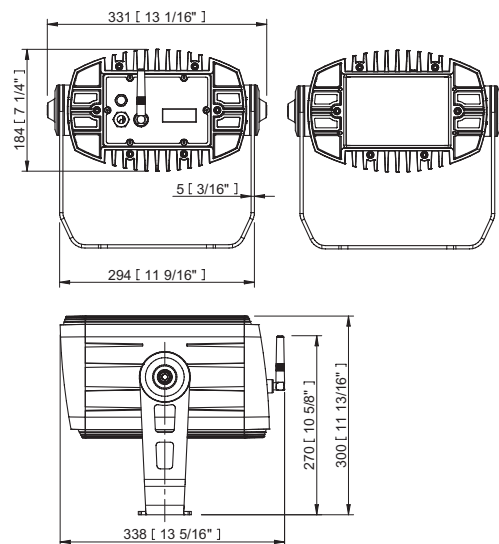
PHYSICAL

Width x Height x Depth 331 x 300 x 338 mm (13.03 x 11.81 x 13.3 in)
 Weight 11 kg / 24.3 lbs
 Housing Cast Aluminium
 Tempered Glass
 Finish Options Silver (Standard), Black/White/Custom RAL (cost option)
 Cables / Connections Li9YC11Y Cable 3xAWG16+1(2xAWG24), Junction Box
 Mounting Method Yoke / Floor Stand (optional)
 Adjustability 360°
 Protection Factor IP67 / Suitable For Wet Locations
 IK Rating IK07
 Cooling System Convection
 Operating Ambient Temperature -20°C / +40°C [-4°F / +104°F]
 Operating Temperature +80°C @ Ambient +40°C [+176°F @ Ambient +104°F]

CERTIFICATION

Listings ETL / cETL, CE, RoHS

DIMENSIONS mm [in]:



CERTIFICATION

Listings ETL / cETL, CE, RoHS

ACCESSORIES

Junction Box (included)
 Gasket Cable Grommet M20 (included)
 Barn Doors
 Top Hat
 Half Top Hat
 Floor Stand
 Anti-Glare/Guard

ArcPad™ Zoom 48MC

The latest addition to the versatile Anolis ArcPad™ range brings high output multichip technology and an electronic zoom to widen even further the number of applications for which it can be specified.

Beam angles can be electronically adjusted to give both dynamic effects for façade illumination as well as extremely accurate focusing for static lighting schemes. Combining a high IP rating of 67 with an Impact Rating of 10 the ArcPad™ Zoom 48MC can withstand virtually all climatic conditions.



TECHNICAL SPECIFICATIONS:

ELECTRICAL

Input Voltage	100-277V AC 50/60 Hz
Typical Power Consumption	150W +/-5%
In Rush Current	15Apk max. at initial cycle @ 230V AC, 25°C ambient

OPTICAL

Light Source	12 x 15W Multichip LEDs
Colour Variants	RGBCW (CW-6300K), PW (6300K), SW (2700-7100K) Red/Green/Blue/White, Pure White, Smart White
Beam Angle	Linear motorized Zoom 8°-44° [via DMX]
Lumen Output Delivered	2983lm (RGBCW 8° CW-6300K, all LEDs on full) 3682lm (SW 8°4900K, all LEDs on full)
Projected Lumen Maintenance	60,000 hrs (L70@ 25°C / 77°F)

CONTROL

Display	Two-row LCD display w/ 4 control buttons
Wireless DMX (Option)	Lumen Radio CRMX Technology
Interface Protocol	USITT DMX512, RDM
Control System	ArcControl range or any Third Party Controllers
Operating Modes	DMX, Standalone
Programs / Functions / Features	Editable Program: 1 (up to 40 steps)
Settings / Addressing	Via Two-row LCD display w/ 4 control buttons
Power Supply	Integrated

PHYSICAL

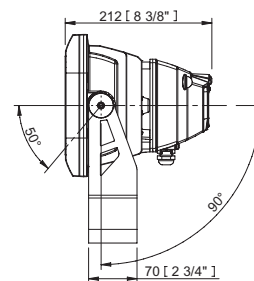
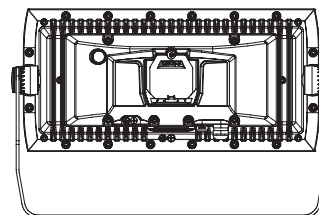
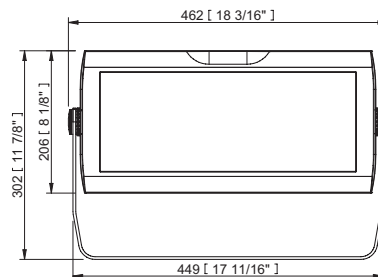
Width x Height x Depth	462 x 302 x 212 mm (18.19 x 11.89 x 8.35 in)
Weight	11.6 kg / 26.57 lbs
Housing	High Pressure Die-Cast Aluminium Body Tempered Glass
Finish Options	Silver (Standard), Black/White/Custom RAL (cost option)
Cables / Connections	Li9YC11Y Cable 3xAWG16+1(2xAWG24), Junction Box
Mounting Method	Yoke / Floor Stand (optional)
Adjustability	+50° / -90°
Protection Factor	IP67 / Suitable for wet locations
IK Rating	IK10
Cooling System	Convection
Operating Ambient Temperature	-20°C / +40°C [-4°F / +104°F]
Operating Temperature	+65°C @ Ambient +40°C [+149°F @ Ambient +104°F]

CERTIFICATION

Listings	ETL / cETL, CE, RoHS
----------	----------------------



DIMENSIONS mm [in]:



ACCESSORIES

Junction Box (included)
Floor Stand
Top Hat
Half Top Hat



Waddesdon Manor - Buckinghamshire, The United Kingdom



Western Concourse at Kings Cross Station - London, The United Kingdom

Photo credit: Thomas Graham

ArcSource Outdoor & Inground

ArcSource™ 1MC ▶ **Pg. 18**



ArcSource™ Outdoor 4MC ▶ **Pg. 19**



ArcSource™ Outdoor 16MC ▶ **Pg. 20**



ArcSource™ Outdoor 16MC Integral ▶ **Pg. 21**



ArcSource™ Outdoor 24MC ▶ **Pg. 22**

ArcSource™ Outdoor 48MC



ArcSource™ Outdoor 24MC Integral ▶ **Pg. 23**

ArcSource™ Outdoor 48MC Integral



ArcSource™ 24MC Submersible ▶ **Pg. 24**



ArcSource™ Inground 24MC Integral ▶ **Pg. 25**



ArcSource™ 1MC

The Anolis ArcSource™ 1MC provides seamless colour mixing and offers the best homogeneous colour output from a single point multichip LED source. The Anolis ArcSource™ 1MC is powered by the Anolis ArcPower™ range of drivers.



TECHNICAL SPECIFICATIONS:

ELECTRICAL

Typical Power Consumption 4.4W
Input Current 350mA (max. per channel)

OPTICAL

Light Source 1 x Multichip LED
Colour Variants RGBNW (NW-4200K), RGBCW (CW-6500K), PW (3200K, 6500K), SW (2700-6500K)
Beam Angle Red/Green/Blue/White, Pure White, Smart White
27°, 35°
Lumen Output Delivered 126lm (RGBCW 27° CW-6500K, all LEDs on full)
Projected Lumen Maintenance 60,000 hrs (L70@ 25°C / 77°F)

CONTROL

Display No Display
Power Supply ArcPower range

PHYSICAL

Width x Height x Depth 55.4 x Ø45 mm (2.18 x Ø 1.77 in)
Weight 0.2 kg / 0.44 lbs
Housing Stainless Steel Top Flange, Brass Housing
Tempered Glass
Cables / Connections LiYY 8xAWG22 - 0.5m Long (1.64ft) - Chogori IP67 Connector
Mounting Method Rubber Seal, Spring Clips (optional)
Protection Factor IP68 / Suitable for Wet Locations
IK Rating IK07
Cooling System Convection
Operating Ambient Temperature -20°C / +40°C (-4°F / +104°F)
Operating Temperature +75°C @ Ambient +40°C (+167°F @ Ambient +104°F)

CERTIFICATION

Listings ETL / cETL, CE, RoHS

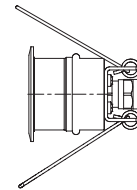
ACCESSORIES

Cable Splitter 1 to 2, RJ45 (included)
Connector Chogori 8-pin (Female) (included)
Connector Chogori 8-pin (Male)
Connector Chogori T Piece
Connector Waterproof Cap (Male)
Cable Chogori (Female) - RJ45
other lengths on request

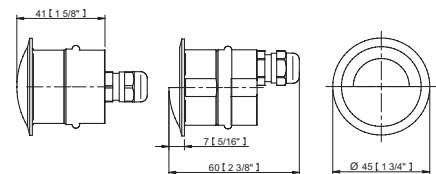


DIMENSIONS mm [in]:

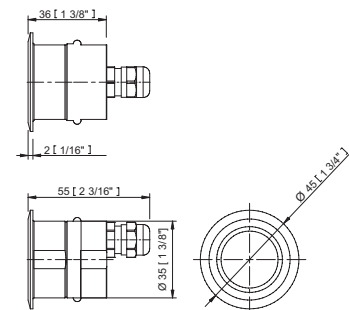
ArcSource 1 MC Spring Clip Option



ArcSource 1 MC Shield



ArcSource 1 MC



ArcSource™ Outdoor 4MC

The ArcSource™ Outdoor 4MC offers a high light output from the latest LED multichip technology, along with a full range of precision optics. With an IP rating of 67 this product is ideal for outdoor lighting applications, offering solutions to many landscape lighting scenarios. With its stirrup mounting the product has a complete range of movement, which can easily be fixed to stop once product is in the ideal position. Landscape accessories such as the ground spike ensure a wide range of installation options.



TECHNICAL SPECIFICATIONS:

ELECTRICAL

Typical Power Consumption 6W (@ 350mA), 10W (@ 700mA)
Input Current 350mA, 700mA (max. per channel)

OPTICAL

Light Source 1 x 10W Multichip LED
Colour Variants RGBA, RGBNW (NW-4200K), RGBCW (CW-6500K), PW (3200K, 6500K), SW (2700-6500K)
Red/Green/Blue/Amber, Red/Green/Blue/White, Pure White, Smart White
Beam Angle 11°, 26°, 36°
Lumen Output Delivered 364lm (RGBCW 11° CW-6500K, all LEDs on full, 700mA)
Projected Lumen Maintenance 50,000 hrs (L70@ 25°C / 77°F)

CONTROL

Display No Display
Power Supply ArcPower range

PHYSICAL

Width x Height x Depth 64 x 114 (145) x 90 mm (2.52 x 4.49 (5.71) x 3.54 in)
Weight 0.62 kg / 1.37 lbs
Housing High Pressure Die-Cast Aluminium Body
Tempered Glass
Finish Options Silver (Standard), Black/White/Custom RAL (Cost Option)
Cables / Connections LiYY 8xAWG22 - 0.5m Long (1.64ft) - Chogori IP67 Connector
Mounting Method Mounting Plate, Land Spike (optional)
Adjustability +/-60°, with Adaptor Stand +80°/-90°
Protection Factor IP67 / Suitable For Wet Locations
Cooling System Convection
Operating Ambient Temperature -20°C / +45°C (-4°F / +113°F)
Operating Temperature +75°C @ Ambient +50°C (+167°F @ Ambient +122°F)

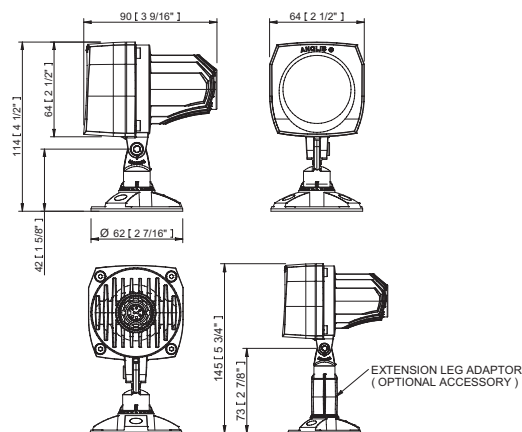
CERTIFICATION

Listings ETL / cETL, CE, RoHS

ACCESSORIES

Allen Key (Included)
Screw M5x45 (Included)
Connector Chogori 8-pin (Female) (included)
Adaptor Stand (included)

DIMENSIONS mm (in):



ACCESSORIES

Adaptor Stand (10 cm)
Land Spike Single (100mm)
Land Spike Twin (100mm)
Land Spike Single (500mm)
Land Spike Twin (500mm)
Land Spike Triple (500mm)
Top Hat
Half Top Hat
Connector Chogori 8-pin (Male)
Connector Chogori T Piece
Connector Waterproof Cap (Male)
Cable Chogori (Female) - RJ45
Cable Chogori (Female) - Chogori (Male)
other lengths on request

ArcSource™ Outdoor 16MC

ArcSource™ Outdoor 16MC is that latest addition to the hugely successful ArcSource™ Outdoor range. Perfectly complementing the existing ArcSource™ Outdoor range, the Outdoor 16MC offers the same high quality performance and finish, in a compact and versatile form factor. As expected from Anolis Outdoor luminaries, a high IP and IK rating come as standard.



TECHNICAL SPECIFICATIONS:

ELECTRICAL

Typical Power Consumption 36W
Input Current 700mA (max. per channel)

OPTICAL

Light Source 4 x High Power Multichip LEDs
Colour Variants RGBA, RGBNW (NW-4200K), RGBCW (CW-6300K), PW (6300K), SW (2700-7100K)
Beam Angle Red/Green/Blue/Amber, Red/Green/Blue/White, Pure White, Smart White
7°, 24°, 34°, 42°x10°, 10°x42° (RGBCW, PW, SW)
11°, 26°, 36° (RGBNW, RGBA)
Lumen Output Delivered 1271lm (RGBCW 7° CW-6300K, all LEDs on full, 700mA)
Projected Lumen Maintenance 60,000 hrs (L70@ 25°C / 77°F)

CONTROL

Display No Display
Power Supply ArcPower Rack Unit, ArcPower range (700mA), DRS

PHYSICAL

Width x Height x Depth 179 x 214 x 145 mm (7.0 x 8.4 x 5.7 in)
Weight 2.8 kg / 6.2 lbs
Housing High Pressure Die-Cast Aluminium Body
Tempered Glass
Finish Options Silver (Standard), Black/White/Custom RAL (cost option)
Cables / Connections LiYY 8xAWG22 - 0.5m Long (1.64ft) - Chogori IP Connector
Mounting Method Yoke, Floor Stand (optional)
Adjustability +35° / -90°
Protection Factor IP67 / Suitable For Wet Locations
IK Rating IK06
Cooling System Convection
Operating Ambient Temperature -20°C / +45°C (-4°F / +113°F)
Operating Temperature +70°C @ Ambient +45°C (+158°F @ Ambient +113°F)

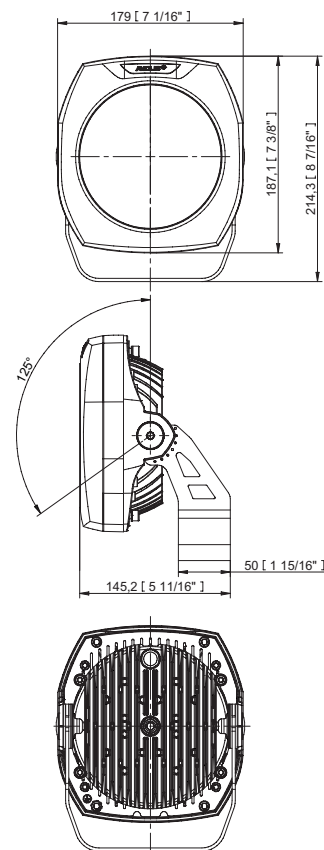
CERTIFICATION

Listings ETL / cETL, CE, RoHS

ACCESSORIES

Connector Chogori 8-pin (Female) (included)
Top Hat
Half Top Hat
Floor Stand
Land Spike
Tenon Adaptor
Pole Clamp
Connector Chogori T Piece
Cable Chogori (Female) - RJ45
Cable Chogori (Female) - Chogori (Male)
custom length on request

DIMENSIONS mm [in]:



ArcSource™ Outdoor 16MC Integral

ArcSource™ Outdoor 16MC is available either as an Integral fitting or as a remote device powered and controlled by the ArcPower™ range of intelligent LED drivers. Suitable for a variety of applications including landscape, facade and structural illumination, ArcSource™ Outdoor 16MC can be supplied in various beam angles and colour configurations.



TECHNICAL SPECIFICATIONS:

ELECTRICAL

Input Voltage 100-240V AC 50/60 Hz (CE), 120-277V AC 50/60 Hz (US)
 Typical Power Consumption 42W +/-10%

OPTICAL

Light Source 4 x High Power Multichip LEDs
 Colour Variants RGBA, RGBNW (NW-4200K), RGBCW (CW-6300K), PW (6300K), SW (2700-7100K)
 Beam Angle Red/Green/Blue/Amber, Red/Green/Blue/White, Pure White, Smart White
 7°, 24°, 34°, 42°x10°, 10°x42° (RGBCW, PW, SW)
 11°, 26°, 36° (RGBNW, RGBA)
 Lumen Output Delivered 1271lm (RGBCW 7° CW-6300K, all LEDs on full, 700mA)
 Projected Lumen Maintenance 60,000 hrs (L70@ 25°C / 77°F)

CONTROL

Display Two-row LCD display w/ control buttons
 Wireless DMX (Option) Lumen Radio CRMX Technology
 Interface Protocol USITT DMX512, RDM, 0-10V (for Single Color Variants, US only)
 Control System ArcControl range or any Third Party Controllers
 Operating Modes DMX, Standalone
 Programs / Functions / Features Editable Program: 3 (up to 40 steps each)
 Settings / Addressing Via Two-row LCD display w/ control buttons or RDM communicator
 Power Supply Integrated

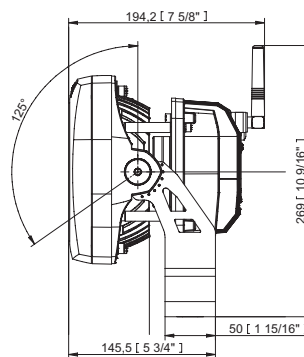
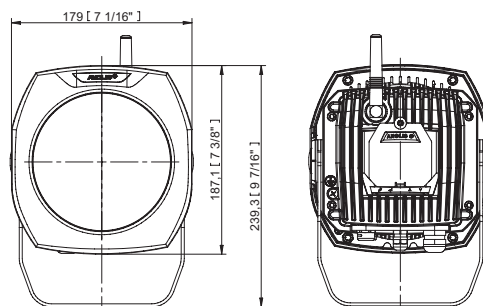
PHYSICAL

Width x Height x Depth 179 x 239 x 194 mm (7.0 x 9.4 x 7.6 inches)
 Weight 5.4 kg / 11.9 lbs
 Housing High Pressure Die-Cast Aluminium Body
 Tempered Glass
 Finish Options Silver (Standard), Black/White/Custom RAL (cost option)
 Cables / Connections LI9Y11Y 3xAWG16+1(2xAWG24), Junction Box
 Mounting Method Yoke, Floor Stand (optional)
 Adjustability +35° / -90°
 Protection Factor IP67 / Suitable For Wet Locations
 IK Rating IK06
 Cooling System Convection
 Operating Ambient Temperature -20°C / +45°C (-4°F / +113°F)
 Operating Temperature +80°C @ Ambient +45°C (+176°F @ Ambient +113°F)
 Total Heat Dissipation 140 BTU/h (calculated)

CERTIFICATION

Listings ETL / cETL, CE, RoHS

DIMENSIONS mm (in):



ACCESSORIES

Top Hat
 Half Top Hat
 Floor Stand
 Land Spike
 Tenon Adaptor
 Pole Clamp

ArcSource™ Outdoor 24MC, 48MC

Both ArcSource™ Outdoor 24MC and ArcSource™ Outdoor 48MC offer a high lumen output from the latest LED technology, along with a wide range of optics. With its IP67 rating these products are ideal for outdoor lighting applications, benefiting from totally flushmounted "Watch Glass" frontage meaning the units are less likely to suffer a debris build-up resulting in greater performance and lower maintenance. The ArcSource™ Outdoor 24MC incorporates 6 high output multichip LEDs in a compact aluminium housing. The ArcSource™ Outdoor 48MC with its 12 high output multichip LEDs offers a larger lumen output. Both products offer a solution to a wide variety of lighting scenarios.



TECHNICAL SPECIFICATIONS:

ELECTRICAL

Typical Power Consumption
Input Current

60W (24MC), 120W (48MC), +/- 10%
700mA (max. per channel)

OPTICAL

Light Source
Colour Variants

6 x 10W Multichip LEDs (24MC), 12 x 10W Multichip LEDs (48MC)
RGBA, RGBW (NW-4200K), RGBCW (CW-6500K),
PW (3200K, 6500K), SW (2700-6500K)
Red/Green/Blue/Amber, Red/Green/Blue/White, Pure White, Smart White

Beam Angle
Lumen Output Delivered

11°, 26°, 36°
24MC: 1951lm (RGBCW 11° CW-6500K, all LEDs on full, 700mA)
48MC: 3978lm (RGBCW 11° CW-6500K, all LEDs on full, 700mA)
120,000 hrs (L70@ 77°F / 25°C)

Projected Lumen Maintenance

CONTROL

Display
Power Supply

No Display
ArcPower Range

PHYSICAL

Width x Height x Depth

24MC: 216 x 261 x 150 mm (8.5 x 10.28 x 5.91 in)
48MC: 310 x 348 x 170 mm (12.21 x 13.7 x 6.69 in)

Weight

24MC: 4.3 kg / 9.48 lbs
48MC: 8.3 kg / 18.29 lbs

Housing

High Pressure Die-Cast Aluminium Body
Tempered Glass

Finish Options

Silver (Standard), Black/White/Custom RAL (cost option)

Cables / Connections

LiYY 8xAWG22 - 0.5m Long (1.64ft) - Chogori IP Connector

Mounting Method

Yoke, Floor Stand (optional)

Adjustability

+35° / -90°

Protection Factor

IP67 / Suitable For Wet Locations

IK Rating

24MC: IK09, 48MC: IK10

Cooling System

Convection

Operating Ambient Temperature

-20°C / +40°C (-4°F / +104°F)

Operating Temperature

+75°C @ Ambient +40°C (+167°F @ Ambient +104°F)

CERTIFICATION

Listings

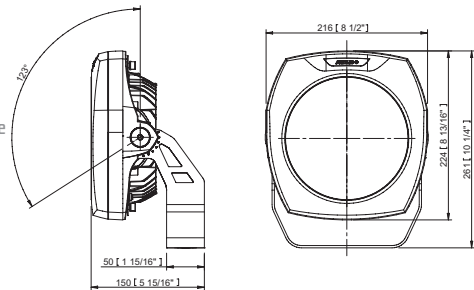
ETL / cETL, CE, RoHS

ACCESSORIES

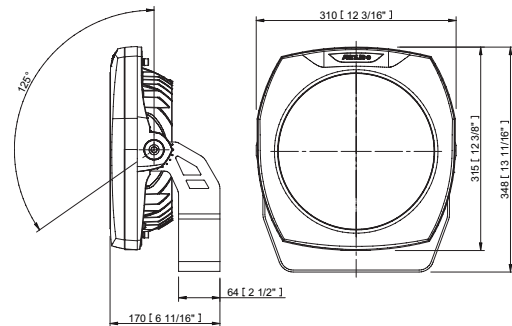
Connector Chogori 8-pin (Female) (included)
Top Hat
Half Top Hat
Floor Stand
Land Spike
Tenon Adaptor

DIMENSIONS mm (in):

ArcSource Outdoor 24MC



ArcSource Outdoor 48MC



ACCESSORIES

Pole Clamp
Cable Chogori (Female) - RJ45 (Indoor only)
Cable Chogori (Female) - Chogori (Male)
custom length on request

ArcSource™ Outdoor 24MC Integral, 48MC Integral

The Anolis ArcSource™ Outdoor 24MC and 48MC Integral range offers all the benefits of the standard product – high lumen output and range of optics, while also incorporating an integral power supply, for when remote power supplies are not an option. Both ArcSource™ Outdoor 24 Integral and 48 Integral have an IP rating of 67. There is a wireless option available minimizing the installation process and associated costs.



TECHNICAL SPECIFICATIONS:

ELECTRICAL

Input Voltage

100-240 VAC 50/60 Hz (CE),
24: 120-277VAC 50/60 Hz (US)
48: 100-277VAC 50/60 Hz (US)

Typical Power Consumption

70W (24MC), 130W (48MC) +/- 10%

OPTICAL

Light Source

6 x 10W Multichip LEDs (24MC), 12 x 10W Multichip LEDs (48MC)
RGBA, RGBW (NW-4200K), RGBCW (CW-6500K), PW (3200K, 6500K),
SW (2700-6500K)

Colour Variants

Red/Green/Blue/Amber, Red/Green/Blue/White, Pure White, Smart White
11°, 26°, 36°

Beam Angle

Lumen Output Delivered

24MC: 1951lm (RGBCW 11° CW-6500K, all LEDs on full, 700mA)

48MC: 3978lm (RGBCW 11° CW-6500K, all LEDs on full, 700mA)

Projected Lumen Maintenance

120,000 hrs (L70@ 77°F / 25°C)

CONTROL

Display

Two-row LCD display w/ control buttons

Wireless DMX (Option)

Lumen Radio CRMX Technology

Interface Protocol

USITT DMX512, RDM, 0-10V (for Single Color Variants, US only)

Control System

ArcControl range or any Third Party Controllers

Operating Modes

DMX, Standalone

Programs / Functions / Features

Editable Program: 3 (up to 40 steps each)

Settings / Addressing

Via Two-row LCD display w/ control buttons or RDM communicator

Power Supply

Integrated

PHYSICAL

Width x Height x Depth

24MC: 216 x 261 x 200 mm (8.5 x 10.28 x 7.87 in)
48MC: 310 x 348 x 230 mm (12.21 x 13.7 x 9.06 in)

Weight

24MC: 5.7 kg / 12.6 lbs

48MC: 10.8 kg / 23.8 lbs

Housing

High Pressure Die-Cast Aluminium Body
Tempered Glass

Finish Options

Silver (Standard), Black/White/Custom RAL (cost option)

Cables / Connections

Li9Y11Y 3xAWG16+1(2xAWG24), Junction Box

Mounting Method

Yoke, Floor Stand (optional)

Adjustability

+35° / -90°

Protection Factor

IP67 / Suitable For Wet Locations

IK Rating

24MC: IK09, 48MC: IK10

Cooling System

Convection

Operating Ambient Temperature

-20°C / +40°C (-4°F / +104°F)

Operating Temperature

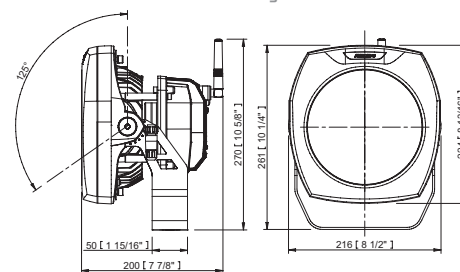
+80°C @ Ambient +40°C (+176°F @ Ambient +104°F)

Total Heat Dissipation

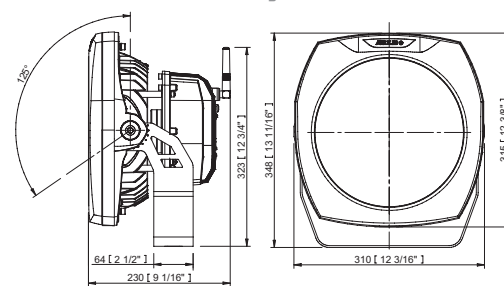
24MC: 240 BTU/h (calculated), 48MC: 443 BTU/h (calculated)

DIMENSIONS mm (in):

ArcSource Outdoor 24MC Integral



ArcSource Outdoor 48MC Integral



CERTIFICATION

Listings

ETL / cETL, CE, RoHS

ACCESSORIES

Top Hat
 Half Top Hat
 Floor Stand
 Land Spike
 Tenon Adaptor
 Pole Clamp

ArcSource™ 24MC Submersible

Following the success of the Anolis ArcSource™ Outdoor 24MC, the ArcSource™ 24MC Submersible has a housing crafted from the highest quality Marine Grade Bronze meaning it is able to withstand the very harshest environmental conditions. With an IP rating of 68 at 10 meters ArcSource™ 24MC Submersible can be specified with confidence for a wide variety of underwater applications.



TECHNICAL SPECIFICATIONS:

ELECTRICAL

Input Voltage 24V DC
 Typical Power Consumption 35W (@ 350mA), 75W (@ 700mA)
 Input Current 700mA (max. per channel)

OPTICAL

Light Source 6 x 10W Multichip LEDs
 Colour Variants RGBCW (CW-6300K), PW (6300K), SW (2700-7100K)
 Red/Green/Blue/White, Pure White, Smart White
 Beam Angle 7°, 24°, 34°
 Lumen Output Delivered 1433lm (RGBCW 7° CW-6300K, all LEDs on full, 700mA)
 938lm (RGBCW 7° CW-6300K, all LEDs on full, 350mA)
 Projected Lumen Maintenance 60,000 hrs (L70@ 77°F / 25°C)

CONTROL

Display No Display
 Power Supply ArcPower 24MC (24V)

PHYSICAL

Width x Height x Depth 216 x 261 x 171 mm (8.5 x 10.28 x 6.73 in)
 Weight 10.5 kg / 23.1 lbs
 Housing Marine Bronze
 Tempered Glass
 Cables / Connections Paige P7342-SP cable - custom length
 Mounting Method Yoke, Floor Stand (optional)
 Adjustability +35° / -90°
 Protection Factor IP68 - 10m
 IK Rating IK10
 Cooling System Convection
 Operating Ambient Temperature -20°C / +40°C (-4°F / +104°F)
 Operating Temperature +70°C @ Ambient +40°C (+158°F @ Ambient +104°F)

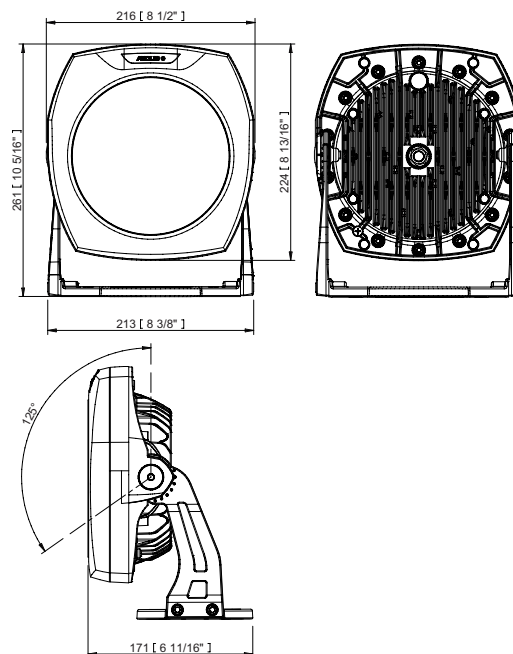
CERTIFICATION

Listings ETL / cETL, CE, RoHS

ACCESSORIES

Floor Stand
 Installation Sleeve

DIMENSIONS mm (in):



ArcSource™ Inground 24MC Integral

The brand new ArcSource™ Inground 24MC Integral is packed with exciting new features to simplify inground installations. High light output is achieved via 6 x 10 Watt High Power multichip LEDs. A variety of optics is available from narrow to wide as well as an asymmetrical option. The light source can be remotely tilted +/- 15° from the horizontal position, insuring accurate illumination of the selected surface, with both power supply and control built-in, retro-fitting to existing installations becomes possible. With use of the wireless control option only mains power is required at the fitting location.



TECHNICAL SPECIFICATIONS:

ELECTRICAL

Input Voltage 100-277V AC 50/60 Hz
Typical Power Consumption 65W @ 230V, +/- 10%

OPTICAL

Light Source 6 x 10W Multichip LEDs
Colour Variants RGBCW (CW-6300K), PW (6300K), SW (2700-7100K)
Red/Green/Blue/White, Pure White, Smart White
Beam Angle 7°, 24°, 34°, 7°x 42°, 42°x 7°
Lumen Output Delivered 1540lm (RGBCW 7° CW-6300K, all LEDs on full)
Projected Lumen Maintenance 60,000 hrs (L70@ 25°C / 77°F)

CONTROL

Display No Display
Wireless DMX (Option) Lumen Radio CRMX Technology
Interface Protocol USITT DMX 512, RDM
Control System ArcControl range or any Third Party Controllers
Operating Modes DMX, Master/Slave, Standalone
Programs / Functions / Features Editable Program: 3 (up to 40 steps each)
Settings / Addressing Via RDM communicator or Robe Universal Interface (RUNIT)
Power Supply Integrated

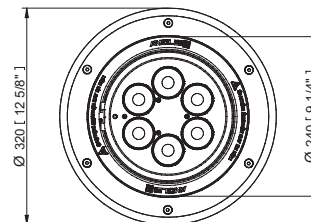
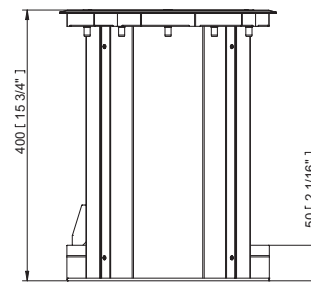
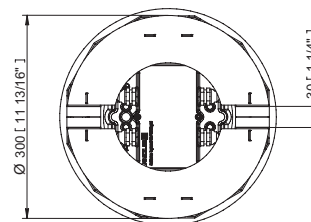
PHYSICAL

Width x Height x Depth ø320 x 400 mm (ø12.6 x 15.75 in)
Weight 18.2 kg / 40.1 lbs
(9 kg / 19.8 lbs ArcSource Inground, 9.2 kg / 20.3 lbs Sleeve)
Housing High Pressure Die-Cast Aluminium Body - Stainless Steel Flange
Tempered Glass
Cables / Connections Integral Junction Box
Mounting Method External Sleeve
Adjustability Motorized Tilt +/-15°
Protection Factor IP68 (1m/3.28ft) / Suitable For Wet Locations
IK Rating IK10
Static Load Resistance 35kN
Cooling System Convection
Operating Ambient Temperature -20°C / +40°C (-4°F / +104°F)
Operating Temperature +55°C @ Ambient +40°C (+131°F @ Ambient +104°F)

CERTIFICATION

Listings ETL / cETL, CE, RoHS

DIMENSIONS mm [in]:





Blue Martini - Orlando, USA

Ambiane ArcSource

Ambiane™ RGBW ▶ **Pg. 28**



Ambiane™ TD, TW, PW ▶ **Pg. 29**



ArcSource™ 140 COB Recessed ▶ **Pg. 30**



ArcSource™ 4MC ▶ **Pg. 31**



Ambiane™ RGBW

The first in a range of high performance specialist luminaires, the Anolis Ambiane™ downlight is suitable for ambient lighting applications, wall washing and accent lighting. Available in RGBW and tunable white CCT versions with a variety of beam angles, the Ambiane™ has no UV or IR output and is cool running, therefore appropriate for the widest range of applications. With both DMX and DALI control options, combined with a super-efficient LED source and high quality reflectors for optimum light output, the Ambiane™ can produce truly dramatic results! This versatile product is ideal for theatres, concert halls, auditoriums, ballrooms, hotel and commercial building foyers, lounges, restaurants, retail environments, offices, meeting rooms, multiplex and home cinemas.



TECHNICAL SPECIFICATIONS:

ELECTRICAL

Input Voltage 24V DC
Typical Power Consumption 40W +/- 10%

OPTICAL

Light Source 24 x High Power Single Chip LEDs
Colour Variants RGBW (W=6500K)
Red/Green/Blue/CoolWhite
Beam Angle (w/anti-glare ring) 67°, 80°
Lumen Output Delivered 1669 lm (RGBW at 67°, with anti-glare ring, 5000K)
1521 lm (RGBW at 80°, with anti-glare ring, 5000K)
Projected Lumen Maintenance 50,000 hrs (L70@ 25°C / 77°F)

CONTROL

Interface Protocol USITT DMX512, RDM, DALI
Control System ArcControl range or any Third Party Controllers
Address Setting DIP Switch
Power Supply ArcPower for Ambiane or Third Party Constant Voltage 24V/60W Power Supply

PHYSICAL

Width x Height x Depth 232 x 115 x 283 mm / 9.1 x 4.53 x 11.1 in
Weight 1,8 kg / 4.0 lbs
Housing High Pressure Die-Cast Aluminium, Plastic Cover
Finish Options (Front Frame) White (Standard), Black/Silver/Custom RAL (Cost Option)
Cables / Connections Terminal Block
Mounting Method Recessed, Via Two Spring Clips. Cut-out Diameter: 212mm / 8.34 in
Protection Factor IP20 (Option: IP54 with attached front diffuser glass)
IC Rating Non-IC Rated
Cooling System Convection
Operating Ambient Temperature -20°C / +40°C (-4°F / +104°F)
Operating Temperature 75°C @ Ambient +35°C (167°F @ Ambient +95°F)
Total Heat Dissipation 136 BTU/h (calculated)

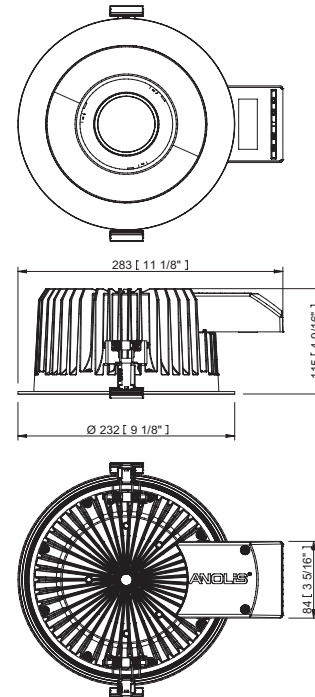
CERTIFICATION

Listings ETL / cETL, CE, RoHS

ACCESSORIES

Anti-Glare Ring (detachable)
Diffuser Glass - for IP54 version (Optional)
Adaptor Ring + Spring Clip Set (Optional)

DIMENSIONS mm [in]:



Ambiane™ TD, TW, PW

The New Ambiane™ range of white and tunable white downlights offers various performance options, creating the perfect white light environment for the widest range of applications. Adjusting the colour temperature can change the mood of any environment. Ambiane™ is available in an assortment of beam angles and controllable by DMX, DALI or 0-10V. Ambiane™ TD (Tungsten Dim) has ultra-smooth 18-bit dimming and variations in warm white light from 3200K down to 1000K are achievable giving Ambiane™ TD the true feel of a traditional incandescent dimming curve. Ambiane™ TW (Tunable White) also with 18-bit dimming, delivers impressive output with a CCT range from a warm 2700K to a clean, bright 6500K. Ambiane™ PW (Pure White) is the perfect solution when a fixed colour temperature is required. Available in a variety of colour temperatures (2700K, 3200K, 4000K, 5000K, 6500K).



TECHNICAL SPECIFICATIONS:

ELECTRICAL

Input Voltage 24V DC
Typical Power Consumption 40W +/- 10%

OPTICAL

Light Source 24x30x High Power Single Chip LEDs
Colour Variants TW (Tunable White), TD (Tungsten Dimming), PW (Pure White)
Beam Angle (w/anti-glare ring) 67°, 80°
Lumen Output Delivered
1742lm (TW 2700K, at 67°, with anti-glare ring)
2463lm (TW 6500K, at 67°, with anti-glare ring)
1589lm (TW 2700K, at 80°, with anti-glare ring)
2343lm (TW 6500K, at 80°, with anti-glare ring)
1839lm (TD 3200K, at 67°, with anti-glare ring)
1670lm (TD 3200K, at 80°, with anti-glare ring)
1817lm (PW 3200K, at 67°, with anti-glare ring)
1657lm (PW 3200K, at 80°, with anti-glare ring)
Projected Lumen Maintenance 50,000 hrs (L70@ 25°C / 77°F)

CONTROL

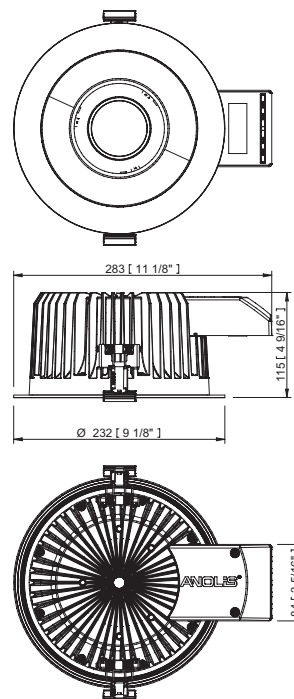
Interface Protocol DMX512, DALI, 0-10V, (TD, PW)
Control System ArcControl range or any Third Party Controller
Address Setting DIP Switch
Power Supply ArcPower for Ambiane or Third Party Constant Voltage 24V/60W Power Supply

PHYSICAL

Width x Height x Depth 232 x 115 x 283 mm / 9.1 x 4.53 x 11.1 in
Weight 1,8 kg / 4.0 lbs
Housing High Pressure Die-Cast Aluminium, Plastic Cover
Finish Options White (Standard), Black/Silver/Custom RAL (Cost Option)
Cables / Connections Terminal Block (Power In, DMX In/Out, DALI In/Out, Back-up Power)
Mounting Method Recessed, Via Two Spring Clips. Cut-out Diameter: 212mm / 8.34 in
Protection Factor IP20 (Option: IP54 with attached front diffuser glass)
IC Rating Non-IC Rated
Cooling System Convection
Operating Ambient Temperature -20°C / +40°C (-4°F / +104°F)
Operating Temperature 75°C @ Ambient +35°C (167°F @ Ambient +95°F)
Total Heat Dissipation 136 BTU/h (calculated)



DIMENSIONS mm (in):



CERTIFICATION

Listings ETL / cETL, CE, RoHS

ACCESSORIES

Anti-Glare Ring (detachable)
Diffuser Glass - for IP54 version (Optional)
Adaptor Ring + Spring Clip Set (Optional)

ArcSource™ 140 COB Recessed

When conventional LED down lighters are unable to deliver the performance often required for retail showroom, exhibition and hospitality specifications, the ArcSource™ 140 COB comes into its own. Utilising the latest chip-on-board technology, this 140 watt downlight is able to achieve light output in excess of 8000 lumens. A unique combination of collimator and reflector optics produces the highest quality light output with an extremely flat field, with various CCT variants available. ArcSource™ 140 COB offers performance levels not previously achievable in a traditional downlight form factor.



TECHNICAL SPECIFICATIONS:

ELECTRICAL

Input Voltage 48V DC
Typical Power Consumption 150W (CE) / 100W (US), +/- 5%

OPTICAL

Light Source 1x 130W COB LED
Colour Variants Pure White
PW (2700K, 3000K, 4000K, 6000K)
CRI 96 (2700K), 93 (3000K), 80 (4000K), 82 (6000K)
Beam Angle 23°, 35°
Lumen Output Delivered 6747lm (2700K @ 23°, CE-150W), 10880lm (5800K @ 23°, CE-150W)
4900lm (2700K @ 23°, US-100W), 7091lm (5800K @ 23°, US-100W)
Projected Lumen Maintenance 60,000 hrs (L70 @ 25°C / 77°F)

CONTROL

Interface Protocol USITT DMX512, RDM, DALI, 0-10V
Control System ArcControl range or any Third Party Controller
Power Supply Third Party Constant Voltage Power Supply 48V/150W (CE)/48V/100W(US), ArcPower 150-48 (CE), ArcPower 100-48 (US), DRS (Pixel Zone), ArcPower Rack Unit Pixel, ArcPixel Power

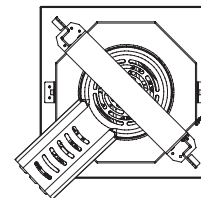
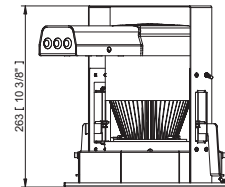
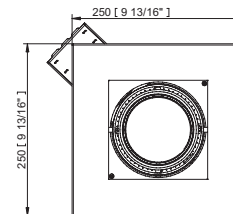
PHYSICAL

Width x Height x Depth 250 x 263 x 250 mm (9.84 x 10.35 x 9.84 inches) Incl. Trim Kit
Weight 4 kg (8.8 lb) Including Mounting Trim Kit
Finish Options LED module: Black
Mounting Trim Kit: Silver/Black/White, Custom RAL (upcharge option)
Power/DMX/DALI Connections Terminal Blocks (Screw)
Power and Data Cable Li9Y11Y, 2xAWG16+1xAWG 20 (Recommended)
Mounting Method Mounting Trim Kit (Included)
Cut-out Diameter 230mm, +2/-0mm (9.05, +0.08/-0 in)
Adjustability 10° Tilt (From Vertical Axis)
Protection Factor IP20 / Suitable For Dry Locations
IC Rating Non-IC Rated
Cooling System Fan Cooled, Protection Against Overheating
Operating Ambient Temperature -20°C / +45°C (-4°F / +113°F)
Max. Surface Temperature 60°C (140°F)

CERTIFICATION

Listings ETL / cETL, CE, RoHS

DIMENSIONS mm [in]:



ACCESSORIES

Mounting Trim Kit (included)
Anti-Glare Louvre (optional)
Diffuser 28° (optional)
Diffuser 40° (optional)
Diffuser 50° (optional)
Diffuser Holder (optional)

ArcSource™ 4MC

ArcSource™ 4MC - with spectacular performance and seamless colour mixing, ArcSource™ 4MC renders the best homogeneous colour output and most precise single-point-of-colour emission. Advanced cooling and driving technologies have been optimized to give maximum light output, and together with the longevity of the LEDs, this is a very energy efficient architectural fixture.



TECHNICAL SPECIFICATIONS:

ELECTRICAL

Typical Power Consumption 4.4W
Max. Input Current 350mA (per channel)

OPTICAL

Light Source 1 x 4W Multichip LED
Colour Variants RGBW (W=CW-6500K, NW-4200K), PW (3200K, 6500K), SW (2700-6500K)
Red/Green/Blue/White, Pure White, Smart White
Beam Angle 16°, 29° (23°, 33° With Diffuser)
Lumen Output Delivered 200lm (RGBCW at 16°)
Projected Lumen Maintenance 60,000 hrs (L70 @ 25°C / 77°F)

CONTROL

Power Supply ArcPower Range

PHYSICAL

Width x Height x Depth Inches: 3.58 x ø1.97
mm: 91 x ø50
Weight lbs: 0.55
kg: 0.25
Housing Precision Turned Aluminium
Cables / Connections 24 AWG x 4P Cat 5 - 1.5m (4.92ft) - RJ45
Mounting Method MR16 Trim with Spring Clip
Adjustability N/A
Protection Factor IP20
Cooling System Convection
Operating Ambient Temperature -20°C / +40°C (-4°F / +104°F)
Operating Temperature 58°C @ Ambient +40°C (+136°F @ Ambient +104°F)

CERTIFICATION

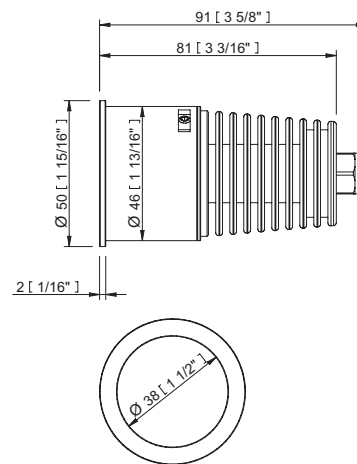
Listings ETL / cETL, CE, RoHS

ACCESSORIES

Splitter 1pcs (included)
Diffuser 1pc (included)
MR16 Trim With Spring Clip, Chrome (included)
Tilttable MR16 Trim, White



DIMENSIONS mm [in]:



ACCESSORIES:

MR16 Trim with Spring Clip, Chrome (included)





Mall of Africa - Midrand, South Africa



Mall of Africa - Midrand, South Africa

Photo credit: DWR & Peter Hassall

ArcLine Outdoor & Mini Outdoor

ArcLine™ Outdoor Optic 20MC, 40MC ▶ **Pg. 34**



ArcLine Outdoor™ Optic 20MC SW, 40MC SW ▶ **Pg. 35**



ArcLine™ Outdoor Optic 6, 12, 18, 24, 36 ▶ **Pg. 36**



ArcLine™ Double Outdoor Optic 24, 36, 48, 72 ▶ **Pg. 37**



ArcLine™ Mini Outdoor 9, 12, 18, 27, 36 ▶ **Pg. 38**



ArcLine™ Outdoor Optic 20MC, 40MC

Utilising the latest research for the design and manufacturing process, the ArcLine™ Outdoor Optic MC brings the supreme reliability and quality of the ArcLine™ range to the outdoor world. Smooth colour mixing is ensured by using a new generation of high-powered LED multichips, combined with the best homogeneous colour distribution system and precise single-point-of-colour emission. Combined with the high light output and longevity of the LEDs and user-definable colour variants, the Anolis ArcLine™ Outdoor sets the standard for all types of contemporary exterior lighting schemes.



TECHNICAL SPECIFICATIONS:

ELECTRICAL

Typical Power Consumption 22W (20MC), 44W (40MC)
Max. Input Current 350mA (per channel)

OPTICAL

Light Source 5 x (20MC), 10 x (40MC) High Power LEDs
Colour Variants RGBW (W=CW-6500K, NW-4200K)
Red / Green / Blue / White
Beam Angle 27°, 36°, 21°x36°
Lumen Output Delivered 20MC: 1114lm (RGBCW at 27°, 350mA)
40MC: 2208lm (RGBCW at 27°, 350mA)
Projected Lumen Maintenance 60,000 hrs (L70@ 25°C / 77°F)

CONTROL

Control System ArcControl range or any Third Party Controllers
Power Supply ArcPower Range

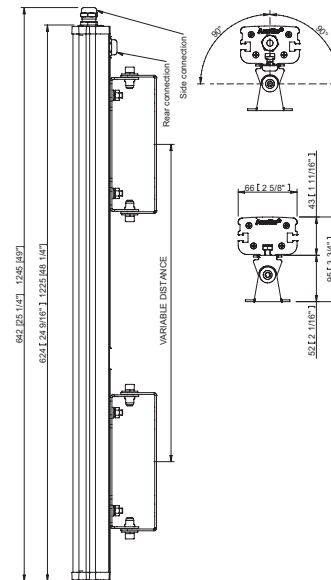
PHYSICAL

Width x Height x Depth Inches: 25.28, 49.01 x 3.74 x 2.6
mm: 642, 1245 x 95 x 66
Weight lbs: 7.06, 12.8
kg: 3.2, 5.8
Housing Extruded Aluminium
Glass cover
Finish Options Silver (STD), Black/White/custom RAL (cost option)
Cables / Connections LiYY 8xAWG22 - 0.5m Long (1.64ft) - Chogori IP67 Connector
Mounting Method Mounting Brackets
Adjustability +/-90°
Protection Factor IP65
IK Rating IK08
Cooling system Convection
Operating Ambient Temperature -20°C / +40°C (-4°F / +104°F)
Operating Temperature +50°C @ Ambient +40°C (+122°F @ Ambient +104°F)

CERTIFICATION

Listings ETL / cETL, CE, RoHS

DIMENSIONS mm [in]:



ACCESSORIES

Allen Key (Included)
Chogori Connector, 8-Pin Female IP67 (Included)
Chogori Connector, 8-Pin Male IP67
Chogori T-Connector, 8-Pin
Chogori Waterproof Cap, Male
Chogori Waterproof Cap, Female
Chogori Extension Cable, 8-Pin, (M-F)
Chogori Female to RJ45 Adaptor Cable (Various cable lengths available: 3m, 7m, 15m, 20m, and as specified)

ArcLine™ Outdoor Optic 6, 12, 18, 24, 36

With a balanced design profile and by using the highest quality materials, the ArcLine™ Outdoor Optic brings the flexibility of the ArcLine™ range to the outdoor world.

Available in either single or double configurations and using the latest high-powered LEDs the ArcLine™ Outdoor is the perfect solution for both landscape and building illumination. With an IP rating of 65 the ArcLine™ Outdoor will be suitable for the toughest exterior installations. Power and control is provided by the ArcPower™ 36, 72, 144, 360.



TECHNICAL SPECIFICATIONS:

ELECTRICAL

Typical Power Consumption 6.8W, 13.6W, 20.4W, 27.2W, 40.8W
Max. Input Current 350mA/700mA (per channel)

OPTICAL

Light Source 6, 12, 18, 24, 36, x High Power LEDs
Colour Variants RGBW (W-WW-3200K, CW-6500K), R, G, B, A, PW (3200K, 4300K, 6500K), SW (3200-6500K)
Red/Green/Blue/White, Red, Green, Blue, Amber, Pure White, Smart White
Beam Angle RGB/RGBW: 12°, 19°, 25°, 31°, 47°x11°
PW/SW: 16°, 25°, 28°, 35°, 45°x18°
Lumen Output Delivered 36: 1738lm (RGB at 13°, 350mA), 3534lm (PW 3000K at 16°, 350mA)
Projected Lumen Maintenance 50,000 hrs (L70@ 25°C / 77°F)

CONTROL

Control System ArcControl range or any Third Party Controllers
Power Supply ArcPower Range

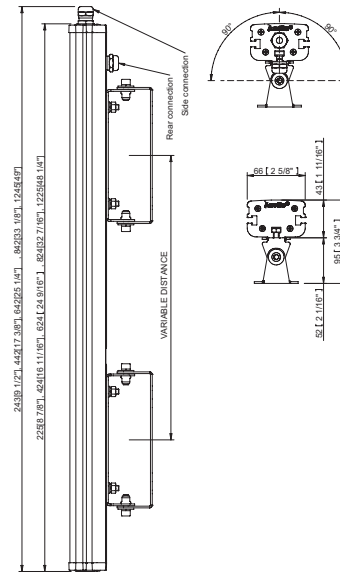
PHYSICAL

Width x Height x Depth Inches: 9.57, 17.4, 25.28, 33.15, 49.01 x 3.74 x 2.6
mm: 243, 442, 642, 842, 1245 x 95 x 66
Weight lbs: 2.43, 4.41, 7.72, 8.82, 11.91
kg: 1.1, 2, 3.5, 4, 5.4
Housing Extruded Aluminium
Glass cover
Finish Options Silver (STD), Black/White/custom RAL (cost option)
Cables / Connections LiYY 8xAWG22 - 0.5m Long (1.64ft) - Chogori IP67 Connector
Mounting Method Mounting Brackets
Adjustability +/-90°
Protection Factor IP65
IK Rating IK08
Cooling system Convection
Operating Ambient Temperature -20°C / +40°C (-4°F / +104°F)
Operating Temperature +50°C @ Ambient +40°C (+122°F @ Ambient +104°F)

CERTIFICATION

Listings ETL / cETL, CE, RoHS

DIMENSIONS mm [in]:



ACCESSORIES

Allen Key (Included)
Chogori Connector, 8-Pin Female IP67 (Included)
Chogori Connector, 8-Pin Male IP67
Chogori T-Connector, 8-Pin
Chogori Waterproof Cap, Male
Chogori Waterproof Cap, Female
Chogori Extension Cable, 8-Pin, [M-F]
Chogori Female to RJ45 Adaptor Cable (Various cable lengths available: 3m, 7m, 15m, 20m, and as specified)

ArcLine™ Double Outdoor Optic 24, 36, 48, 72

With a balanced design profile and by using the highest quality materials the ArcLine™ Outdoor Optic brings the flexibility of the ArcLine™ range to the outdoor world.

Available in either single or double configurations and using the latest high-powered LEDs the ArcLine™ Outdoor is the perfect solution for both landscape and building illumination. With an IP rating of 65 the ArcLine™ Outdoor will be suitable for the most demanding exterior installations. Power and control provided by the ArcPower™ 36, 72, 144, 360.



TECHNICAL SPECIFICATIONS:

ELECTRICAL

Typical Power Consumption 27.2W, 40.8W, 54.4W, 81.6W
Max. Input Current 350mA (per channel)

OPTICAL

Light Source 24, 36, 48, 72 High Power LEDs
Colour Variants RGBW (W-WW-3200K, CW-6500K), RGB, R, G, B, A, PW (3200K, 4300K, 6500K), SW (3200-6500K) Red/Green/Blue/White, Red, Green, Blue, Amber, Pure White, Smart White

Beam Angle RGB/RGBW: 13°, 21°, 26°, 28°, 47°x12°

PW/SW: 16°, 25°, 28°, 30°, 45°x18°
Lumen Output Delivered 72: 3476lm (RGB at 13°, 350mA), 6816lm (PW 3200K at 16°, 350mA)
Projected Lumen Maintenance 50,000 hrs (L70 @ 25°C / 77°F)

CONTROL

Control System ArcControl range or any Third Party Controllers
Power Supply ArcPower Range

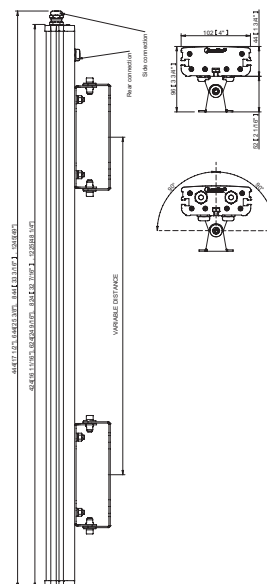
PHYSICAL

Width x Height x Depth Inches: 17.48, 25.35, 33.23, 49.01 x 3.78 x 4.02
mm: 444, 644, 844, 1245 x 96 x 102
Weight lbs: 4.9, 10.3, 12.13, 18.12
kg: 3.21, 4.6, 5.8, 8.5
Housing Extruded Aluminium
Glass cover
Finish Options Silver (STD), Black/White/custom RAL (cost option)
Cables / Connections LiYY 8xAWG22 - 1x(2x) 0.5m Long (1.64ft) - Chogori IP67 Connector
Mounting Method Mounting Brackets
Adjustability +/-60°
Protection Factor IP65
Cooling system Convection
Operating Ambient Temperature -20°C / +40°C [-4°F / +104°F]
Operating Temperature +50°C @ Ambient +40°C [+122°F @ Ambient +104°F]

CERTIFICATION

Listings CE, RoHS, ETL / cETL

DIMENSIONS mm [in]:



ACCESSORIES

Allen Key (Included)
Chogori Connector, 8-Pin Female IP67 (Included)
Chogori Connector, 8-Pin Male IP67
Chogori T-Connector, 8-Pin
Chogori Waterproof Cap, Male
Chogori Waterproof Cap, Female
Chogori Extension Cable, 8-Pin, [M-F]
Chogori Female to RJ45 Adaptor Cable
(Various cable lengths available:
3m, 7m, 15m, 20m, and as specified)

ArcLine™ Mini Outdoor 9, 12, 18, 27, 36

ArcLine™ Mini Outdoor combines the latest high output Luxeon Rebel LEDs with extremely compact custom extruded housing, with a diameter of only 27 mm allowing a high-powered linear LED solution for areas previously inaccessible for traditionally larger linear fittings.

Suitable for indoor applications as well as exterior due to a high IP rating, ArcLine™ Mini Outdoor provides a wide range of static white and various colour configurations bringing dynamic lighting schemes to life.

In/Out version for daisy chain connection.



TECHNICAL SPECIFICATIONS:

ELECTRICAL

Typical Power Consumption 10.2W, 13.1W, 20.4W, 30.6W, 41W
Max. Input Current 350mA (per channel)

OPTICAL

Light Source 9, 12, 18, 27, 36 High Power LEDs
Colour Variants RGB, R, G, B, PW (3000K, 4000K, 6500K), SW (3000-6500K)
Red/Green/Blue, Red, Green, Blue, Pure White, Smart White
Non-Optic; RGB 127°x119°, White 115°x113°
Beam Angle
Lumen Output Delivered 36: 1023lm (RGB at 13°), 1431lm (PW 3000K, non-optic)
Projected Lumen Maintenance 60,000 hrs (L70@ 25°C / 77°F)

CONTROL

Control System ArcControl range or any Third Party Controllers
Power Supply ArcPower Range

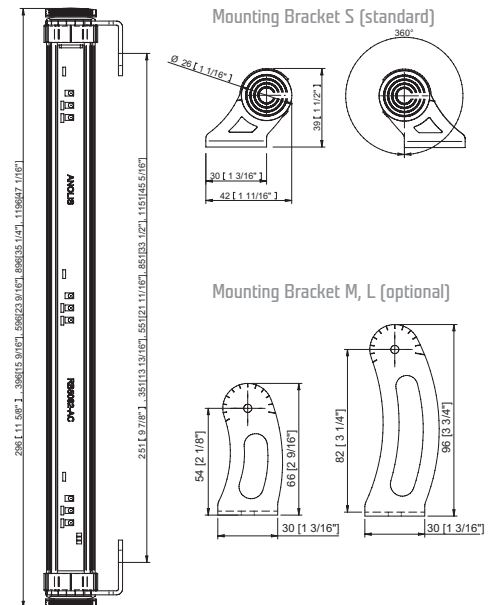
PHYSICAL

Width x Height x Depth Inches: 11.67, 15.59, 23.46, 35.28, 47.08
mm: 296, 396, 596, 896, 1196
Weight lbs: 0.42, 0.57, 0.84, 1.26, 1.70
kg: 0.19, 0.26, 0.38, 0.57, 0.77
Housing Extruded Aluminium
Silicone cover
Cables / Connections Igus CF9.03.04 - 0.5m Long - Chogori IP67 Connector
In/Out version: Igus CF9.03.04 - 2x0.5m Long (2x1.64ft) - Chogori IP67 Connectors
In/Out version For Daisy Chain Connection
Mounting Method Mounting Brackets
Adjustability 360°
Protection Factor IP67
Cooling system Convection
Operating Ambient Temperature -20°C / +40°C (-4°F / +104°F)
Operating Temperature +65°C @ Ambient +40°C (+149°F @ Ambient +104°F)

CERTIFICATION

Listings ETL / cETL, CE, RoHS

DIMENSIONS mm (in):



ACCESSORIES

Connector Chogori CGRBDU-08BFFA (Female) IP67 (Included)
Connector Chogori CGRBDU-08BMMMA (Male) IP67
Connector Waterproof Cap (Male)
Cable Chogori (Female) - RJ45 3m
Cable Chogori (Female) - RJ45 7m
Cable Chogori (Female) - RJ45 15m
Cable Chogori (Female) - RJ45 20m
other lengths on request



Millionaire Lounge Cafe - Rimini, Italy



Haven restaurant - Miami, USA

ArcLine Indoor ArcLink ArcCove

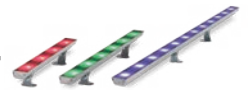
ArcLine™ 20MC, 40MC ▶ **Pg. 42**



ArcLine™ Optic 20MC, 40MC ▶ **Pg. 43**



ArcLine™ 6, 12, 18, 24, 36 ▶ **Pg. 44**



ArcLine™ Optic 6, 12, 18, 24, 36 ▶ **Pg. 45**



ArcLine™ 6 SW, 12 SW, 18 SW, 24 SW, 36 SW ▶ **Pg. 46**
ArcLine™ Optic 6 SW, 12 SW, 18 SW, 24 SW, 36 SW



ArcLink™ 3, 4 ▶ **Pg. 47**
ArcLink™ Optic 3, 4



ArcCove™ Standard, Rail Mount, Low Profile ▶ **Pg. 48**



ArcCove™ DataBox, ArcCove™ Power MW ▶ **Pg. 49**



ArcLine™ 20MC, 40MC

Spectacular combinations of smooth colour mixing are ensured by a new generation of Cree multichip LED technology that allows the best homogeneous colour distribution and precise single point of colour emission for enhanced viewing perception. Combined with high light output and long lumen maintenance together with customizable colour variant, pixel pitch and length of the line, the Anolis ArcLine™ redefines the standard for any modern lighting specifications.



TECHNICAL SPECIFICATIONS:

ELECTRICAL

Typical Power Consumption 22W (20MC), 44W (40MC)
Max. Input Current 350mA/700mA (per channel)

OPTICAL

Light Source 5 x (20MC), 10 x (40MC) High Power LEDs
Colour Variants RGBW (W=CW-6500K, NW-4200K), PW (3200K, 6500K), SW (2700-6500K)
Red/Green/Blue/White, Pure White, Smart White
Beam Angle Non-optic
Lumen Output Delivered 20MC: 1025lm (RGBCW, non optic), 40MC: 2047lm (RGBCW, non optic)
Projected Lumen Maintenance 60,000 hrs (L70@ 25°C / 77°F)

CONTROL

Control System ArcControl range or any Third Party Controllers
Power Supply ArcPower Range

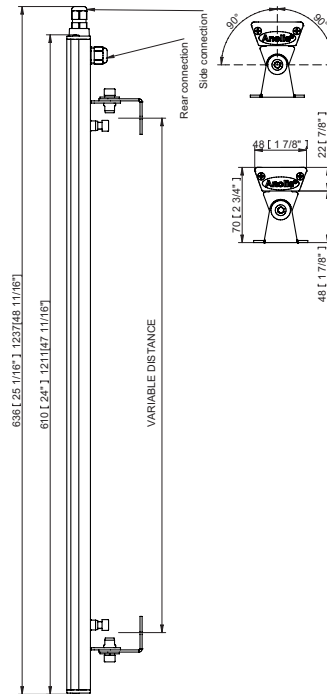
PHYSICAL

Width x Height x Depth Inches: 25.04, 48.70 x 2.76 x 1.89
mm: 636, 1237 x 70 x 48
Weight lbs: 1.99, 3.75
kg: 0.9, 1.7
Housing Extruded Aluminium
Frosted Glass cover
Finish Options Silver (STD), Black/White/custom RAL (cost option)
Cables / Connections 24 AWG x 4P Cat 5 - 1.5m (4.92ft) - RJ45
Mounting Method Mounting Brackets
Adjustability +/-90°
Protection Factor IP20
Cooling system Convection
Operating Ambient Temperature -20°C / +40°C (-4°F / +104°F)
Operating Temperature +50°C @ Ambient +25°C (+122°F @ Ambient +77°F)

CERTIFICATION

Listings ETL / cETL, CE, RoHS

DIMENSIONS mm [in]:



ACCESSORIES

Allen Key (Included)
Splitter 1pcs (See Splitter Technical Guide) (Included)
Splitter (n/a for ArcLine 40)

ArcLine™ Optic 20MC, 40MC

This precision high quality optical system combined with a variety of lens options, ranging from the narrowest to the widest angles makes ArcLine™ Optic MC suitable for a broad range of architectural applications. A combination of superior colour mixing and smooth light dispersion results in superior uniform colour output. The spectacular performance of the colour mixing system is ensured utilising the new generation of Cree multichip LEDs. This allows the best homogeneous colour distribution and most precise single-point-of-colour emission. High light output and longevity of the LEDs together with customizable colour variants sees the Anolis ArcLine™ redefining standards for any modern lighting specification.



TECHNICAL SPECIFICATIONS:

ELECTRICAL

Typical Power Consumption 22W (20MC), 44W (40MC)
Max. Input Current 350mA/700mA (per channel)

OPTICAL

Light Source 5 x (20MC) , 10 x (40MC) High Power LEDs
Colour Variants RGBW (W=CW-6500K, NW-4200K), PW (3200K, 6500K), SW (2700-6500K)
Red/Green/Blue/White, Pure White, Smart White
Beam Angle 27°, 36°, 21°x36°
Lumen Output Delivered 20MC: 1114lm (RGBCW at 27°), 40MC: 2222lm (RGBCW at 27°)
Projected Lumen Maintenance 60,000 hrs (L70@ 25°C / 77°F)

CONTROL

Control System ArcControl range or any Third Party Controllers
Power Supply ArcPower Range

PHYSICAL

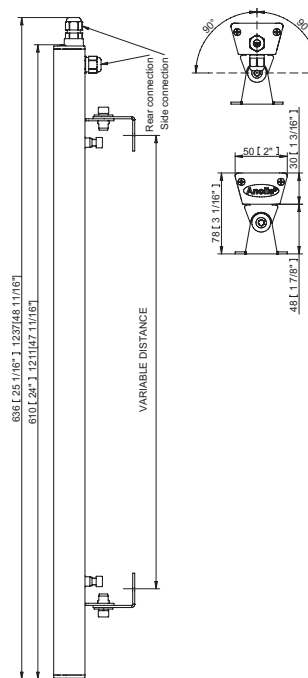
Width x Height x Depth Inches: 25.04, 48.70 x 3.07 x 1.97
mm: 636, 1237 x 78 x 50
Weight lbs: 2.43, 4.19
kg: 1.1, 1.9
Housing Extruded Aluminium
Glass cover
Finish Options Silver (STD), Black/White/custom RAL (cost option)
Cables / Connections 24 AWG x 4P Cat 5 - 1.5m (4.92ft) - RJ45
Mounting Method Mounting Brackets
Adjustability +/-90°
Protection Factor IP20
Cooling system Convection
Operating Ambient Temperature -20°C / +40°C (-4°F / +104°F)
Operating Temperature +50°C @ Ambient +25°C (+122°F @ Ambient +77°F)

CERTIFICATION

Listings CE, RoHS, ETL/cETL



DIMENSIONS mm (in):



ACCESSORIES

Allen Key (Included)
Splitter 1pcs (See Splitter Technical Guide) (Included)
Splitter (n/a for ArcLine Optic 40)

ArcLine™ 6, 12, 18, 24, 36

The Anolis ArcLine™ combines state of the art lighting technology with a balanced design profile to create truly specifier-class lighting systems. Using only the finest materials and precision manufacturing techniques the Anolis ArcLine™ provide the professional solution for your lighting requirements. The highest quality wide angle LEDs ensure that a constant effect is delivered in the widest range of application possibilities. Utilising high-powered LEDs the Anolis ArcLine™ is unsurpassed in performance, reliability and quality.



TECHNICAL SPECIFICATIONS:

ELECTRICAL

Typical Power Consumption 6.8W, 13.6W, 20.4W, 27.2W, 40.8W
Max. Input Current 350mA/700mA (per channel)

OPTICAL

Light Source 6, 12, 18, 24, 36, x High Power LEDs
Colour Variants RGBW (W-WW-3200K, CW-6500K), RGB, R, G, B, A
Red / Green / Blue / Red, Amber, Green, Blue, White
Beam Angle Non-optic
Lumen Output Delivered 36: 1595lm (RGB, non-optic), 3370lm (PW 3200K, non-optic)
Projected Lumen Maintenance 50,000 hrs (L70@ 25°C / 77°F)

CONTROL

Control System ArcControl range or any Third Party Controllers
Power Supply ArcPower Range

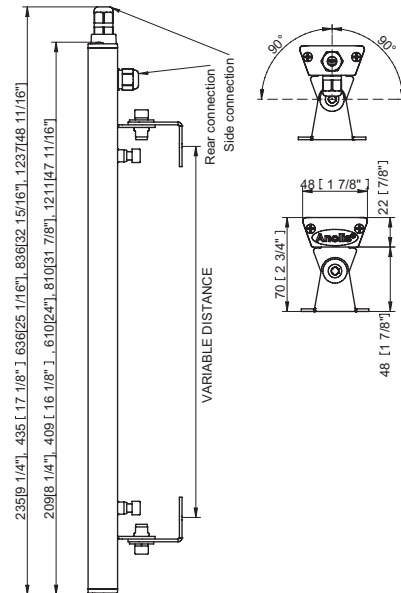
PHYSICAL

Width x Height x Depth Inches: 9.25, 17.13, 25.04, 32.91, 48.70 x 2.76 x 1.89
mm: 235, 435, 636, 836, 1237 x 70 x 48
Weight lbs: 0.66, 1.32, 1.76, 2.21, 3.31
kg: 0.3, 0.6, 0.8, 1, 1.5
Housing Extruded Aluminium
Glass cover
Finish Options Silver (STD), Black/White/custom RAL (cost option)
Cables / Connections 24 AWG x 4P Cat 5 - 1.5m (4.92ft) - RJ45
Mounting Method Mounting Brackets
Adjustability +/-90°
Protection Factor IP20
Cooling system Convection
Operating Ambient Temperature -20°C / +40°C (-4°F / +104°F)
Operating Temperature +50°C @ Ambient +25°C (+122°F @ Ambient +77°F)

CERTIFICATION

Listings ETL / cETL, CE, RoHS

DIMENSIONS mm (in):



ACCESSORIES

Allen Key (Included)
Splitter 1pcs (See Splitter Technical Guide) (Included)
Splitter (n/a for ArcLine 36)

ArcLine™ Optic 6, 12, 18, 24, 36

The Anolis ArcLine™ Optic range combines state of the art lighting technology with a balanced design profile to create truly specifier-class lighting systems. Using only the finest materials and precision manufacturing techniques the Anolis ArcLine™ provides the professional solution for your lighting requirements.

The highest quality optics ensure that a constant effect is delivered in the widest range of application possibilities. Utilising high-powered LEDs the Anolis ArcLine™ Optic range is unsurpassed in performance, reliability and quality.



TECHNICAL SPECIFICATIONS:

ELECTRICAL

Typical Power Consumption 6.8W, 13.6W, 20.4W, 27.2W, 40.8W
Max. Input Current 350mA/700mA (per channel)

OPTICAL

Light Source 6, 12, 18, 24, 36, x High Power LEDs
Colour Variants RGBW (W-WW-3200K, CW-6500K), RGB, R, G, B, A
Red / Green / Blue / Red, Amber, Green, Blue, White
Beam Angle 10°, 20°, 30°, 47°x11°
Lumen Output Delivered 36: 1624lm (RGB at 10°)
Projected Lumen Maintenance 50,000 hrs (L70@ 25°C / 77°F)

CONTROL

Control System ArcControl range or any Third Party Controllers
Power Supply ArcPower Range

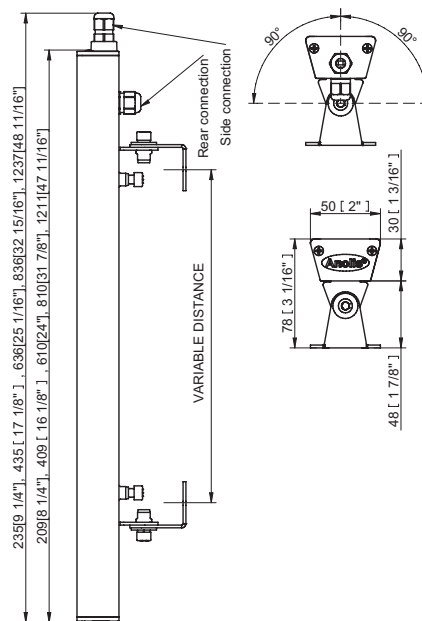
PHYSICAL

Width x Height x Depth Inches: 9.25, 17.13, 25.04, 32.91, 48.70 x 3.07 x 1.97
mm: 235, 435, 636, 836, 1237 x 78 x 50
lbs: 1.06, 1.66, 2.32, 2.9, 4.2
kg: 0.48, 0.75, 1.05, 1.3, 1.9
Housing Extruded Aluminium
Glass cover
Finish Options Silver (STD), Black/White/custom RAL (cost option)
Cables / Connections 24 AWG x 4P Cat 5 - 1.5m (4.92ft) - RJ45
Mounting Method Mounting Brackets
Adjustability +/-90°
Protection Factor IP20
Cooling System Convection
Operating Ambient Temperature -20°C / +40°C (-4°F / +104°F)
Operating Temperature +50°C @ Ambient +25°C (+122°F @ Ambient +77°F)

CERTIFICATION

Listings ETL / cETL, CE, RoHS

DIMENSIONS mm [in]:



ACCESSORIES

Allen Key (Included)
Splitter 1pcs [See Splitter Technical Guide] (Included)
Splitter (n/a for ArcLine Optic 36)

ArcLine™ 6 SW, 12 SW, 18 SW, 24 SW, 36 SW

ArcLine™ Optic 6 SW, 12 SW, 18 SW, 24 SW, 36 SW

When colour rendering is of utmost importance the ArcLine™ Optic Smart White provides the solution. By combining warm white and cool white high powered LEDs with Anolis digital control, a full range of white light from 3200K to 6500K can be achieved.

All this technology is combined with the balanced design profile of the Anolis ArcLine™ Optic along with the highest quality optics to create a truly versatile linear lighting system whenever the environment demands.



TECHNICAL SPECIFICATIONS:

ELECTRICAL

Typical Power Consumption 6.8W, 13.6W, 20.4W, 27.2W, 40.8W
Max. Input Current 350mA/700mA (per channel)

OPTICAL

Light Source 6, 12, 18, 24, 36, x High Power LEDs
Colour Variants PW (WW-3200K, NW-4300K, CW-6500K), SW (3200-6500K)
Pure White, Smart White
Beam Angle Non-optic, 15°, 25°, 31°, 37°, 44°x17°
Lumen Output Delivered Optic 36: 3408lm (WW at 15°)
Projected Lumen Maintenance 50,000 hrs (L70@ 25°C / 77°F)

CONTROL

Control System ArcControl range or any Third Party Controllers
Power Supply ArcPower Range

PHYSICAL

Width x Height x Depth Inches: 9.25, 17.13, 25.04, 32.91, 48.70 x 2.76, 3.07 x 1.89, 1.97
mm: 235, 435, 636, 836, 1237 x 70, 78 x 48, 50
Weight lbs: 1.06, 1.66, 2.32, 2.9, 4.2
kg: 0.48, 0.75, 1.05, 1.3, 1.9
Housing Extruded Aluminium
Glass cover
Finish Options Silver (STD), Black/White/custom RAL (cost option)
Cables / Connections 24 AWG x 4P Cat 5 - 1.5m (4.92ft) - RJ45
Mounting Method Mounting Brackets
Adjustability +/-90°
Protection Factor IP20
Cooling System Convection
Operating Ambient Temperature -20°C / +40°C (-4°F / +104°F)
Operating Temperature +50°C @ Ambient +25°C (+122°F @ Ambient +77°F)

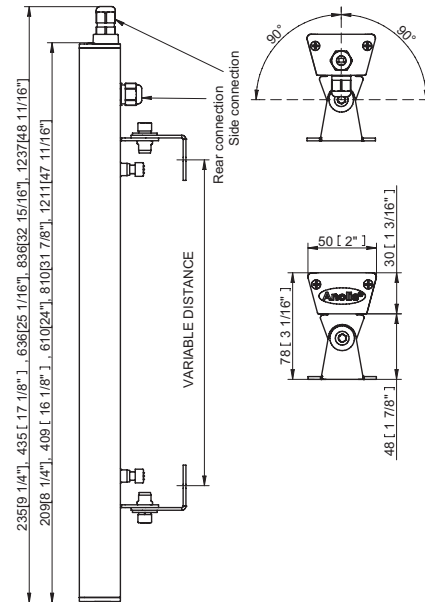
CERTIFICATION

Listings ETL / cETL, CE, RoHS



DIMENSIONS mm (in):

ArcLine Optic SW



ACCESSORIES

Allen Key (Included)
Splitter 1pcs (See Splitter Technical Guide) (Included)
Splitter (n/a for ArcLine 36/ArcLine Optic 36)

ArcLink™ 3, 4

ArcLink™ Optic 3, 4

The perfect companion to the ArcLine™ range, ArcLink™ adds a flexible dimension to linear LED lighting combining the latest high-powered LEDs with simple CAT 5 connection and complete with heat sink for thermal management. The compact ArcLink™ can be installed virtually anywhere, including curved alcove lighting and even concealed within furniture or fittings.



TECHNICAL SPECIFICATIONS:

ELECTRICAL

Typical Power Consumption 3.4W, 4.5W
Max. Input Current 350mA/700mA (per channel)

OPTICAL

Light Source 3 x, 4 x High Power LEDs
Colour Variants RGBW (W=WW-3200K, CW-6500K), R, G, B, A, PW (3200K, 4300K, 6500K), SW (3200-6500K)
Red/Green/Blue/White, Red, Green, Blue, Amber, Pure White, Smart White
Beam Angle 10°, 22°, 30°, 34°, 46°x11°, Non Optic: 142°x134°
Lumen Output Delivered Optic 4: 188lm (RGBWW at 10°)
Projected Lumen Maintenance 50,000 hrs (L70@ 25°C / 77°F)

CONTROL

Control System ArcControl range or any Third Party Controllers
Power Supply ArcPower Range

PHYSICAL

Width x Height x Depth
Inches: ArcLink 3- 5.55 x 0.79 x 1.14 / ArcLink 4- 5.55 x 0.79 x 1.14
Inches: ArcLink Optic 3- 5.55 x 0.95 x 1.14 / ArcLink Optic 4- 6.50 x 0.95 x 1.34
mm: ArcLink 3- 141 x 20 x 29 / ArcLink 4- 141 x 20 x 29
mm: ArcLink Optic 3- 141 x 24 x 29 / ArcLink Optic 4- 165 x 24 x 34

Weight

lbs: 0.11, 0.13
kg: 0.05, 0.06
Housing Aluminium
Cables / Connections ArcLink Patch Cable RJ45
Mounting Method Mounting Holes
Protection Factor IP20
Cooling System Convection
Operating Ambient Temperature -20°C / +40°C (-4°F / +104°F)
Operating Temperature +50°C @ Ambient +25°C (+122°F @ Ambient +77°F)

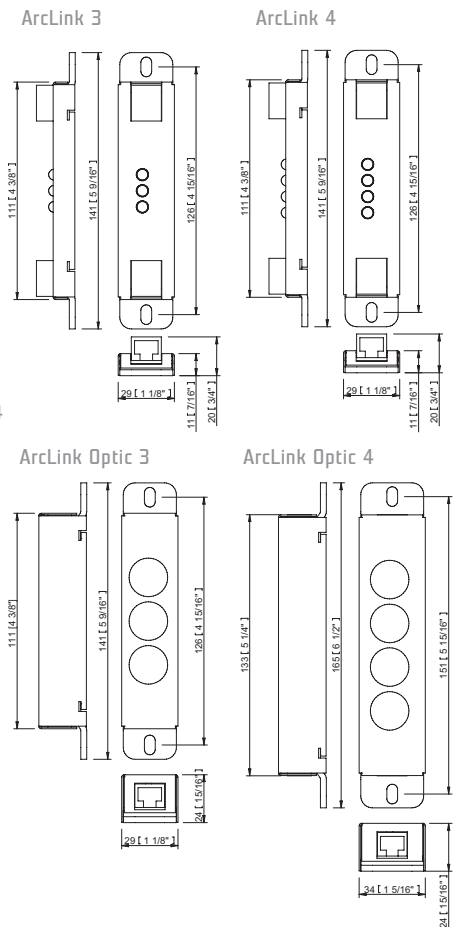
CERTIFICATION

Listings ETL / cETL, CE, RoHS

ACCESSORIES

ArcLink Patch Cable 10cm, x 5 (Included)
RJ45 Termination Plug x 1 (Included)

DIMENSIONS mm [in]:



ArcCove™ Standard, Rail Mount, Low Profile

Anolis ArcCove™ cleverly combines both high light output intensity with energy efficient LED technology to achieve a lighting product that offers a genuine alternative to traditional linear incandescent or fluorescent cove lighting systems.

ArcCove™ has a streamlined profile and various mounting options meaning greater flexibility for a wider variety of applications. The latest LED chip technology combined with a plug and play set up process insures that incredible effects are simple to create.



TECHNICAL SPECIFICATIONS:

ELECTRICAL

Input Voltage 24V DC
Typical Power Consumption 5W (Standard Power Mode), 10.8W (High Power Mode)

OPTICAL

Light Source 10 x 1W MC LEDs
Colour Variants RGB, PW (2700K, 6500K), SW (2700-6500K)
Red / Green / Blue, Pure White, Smart White
Beam Angle Non-optic
Lumen Output Delivered 171lm (RGB, non-optic, High Power Mode),
95lm (RGB, non-optic, Standard Power Mode)
Projected Lumen Maintenance 50,000 hrs (L50 @ 50°C / 122°F)

CONTROL

Control System ArcCove DataBox (Optional Wireless Control)
Power Supply ArcCove Power MW (Optional Accessories)

PHYSICAL

Width x Height x Depth Inches: 11.81 x 1.38 x 2.14, 1.77, 1.38
mm: 300 x 35 x 54.3, 45, 35
Weight lbs: 0.33
kg: 0.15
Housing Moulded Plastic and Transparent Cover
Cables / Connections 5 Wire Flat Ribbon Cable: UL2468 AWG 18/5C - In and Out Connectors
Mounting Method Standard Adjustable Tilt / Rail Mount / Low Profile
Adjustability +/-90° (Standard version only)
Protection Factor IP20
Cooling System Convection
Operating Ambient Temperature -20°C / +40°C (-4°F / +104°F)
Operating Temperature +65°C @ Ambient +40°C (+149°F @ Ambient +104°F)

CERTIFICATION

Listings ETL / cETL, CE, RoHS

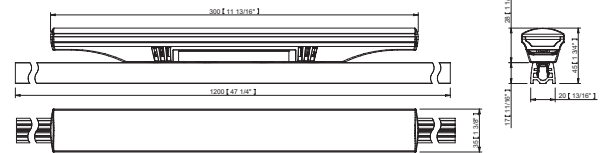
ACCESSORIES

Allen Key (Included)
Cable Patch ArcCove 10cm (Included)

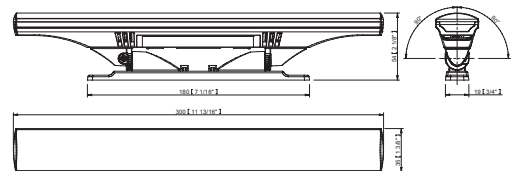


DIMENSIONS mm (in):

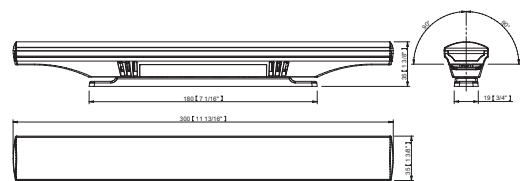
ArcCove Rail Mount



ArcCove Standard, Adjustable Tilt



ArcCove Straight, Low Profile



ArcCove™ DataBox, ArcCove Power MW

To provide power and control to the ArcCove™, the ArcCove™ DataBox and ArcCove™ Power MW are combined. Together they have very low power consumption yet are capable of powering up to 17 ArcCove™ fixtures with control over 34 individual segments (2 zones per fitting), allowing creative dynamic white and colour change effects to be produced.



TECHNICAL SPECIFICATIONS:

ELECTRICAL

Input Voltage	100-277V AC 50/60 Hz
Typical Power Consumption	96W
OutPut Voltage	24V DC
Rated Current	4A
Power Factor	>95
Protection	Short Circuit, Overload, Over Voltage, Over Temperature

PHYSICAL

Width x Height x Depth	Inches: 7.9 x 2.8 x 1.4 mm: 200 x 70.5 x 35
Weight	lbs: 1.15 kg: 0.52
Number of Led Output Zones	1
Maximum Load Per Zone	17x ArcCove (Standard Mode), 8x ArcCove (High Power Mode)
Max Cable Length	100m Depending on number of ArcCoves 20m From ArcCove Power to first ArcCove 20m between ArcCoves
Input connection	3-wire cable 18AWG 3C, Length 310mm
LED Output Connection	2-wire cable 18AWG 2C, Length 310mm
Mounting Method	2 Mounting Holes
Protection Factor	IP20
Cooling System	Convection
Operating Ambient Temperature	-30°C / +50°C (-22°F / +122°F)

CONTROL

Control	4-Digit LED display, 4 buttons
Connection	DMX and Power Connection Block
Wireless DMX (Option)	Lumen Radio CRMX Technology

PHYSICAL

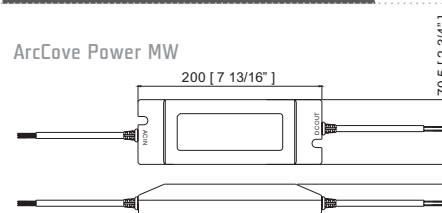
Width x Height x Depth	142 x 55 x 34.5mm [5.59 x 2.17 x 1.36 in]
Weight	0.15 kg / 0.33 lbs
Protection Factor	IP20

CERTIFICATION

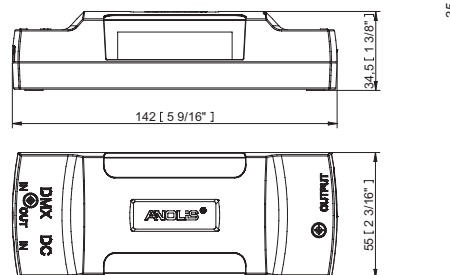
Listings	ETL / cETL, CE, RoHS
----------	----------------------

DIMENSIONS mm [in]:

ArcCove Power MW



ArcCove DataBox



ACCESSORIES

- Cable connecting ArcCove 1m
- Cable connecting ArcCove 2m
- Cable connecting ArcCove 5m
- Cable connecting ArcCove 10m
- Cable Patch ArcCove 10cm
- Cable Patch ArcCove 15cm
- Cable Patch ArcCove 9.5cm, 90°
- Cable Patch ArcCove 12cm, 90°
- Cable Patch ArcCove 15cm, 90°
- Cable Patch ArcCove 30cm, 90°
- Mounting Rail ArcCove 1.2m
- Mounting Rail ArcCove 2.4m



Cleveland House - London, The United Kingdom

Media Solutions

ArcPix™ ▶ Pg. 52



ArcSource™ Outdoor 16MC Pixel ▶ Pg. 56



ArcDot™ ▶ Pg. 53



ArcPixel™ Power ▶ Pg. 57



ArcDot™ Flash ▶ Pg. 54



MiniMe DV™ ▶ Pg. 58



ArcSource™ Outdoor 4MC Pixel ▶ Pg. 55



MiniMe™ ▶ Pg. 59



ArcPix™

Utilising a high efficient Mid power LED chip ArcPix™ is a compact RGB LED node suitable for both interior and exterior applications, plug and play electronics allow for complex pixel mapping and media effects to be achieved on structural surfaces and building facades. Up to 400 units can be combined with a single ArcPixel™ Power unit providing the flexibility to create dramatic visual effects.



TECHNICAL SPECIFICATIONS:

ELECTRICAL

Input Voltage 48V DC
Typical Power Consumption 0.8W

OPTICAL

Light Source 1 x MC Mid Power LED
Colour Variants RGB
Red, Green, Blue
Beam Angle Non-optic
Lumen Output Delivered 24lm (RGB, non-optic)
Projected Lumen Maintenance 50,000 hrs (L50@ 50°C / 122°F)

CONTROL

Control System Media Server
Power Supply ArcPixel Power

PHYSICAL

Width x Height Inches: Ø2.21 x 0.95 (0.83 w/out mounting plate)
mm: Ø56 x 24 (21 w/out mounting plate)
Weight lbs: 0.44
kg: 0.2
Housing Moulded Plastic
Polycarbonate Cover
Cables / Connections 5 Wire Flat Cable AWM 295720AWG - Factory Fitted Connector
Mounting Method Mounting Plate or Direct fixing
Protection Factor IP67
Impact Rating IK09
Cooling System Convection
Operating Ambient Temperature -20°C / +50°C (-4°F / +122°F)
Operating Temperature +50°C @ Ambient +40°C (+122°F @ Ambient +104°F)

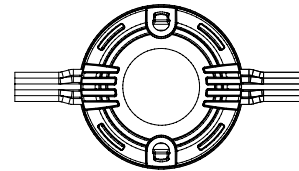
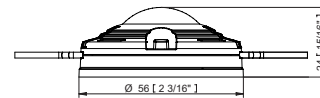
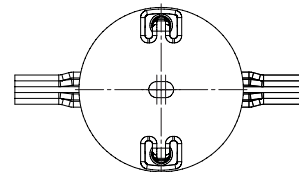
CERTIFICATION

Listings ETL / cETL, CE, RoHS

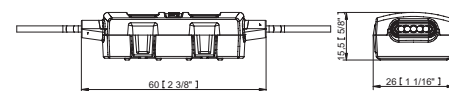
ACCESSORIES

Connection Cable (In meters)
Connection Box
Termination Box (1 Per Run)

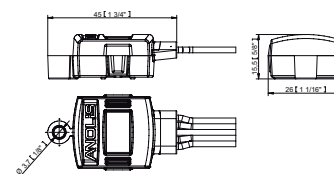
DIMENSIONS mm [in]:



Connection Box



Termination Box



ArcDot™

The Anolis ArcDot™ is RGBW multichip-based high-powered multicoloured LED fixture. The unit's high light output can be pixel mapped and therefore control large scale matrix applications, as well as individual illuminating needs. It features an integrated intelligent electronic control system that guarantees flicker-free driving, thermal protection. Together with remote addressing, calibration and status messaging with the power supply unit, it ensures easy remote maintenance and long-term reliability. IP67 rated precision turned aluminium housing with frosted UV stable polycarbonate dome allows flexible solutions to both interior and exterior environments.



TECHNICAL SPECIFICATIONS:

ELECTRICAL

Input Voltage 48V DC
Typical Power Consumption 5.5W

OPTICAL

Light Source 1x 10W MC LED
RGBW (W-CW-6500K), PW (3200K, 6500K), SW (2700-6500K)
Colour Variants RGBW, Pure White, Smart White
Beam Angle Non-optic
Lumen Output Delivered 74lm (RGBCW, non-optic, Opal Polycarbonate Dome)
Projected Lumen Maintenance 50,000 hrs (L70@ 25°C / 77°F)

CONTROL

Control System Media Server
Power Supply ArcPixel Power

PHYSICAL

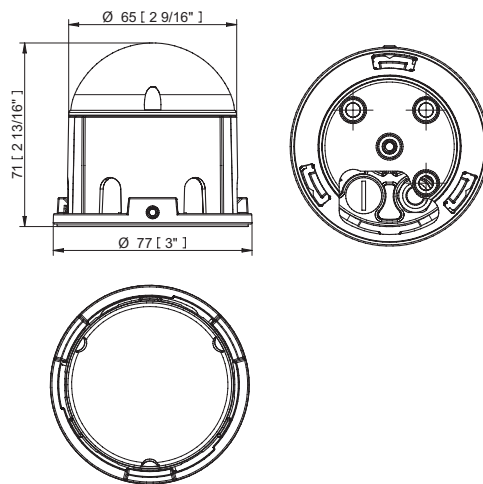
Width x Height Inches: Ø3.03 x 2.80
mm: Ø77 x 71
Weight lbs: 0.44
kg: 0.2
Housing Cast Aluminium
Polycarbonate Dome
Finish Options Silver (STD), Black/White/custom RAL (cost option)
Cables / Connections Li9Y11Y 2xAWG16+1xAWG20 - Chogori IP67 Connector
Mounting Method Mounting Back Plate
Adjustability N/A
Protection Factor IP67
IK Rating IK07
Cooling System Convection
Operating Ambient Temperature -20°C / +50°C (-4°F / +122°F)
Operating Temperature +45°C @ Ambient +40°C (+113°F @ Ambient +104°F)

CERTIFICATION

Listings CE, RoHS, ETL / cETL



ArcDot CONNECTION:



ACCESSORIES

Cable Connection ArcDot 2.5m
Cable Connection ArcDot 20m
Cable Connection ArcDot 25m
Cable Connection ArcDot 2m
Cable Connection ArcDot 30cm
Cable Connection ArcDot 4m
Cable Connection ArcDot 88m
other lengths on request
Terminator Active for ArcDot
Terminator Passive for ArcDot
Connector CGRBB-03RMMMA-SC8001 (connector Male)
Connector CGRBB-03BFFA-SL8001 (connector Female)
Connector T- CGRBA-030303FFM-TS (T-connector)

ArcDot™ Flash

Dramatic true strobe flash style effects can be created with the extremely bright ArcDot™ Flash. With a flash output equivalent to a 10 Joule Xenon Flash, this product has to be seen to be believed. Housed in the same compact footprint as the ArcDot™ RGBW, the ArcDot™ Flash utilises the latest LED chip technology meaning much greater efficiency, reliability and lamp life than traditional strobe flash solutions. If a more serene effect is required the ArcDot™ Flash also offer a continuous on operation as well as a full range dimming via DMX. Building highlighting and dramatic media effects can be realised when combined with Anolis ArcPixel™ Power.



TECHNICAL SPECIFICATIONS:

ELECTRICAL

Input Voltage	48V DC
Current Consumption:	114 mA (average), 2A/100mSec. (max.)
Average Power Consumption	5.5 W
Temperature Protection:	Internal Chip Protection Against Overheating

OPTICAL

Light Source	8 x White LED Multichip
Flash Energy	Equivalent Of 10 Joule Xenon Flash
Beam Angle	Non-Optic
Projected Lumen Maintenance	70% @ 50,000 hours

CONTROL

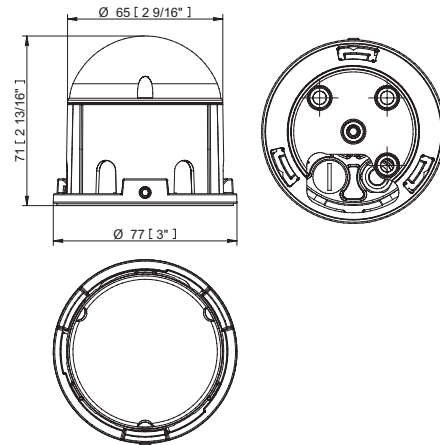
Control System	ArcPixel Power
Power Supply	ArcPixel Power
Flash	Random Flash (Factory Setting)
Number Of Flashes Per Minute	22-28
Flash Length	100W, 25ms
Synchronous Flash (all 100 units)	25W, 25ms
Continuous Lit (no flashing)	5W, Continuous
Individual Addressing Of Each ArcDot Flash	Yes (Optional)

PHYSICAL

Width x Height x Depth	inches: Ø3.03 x 2.80 mm: Ø77 x 71 lbs: 0.44 kg: 0.2
Weight	
Housing	Cast Aluminium, Polycarbonate Dome
Finish Options	Silver, Black/White/Custom RAL (cost option)
Cables / Connections	Li9Y11Y 2xAWG16+1xAWG20 - Chogori IP67 Connectors
Mounting Method	Mounting Back Plate
Protection Factor	IP67
IK Rating	IK07
Cooling System	Convection
Operating Ambient Temperature	-20°C/+50°C
Operating Temperature	+40°C @ Ambient +25°C (+104°F @ Ambient +77°F)



DIMENSIONS mm [in]:



CERTIFICATION

Listings ETL / cETL, CE, RoHS

ACCESSORIES

Terminator Active for ArcDot
Terminator Passive for ArcDot
1m Connection Cable Chogori Male/Female 3-pin
5m Connection Cable Chogori Male/Female 3-pin
10m Connection Cable Chogori Male/Female 3-pin
3-pin Connector CGRBB-03BMMMA-SL8001 (Male)
3-pin Connector CGRBB-03BFFA-SL8001 (Female)
3-pin T-Connector CRGBA 3-pin
3-wire ArcDot cable

ArcSource™ Outdoor 4MC Pixel

The ArcSource™ Outdoor 4MC Pixel features all the benefits of the highly popular ArcSource™ Outdoor 4MC, high light output, the latest multichip technology, precision optics, high IP Rating and versatile mounting. The stirrup, now combined with Anolis' excellent pixel control electronics, makes this product even more versatile.

Individual colour/dimming control of each ArcSource™ Outdoor 4MC Pixel is now possible when connected to the ArcPixel™ Power. Dynamic media style effects can be created and added to your landscape or facade installations.



TECHNICAL SPECIFICATIONS:

ELECTRICAL

Input Voltage 48V
Typical Power Consumption 5.5W/48V

OPTICAL

Light Source 1x 15W RGBW MultiChip LED
RGBCW (CW-6300K), PW (6300K), SW (2700-7100K)
Colour Variant Red/Green/Blue/White, Pure White, Smart White
Beam Angle 7°, 24°, 34°, 42°x7°, 7°x42°
Projected Lumen Maintenance 50,000 hrs (L70@ 25°C / 77°F)

CONTROL

Control System ArcPixel Power
Power Supply ArcPixel Power

PHYSICAL

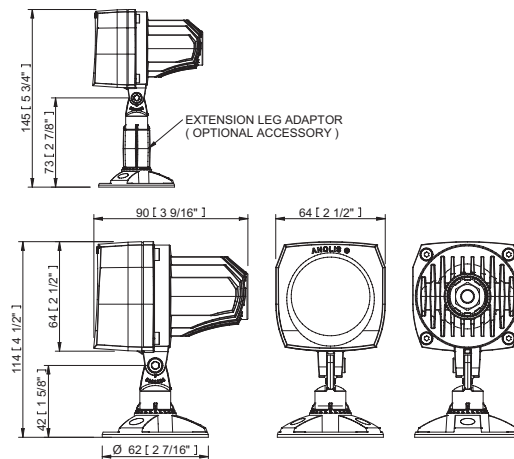
Dimensions (W x H x D) Inches: 2.52 x 4.49 [5.71] x 3.54
mm: 64 x 114 [145] x 90
Weight lbs: 1.37
kg: 0.62
Housing High Pressure Die-Cast Aluminium Body
Tempered Glass
Finish Options Silver, Black/White/Custom RAL (cost option)
Cables / Connections Li9Y11Y, 2xAWG16+1xAWG 20
Mounting Method Mounting Plate (3 Fixing Holes), Spike Option
Adjustability +/-60° (+80° / -90° with Adaptor Plate)
Protection Factor IP 65
Cooling System Convection
Operating Ambient Temperature -20°C / +45°C [-4°F / +113°F]
Operating Temperature +75°C @ Ambient +50°C [+167°F @ Ambient +122°F]

CERTIFICATION

Listings ETL / cETL, CE, RoHS



DIMENSIONS mm [in]:



ACCESSORIES

Adaptor Stand (included)
Allen Key (Included)
Screw M5x45 (Included)
Land Spike Single (100mm)
Land Spike Twin (100mm)
Land Spike Single (500mm)
Land Spike Twin (500mm)
Land Spike Triple (500mm)
Connector Chogori CGRBDU-03BFFA (Female) IP67
Connector Chogori T Piece 3-pin
Connector Waterproof Cap (Male)
Cable Chogori (Female) - Chogori (Male) 3m
other lengths on request
Active Terminator (for ArcDot)
Passive Terminator (for ArcDot)
Ferrite GTFC 16-8-16 (for ArcDot) - CE only

ArcSource™ Outdoor 16MC Pixel

Combining all the features of the ArcSource™ Outdoor 16MC with the excellent Anolis pixel driving system, ArcSource™ Outdoor 16MC Pixel brings a whole new range of applications. Suitable for a variety of installations including landscape, facade and structural illumination, the ArcSource™ Outdoor 16MC Pixel can be supplied in various beam angle and colour configurations.



TECHNICAL SPECIFICATIONS:

ELECTRICAL

Input Voltage 48V (CE), 28V (US)
Typical Power Consumption 38W

OPTICAL

Light Source 4 x High Power Multichip LEDs
Colour Variants Red/Green/Blue/White, Pure White, Smart White
RGBCW (CW-6300K), PW (6300K), SW (2700-7100K)
Beam Angle 7°, 24°, 34°, 42°x7°, 7°x42°
Lumen Output Delivered 1271 lm (RGBW at 7°, 700mA)
Projected Lumen Maintenance 60,000 hrs (L70@ 25°C / 77°F)

CONTROL

Control System ArcPixel Power, DRS (Pixel)
Power Supply ArcPixel Power, DRS (Pixel)

PHYSICAL

Width x Height x Depth 179 x 214 x 145 mm [7.0 x 8.4 x 5.7 inches]
Weight 4.5 kg [9.9 lbs]
Housing High Pressure Die-Cast Aluminium Body
Tempered Glass
Finish Options Silver (STD), Black/White/Custom RAL (cost option)
Cables / Connections Li9Y11Y, 2xAWG16+1xAWG 20 -0.5m Long (1.64ft), Chogori IP Connector
Mounting Method Yoke, Floor Stand (Optional)
Adjustability +35° / -90°
Protection Factor IP67 / Suitable For Wet Locations
IK Rating IK06
Cooling System Convection
Operating Ambient Temperature -20°C / +45°C [-4°F / +113°F]
Operating Temperature Max. +70°C @ Ambient +45°C [+158°F @ Ambient +113°F]

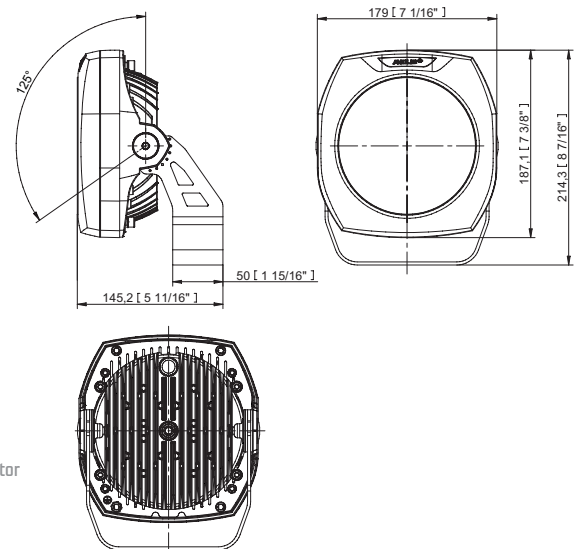
CERTIFICATION

Listings ETL / cETL, CE, RoHS pending

ACCESSORIES

Top Hat (optional)
Half Top Hat (optional)
Floor Stand (optional)
Tenon Adaptor (optional)
Pole Clamp -single, double (optional)
Land Spike (optional)

DIMENSIONS mm [in]:



ACCESSORIES

Active Terminator (for ArcDot) (optional)
Passive Terminator (for ArcDot) (optional)
Connector Chogori T Piece 3-pin (optional)
Connector Waterproof Cap (Male) (optional)
Cable Chogori (Female) - Chogori (Male) 3m (optional)
other lengths on request

ArcPixel™ Power

ArcPixel™ Power is the highly versatile power supply required for the range of pixel controlled products like ArcDot™, ArcPix™ and ArcSource™ Outdoor 4MC Pixel. Multiple outputs allow a high quantity of products to be connected, while auto addressing makes installation and set up easy to facilitate. Compatible with both DMX and ArtNet protocols, integration with the media servers allows complex media programming to be achieved, giving dynamic pixel control. The ArcPixel™ Power includes built-in web interface allowing quick overview of its settings and connected dots and also their settings via a connected PC. When a project demands pixel control ArcPixel™ Power provides the most effective and simple solution.



TECHNICAL SPECIFICATIONS:

ELECTRICAL

Input Voltage 100-240V AC 50/60 Hz
 Typical Power Consumption 650 W (+/- 10%), US version 420 W (+/- 10%)

CONTROL

Interface Protocol USITT DMX512, ArtNet
 Display 4 Digit LED

PHYSICAL

Width x Height x Depth inches: 12.8 x 10.1 x 3.7
 mm: 326 x 256 x 94

Weight lbs: 7.5
 kg: 3.4

Number of Led Output Zones 4 (ArtNet), 3 (DMX)
 Maximum Load Per Zone ArcDot (RGBW)/ArcDot Flash/ArcSource Outdoor 4MC Pixel: CE - 35 (typically 25), US - 16, ArcPix (RGB): CE - 100, US - 65, ArcSource Outdoor 16MC Pixel: CE - 3, US - 2

Total Load ArcDot (RGBW)/ArcDot Flash/ArcSource Outdoor 4MC Pixel: CE - 100, US - 64, ArcPix (RGB): CE - 400, US - 260, ArcSource Outdoor 16MC Pixel: CE - 12, US - 8

Max Cable Length ArcDot/ArcDot Flash/ArcSource Outdoor 4MC Pixel: CE - 100m @ 25 units per output (or 65m @ 35 Dots), US - 100m @ 16 units per output, ArcPix: CE - 100m @ 100 ArcPixes per output, US - 100m @ 65 ArcPixes per output, ArcSource Outdoor 16MC Pixel: CE - 100m @ 3 units per output, US - 100m @ 2 units per output

LED Output Connection ArcDot/ArcDot Flash/ArcSource Outdoor 4MC/16MC Pixel: Chogori IP67, 3-pin (Female) ArcPix: Sauro CGF 050 M5

DMX Connection 3 Pin Male / Female XLR (In and Out)
 ArtNet Connection RJ45
 Power Connection: Panel connector IEC C14 (socket)
 Mounting Method 4 Mounting Holes
 Protection Factor IP20
 IK Rating n/a
 Cooling System Convection
 Operating Temperature Range -10°C / +40°C (14°F / +104°F)

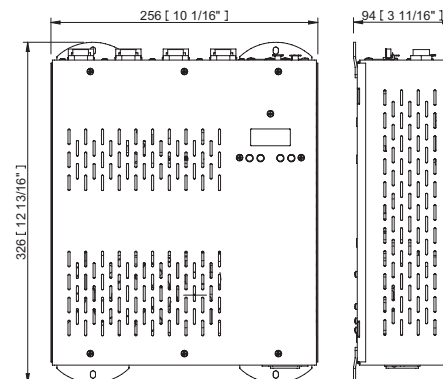
CERTIFICATION

Listings ETL / cETL, CE, RoHS

ACCESSORIES

Power cord IEC C13 (included)
 Screw terminal board Sauro CGM 050 M5 (included)
Items needed for installation
(quantity depends on size and type of installation), CE only:
 Ferrite GTFC 16-8-16 (for ArcDot/Flash, ArcSource Outdoor 4MC Pixel)
 Ferrite CSA19/9.4/29-4560-EN (for ArcPix)

DIMENSIONS mm [in]:



MiniMe DV™

Based on the standard MiniMe™ fixture but in a new modern and elegant design. The Minime DV™ is an effects lighting luminaire with the addition of full video output. This small, neat, fast moving fixture is LED driven with 20,000 hour lifetime source. Colours, gobos and beam shapes are all digitally generated by the onboard micro-media server. Custom artwork, still photographs and video can also be simply uploaded for projection, while live video can be streamed through the High Definition Multimedia Interface input. Thanks to these features bar, club and retail lighting has taken another step into the digital future.



TECHNICAL SPECIFICATIONS:

ELECTRICAL

Input Voltage 100-240V AC 50/60 Hz
Typical Power Consumption 100W, +/-10%

OPTICAL

Light Source RGB LED Device
Hardware Raspberry Pi Model B 512MB RAM
LED Life Expectancy 20,000 Hrs
Light Output Comparable with 300 ANSI Lumen Fixtures

CONTROL

Interface Protocol USITT DMX512, RDM, ArtNet, WIRELESS CRMX (OPTIONAL)
Content Uploadable from USB
Live Input from HDMI
ArtNet Ready for CAN
Linux OS
Two Row LCD Display and 4 Buttons

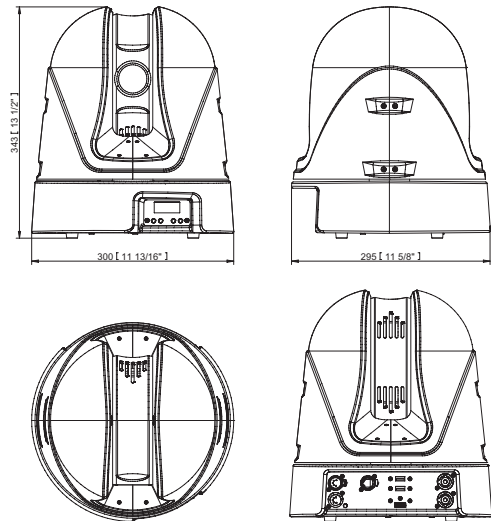
PHYSICAL

Width x Height x Depth 290 x 343 x 295mm [11.41 x 13.5 x 11.61 in]
Weight 6 kg / 13.2 lbs
Finish Options Black (matte), Black (glossy), White (glossy), Traffic Blue (glossy), Luminous Yellow (glossy), Mint Green (glossy), Traffic Red (glossy), Traffic Purple (glossy)

Control Channels 24
Cable Connection External HDMI
USB Connection 2 x USB 2.0
DMX Connection DMX In/Out - Locking 5-Pin XLR
ArtNet Connection RJ45
Mounting Method Mounting Points - 1 Pair 1/4 Turn Locks
Protection Factor IP20
Cooling System Fan Cooled
Operating Ambient Temperature 0°C / +40°C (32°F / +104°F)
Operating Temperature +60°C @ Ambient +25°C (+140°F @ Ambient +77°F)
Graphic Engine

Aspect Ratio 16:10; Throw Ratio: 3,5:1; Video speed control;
Contrast Ratio: 700:1; Display Colours: 16.7 ;
234 Colours preprogramed including 8000k white; Digital Zoom;
Resolution: WXGA (1280x800) RGB or CMY Colour Mixing;
Built-in effects including transitions and fades;
Million Horizontal and Vertical Key Stoning, Smooth Dimmer;
Image Format: JPG, Video Format: MPEG4, H264.

DIMENSIONS mm (in):



CERTIFICATION

Listings

ETL / cETL, CE, RoHS

ACCESSORIES

Wide Angle Lens 1:1.5
Mounting Bracket
Mains PowerCon In/Open End 2m
Mains PowerCon In/Schuko 2m
Mains PowerCon In/CEE 16A 2m
Mains PowerCon In/US 2m
Daisy Chain PowerCon In/Out EU 2m
Daisy Chain PowerCon In/Out US 2m

MiniMe™

The MiniMe™ is a unique product combining a moving head effects lighting luminaire with the addition of full video output. This compact, LED fixture is capable of producing a huge range of lighting effects combined with full video projection capabilities. The onboard micro-media server digitally generates colours, Gobos and beam shapes. Custom artwork, still photographs and video can also be simply uploaded for projection, while live video can be streamed through the HDMI input. The MiniMe™ is a truly versatile product for architectural illumination, retail POS visuals as well as corporate logo projection.



TECHNICAL SPECIFICATIONS:

ELECTRICAL

Input Voltage 100-240V AC 50/60 Hz
 Typical Power Consumption 100W, +/-10%

OPTICAL

Light Source RGB LED Device
 Hardware Raspberry Pi Model B 512MB RAM
 LED Life Expectancy 20,000 Hrs
 Light Output Comparable with 300 ANSI Lumen Fixtures

CONTROL

Interface Protocol USITT DMX512, RDM, ArtNet, WIRELESS CRMX (OPTIONAL)
 Content Uploadable from USB
 Live Input from HDMI
 Ethernet Port ArtNet Ready for CAN
 Operating System Linux OS
 Display Two Row LCD Display and 4 Buttons

PHYSICAL

Width x Height x Depth Inches: 9.8 x 13.6 x 7.52
 mm: 249 x 345 x 191

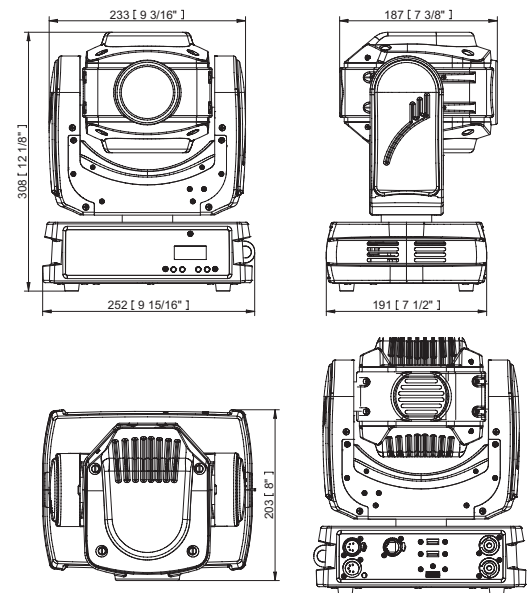
Weight lbs: 12.6
 kg: 5.7

Control Channels 24
 Cable Connection External HDMI
 USB Connection 2 x USB 2.0
 DMX Connection DMX In/Out - Locking 5-Pin XLR
 ArtNet Connection RJ45
 Mounting Method Mounting Points - 1 Pair 1/4 Turn Locks
 Protection Factor IP20
 Cooling System Fan cooled
 Operating Ambient Temperature 0°C / +40°C (32°F / +104°F)
 Operating Temperature +60°C @ Ambient +25°C (+140°F @ Ambient +77°F)
 Aspect Ratio: 16:10

Resolution: WXGA (1280x800)
 Throw Ratio: 3.5:1
 Contrast Ratio: 700:1
 Display Colours: 16.7 Million

RGB or CMY Colour Mixing, Digital Zoom
 234 Colours preprogramed including 8000k white
 Built-in effects including transitions and fades
 Horizontal and Vertical Key Stoning, smooth dimmer
 Image Format: JPG, Video Format: MPEG4, H264

DIMENSIONS mm (in):



CERTIFICATION

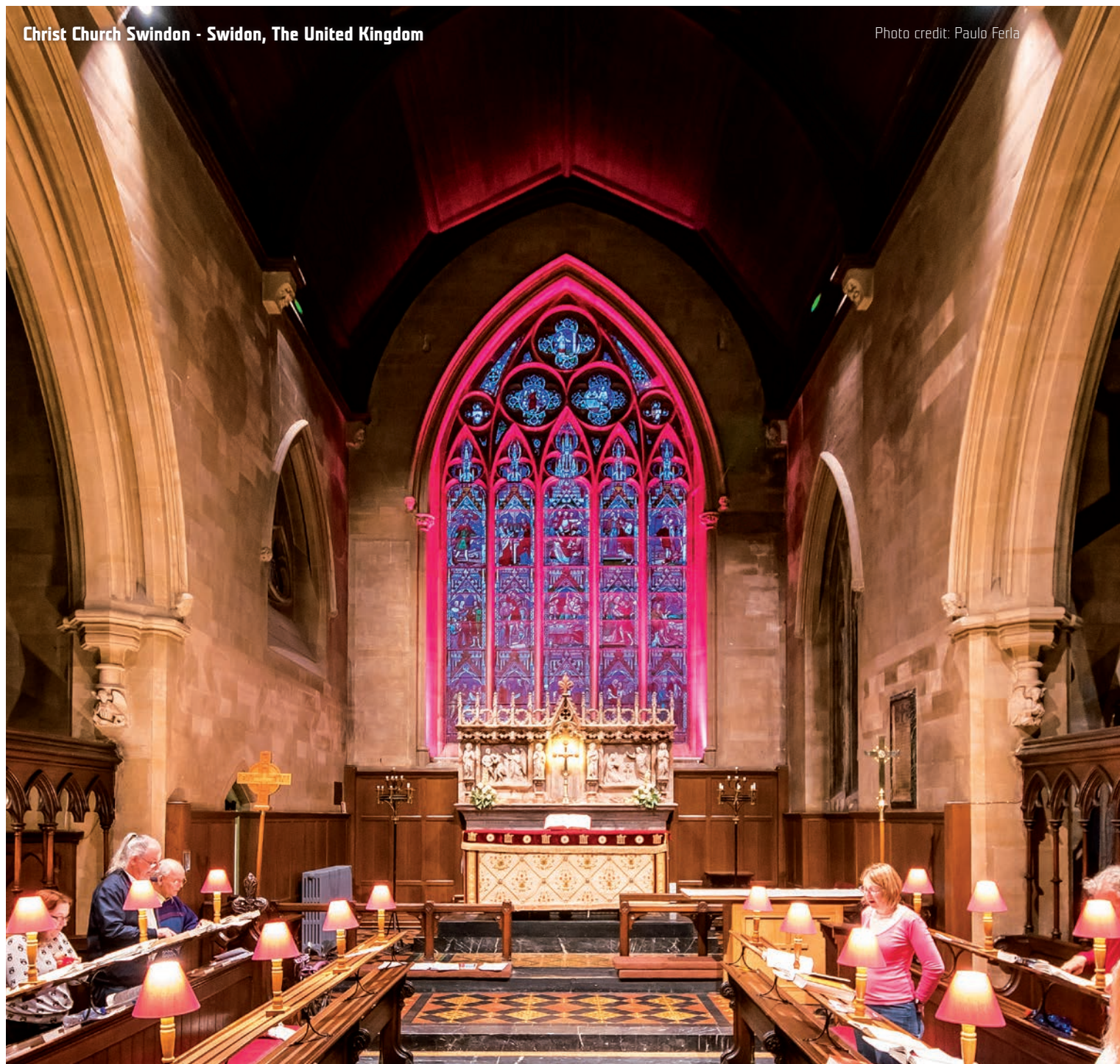
Listings ETL / cETL, CE, RoHS

ACCESSORIES

Wide Angle Lens 1:1.5 (White)
 Mounting Bracket (White)
 Mains PowerCon In/Open End 2m
 Mains PowerCon In/Schuko 2m
 Mains PowerCon In/CEE 16A 2m
 Mains PowerCon In/US 2m
 Daisy Chain PowerCon In/Out EU 2m
 Daisy Chain PowerCon In/Out US 2m

Christ Church Swindon - Swidon, The United Kingdom

Photo credit: Paulo Ferla



ArcPar

ArcPar™ S1 ▶ **Pg. 62**



ArcPar™ SB1 ▶ **Pg. 63**



ArcPar™ 100 ▶ **Pg. 64**



ArcPar™ S1

The ArcPar™ S1 incorporates a powerful single source LED module and high performance reflector, designed specifically to provide the highest quality of light. Available in a range of different colour temperatures to suit the application and combining high resolution DMX dimming and a native 23° output, make it suitable for a wide variety of applications. Designed and built entirely at our Czech facility from lightweight composite material finished in either silver or white. Supplied complete with gel frame, detachable barn door set and swivel floor stand/hanging bracket. Competitively priced and offered with a full compliment of additional cost options including: beam diffusers and plug-in wireless DMX module.



TECHNICAL SPECIFICATIONS:

ELECTRICAL

Input Voltage 100-240V, 50/60 Hz
 Typical Power Consumption 150W @ 230V, +/-5%
 Power Supply Electronic Auto-Ranging

OPTICAL

Light Source 130W COB LED
 Colour Variants Pure White
 PW (2700K, 3000K, 4000K, 5800K)
 Beam Angle 12°, 23° (Optional Diffusers Available)
 Lumen Output Delivered 7072lm (2700K @ 23°), 8127lm (5800K @ 23°)
 CRI 96 (2700K), 93 (3000K), 80 (4000K), 82 (5800K)
 Projected Lumen Maintenance 60,000 hrs (L70@ 25°C / 77°F)

CONTROL

Interface Protocol USITT DMX512, RDM
 Wireless DMX (Option) Lumen Radio CRMX Technology
 Control System 2-Row LCD Display Et 4 Buttons
 Dimmer High Resolution Dimmer 0-100%
 Stand Alone Control Yes
 DMX Channels 1, 2, 3
 DMX Modes 3
 Built in Programs Yes
 Editable Programs 3 (Up to 40 Steps Each)

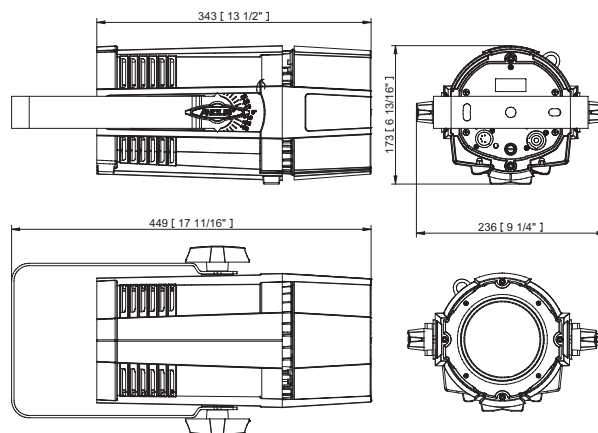
PHYSICAL

Width x Height x Depth 236 x 173 x 343 (449)mm (9.29 x 6.81 x 13.50 (17.68) in)
 Weight 4.5 kg (9.92 lb)
 Finish Options Silver, White
 Fixture Connections Data In/Out: Locking 5-Pin XLR
 Power Connector: Neutrik PowerCon In/Out
 Mounting Method U-Bracket
 Adjustability 360°
 Protection Factor IP20
 Cooling System Silent Fan Cooling
 Operating Ambient Temperature Max. +40° C [+104° F]
 Maximum Surface Temperature 80°C (176°F) @ LED Heat Sink

CERTIFICATION

Listings ETL / cETL, CE, RoHS

DIMENSIONS mm [in]:



ACCESSORIES

Diffuser 28° for ArcPar S1 (included)
 Accessory Frame Adaptor (included)
 Gel Frame (included)
 Barn door for ArcPar S1 (aperture 90x90mm) (included)
 Wireless CRMX-LB100
 Barn door for ArcPar S1 (aperture 157x157 mm)
 Diffuser 40° for ArcPar S1
 Diffuser 50° for ArcPar S1
 Diffuser 62°x 46° for ArcPar S1
 Diffuser 70°x 48° for ArcPar S1
 Mains Cable PowerCon In/open ended, 2m
 Mains Cable PowerCon In/Schuko, 2m
 Mains Cable PowerCon In/CEE 16A, 2m
 Mains Cable PowerCon In/US, 2m
 Daisy Chain PowerCon In/Out, EU, 2m
 Daisy Chain PowerCon In/Out, US, 2m

ArcPar™ SB1

The ArcPar™ SB1 utilises the same high quality LED lamp source as the ArcPar™ S1, however instead of remote digital dimming control, the unit features a simple jog dial and button for smooth high resolution dimming adjustment and setting of required light output level. A range of different colour temperatures to suit the application with a native 23° output, makes it universally appealing. Designed and built entirely in our state of the art manufacturing facility in the Czech Republic from a lightweight composite material in silver or white finish and supplied complete with gel frame, detachable barn door set and swivel floor stand/hanging bracket. Competitively priced and offered with a full complement of additional cost options including multiple beam diffusers.



TECHNICAL SPECIFICATIONS:

ELECTRICAL

Input Voltage	100-240V, 50/60 Hz (CE version), 100-277V, 50/60 Hz (US version)
Typical Power Consumption	150W @ 230V, +/-5%
Power Supply	Electronic Auto-Ranging

OPTICAL

Light Source	130W COB LED
Colour Variants	Pure White PW (2700K, 3000K, 4000K, 5800K)
Beam Angle	12°, 23° (Optional Diffusers Available)
Lumen Output Delivered	7072lm (2700K @ 23°), 8127lm (5800K @ 23°)
CRI	96 (2700K), 93 (3000K), 80 (4000K), 82 (5800K)
Projected Lumen Maintenance	60,000 hrs (L70@ 25°C / 77°F)

CONTROL

Setting/Control	Jog Dial & Button
Dimmer	Manual Dimmer 0-100%

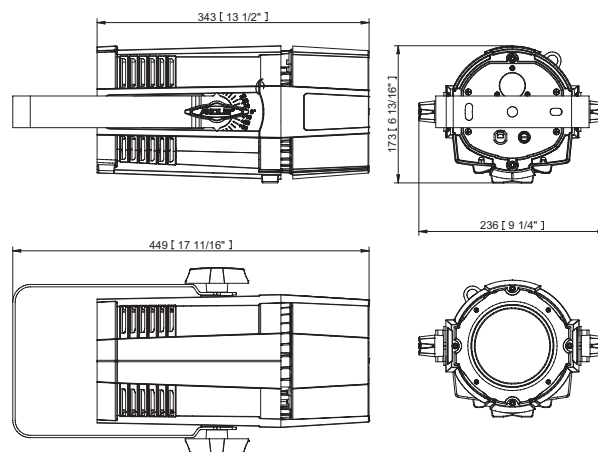
PHYSICAL

Width x Height x Depth	236 x 173 x 343 (449)mm (9.29 x 6.81 x 13.50 (17.68) in)
Weight	4.5 kg (9.92 lb)
Finish Options	Silver, White
AC Connection	3-Core Cable
Mounting Method	U-Bracket
Adjustability	360°
Protection Factor	IP20
Cooling System	Silent Fan Cooling
Operating Ambient Temperature	Max. +40° C (+104° F)
Maximum Surface Temperature	80°C (176°F) @ LED Heat Sink

CERTIFICATION

Listings	ETL / cETL, CE, RoHS
----------	----------------------

DIMENSIONS mm [in]:



ACCESSORIES

- Diffuser 28° for ArcPar SB1 (included)
- Accessory Frame Adaptor (included)
- Gel Frame (included)
- Barn door for ArcPar SB1 (aperture 90x90mm) (included)
- Barn door for ArcPar SB1 (aperture 157x157 mm)
- Diffuser 40° for ArcPar SB1
- Diffuser 50° for ArcPar SB1
- Diffuser 62°x 46° for ArcPar SB1
- Diffuser 70°x 48° for ArcPar SB1

ArcPar™ 100

The ArcPar™ 100 is a focused beam LED light source in a traditional par can style housing fully manufactured in Europe. Key features include both CMY & RGBW colour control, tungsten emulation, selectable & variable colour temperatures and a really powerful 7° beam. The compact and lightweight moulded composite unit is complete with a combined hanging bracket/floor stand. Wireless DMX, clip-on diffusion filters and detachable barn doors are available as additional cost options making the unit a truly flexible option for many retail, leisure and architectural applications.



TECHNICAL SPECIFICATIONS:

ELECTRICAL

Input Voltage	100-240V, 50/60 Hz
Typical Power Consumption	200W @ 230V, +/-10%
Power Supply	Electronic Auto-Ranging

OPTICAL

Light Source	12x RGBW multichip
Colour Variants	RGBW (W=CW-6300K)
Beam Angle	7° (10°, 20°, 40° With Optional Diffusers)
Projected Lumen Maintenance	70 % @ 60.000 hours

CONTROL

Interface Protocol	USITT DMX512, RDM
Wireless DMX (Optional Accessory)	Lumen Radio CRMX Technology
Control System	2-row LCD display & 4 buttons
Dimmer	Smooth Dimmer 0-100%
Stand Alone	Yes
DMX Channels	14, 9, 4, 30, 35, 4, 6
DMX Modes	7
Built in Programs	7
Editable Programs	3 (Up to 40 Steps Each)

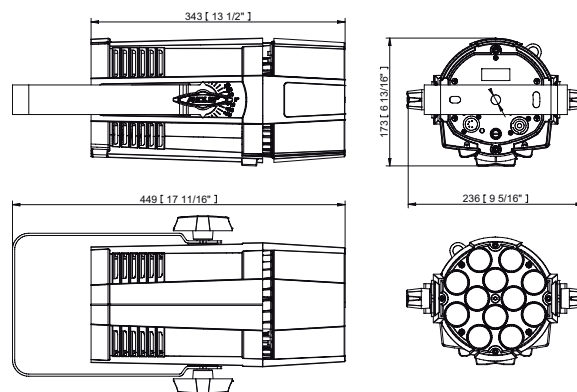
PHYSICAL

Width x Height x Depth	240 x 173 x 343 (449)mm (9.29 x 6.81 x 13.50 (17.68) in)
Weight	4 kg (8.8 lb)
Finish Options	White
Fixture Connections	Data In/Out: Locking 5-Pin XLR Power Connector: Neutrik PowerCon In/Out
Mounting Method	U-Bracket
Adjustability	360°
Protection Factor	IP20
Cooling System	Silent Fan Cooling
Operating Ambient Temperature	Max. +40° C (+104° F)
Maximum Surface Temperature	80° C (176° F) @ LED Heat Sink

CERTIFICATION

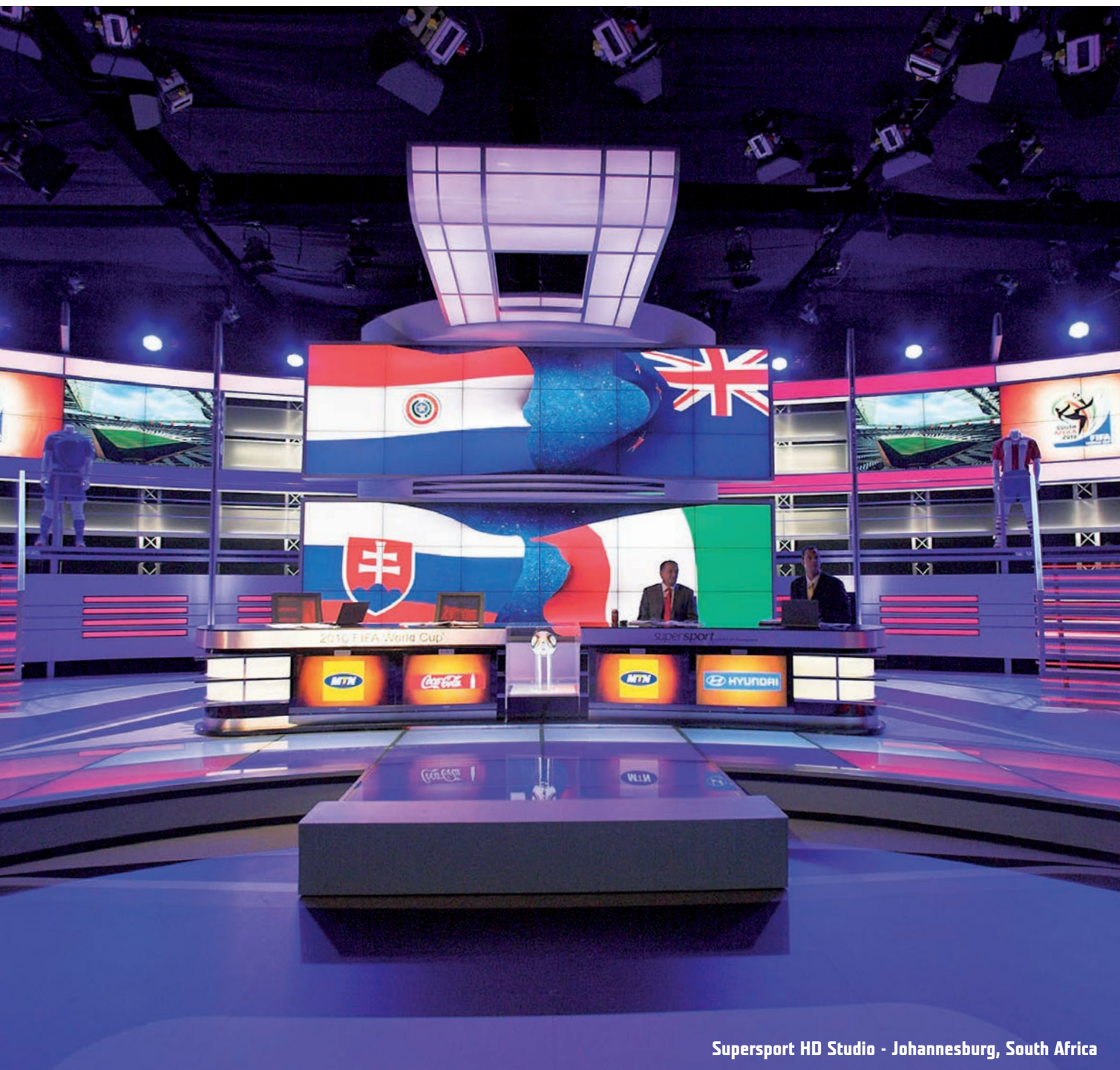
Listings	ETL / cETL, CE, RoHS
----------	----------------------

DIMENSIONS mm [in]:



ACCESSORIES

Wireless CRMX-LB100
Accessory Frame Adaptor
Gel Frame
Barn door
Diffuser 40°
Diffuser 20°
Diffuser 10°
Mains Cable PowerCon In/open ended, 2m
Mains Cable PowerCon In/Schuko, 2m
Mains Cable PowerCon In/CEE 16A, 2m
Mains Cable PowerCon In/US, 2m
Daisy Chain PowerCon In/Out, EU, 2m
Daisy Chain PowerCon In/Out, US, 2m



Supersport HD Studio - Johannesburg, South Africa



Gardens by the Bay - Singapore

DRS ArcPower ArcPower Outdoor

ArcPower™ 70 DRS ▶ **Pg.68**
ArcPower™ 200 DRS
ArcPower™ 600 DRS



ArcPower™ 36 SW, ▶ **Pg. 73**
72 SW, 144 SW, 360 SW



ArcControl™ DRS, ArcControl™ DRS Pixel ▶ **Pg. 69**



ArcSplitter™ 4, 2x12 ▶ **Pg. 74**



ArcZone™ DRS, ArcZone™ DRS Pixel ▶ **Pg. 70**



ArcPower™ 24 Outdoor ▶ **Pg. 75**



ArcPower™ Rack Unit ▶ **Pg. 71**
ArcPower™ Rack Unit Pixel



ArcPower™ 48 Outdoor ▶ **Pg. 76**



ArcPower™ 36, 72, 144, 360 ▶ **Pg. 72**



ArcPower™ 192 Outdoor ▶ **Pg. 77**



ArcPower™ 24MC (24V) ▶ **Pg. 78**



ArcPower™ 70 DRS, ArcPower™ 200 DRS, ArcPower™ 600 DRS

The Anolis ArcPower™ DRS (DIN RAIL SYSTEM) is a brand new range of products creating a system of both power supply and control for the extensive range of Anolis LED luminaires. By combining the latest LED driver technology and data protocols with the industry standard EN, IEC din rail mounting system, the ArcPower™ DRS provides a truly flexible and efficient range of options for bringing to life both the most simple and most sophisticated of lighting schemes. Separate power supply, control and output modules allow systems to be built to meet the precise requirements of the specified products, leading to greater ease of installation and higher system efficiency.



TECHNICAL SPECIFICATIONS:

ELECTRICAL

Input Voltage 100-277V AC 50/60 Hz
 Max. Output Power 70W / 200W / 600W
 Typical Power Consumption 80W / 220W / 650W, +/-10%
 Max. Output Voltage 48V (CE), 28V, 48V (US)

CONTROL

Control System ArcControl DRS, ArcControl DRS Pixel

PHYSICAL

Width x Height x Depth
 ArcPower 70 DRS: 161 x 128 x 83 mm (6.34 x 5.04 x 3.27 inch)
 ArcPower 200 DRS: 211 x 128 x 83 mm (8.31 x 5.04 x 3.27 inch)
 ArcPower 600 DRS: 266 x 128 x 83 mm (10.47 x 5.04 x 3.27 inch)

Weight
 ArcPower 70 DRS: 0.8 kg (1.76 lbs)
 ArcPower 200 DRS: 1.2 kg (2.65 lbs)
 ArcPower 600 DRS: 1.7 kg (3.75 lbs)

Power
 ArcControl DRS Connection Plug-In Terminal Block
 Mounting Method Din Rail Lock
 Protection Factor IP20 / Suitable For Dry Locations
 Cooling System Fan Cooled
 Operating Ambient Temperature 0° / +50°C (+32°F / +122°F)

CERTIFICATION

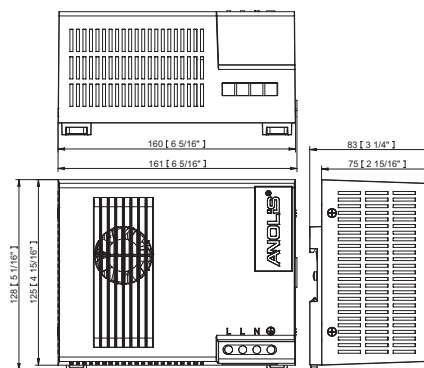
Listings ETL / cETL, CE, RoHS pending

ACCESSORIES

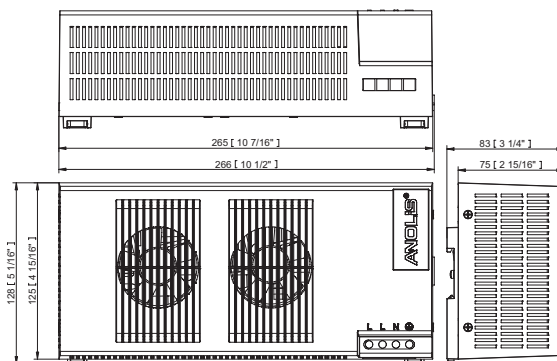
DIN Rail Clamp (included)
 Cable Cover for ArcPower 70/200/600 DRS (optional)
 DIN Rail 35mm for DRS
 ArcPower DRS „DF“ (Dust Filter) Version available

DIMENSIONS mm [in]:

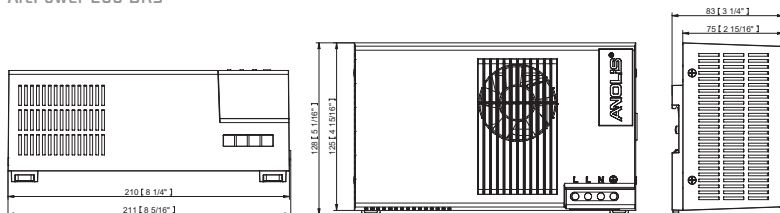
ArcPower 70 DRS



ArcPower 600 DRS



ArcPower 200 DRS



ArcControl™ DRS, ArcControl™ DRS Pixel

The Anolis ArcPower™ DRS (DIN RAIL SYSTEM) is a brand new range of products creating a system of both power supply and control for the extensive range of Anolis LED luminaires. By combining the latest LED driver technology and data protocols with the industry standard EN, IEC din rail mounting system, the ArcPower™ DRS provides a truly flexible and efficient range of options for bringing to life both the most simple and most sophisticated of lighting schemes. Separate power supply, control and output modules allow systems to be built to meet the precise requirements of the specified products, leading to greater ease of installation and higher system efficiency.



TECHNICAL SPECIFICATIONS:

ELECTRICAL

Input Voltage 48V (CE), 28V, 48V (US)
 Typical Power Consumption 4W (Without Connected LED Module)
 Max. Output Current (ArcControl DRS only) 350mA or 700mA (or Custom Setting 100mA-1000mA)
 Max. Output Power ArcControl DRS: 134W
 ArcControl DRS Pixel: 150W

CONTROL

Interface Protocol USITT DMX512, ArtNet, MANet, MANet2, sACN
 Operation Modes DMX, Stand-Alone
 Display Graphic Touch Screen (50x40mm / 1.97x1.57 inch)

PHYSICAL

Width x Height x Depth 143 x 128 x 83 mm (5.63 x 5.04 x 3.27 inch)
 Weight 0.5 kg (1.1 lbs)
 Number of LED Output Zones 1

Max. Load Per Channel ArcControl DRS: 15x ArcZone DRS or 8x ArcZone DRS Pixel
 ArcControl DRS Pixel: 7x ArcZone DRS Pixel or 16x ArcZone DRS
 Max. Load Per Output ArcControl DRS (48V): Max. 12 LEDs
 ArcControl DRS Pixel (CE): 100x ArcPix or 35x ArcDot/
 ArcSource Outdoor 4MC Pixel /ArcDotFlash/3x ArcSource Outdoor 16MC Pixel
 ArcControl DRS Pixel (US, 48V): 65x ArcPix or 16x ArcDot/
 ArcSource Outdoor 4MC Pixel /ArcDotFlash/2x ArcSource Outdoor 16MC Pixel

ArcPower DRS/ArcZone DRS Connection Plug-In Terminal Block
 LED Output (ArcControl DRS) RJ45/Terminal Block (8-Pin)
 LED Output (ArcControl DRS Pixel) Terminal Blocks (3-Pin And 5-Pin)
 DMX Connection In/Out Terminal Block
 Ethernet Connection RJ45
 Other Trigger Input, Max. 5V DC (Terminal Block)
 12V DC Output For DMX Controller

Mounting Method Din Rail Lock
 Editable Programs 3 (Up To 40 Steps Each)
 Protection Factor IP20 / Suitable For Dry Locations
 Cooling System Convection
 Operating Ambient Temperature 0° / +50°C (+32°F / +122°F)

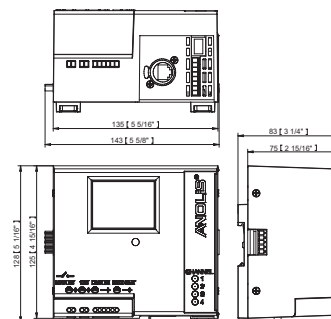
CERTIFICATION

Listings ETL / cETL, CE, RoHS pending

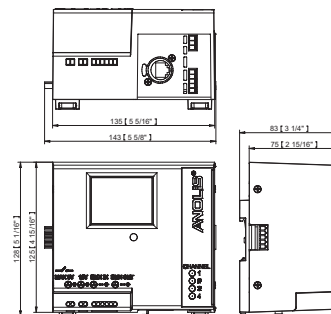


DIMENSIONS mm (in):

ArcControl DRS



ArcControl DRS Pixel



ACCESSORIES

ArcControl DRS: Terminal Block M, 8-Pin (included)
 ArcControl DRS Pixel: Terminal Blocks M, 3-Pin And 5-Pin (included)
 DIN Rail 35mm for DRS
 Terminal Block DRS, Screw Female (5-pin)
 Terminal Block DRS, Screw Male (5-pin)
 Cable Flat UL2468#AWG18
 ArcZone DRS 0-10V, ArcZone DRS 0-10V (LV)
 ArcZone DRS RTC

ArcZone™ DRS, ArcZone™ DRS Pixel

The Anolis ArcPower™ DRS (DIN RAIL SYSTEM) is a brand new range of products creating a system of both power supply and control for the extensive range of Anolis LED luminaires. By combining the latest LED driver technology and data protocols with the industry standard EN, IEC din rail mounting system, the ArcPower™ DRS provides a truly flexible and efficient range of options for bringing to life both the most simple and most sophisticated of lighting schemes. Separate power supply, control and output modules allow systems to be built to meet the precise requirements of the specified products, leading to greater ease of installation and higher system efficiency.



TECHNICAL SPECIFICATIONS:

ELECTRICAL

Input Voltage	48V (CE), 28V, 48V (US)
Typical Power Consumption	2W (Without Connected LED Module)
Max. Output Current (ArcControl DRS only)	350mA or 700mA (or Custom Setting 100mA-1000mA)
Max. Output Power	ArcZone DRS: 134W ArcZone DRS Pixel: 150W

CONTROL

Width x Height x Depth	38 x 128 x 83 mm [1.50 x 5.04 x 3.27 inch]
Weight	0.2 kg [0.44 lbs]
Number of LED Output Zones	1
Max. Load Per Channel	ArcControl DRS (48V): Max. 12 LEDs
Max. Load Per Output	ArcControl DRS Pixel (CE): 100x ArcPix or 35x ArcDot/ ArcSource Outdoor 4MC Pixel / ArcDotFlash/3x ArcSource Outdoor 16MC Pixel ArcControl DRS Pixel (US, 48V): 65x ArcPix or 16x ArcDot/ ArcSource Outdoor 4MC Pixel / ArcDotFlash/2x ArcSource Outdoor 16MC Pixel
ArcControl DRS/ArcZone DRS Connection	Plug-In Terminal Block
LED Output (ArcZone DRS)	RJ45/Terminal Block (8-Pin)
LED Output (ArcZone DRS Pixel)	Terminal Blocks (3-Pin And 5-Pin)
Mounting Method	Din Rail Lock
Max. Cable Length (ArcControl DRS only)	80m (350mA), 20m (700mA)
Protection Factor	IP20 / Suitable For Dry Locations
Cooling System	Convection
Operating Ambient Temperature	0° / +50°C [+32°F / +122°F]

CERTIFICATION

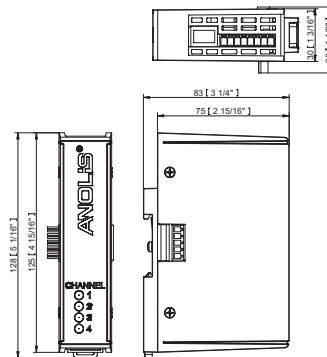
Listings

ACCESSORIES

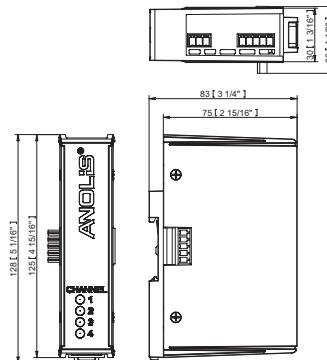
- ETL / cETL, CE, RoHS pending
- ArcZone DRS: Terminal Block M, 8-Pin (included)
- ArcControl DRS Pixel: Terminal Blocks M, 3-Pin And 5-Pin (included)
- DIN Rail 35mm for DRS
- Terminal Block DRS, Screw Female (5-pin)
- Terminal Block DRS, Screw Male (5-pin)
- Cable Flat ULL2468#AWG18
- ArcZone DRS 0-10V, ArcZone DRS 0-10V (LV)
- ArcZone DRS RTC

DIMENSIONS mm (in):

ArcZone DRS



ArcZone DRS Pixel



ArcPower™ Rack Unit, ArcPower™ Rack Unit Pixel

Continuing the success of the ArcPower™ 384 Rack Mount, the NEW ArcPower™ Rack Unit integrates the latest technology to offer even greater performance in terms of both efficiency and flexibility.



TECHNICAL SPECIFICATIONS:

ELECTRICAL

Input Voltage 100-240V AC 50/60 Hz (CE), 100-277V AC 50/60 Hz (US)
 Typical Power Consumption 1400W +/-10%
 Max. Output Current (Rack Unit only) 350mA, 700mA, custom 100mA-1000mA Per Channel
 Max Output Voltage 48V (CE), 28V, 48V (US)

CONTROL

Interface Protocol USITT DMX512, ArtNet, MANet, MANet2, sACN
 Operation Modes DMX, Master/Slave, Stand-Alone
 Control System Graphic Touch Screen (50x40mm / 1.97x1.57 inch)

PHYSICAL

Width x Height x Depth 484 (432) x 90 x 321 (282) mm [19.05 (17.00) x 3.54 x 12.64 (11.10) inch]
 Weight 6.5 kg / 14.3 lbs
 Number of LED Output Zones 8
 Max. 12 LEDs

(CE): 100x ArcPix or 35x ArcDot/ArcSource Outdoor 4MC Pixel /ArcDotFlash/3x ArcSource Outdoor 16MC Pixel
 (US,48V): 65x ArcPix or 16x ArcDot/ArcSource Outdoor 4MC Pixel /ArcDotFlash/2x ArcSource Outdoor 16MC Pixel
 Rack Unit: RJ45/Terminal Block (8-Pin)
 Rack Unit Pixel: Terminal Blocks (3-Pin And 5-Pin)
 Terminal Block (2x 3-Pin XLR)
 RJ45

LED Output
 DMX Connection In/Out 12V DC Output For DMX Controller
 Ethernet Connection 3 (Up To 40 Steps Each)
 Other Trigger Input, Max. 5V DC (Terminal Block)

Editable Programs 12V DC Output For DMX Controller
 Mounting Method 3 (Up To 40 Steps Each)
 Protection Factor Rack Mount
 Cooling System IP20 / Suitable For Dry Locations
 Operating Ambient Temperature Fan Cooled
 Operating Temperature 0° / +40°C [+32°F / +104°F]
 Total Heat Dissipation (calculated) +75°C @ Ambient +50°C [+167°F @ Ambient +122°F]
 4770 BTU/h

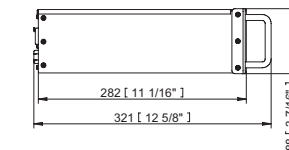
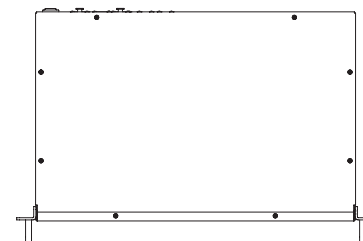
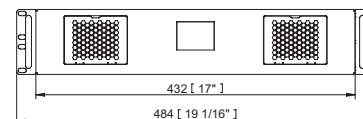
CERTIFICATION

Listings ETL / cETL, CE, RoHS pending

ACCESSORIES

Rack Unit: 8x Terminal Block M, 8-Pin (included)
 Rack Unit Pixel: 8+8 Terminal Blocks M, 3-Pin And 5-Pin (included)

DIMENSIONS mm [in]:



ArcPower Rack Unit - rear panel



ArcPower Rack Unit Pixel - rear panel



ArcPower™ 36, 72, 144, 360

The Anolis range of LED lighting fixtures is brought to life with power and control via the ArcPower™ range. Manufactured from only the highest quality components the ArcPower™ range produces both the performance and reliability required for modern lighting solutions. Using industry standard protocols such as DMX 512 and RS232 along with globally recognized RJ45 connectors the ArcPower™ range is the lighting designer's perfect solution.



TECHNICAL SPECIFICATIONS:

ELECTRICAL

Input Voltage 100-240V AC 50/60 Hz
 Typical Power Consumption 60W, 120W, 240W, 840W, +/-10%
 Max Output Current 350mA Per Colour

CONTROL

Interface Protocol USITT DMX512, DyNet, RS232
 Operation Modes DMX, Master/ Slave, Stand-Alone
 Display 3 Digit LED

PHYSICAL

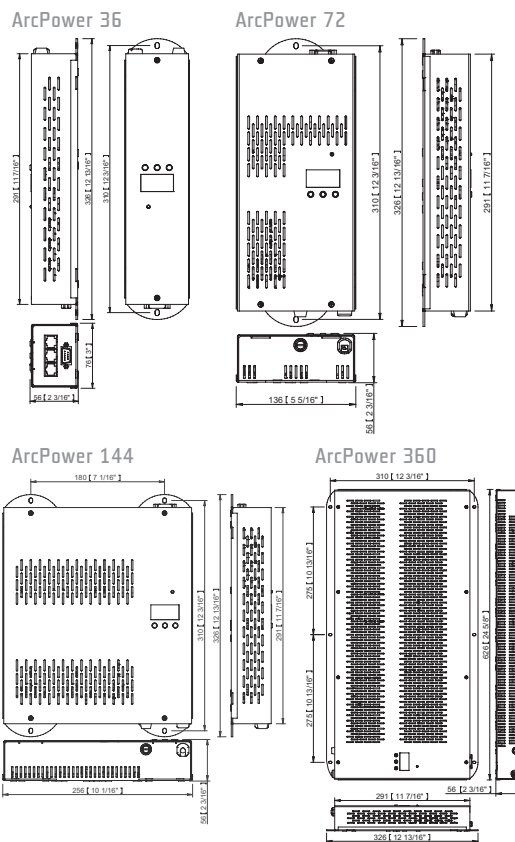
Width x Height x Depth
 Inches: 36 - 12.84 x 2.21 x 2.99, 72 - 12.84 x 2.21 x 5.35,
 144 - 12.84 x 2.21 x 10.08, 360 - 24.65 x 2.21 x 12.84
 mm: 36 - 326 x 56 x 76, 72 - 326 x 56 x 136,
 144 - 326 x 56 x 256, 360 - 626 x 56 x 326
 Weight
 lbs: 36 - 2.43, 72 - 4, 144 - 6.4, 360 - 13.9
 kg: 36 - 1.1, 72 - 1.8, 144 - 2.9, 360 - 6.3
 Number of Led Output Zones 36 - 1, 72 - 2, 144 - 4, 360 - 10
 Maximum Load Per Zone
 RGB: 36 x 1W LEDs
 RGBW: 42 x 1W LEDs
 RGBW (MC): 10x MC LED's
 Total Load
 RGB: 36 x 1W LEDs, 72 x 1W LEDs, 144 x 1W LEDs, 360 x 1W LEDs
 RGBW: 42 x 1W LEDs, 84 x 1W LEDs, 168 x 1W LEDs, 420 x 1W LEDs
 RGBW (MC): 10 x MC LEDs, 20 x MC LEDs, 40 x MC LEDs, 100 x MC LEDs
 DMX Channels
 36 - 3, 4, 6, 7, 4, 72 - 6, 8, 11, 4, 4, 144 - 12, 16, 19, 4, 4,
 360 - 30, 40, 43, 4, 5
 DMX Modes
 36 - 5, 72 - 5, 144 - 5, 360 - 5
 Built in Programs
 36 - 10, 72 - 6, 144 - 6, 360 - 6
 Editable Programs
 36 - 3 (Upto 50 Steps Each), 72 - 3 (Upto 50 Steps Each),
 144 - 3 (Upto 50 Steps Each), 360 - 3 (Upto 30 Steps Each)
 Max Cable Length
 80m Max Per Zone
 LED Output Connection
 RJ45
 DMX Connection
 RJ45
 RS232 Connection
 DE-9 (Male)
 Mounting Method
 36 - 2 Mounting Holes, 72 - 2 Mounting Holes, 144 - 4 Mounting Holes
 360 - 6 Mounting Holes
 Protection Factor
 IP20
 Cooling System
 Convection
 Operating Temperature Range
 -10°C / +40°C [14°F / +104°F]

CERTIFICATION

Listings CE, RoHS, ETL / cETL



DIMENSIONS mm [in]:



ACCESSORIES

Cable Joiner (included)
 RJ45 / DMX 3 Pin Adaptor
 RJ45 / DMX 5 Pin Adaptor

ArcPower™ 36 SW, 72 SW, 144 SW, 360 SW

The ArcPower™ 36, 72, 144 SmartWhite bring life to the Anolis SmartWhite range of LED lighting fixtures. Electronic dimming of the individual white channels allows smooth fading through a range of available colour temperatures, allowing for precise control of the colour rendering for the widest range of applications. Using industry standard protocols such as DMX 512 and RS232 along with globally recognized RJ45 connectors the ArcPower™ SmartWhite range is the lighting designer's perfect solution for variable white light applications.



TECHNICAL SPECIFICATIONS:

ELECTRICAL

Input Voltage 100-240V AC 50/60 Hz
 Typical Power Consumption 60W, 120W, 240W, 840W, +/-10%

Max Output Current 350mA Per Colour

CONTROL

Interface Protocol USITT DMX512, DyNet, RS232
 Operation Modes DMX, Master/ Slave, Stand-Alone
 Display 3 Digit LED

PHYSICAL

Width x Height x Depth
 Inches: 36 - 12.84 x 2.21 x 2.99, 72 - 12.84 x 2.21 x 5.35,
 144 - 12.84 x 2.21 x 10.08, 360 - 24.65 x 2.21 x 12.84
 mm: 36 - 326 x 56 x 76, 72 - 326 x 56 x 136,
 144 - 326 x 56 x 256, 360 - 626 x 56 x 326

Weight
 lbs: 36 - 2.43, 72 - 4, 144 - 6.4, 360 - 13.9
 kg: 36 - 1.1, 72 - 1.8, 144 - 2.9, 360 - 6.3

Number of Led Output Zones 36 - 1, 72 - 2, 144 - 4, 360 - 10

Maximum Load Per Zone

Total Load

SW (MC): 10 x MC LEDs
 SW: 36 x 1W LEDs, 72 x 1W LED's, 144 x 1W LED's, 360 x 1W LED's
 SW (MC): 36 - 10 x MC LEDs, 72 - 20 x MC LED's, 144 - 40 x MC LED's,
 360 - 100 x MC LEDs
 36 - 2, 1, 2, 4, 3, 72 - 4, 1, 3, 6, 3, 6, 144 - 8, 1, 5, 10, 3, 12,
 360 - 20, 1, 11, 22

DMX Channels

DMX Modes 36 - 5, 72 - 6, 144 - 6, 360 - 4
 Built in Programs 36 - 2, 72 - 2, 144 - 2, 360 - 3
 Editable Programs 36 - 1 (up to 50 Steps Each), 72 - 1 (up to 50 Steps Each),
 144 - 1 (up to 50 Steps Each), 360 - 1 (up to 30 Steps Each)

Max Cable Length 80m Max Per Zone

LED Output Connection RJ45
 DMX Connection RJ45
 RS232 Connection DE-9 (Male)
 Mounting Method 360 - 6 Mounting Holes

Protection Factor IP20
 Cooling System Convection
 Operating Temperature Range -10°C / +40°C (14°F / +104°F)

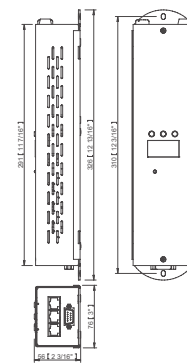
CERTIFICATION

Listings CE, RoHS, ETL / cETL

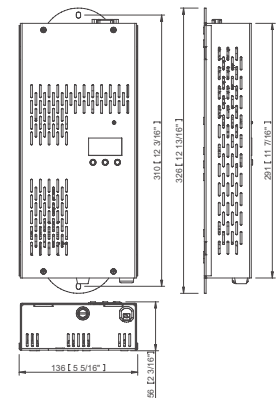


DIMENSIONS mm [in]:

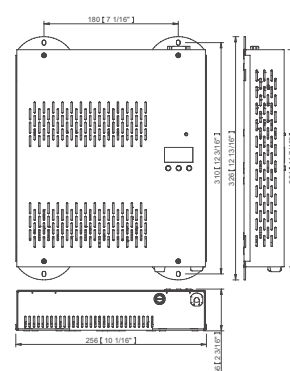
ArcPower 36 SW



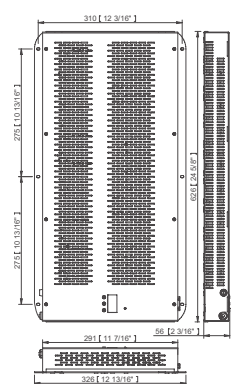
ArcPower 72 SW



ArcPower 144 SW



ArcPower 360 SW



ACCESSORIES

Cable Joiner (included)
 RJ45 / DMX 3 Pin Adaptor
 RJ45 / DMX 5 Pin Adaptor

ArcSplitter™ 4, 2x12

The ArcSplitter™ unit splits LED outputs of the ArcPower™ drivers into several branches. The ArcSplitter™ allows cabling of multiple LED modules to be easier and faster. Small and compact in design, mounting holes in the unit's housing allows easy installation without needing an extra PSU. All splitters are equipped with RJ45 sockets for data input/output. The ArcSplitter™ 4 splits one LED output of the ArcPower™ driver into 4 branches. The ArcSplitter™ 2x12 splits two LED outputs of the ArcPower™ driver into 12 branches each.



TECHNICAL SPECIFICATIONS:

PHYSICAL

Number of LED Outputs	4, 2x12
Width x Height x Depth	Inches: 8.50 x 1.26 x 3.74 (ArcSplitter 2 x 12 - 18.19 x 1.77 x 6.06) mm: 216 x 32 x 95 (ArcSplitter 2 x 12 - 462 x 45 x 154)
Weight	lbs: 1.10 (ArcSplitter 2 x 12 - 4.19) kg: 0.5 (ArcSplitter 2 x 12 - 1.9)
LED Connection	RJ45
Construction	Sheet Metal Housing
Mounting	2 Mounting Holes (4 Mounting Holes) Rackmount version available for ArcSplitter 2 x 12

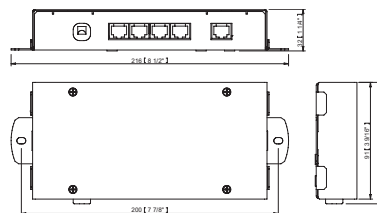
CERTIFICATION

Listings	CE, RoHS
----------	----------

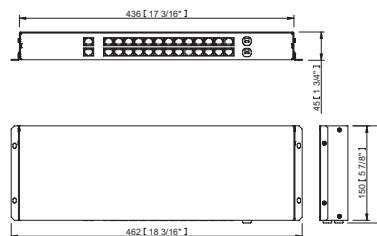


DIMENSIONS mm [in]:

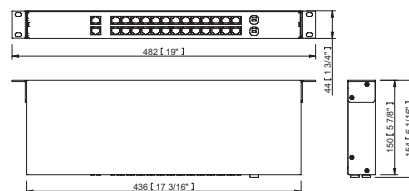
ArcSplitter 4



ArcSplitter 2x12



ArcSplitter 2x12 (with rack holders)



ArcPower™ 24 Outdoor

Robust durable construction and excellent IP rating brings the benefits of the Anolis ArcPower™ to exterior installations in the toughest environmental conditions. Capable of operating in high ambient temperatures as well as sub-zero conditions, the ArcPower™ Outdoor 24 maintains extreme reliability where it's needed most at the heart of the system. With a wireless control option available only line voltage is required at the point of installation.



TECHNICAL SPECIFICATIONS:

ELECTRICAL

Input Voltage	100-240 VAC 50/60 Hz (CE), 120-277VAC 50/60 Hz (US)*
Typical Power Consumption	70W +/-10%
Max Output Current	350mA or 700mA Per Colour

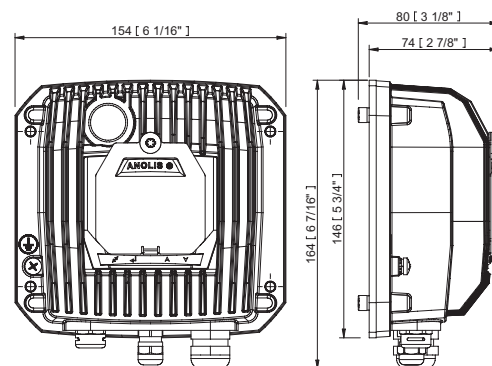
CONTROL

Interface Protocol	USITT DMX512, RDM, WIRELESS CRMX (OPTIONAL)
Operation Modes	DMX, Stand-Alone
Display	Two Row LCD and Control Buttons

PHYSICAL

Width x Height x Depth	Inches: 6.06 x 6.46 x 3.23 mm: 154 x 164 x 82
Weight	lbs: 3.1 kg: 1.4
Number of Led Output Zones	1
Maximum Load Per Zone	RGBW MC - 6 x 10W MC RGBW RGBW - 24 x 1W/3W LEDs 700mA - 24 LEDs - Max. 6 LEDs Per Colour 350mA - 24 LEDs - Max. 6 LEDs Per Colour
Lighting Effects	RGBW Colour Mixing Virtual Colour Wheel Adjustable Strobe Sequences White Colour Balance Adjusting 16-Bit Dimming 0-100% (RGBW) 2, 3, 4, 9 / (SW) 2, 2, 6 / (SC) 1, 3 (RGBW) 4 / (SW) 3 / (SC) 2 3 (Up to 40 Steps Each) 80m Max (350mA) 20m Max (700mA) LiYY 8xAWG22 - 1x 0.5m Long (1.64ft), Chogori IP67 Connector
DMX Channels	Silver, Black, White, Custom RAL (cost option)
DMX Modes	4 Mounting Holes
Editable Programs	IP67 (IP66 Junction Box)
Max Cable Length	N/A
LED Output Connection	Convection
Finish Options	+60°C @ Ambient +40°C (+140°F @ Ambient +104°F)
Mounting Method	
Protection Factor	
IK Rating	
Cooling System	
Operating Temperature Range	

DIMENSIONS mm [in]:



CERTIFICATION

Listings ETL / cETL, CE, RoHS pending

ACCESSORIES

Junction Box (included)
Gasket Cable Grommet M20 (Included)
Connector Chogori C6RBDU-08BMMMA-SL8001 (Male) IP67 (included)

ArcPower™ 48 Outdoor

When working on larger scale installations the ArcPower™ Outdoor 48 offers double the capacity of the ArcPower™ Outdoor 24 while combined with the same robust durable construction and excellent IP rating. It brings the benefits of the Anolis ArcPower™ to exterior installations in the toughest environmental conditions. Capable of operating in high ambient temperatures as well as sub-zero conditions, the ArcPower™ Outdoor 48 maintains extreme reliability where it's needed most, at the heart of the system. With a wireless control option available only line voltage is required at the point of installation.



TECHNICAL SPECIFICATIONS:

ELECTRICAL

Input Voltage 100-240 VAC 50/60 Hz (CE), 120-277VAC 50/60 Hz (US)*
 Typical Power Consumption 130W +/-10%
 Max Output Current 350mA or 700mA Per Colour

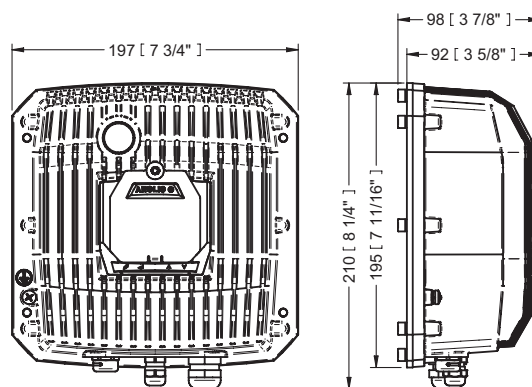
CONTROL

Interface Protocol USITT DMX512, RDM, WIRELESS CRMX (OPTIONAL)
 Operation Modes DMX, Stand-Along
 Display Two Row LCD and Control Buttons

PHYSICAL

Width x Height x Depth Inches: 7.76 x 8.27 x 3.94
 mm: 197 x 210 x 100
 Weight lbs: 8.82
 kg: 4
 Number of Led Output Zones 1
 Maximum Load Per Zone RGBW MC - 12 x 10W MC RGBW
 RGBW - 48 x 1W/3W LEDs
 700mA - 48 LEDs - Max. 12 LEDs Per Colour
 350mA - 48 LEDs - Max. 12 LEDs Per Colour
 Lighting Effects RGBW Colour Mixing
 Virtual Colour Wheel
 Adjustable Strobe Sequences
 White Colour Balance Adjusting
 16-Bit Dimming 0-100%
 DMX Channels (RGBW) 2, 3, 4, 9 / (SW) 2, 2, 6 / (SC) 1, 3
 DMX Modes (RGBW) 4 / (SW) 3 / (SC) 2
 Editable Programs 3 (Up to 40 Steps Each)
 Max Cable Length 80m Max (350mA) 20m Max (700mA)
 LED Output Connection LiYY 8xAWG22 - 1x 0.5m Long (1.64ft), Chogori IP67 Connector
 Finish Options Silver, Black, White, Custom RAL (cost option)
 Mounting Method 4 Mounting Holes
 Protection Factor IP67 (IP66 Junction Box)
 Cooling System Convection
 Operating Temperature Range +60°C @ Ambient +40°C (+140°F @ Ambient +104°F)

DIMENSIONS mm [in]:



CERTIFICATION

Listings ETL / cETL, CE, RoHS pending

ACCESSORIES

Junction Box (included)
 Gasket Cable Grommet M20 (Included)
 Connector Chogori CGRBDU-08BMMMA-SL8001 (Male) IP67 (included)

ArcPower™ 192 Outdoor

The latest addition to the highly successful range of Anolis ArcPower™ outdoor products is the ArcPower™ 192 Outdoor, a 600 Watt DMX power supply with 4 individually controllable zones. IP67 means installation is possible in the widest variety of environments, both DMX and power can be daisy chained for easy installation. Optional CRMX wireless control is also available giving even more flexibility. With an optional input voltage range up to 277V ArcPower™ 192 Outdoor can bring to life a huge range of landscape/cityscape and facade applications.



TECHNICAL SPECIFICATIONS:

ELECTRICAL

Input Voltage CE: 100-240 V AC 50/60 Hz, US: 100-277 V AC 50/60 Hz
 Typical Power Consumption 600W +/-10%
 Max Output Current 350mA or 700mA Per Colour

CONTROL

Interface Protocol USITT DMX512, RDM, WIRELESS CRMX (OPTIONAL)
 Operation Modes DMX, Stand Alone
 Display No Display

PHYSICAL

Width x Height x Depth inches: 23.62 x 7.64 x 3.86
 mm: 600 x 194 x 98
 lbs: 19.84
 kg: 9

Number of Led Output Zones 4
 Maximum Load Per Zone
 RGBW MC - 12 x 10W MC RGBW
 RGBW - 48 x 1W/3W LEDs
 700mA - 48 LEDs - Max. 12 LEDs Per Colour
 350mA - 48 LEDs - Max. 12 LEDs Per Colour

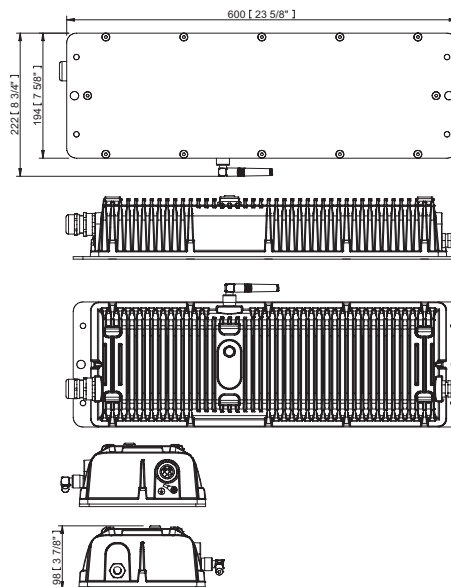
Total Load
 RGBW MC - 48 x 10W MC RGBW
 RGBW - 192 x 1W/3W LEDs

Lighting Effects
 RGBW Colour Mixing
 Built-in colour macros
 White Colour Balance Adjusting
 12,16,19,4,5

DMX Channels 5
 DMX Modes 2 (Up to 68 Steps Each)
 Editable Programs 80m Max (350mA), 20m Max (700mA)
 Max Cable Length LiYY 8xAWG22 - 4x 0.5m Long (1.64ft), Chogori IP67 Connector
 Finish Options: Silver, Black, White, Custom RAL (cost option)
 Mounting Method 4 Mounting Holes
 Protection Factor IP67 (IP66 Junction Box), Suitable for wet location
 Cooling System Convection
 Operating Temperature Range Max. +60°C @ Ambient +40°C (+140°F @ Ambient +104°F)



DIMENSIONS mm (in):



CERTIFICATION

Listings ETL / cETL, CE, RoHS

ACCESSORIES

Junction Box (included)
 Gasket Cable Grommet M20 (Included)
 Connector Chogori CGRBDU-08BMMMA-SL8001 (Male) IP67 (4pcs, included)

ArcPower™ 24MC (24V)

Designed to bring to life ArcSource™ 24MC Submersible lighting fixtures the ArcPower™ 24MC (24V) uses DMX to provide the colour/dimming control, also with built-in programs accessible by the 4-way digital display allowing for stand alone operation. An IP rating of 66 allows installation in a wide variety of environments.

Multiple fixture installation is made simple as both power and data cabling can be daisy chained, cable runs to fixtures in excess of 50m mean easy location planning. Switchable between 350mA and output allows for extra low power consumption if required.



TECHNICAL SPECIFICATIONS:

ELECTRICAL

Input Voltage	100-277V AC 50/60 Hz
Typical Power Consumption	75W (full mode) / 35W (eco mode), (+/- 10%)
Max. Output Current	700mA (full mode) / 350mA (eco mode)
LED Output Voltage	24V DC

CONTROL

Interface Protocol	USITT DMX512
Operation Modes	DMX, Stand Alone
Display	4-Digit LED, 4 buttons

PHYSICAL

Width x Height x Depth	inches: 10.24 x 7.36 x 3.54 mm: 260 x 160 x 90
Weight	lbs: 6.4 kg: 2.9
Number of Led Output Zones	1
Maximum Load Per Zone	1x ArcSource 24MC Submersible
Total Load	1x ArcSource 24MC Submersible
Editable Programs	3 (Up to 40 Steps Each)
Max Cable Length	50m (full mode), 100m (eco mode)
LED Output Connection	Connection Block
DMX Connection	Connection Block
Power Connection:	Connection Block
Mounting Method	4 Mounting Holes
Protection Factor	IP66 / Suitable for wet location
IK Rating	IK10
Cooling System	Convection
Operating Temperature Range	-20°C / +40°C (-4°F / +104°F)

CERTIFICATION

Listings ETL / cETL, CE, RoHS

ACCESSORIES

Gasket Cable Grommet M20 (included)

DIMENSIONS mm [in]:

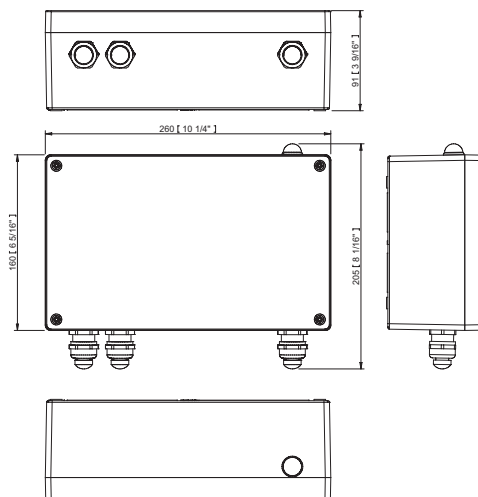




Photo credit: SSP Design

Wärmespeicher - Hildesheim, Germany



O2 Guildhall - Southampton, The United Kingdom

Photo credit: Simon Williams / Live Nation (O2 Guildhall Southampton)

ArcControl

ArcControl™ SU ▶ Pg. 82



ArcControl™ DU ▶ Pg. 83



ArcControl™ 1 ▶ Pg. 84



ArcControl™ SU

ArcControl™ SU brings the dimmer switch into the 21st century. The simple glass touch interface is backed by world leading lighting control software which allows creative programming for all types of applications. With 8 built-in scenes and up to 36 dynamic or static scenes, the user can precisely control dramatic scenes. Programmable via PC/Mac and connected directly via micro USB the ArcControl™ SU™ allows the user complete flexibility. The sleek glass touch interface is both aesthetically pleasing as well as intuitive and easy to use. Via DMX, ArcControl™ SU is ready to connect to all Anolis systems, keeping the user in complete control. Applications include Architectural, Retail, Domestic, Leisure and Entertainment.



TECHNICAL SPECIFICATIONS:

ELECTRICAL

Input Voltage 5-10V DC 0.6A

CONTROL

Interface Protocol DMX512
Operation Modes Stand-Alone
Display 12 Touch Sensitive Buttons

PHYSICAL

Width x Height x Depth
inch: 5.75 x 4.17 x 0.39
mm: 146 x 106 x 10mm
Weight
lbs: 0.44
kg: 0.2

SPECIFICATION

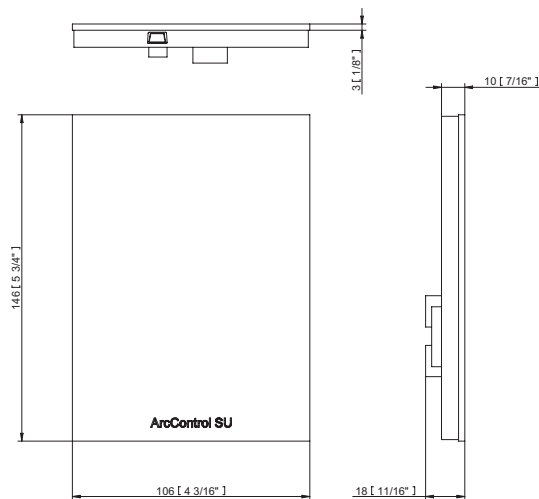
PC Requirement Windows, Mac
Software On USB
Memory Built-in flash
Face Colour Black
Mounting Wall Mount
Connections 8 Dry Contact Trigger Ports, Micro USB
DMX Channels 512 Max.
Built-In Programs 8 Scenes and 170 RGB Fixtures
Up To 36 Dynamic or Static Scenes
Compatibility Compatible With Any DMX Fixture or DMX Led Driver
Effect Color Changing Effects, Specific Colors
Protection Factor IP20
Operating Ambient Temperature 32°F / +113°F (0°C / +45°C)

CERTIFICATION

Listings CE, RoHS

ACCESSORIES

5-10v AC/DC Power Supply



ArcControl DU™

ArcControl™ DU brings the dimmer switch into the 21st century. The simple glass touch interface is backed by world leading lighting control software which allows creative programming for all types of applications. Multi-room control with 500 scenes and 10 zones the user to precisely control dramatic scenes. Programmable via PC/Mac and connected directly via micro USB/Ethernet, the ArcControl™ DU allows the user complete flexibility. The sleek glass touch interface is both aesthetically pleasing as well as intuitive and easy to use. Via DMX, ArcControl™ DU is ready to connect to all Anolis systems, keeping the user in complete control. Applications include Architectural, Retail, Domestic, Leisure and Entertainment.



TECHNICAL SPECIFICATIONS:

ELECTRICAL

Input Voltage 6V DC 0.6A

CONTROL

Interface Protocol DMX512 (x2)
Display Graphical Color Display, Touch Sensitive Buttons

PHYSICAL

Width x Height x Depth
inch: 5.75 x 4.17 x 0.39
mm: 146 x 106 x 10mm
Weight
lbs: 0.55
kg: 0.247

SPECIFICATION

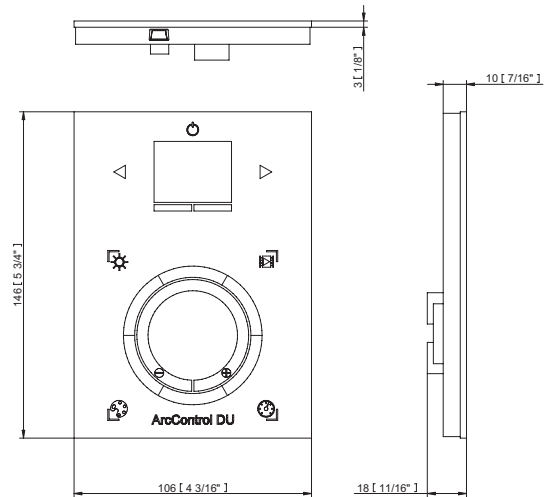
PC Requirement Windows, Mac
Software On USB
Memory MicroSD Card
Face Colour Black, White
Mounting Wall Mount
Connections 8 Dry Contact Ports, Micro USB, Ethernet, RS232, Clock
DMX Channels 1024 Max.
Built-In Programs Up To 500 Scenes, 10 Zones
Compatibility Compatible With Any DMX Fixture or DMX Led Driver
Effect Color Changing Effects, Specific Colors, Clock And Calendar
Protection Factor IP20
Operating Ambient Temperature 32°F / +113°F (0°C / +45°C)

CERTIFICATION

Listings ETL / cETL, CE, RoHS

ACCESSORIES

6v AC/DC Power Supply



ArcControl™ 1

The ArcControl™ 1 is a standard wall mounted playback 512 DMX controller. The compact component size of the electronic heart of the ArcControl™ 1 means it can be mounted to any standard back box UK/European or USA. LED back-lit front panel with 12 buttons offers adaptable 7 colours colour mixing, dimmer control, and together with 2 built-in programs it provides an easy and convenient controlling option for architectural and small venue installations. Ideal for multipoint controlling environments such as hotel rooms, hallways or stairways.



TECHNICAL SPECIFICATIONS:

ELECTRICAL

Input Voltage
Power Supply

12V DC 15mA (From ArcPower Drivers)
ArcPower Range (Except Rackmount 384)

CONTROL

Interface Protocol
Control
Pre-Set Colours

USITT, DMX 512, Dynet
12 Buttons
7 - Red, Green, Blue, Cyan, Magenta, Yellow, White
Light Intensity Control

PHYSICAL

Width x Height x Depth
Weight

Inches: 3.17 x 3.17 x 0.72
mm: 80.5 x 80.5 x 18.4
lbs: 0.44
kg: 0.2

SPECIFICATION

Power Connection
DMX Connection
Built In Programs
Mounting

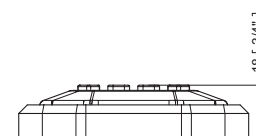
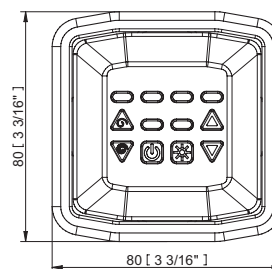
Self Locking Terminals
Self Locking Terminals
2
KU 68 Universal Box

CERTIFICATION

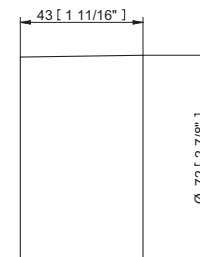
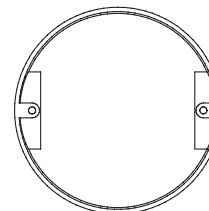
Listings

CE, RoHS

DIMENSIONS mm [in]:



Universal Box KU 68





Sandton City Extension - Johannesburg, South Africa

Accessories

Divine 160 RGBW



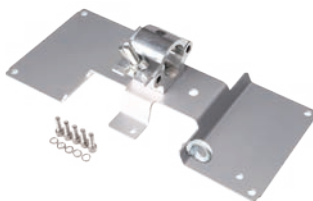
10980357
Top Hat Divine 160 silver



10980358
Half Top Hat Divine 160 silver



10980359
Wire Guard/Anti-Glare Divine 160 silver



10980363
C-Clamp Adaptor Divine silver



10980378
Barn door Module for Divine 160, silver



10980371
Set of Rubber Feet silver

Divine 60 UV



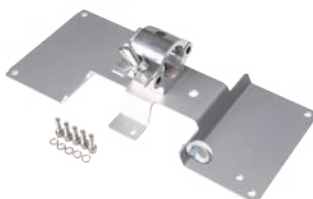
10980360
Top Hat Divine 60 UV silver



10980361
Half Top Hat Divine 60 UV silver



10980362
Wire Guard/Anti-Glare Divine 60 UV silver



10980363
C-Clamp Adaptor Divine silver



10980371
Set of Rubber Feet silver



10980344
Adaptor incl. Black Glass for Divine UV, silver

Accessories

ArcPad Xtreme:



1098 0081
Barn Door Module for ArcPad Xtreme
(2 pcs in 1 box)



1098 0087
Top Hat ArcPad Xtreme silver
(2 pcs in 1 box)



1098 0088
Half Top Hat ArcPad Xtreme silver
(2 pcs in 1 box)

ArcPad 94 Integral:



1098 0097
Barn Door Module for ArcPad 94 Integral

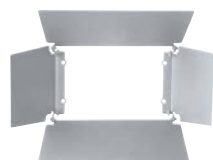


1098 0098
Top Hat Module for ArcPad 94 Integral



1098 0099
Half Top Hat Module for ArcPad 94 Integral

ArcSource 96 Integral:



1098 0094
Barn Door Module for ArcSource 96



1098 0079
Top Hat ArcSource 96 silver



1098 0080
Half Top Hat ArcSource 96 silver



1098 0070
Mounting plate ArcSource 96 Integral silver

ArcPad 48 / Integral:



1098 0090
Barn Door Module for ArcPad 48



1098 0139
Top Hat ArcPad 48 /Integral



1098 0140
Half Top Hat ArcPad 48 /Integral

Accessories

ArcSource Outdoor 16MC / Integral / Pixel - ArcSource Outdoor 24MC / Integral:



1098 0290
Top Hat ArcSource Outdoor 16MC



1098 0291
Half Top Hat ArcSource Outdoor 16MC



1098 0279
Floor Stand ArcSource Outdoor 16MC



1098 0171
Top Hat ArcSource Outdoor 24MC



1098 0172
Half Top Hat ArcSource Outdoor 24MC



1098 0175
Floor Stand ArcSource Outdoor 24MC



1098 0333
Land Spike for ASD 16/24MC



1098 0329
Tenon Adaptor for ASD 16/24MC, 64-80 mm



1098 0330
Tenon Adaptor for ASD 16/24MC, 80-106 mm



1098 0325
Pole Clamp for ASD 16/24MC, 63-80 mm



1098 0326
Pole Clamp for ASD 16/24MC, 80-105 mm

Accessories

ArcSource Outdoor 48MC / Integral:



1098 0173
Top Hat ArcSource Outdoor 48MC



1098 0174
Half Top Hat ArcSource Outdoor 48MC



1098 0176
Floor Stand ArcSource Outdoor 48MC

ArcPad Zoom 48MC:



1098 0235
Floor Stand ArcPad Zoom 48MC



1098 0274
Top Hat ArcPad Zoom 48MC



10980278
Half Top Hat ArcPad Zoom 48MC

ArcSource Outdoor 4MC, ArcSource Out 4MC Pixel:

1098 0180 Land Spike 1 ASD 4MC 500mm

1098 0181 Land Spike 2 ASD 4MC 500mm

1098 0183 Land Spike 3 ASD 4MC 500mm

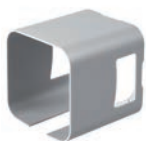
1098 0178 Land Spike 1 ASD 4MC 100mm

1098 0179 Land Spike 2 ASD 4MC 100mm



Accessories

ArcSource Outdoor 4MC, ArcSource Out 4MC Pixel:



1098 0273 Top Hat
ArcSource Outdoor 4MC



1098 0253 Half Top Hat
ArcSource Outdoor 4MC



1098 0267 Pipe Clamp
for ArcSource Outdoor 4MC, fits 1/2 inch pipe



1098 0294 Floor Stand
for Land Spike (flat stand only)



1098 0258 Adaptor Stand 10 cm
for ASD 4MC



1098 0410 Twin Wall Cover
for ASD 4 MC, flat

Ambiane RGBW, Ambiane TW, TD, PW



10980386
Anti-Glare Ring Ambiane



10980387
Diffuser IP54 Ambiane



10980388
Adaptor Ring 230-255mm Ambiane

ArcSource Out 4MC Pixel, ArcDot, ArcDot Flash:



1305 1562 Connector
CGRBB-03BMMA-SL8001 (Male)



1305 1563 Connector
CGRBB-03BFFA-SL8001 (Female)



1305 1564 Connector
T- CGRBA (3-pin)



1006 2330
Terminator Active for ArcDot

Accessories

ArcDot, ArcDot Flash:



1006 2331
Terminator Passive for ArcDot

- 1305 2264** Cable Connection ArcDot 1m
- 1305 2179** Cable Connection ArcDot 5m
- 1305 2105** Cable Connection ArcDot 10m
- ...other lengths on request



ArcSource 1MC, ArcSource Outdoor 4MC, 24MC, 48MC, ArcLine Outdoor /Optic, ArcLine Mini:

- 1305 1966** Extension cable CGR8-F/RJ45, L0,25m
- 1305 1630** Extension cable CGR8-F/RJ45, L3m
- 1305 1631** Extension cable CGR8-F/RJ45, L7m
- 1305 1682** Extension cable CGR8-F/RJ45, L15m
- 1305 1829** Extension cable CGR8-F/RJ45, L20m
- ...other lengths on request



- 1305 2187** Extension cable CGR8 F/M, L1m
- 1305 1630** Extension cable CGR8 F/M, L3m
- 1305 2084** Extension cable CGR8 F/M, L7m
- 1305 2059** Extension cable CGR8 F/M, L10m
- 1305 2156** Extension cable CGR8 F/M, L20m
- ...other lengths on request



1305 1601
Connector CGRBDU-08BFFA-SL8001



1305 1602
Connector CGRBDU-08BMMA-SL8001



1305 1938
T-Connector Chogori, 8-pin, Screw



1305 1950
Connector Waterproof cap (fits 1305 1601)



1305 2451
Connector Waterproof cap (fits 1305 1602)

ArcLine Indoor, ArcSource 4MC, ArcSource 12:



1305 0690
Cable splitter 1 to 2, RJ45 (serial conn.)



1305 0691
Cable joint 1-1, RJ45

Accessories

ArcPar S1, ArcPar SB1:



1098 0243
Optional Diffuser 40°
for ArcPar S1, SB1



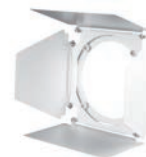
1098 0244
Optional Diffuser 50°
for ArcPar S1, SB1



1098 0245
Optional Diffuser 62°x46°
for ArcPar S1, SB1



1098 0246
Optional Diffuser 70°x48°
for ArcPar S1, SB1



1098 0206 Barn door
for ArcPar S1, SB1 (white)
aperture 157x157mm

ArcPar S1:



1098 0222
Wireless CRMX white



1305 1724
Mains Cable PowerCon
In/Schuko, 2m



1305 1725
Mains Cable PowerCon
In/CEE 16A, 2m



1305 1726
Mains Cable PowerCon
In/CEE, 2m



1305 1731
Mains Cable PowerCon
In/open ended, 2m

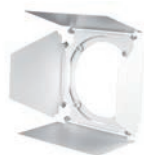


1305 1727
Daisy Chain PowerCon
In/Out EU, 2m



1305 1728
Daisy Chain PowerCon
In/Out US, 2m

ArcPar 100:



1098 0206
Barn door for ArcPar 100
(white)



1098 0205
Accessory frame
adaptor for ArcPar 100
(white)



1098 0207
Gel Frame for ArcPar
100 (white)



1098 0222
ROBE Wireless CRMX
white

Accessories

ArcPar 100:



1098 0217
Diffuser 10° for ArcPar 100 (white)

1098 0218
Diffuser 10° for ArcPar 100 6 pcs (white)



1098 0213
Diffuser 20° for ArcPar 100 (white)

1098 0214
Diffuser 20° for ArcPar 100 6 pcs (white)



1098 0215
Diffuser 40° for ArcPar 100 (white)

1098 0216
Diffuser 40° for ArcPar 100 6 pcs (white)

ArcPix:



1006 2551 Termination Box ArcPix



1006 2550 Connection Box ArcPix

ArcCove:



1305 1982 Cable patch
ArcCove 10cm



1305 2029 Cable patch ArcCove 30cm
...other lengths on request

ArcLink 3 /Optic, ArcLink 4 /Optic:



1305 0860
Connector RJ45 / Termination plug
ArcLink 3, grey



1305 0983
Connector RJ45 / Termination plug
ArcLink 4, black



1305 1116 Cable patch/10cm - ArcLink
1305 1139 Cable patch/20cm - ArcLink
1305 1140 Cable patch/30cm - ArcLink

ArLine Outdoor / Optic / Double Outdoor:



1098 0202
Shield for ArLine Outdoor 1200mm



1098 0231
Shield for ArLine Outdoor 800mm



1098 0232
Shield for ArLine Outdoor 600mm

Anolis - Summary sheet of ArcPower™

Type		Maximum output current per one channel	Maximum load-total	Zones	Maximum load-per zone	Control	Maximum cable length
ArcPower	36	350mA	36LEDs/RGB 42LEDs/RGBW 10 multichips RGBW	1	36LEDs/RGB 42LEDs/RGBW 10 multichips RGBW	DMX 512 / DyNet / RS232	80m
	72	350mA	72LEDs/RGB 84LEDs/RGBW 20 multichips RGBW	2	36LEDs/RGB 42LEDs/RGBW 10 multichips RGBW	DMX 512 / DyNet / RS232	80m
	144	350mA	144LEDs/RGB 168LEDs/RGBW 40 multichips RGBW	4	36LEDs/RGB 42LEDs/RGBW 10 multichips RGBW	DMX 512 / DyNet / RS232	80m
	360	350mA	360LEDs/RGB 420LEDs/RGBW 100 multichips RGBW	10	36LEDs/RGB 42LEDs/RGBW 10 multichips RGBW	DMX 512 / DyNet / RS232	80m
ArcPower SmartWhite	36	350mA	36LEDs/white 10 multichips white	1	36LED's/white 10 multichips white	DMX 512 / DyNet / RS232	80m
	72	350mA	72LEDs/white 20 multichips white	2	36LED's/white 10 multichips white	DMX 512 / DyNet / RS232	80m
	144	350mA	144LEDs/white 40 multichips white	4	36LED's/white 10 multichips white	DMX 512 / DyNet / RS232	80m
	360	350mA	360LEDs/white 100 multichips white	10	36LED's/white 10 multichips white	DMX 512 / DyNet / RS232	80m
ArcPower Rack Unit		350mA	288LED's/RGB 384LED's/RGBW	8	36LED's/RGB 48LED's/RGBW	DMX 512-RDM (remote device management) / DyNet / ArtNet / RS232	80m
		700mA	288LED's ^{3W} /RGB 384LED's ^{3W} /RGBW	8	36LED's ^{3W} /RGB 48LED's ^{3W} /RGBW		20m
ArcPower 24 Outdoor		350mA	24LEDs (max 6LEDs per colour) 6 multichips RGBW	1	24LEDs (max 6LEDs per colour) 6 multichips RGBW	DMX 512	80m
		700mA	24LEDs ^{3W} (max 6LEDs per colour) 6 multichips RGBW	1	24LEDs ^{3W} (max 6LEDs per colour) 6 multichips RGBW	DMX 512	20m
ArcPower 48 Outdoor		350mA	48LEDs (max 12LEDs per colour) 12 multichips RGBW	1	48LEDs (max 12LEDs per colour) 12 multichips RGBW	DMX 512	80m
		700mA	48LEDs ^{3W} (max 12LEDs per colour) 12 multichips RGBW	12	48LEDs ^{3W} (max 12LEDs per colour) 12 multichips RGBW	DMX 512	20m
ArcPower 192 Outdoor		350mA	192LEDs (max 12LEDs per colour) 48 multichips RGBW	4	48LEDs (max 12LEDs per colour) 12 multichips RGBW	DMX 512	80m
		700mA	192LEDs ^{3W} (max 12LEDs per colour) 48 multichips RGBW	4	48LEDs ^{3W} (max 12LEDs per colour) 12 multichips RGBW	DMX 512	20m
ArcPower 24MC (24V) (for ArcSource 24MC Submersible only)		350mA	6 multichips RGBW	1	6 multichips RGBW	DMX 512	100m
		700mA	6 multichips RGBW	1	6 multichips RGBW	DMX 512	50m

All information subject to change without notice. [*] ETL listing is pending. Fixture currently at US listing laboratory.



ANOLIS is an architectural division of ROBE

HQ: Anolis, Hážovice 2090, 756 61 Rožnov pod Radhoštěm, Czech Republic

Factory: Anolis, Palackého 416, 757 01 Valašské Meziříčí, Czech Republic, Tel: +420 571 751 500, Fax: +420 571 626 337, E-mail: info@anolis.eu

North America: Anolis Lighting, 12349 SW 53rd Street, Suite 202, Cooper City, Florida 33330, USA, Tel.: 1-844-426-6547, Email: info@anolislighting.com

UK: Anolis UK, 3 Spinney View, Stone Circle Road, Round Spinney Industrial Estate, NN3 8RF, Northampton, United Kingdom, Tel.: 01604 741000, Email: info@anolis.co.uk

France: Anolis France | ZI Paris Nord 2 | Bâtiment Euler | 33, rue des Vanesses | 93420 Villepinte | Tel.: +33 1 48 63 84 81 | Fax: +33 1 48 63 84 87 | E-mail: info@robelightning.fr

Germany: Anolis Germany, Carl-Zeiss-Ring 2185737, Ismaning, Germany, Tel.: +49 89 9993 9090, Fax: +49 89 9993 9091, E-mail: info@robelightning.de

Asia and Pacific: Anolis Asia Pacific, 12 New Industrial Road, #02-05 Morningstar Centre, S-536202, Singapore, Tel.: +65 6280 8558, Email: asiapacific@anolis.eu

Middle East: Anolis Middle East, Al Asmawi Building DIP, Office Nbr 507 5th floor, Po Box: 391 898, Dubai, UAE, Tel.: +971 4 885 3223, Email: middleeast@anolis.eu

April 2018

anolislighting.com