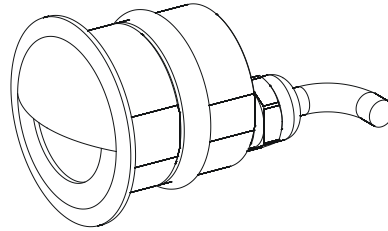


User instructions

ArcSource 1 MC Short Shield

The module generate colored light by means of WW or CW LED multichip. The product was designed for exterior use and it is ideal for locations where signaling, directional or effect lighting is required.



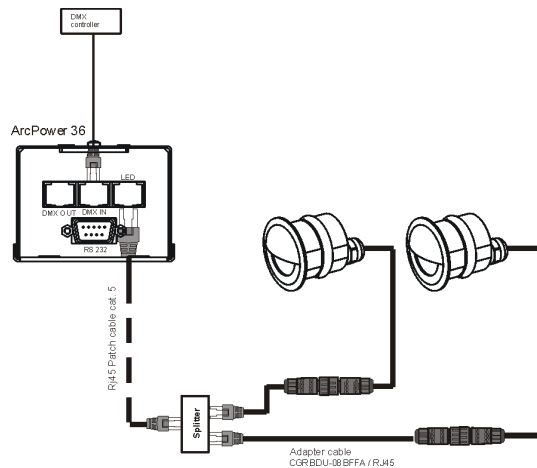
1. Attention

Consider the respective national norms during the installation!

- Do not install the unit near naked flames
- Avoid using the unit in locations subject to possible impacts
- Do not attempt to dismantle or modify the unit

2. Installation

The ArcSource unit should be connected to the ArcPower drivers. See the ArcPower 36/ 72/144/360/16x6 and ArcPower 384 Rack Mount user manuals for full details of mains power requirements and DMX operation. Note: for single colour and SmartWhite variants use SW versions of ArcPower drivers stated above.

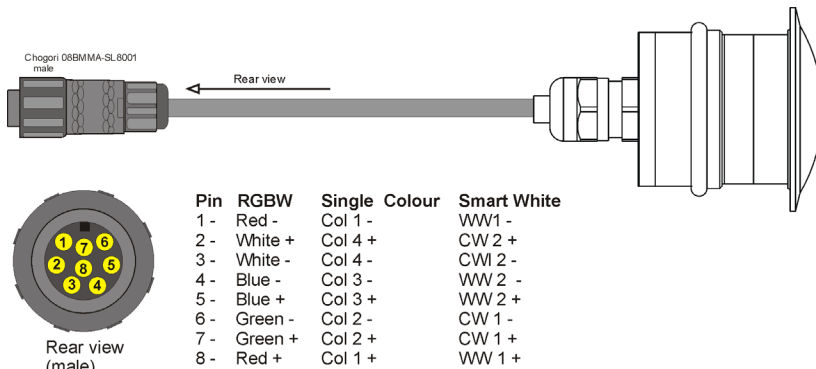


Avoid looking directly into the LED light beam at close range!

Connect the ArcSource 1 MC Short Shield to the driver via the adapter cable Chogori/RJ45 and use suitable cable joint box (weather-tight for outdoor installation) if the cable has to be extended. Use a cable splitter if more than one LED module has to be connected to the one LED output of the driver, the connection between the ArcPower 36 and the splitter is RJ45 patch cable category 5 wired 1:1.

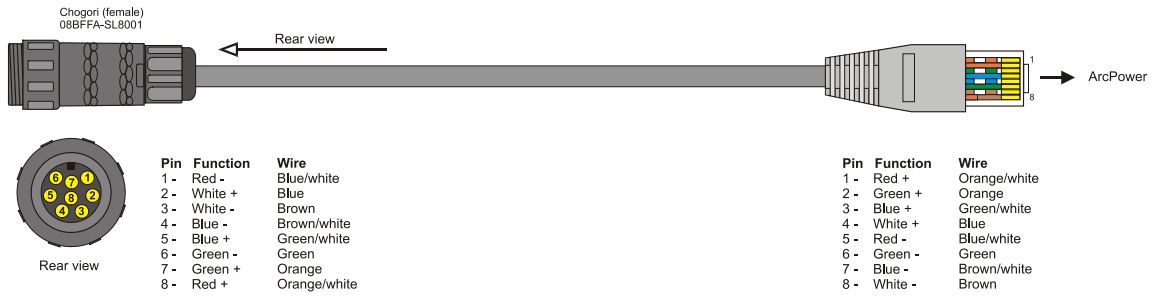
3. Connection

ArcSource 1 MC Short Shield



Note: some colour versions (RGBW, SC, SW) may be unavailable.

Adapter cable Chogori/ RJ45 between fixture and LED driver, for indoor use only



Maximum possible number of LED modules connected to the one LED output of the ArcPower driver is mentioned in the table:

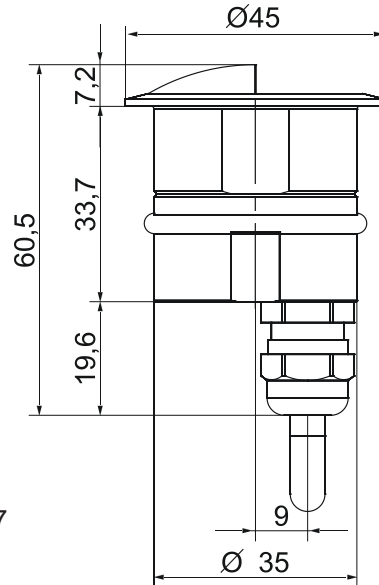
LED module	LED multichips	Max.number of connected modules	Compatible LED drivers
ArcSource 1 MC Short Shield	1	10	ArcPower 36/72/144/360
ArcSource 1 MC Short Shield	1	2	ArcPower 16x6
ArcSource 1 MC Short Shield	1	12	ArcPower 384 Rack Mount

4. Technical specifications

- Max. power consumption: 4.4W
- Max input current per colour: 350 mA
- Recommended power supplies (RGBW variant): ArcPower 36/ 72/ 144/ 360/16x6/ 384 Rack Mount,
- Recommended power supplies (SW or SC variant): ArcPower 36 SW/ 72 SW /144 SW
- Operating ambient temp.range: -20°C/+40°C
- Cooling : convection
- LED device: Cree MC-E multichip
- Typical Lumen maintenance: 70%@ 60,000 hours
- Led life expectancy: minimum 60,000 hours
- Available beam angles: 27°, 35°
- Transparent cover: 6 mm clear flat tempered glass
- Construction: stainless steel top flange
brass housing
- Weight: 0.2 kg
- Power /data plug: Chogori 08BMMA-SL8001
- Power /data cable: Flamar LiYY 8xAWG22 UL Style 2517/CSA O.D. 6,70mm (0.5 m length)
- Protection factor: IP 68
- IK rating: IK 10

5. Dimensions

(All dimensions are in mm)



5. Accessories

- 1 x Splitter (No. 13050690)
- 1 x Connector Chogori CGRBDU-08BFFA (female), IP67

6. Optional Accessories

- Adapter cable CGRBDU-08BFFA/RJ4 RJ45, L=3m (P/N 13051630), for indoor use only
- Adapter cable CGRBDU-08BFFA/RJ4 RJ45, L=7m (P/N 13051631), for indoor use only
- Adapter cable CGRBDU-08BFFA/RJ4 RJ45, L=15m (P/N 13051682), for indoor use only
- T-connector Chogori 8-pin (P/N 13051938, IP67)

Specifications are subject to change without notice.

Version 1.2 CE

July 26, 2018