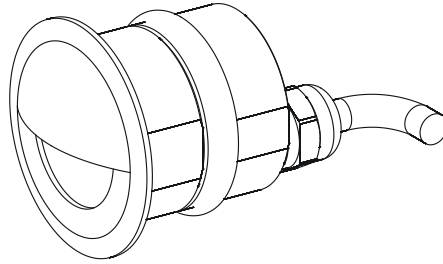


User instructions

ArcSource 1 MC Short Shield

The module generate colored light by means of WW (CW) LED multichip. The product was designed for exterior use and it is ideal for locations where signaling, directional or effect lighting is required.



1. Attention

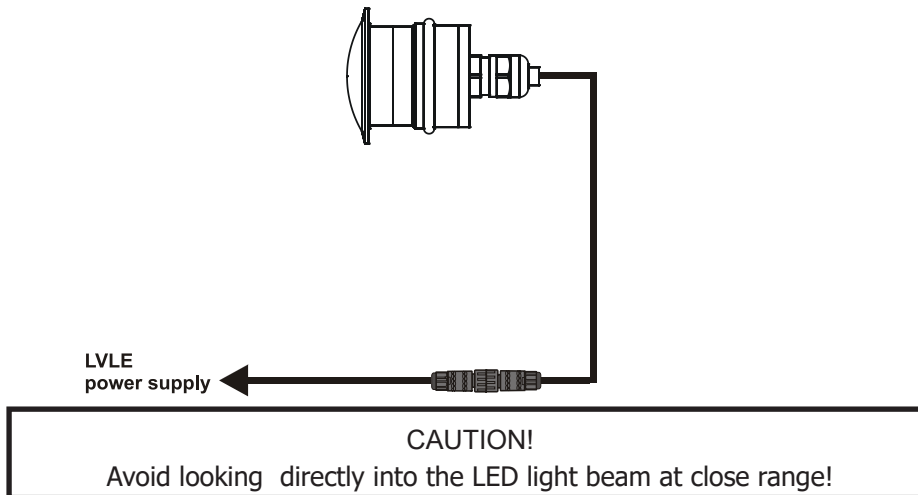
Consider the respective national norms during the installation!

- Do not install the unit near naked flames
- Avoid using the unit in locations subject to possible impacts
- Do not attempt to dismantle or modify the unit

2. Installation

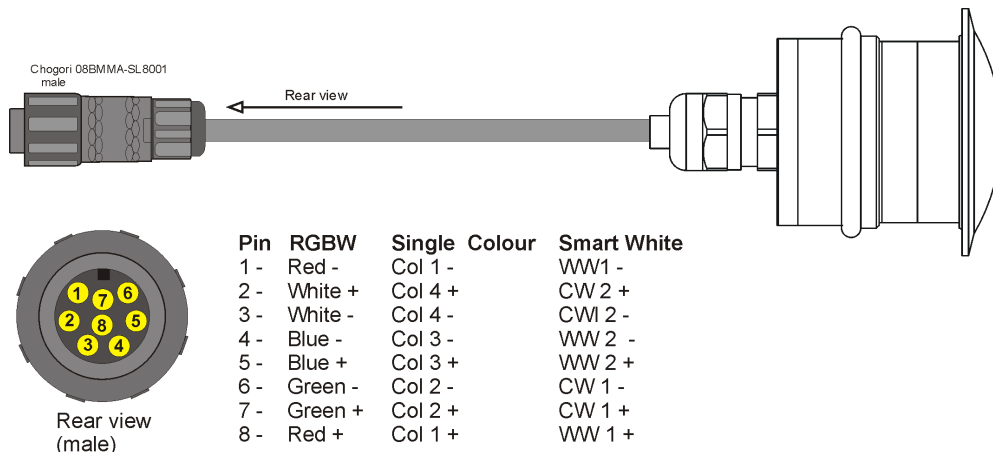
The ArcSource unit has to be connected to the power source of type of LVLE according to the specifications stated in the chapter "Technical specifications".

ArcSource 1 MC Short Shield



3. Connection

ArcSource 1 MC Short Shield



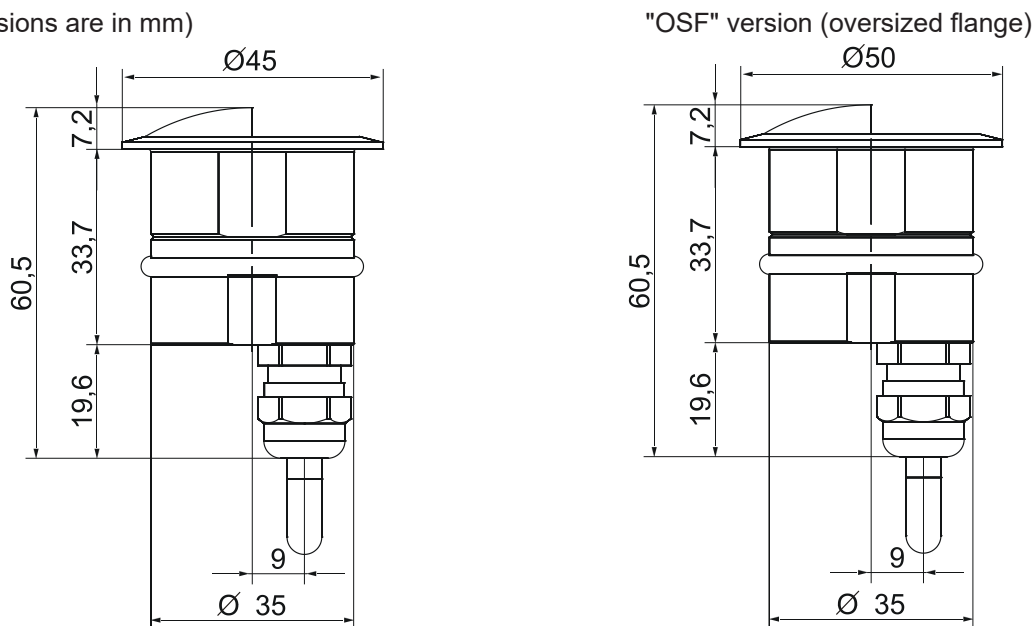
Note: some colour versions (RGBW, SC, SW) may be unavailable.

4. Technical specifications

Max. power consumption:	4.4W
Max input current per colour:	350 mA
Max. input voltage:	48V
Operating ambient temp.range:	-20°C/+40°C
Cooling :	convection
LED device:	Cree MC-E WW or CW multichip
Typical Lumen maintenance:	70%@ 60,000 hours
Led life expectancy:	minimum 60,000 hours
Available beam angles:	27°, 35°
Construction:	stainless steel top flange brass housing
Weight:	0.2 kg
Protection factor:	Suitable for wet location
IK rating:	IK 10
Power /data plug:	Chogori 08BMMA-SL8001
Power /data cable	Flamar LiYY 8xAWG22 UL Style 2517/CSA O.D. 6,70mm (0.5 m length)

5. Dimensions

(All dimensions are in mm)



6. Accessories

- 1 x Splitter (P/N 13050690)
- 1 x Connector Chogori CGRBDU-08BFFA (female), IP 67

7. Optional Accessories

- Adapter cable CGRBDU-08BFFA/RJ4 RJ45, L=3m (P/N 13051630), for indoor use only
- Adapter cable CGRBDU-08BFFA/RJ4 RJ45, L=7m (P/N 13051631), for indoor use only
- Adapter cable CGRBDU-08BFFA/RJ4 RJ45, L=15m (P/N 13051682), for indoor use only
- T-connector Chogori 8-pin (P/N 13051938), IP 67

Specifications are subject to change without notice.

Version 1.4 US

July 26, 2018