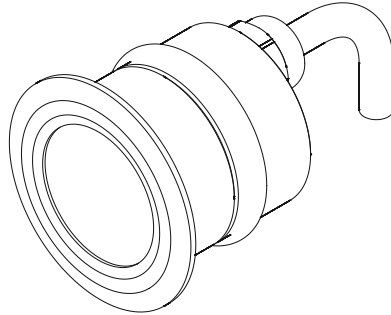


# User instructions

## ArcSource 1 MC Short

The module generate colored light by means of RGBW LED multichip. The product was designed for exterior use and it is ideal for locations where signaling, directional or effect lighting is required.



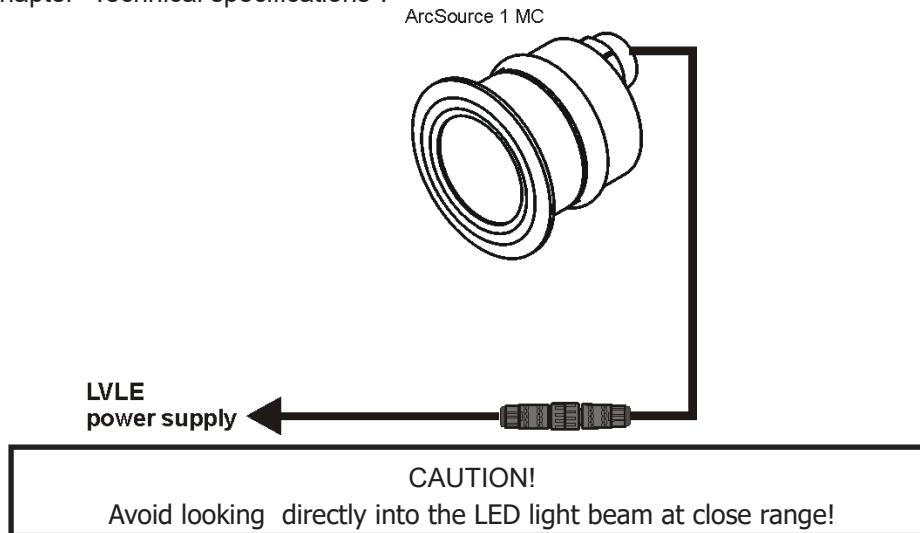
### 1. Attention

**Consider the respective national norms during the installation!**

- Do not install the unit near naked flames
- Avoid using the unit in locations subject to possible impacts
- Do not attempt to dismantle or modify the unit

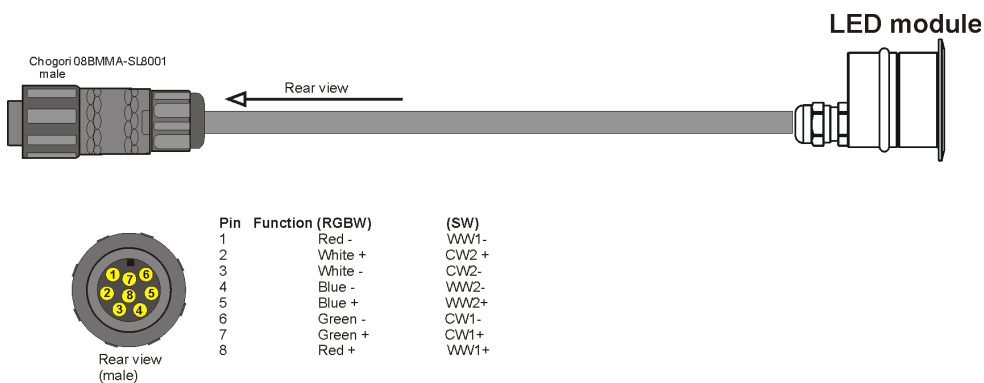
### 2. Installation

The ArcSource unit has to be connected to the power source of type of LVLE according to the specifications stated in the chapter "Technical specifications".

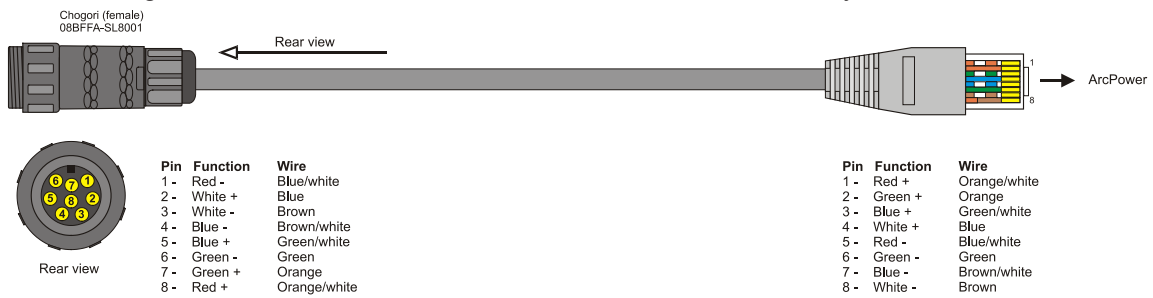


### 3. Connection

ArcSource 1 MC Short



## Adapter cable Chogori/ RJ45 between fixture and LED driver, for indoor use only

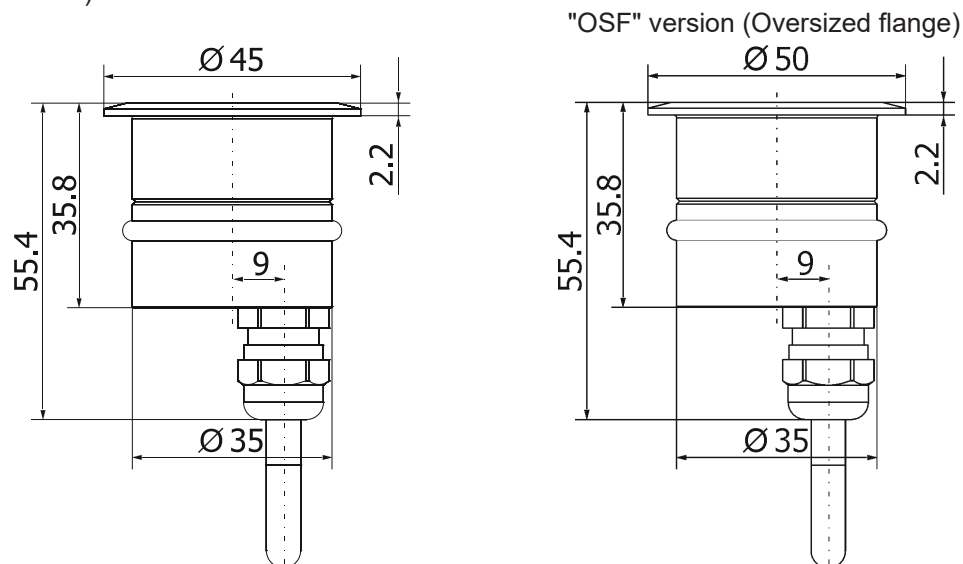


### 4. Technical specifications

Max. power consumption:	4.4W
Max input current per colour:	350 mA
Max. input voltage:	48V
Operating ambient temp.range:	-20°C/+40°C
Cooling :	convection
LED device:	Cree MC-E RGBW multichip
Typical Lumen maintenance:	70%@ 60,000 hours
Led life expectancy:	minimum 60,000 hours
Available beam angles:	27°, 35°
Transparent cover:	6 mm clear flat tempered glass (24°beam angle)
Construction:	stainless steel top flange brass housing
Weight:	0.2 kg
IK rating:	IK 07
Protection factor:	Suitable for wet location
Power /data plug:	Chogori 08BMMA-SL8001
Power /data cable	Flamar LiYY 8xAWG22 UL Style 2517/CSA O.D. 6,70mm (0.5 m length)

### 5. Dimensions

(All dimensions are in mm)



### 6. Accessories

- 1 x Splitter (No. 13050690)
- 1 x Connector Chogori CGRBDU-08BFFA (female), IP 67

### 7. Optional Accessories

- Adapter cable CGRBDU-08BFFA/RJ4 RJ45, L=3m (P/N. 13051630), for indoor use only
- Adapter cable CGRBDU-08BFFA/RJ4 RJ45, L=7m (P/N. 13051631) for indoor use only
- Adapter cable CGRBDU-08BFFA/RJ4 RJ45, L=15m (P/N 13051682) for indoor use only
- T-connector Chogori 8-pin (P/N. 13051938), IP=67

### 8. ArcSource 1 MC Short with spring clips

This version of the ArcSource 1 MC Short allows to place the ArcSource 1 MC Short into a hole in a flat surface (e.g. lower ceiling). The ArcSource unit is fixed in the right position by means of the two springs. Prepare the hole (37-40mm) in a lower ceiling, bend up both clips and pull the ArcSource unit through the hole.

