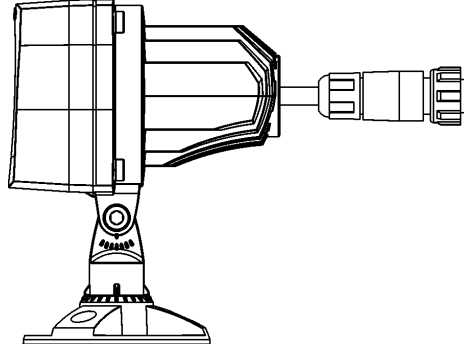


# User instructions

## ArcSource Outdoor 4 MC

The Anolis ArcSource Outdoor 4 MC is a Cree MC-E RGBW multichip based high powered multicolored LED fixture. The unit can be used for large scale applications, as well as used for individual illuminating needs.



### 1.Attention

**Consider the respective national norms during the installation!**

- Do not install the unit near naked flames.
- Avoid using the unit in locations subject to possible impacts.
- Do not attempt to dismantle or modify the unit.
- Do not install the module in badly ventilated location
- Avoid looking directly into the LED light beam at close range.

### 2.Installation

The ArcSource Outdoor 4 MC can be arranged in any position orientation. Three holes of diameter of 4.3mm in the ArcSource Outdoor's base serve for mounting on the non-flammable surface. The light head can be adjusted against the base in range of 120°.

**CAUTION!**  
Avoid looking directly into the LED light beam at close range!

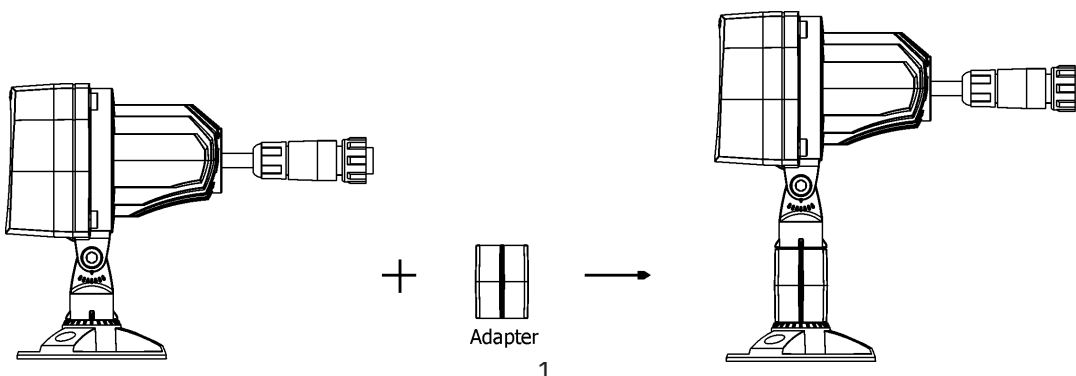
CE: The ArcSource Outdoor units should be connected to the ArcPower drivers stated in technical specifications. See their user manuals for full details of mains power requirements and DMX operation. Maximum possible number of LED modules connected to the one LED output of the ArcPower driver is mentioned in the table below.

Max.number of connected modules	ArcPower drivers
10	ArcPower 36/K2, ArcPower 72/K2,
12	ArcPower Rack Mount, DRS, ArcPower 48 Outdoor, ArcPower 192 Outdoor
6	ArcPower 24 outdoor

Use a cable splitter if more than one LED module has to be connected to the one LED output of the ArcPower driver, the connection cable between the ArcPower and the splitter is a standard RJ45 patch cable category 5 wired 1:1.

US: The ArcSource Outdoor unit has to be connected to the power source of type of LVLE according to the specifications stated in the chapter "Technical specifications".

The enclosed adapter stand (with M5x45 screw) allows to place the light head to the higher position:

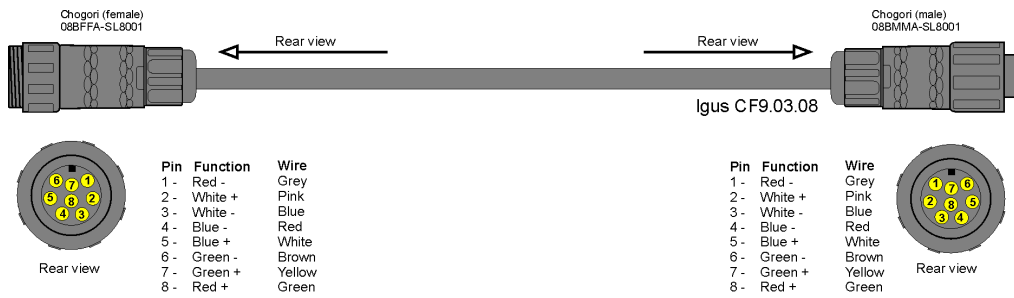


### 3. Connection

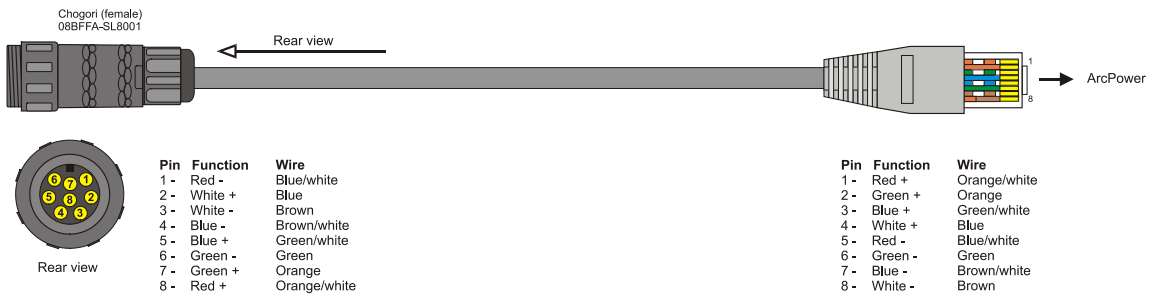
#### ArcSource Outdoor 4 MC



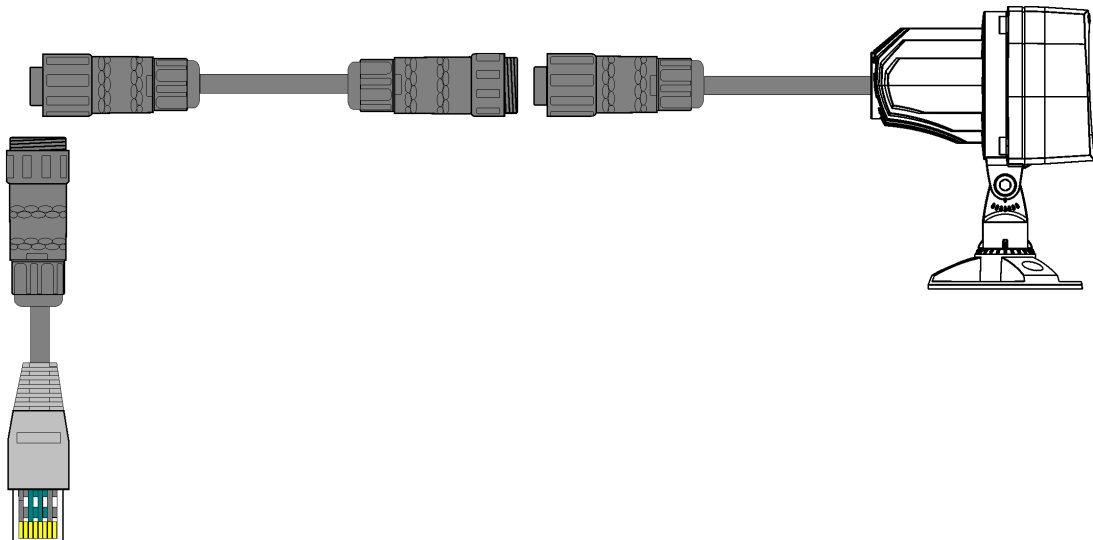
#### Adapter cable Chogori -Chogori ,(it is not a standard part of delivery)



#### Adapter cable Chogori -RJ45, for indoor use only (it is not a standard part of delivery)



#### Connection to the ArcPower driver



CE: ArcPower driver  
 US: Power source LVLE

#### 4. Technical specifications

LED Device:	Cree MC-E multichip
Available beam angles:	11°, 26°, 36°
Colour variants:	RGBW, RGBA, SW
Input voltage:	48V DC
Max. Current per Colour:	700 mA
Max. Power Consumption:	10 W @ 700 mA (6 W @ 350 mA)
Recommended Power Supplies (CE):	ArcPower 36/K2, ArcPower 72/K2, ArcPower Rack Unit ArcPower 24 Outdoor, ArcPower 48 Outdoor, ArcPower 192 Outdoor, DRS
Recommended Power Supplies (US):	power source LVLE type only
Typical Lumen Maintenance:	70% @ 50.000 hours
Led Life Expectancy:	minimum 50.000 hours
Cooling System:	convection
Operating Ambient Temp. Range:	-20°C/+45°C
Housing:	aluminium
Weight:	0.62 kg
Mounting:	via 3 holes in the base
Connection:	cable LiYY 8xAWG22 UL Style 2517/CSA O.D. 6,70mm, length=50 cm Chogori CGRBDU-08BMMA-SL8001 (connector, male) IP 67
Protection factor (CE):	IP 67
Protection factor (US):	Suitable for wet locations

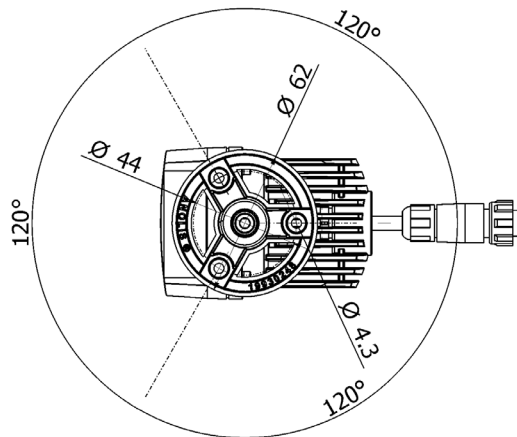
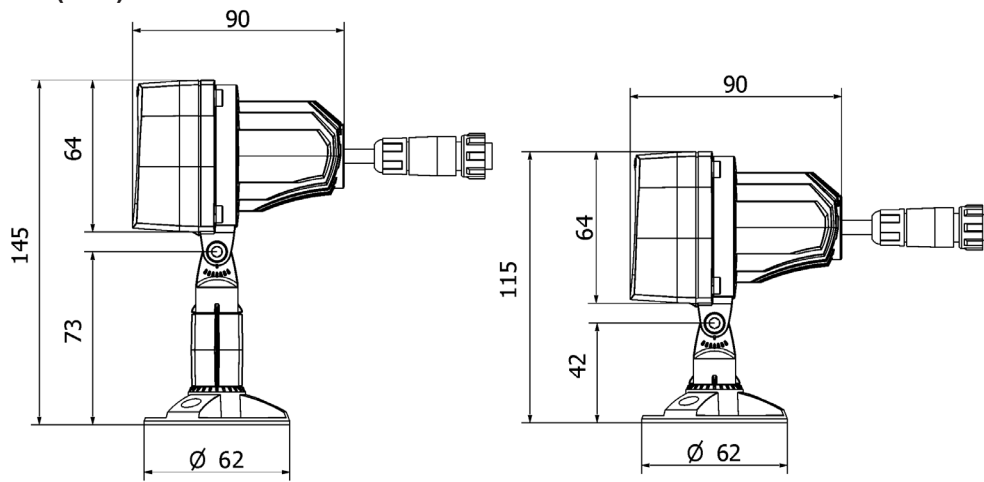
#### 5. Accessories

- 1x Connector Chogori CGRBDU-08BFFA-SL8001(female), IP=67
- 1x Adapter stand (P/N. 19730251)
- 1x Screw M5x45
- 1x Allen key 4
- 1x Splitter (P/N. 13050690)

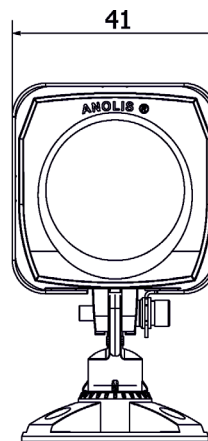
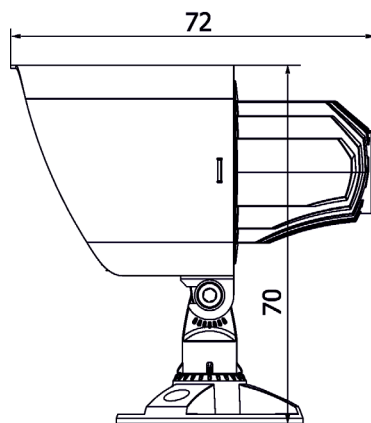
#### 6. Optional Accessories

- Adapter cable CGRBDU-08BFFA/ CGRBDU-08BMMA, L=3m (P/N 13051960), IP=67
- Adapter cable CGRBDU-08BFFA/RJ4 RJ45, L=0.25m (P/N 13051966), for indoor use only
- T-connector Chogori 8-pin (P/N 13051938), IP=67
- Land spike 1 ASO 4 MC 100mm (P/N 10980178)
- Land spike 2 ASO 4 MC 100mm (P/N 10980179)
- Land spike 1 ASO 4 MC 500mm (P/N 10980180)
- Land spike 2 ASO 4 MC 500mm (P/N 10980181)
- Land spike 3 ASO 4 MC 500mm (P/N 10980183)
- Top hat ArcSource Outdoor 4 MC (P/N 10980273)
- Half top hat ArcSource Outdoor 4 MC (P/N 10980253)

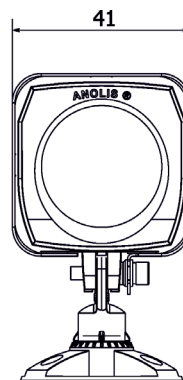
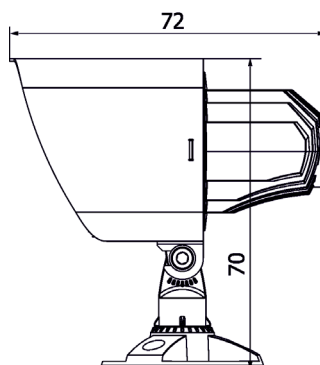
## 7. Dimensions (mm)



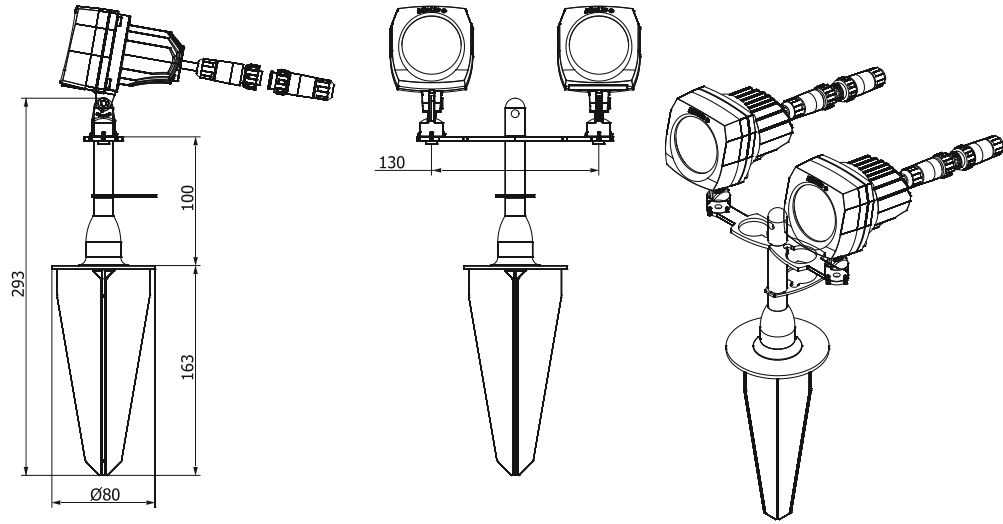
Fixture with half top hat



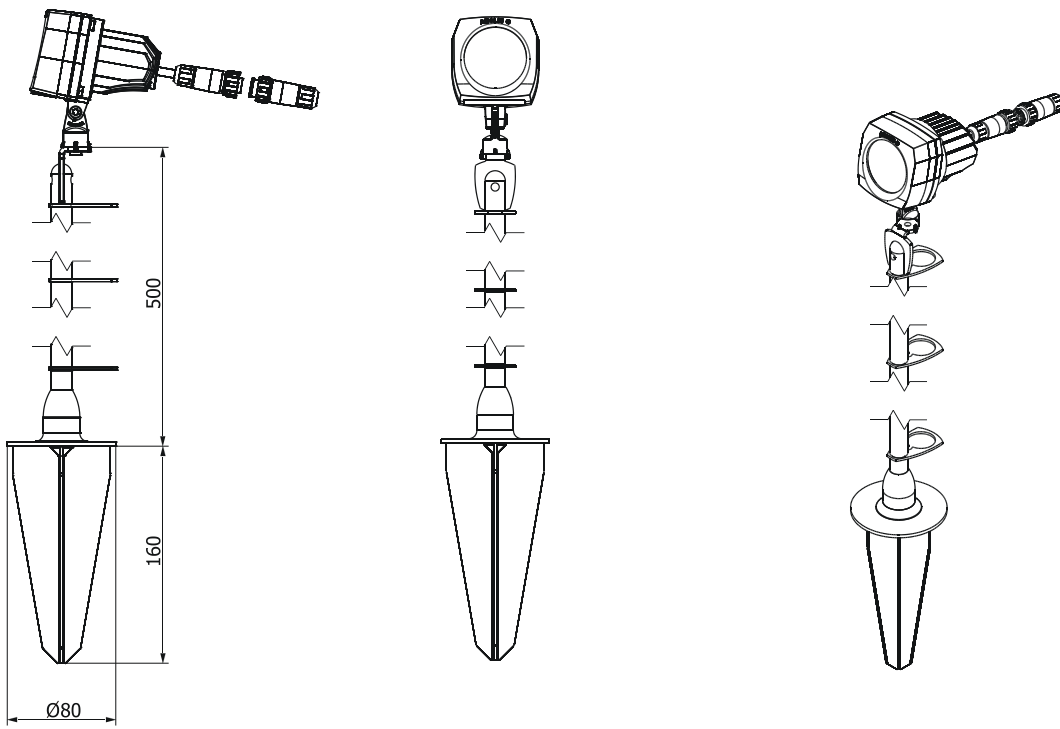
Fixture with top hat



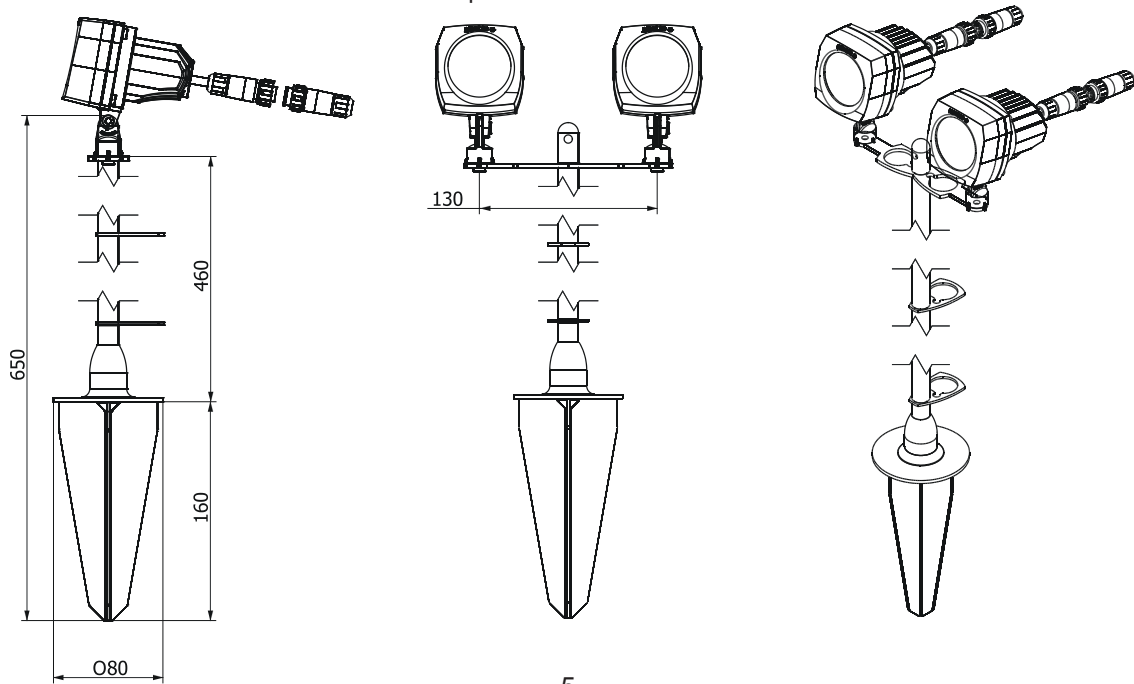
Land spike 2 ASO 4 MC 100mm



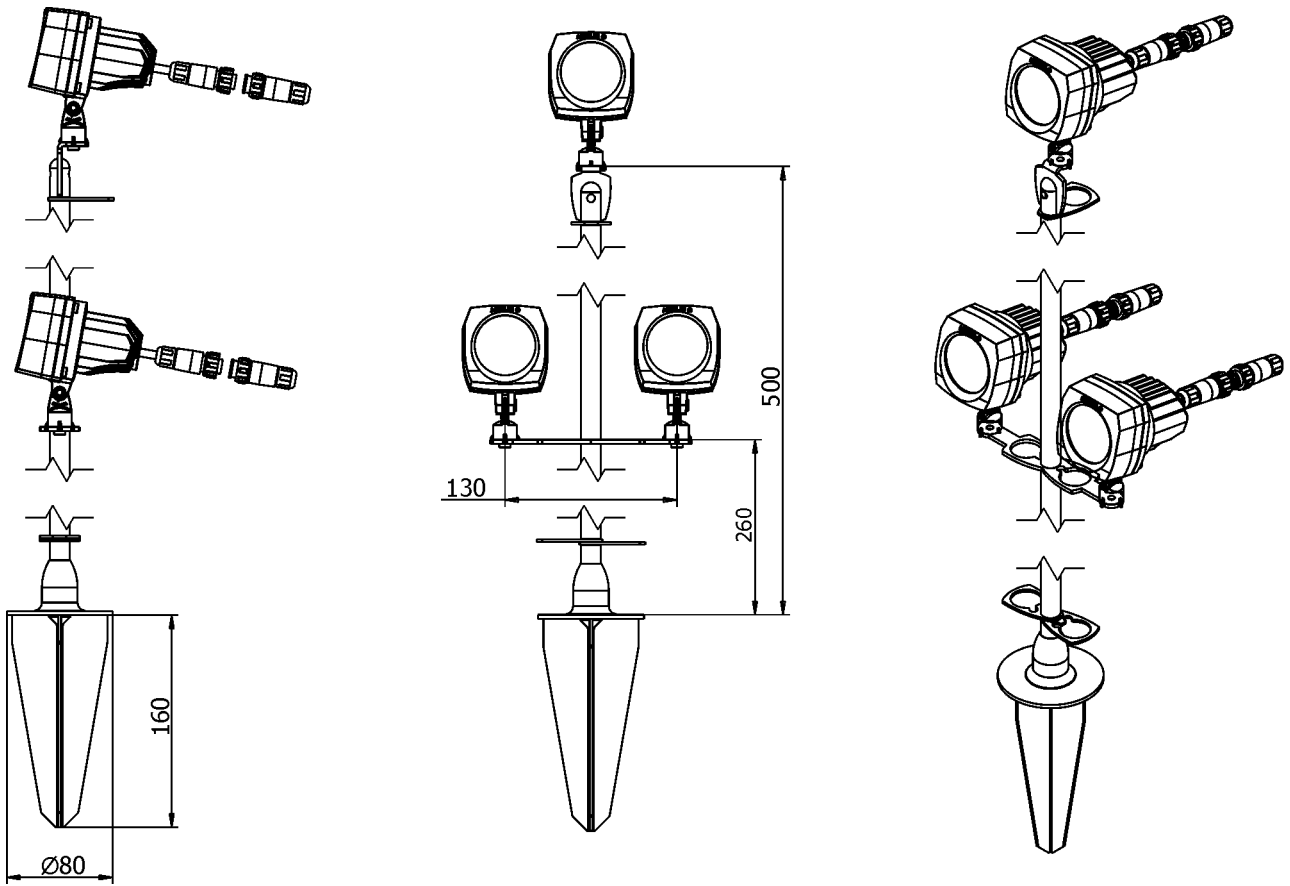
Land spike 1 ASO 4 MC 500mm



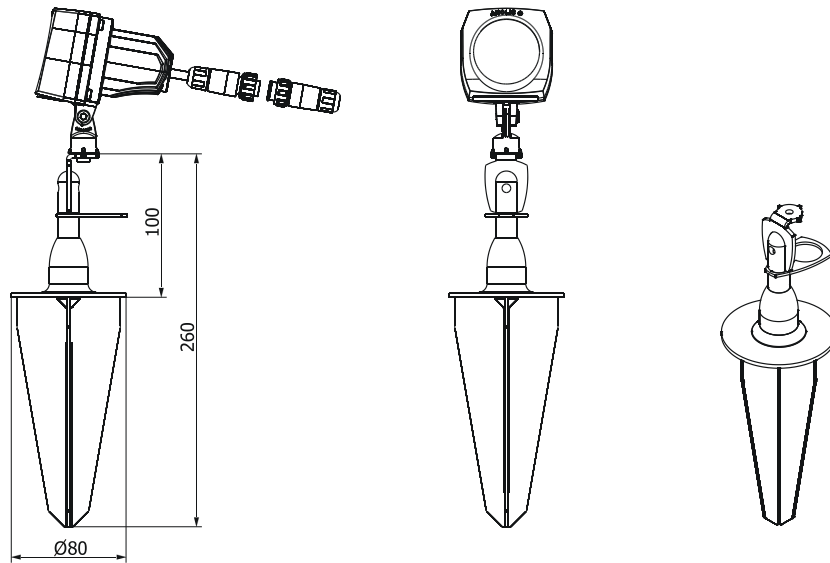
Land spike 2 ASO 4 MC 500mm



Land spike 3 ASO 4 MC 500mm



Land spike 1 ASO 4 MC 100mm



## 8. Installing the ArcSource Outdoor 4 MC onto a land spike

### Land spike 1 ASO 4 MC 100mm / Land spike 2 ASO 4 MC 100mm

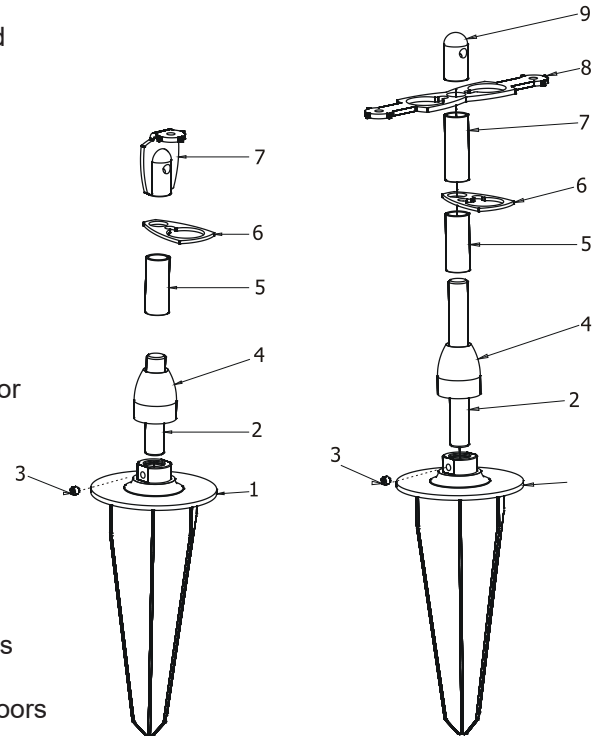
1. Hammer the sharp part (1) of the land spike into ground (hammer the centre of the sharp part, not the edge).
2. Screw the threaded bar (2) into the sharp part (1) and secure it with the socket head M5x5 (3).
3. Put the cover (4) on the threaded bar (2).
4. Put the pipe 36.5 mm (5) on the threaded bar (2).
5. Put the cable holder (6) on the threaded bar (2).

#### *Land spike 1 ASO 4 MC 100mm only.*

6. Screw the nut (7) on the threaded bar (2).
7. Screw the ArcSource Outdoor 4 MC on the nut (7). (Use the socket head M5x14 from the ArcSource Outdoor 4 MC to screw it to the nut (7)).
8. Pass the cable through the cable holder (6).

#### *Land spike 2 ASO 4 MC 100mm only.*

6. Put the pipe 42 mm (6) on the threaded bar (2).
7. Put the ArcSources holder (8) on the threaded bar (2).
8. Screw the nut (9) on the threaded bar (2).
9. Screw both ArcSource Outdoor 4 MC on the ArcSources holder (8). (Use the socket heads M5x14 from the ArcSource Outdoors 4 MC to screw them to the holder (8)).
10. Pass the cable through the cable holder (6).



### Land spike 1 ASO 4 MC 500mm / Land spike 2 ASO 4 MC 500mm

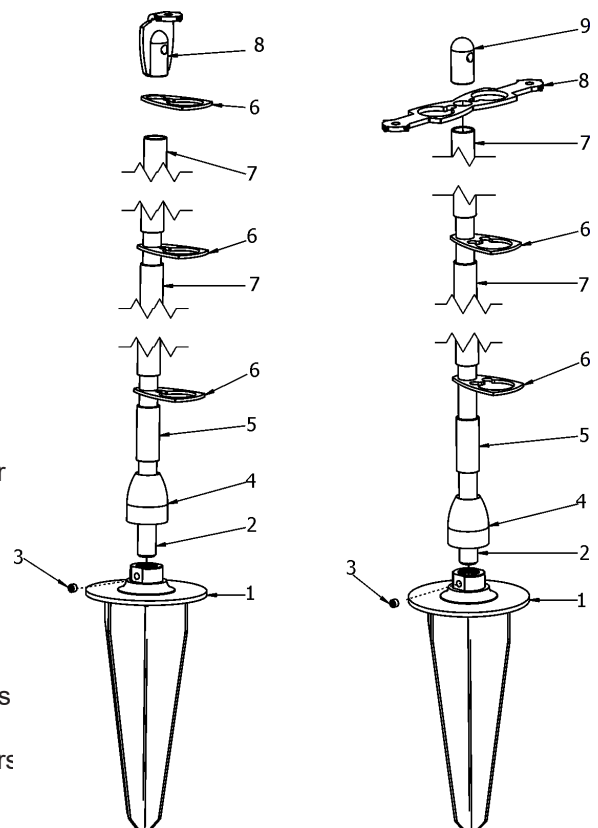
1. Hammer the sharp part (1) of the land spike into ground (hammer the centre of the sharp part, not the edge).
2. Screw the threaded bar (2) into the sharp part (1) and secure it with the socket head M5x5 (3).
3. Put the cover (4) on the threaded bar (2).
4. Put the pipe 36.5mm (5) on the threaded bar (2).
5. Put the cable holder (6) on the threaded bar (2).
6. Put the pipe 198mm (7) on the threaded bar (2).
7. Put the cable holder (6) on the threaded bar (2).
8. Put the pipe 198mm (7) on the threaded bar (2).

#### *Land spike 1 ASO 4 MC 500mm only:*

9. Put the cable holder (6) on the threaded bar (2).
10. Screw the nut (8) on the threaded bar (2).
11. Screw the ArcSource Outdoor 4 MC on the nut (8). (Use the socket head M5x14 from the ArcSource Outdoor 4 MC to screw it to the nut (7)).
12. Pass the cable through the cable holders (6).

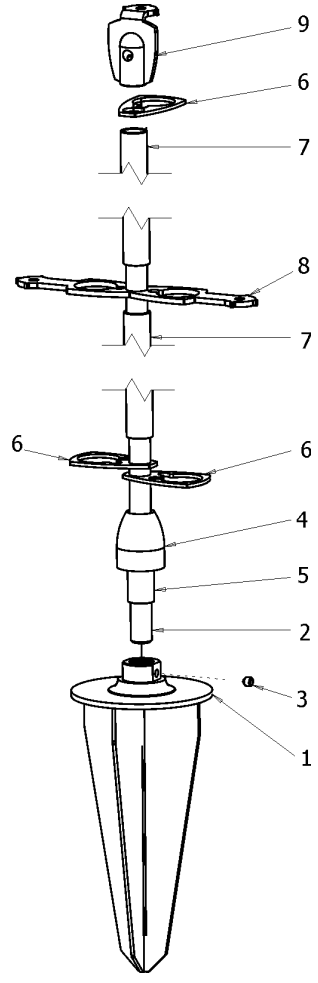
#### *Land spike 2 ASO 4 MC 500mm only:*

9. Put the ArcSources holder (8) on the threaded bar (2).
10. Screw the nut (9) on the threaded bar (2).
11. Screw both ArcSource Outdoor 4 MC on the ArcSources holder (8). (Use the socket head M5x14 from the ArcSource Outdoors 4 MC to screw them to the holder (8)).
12. Pass the cable through the cable holders (6).



**Land spike Land spike 3 ASO 4 MC 500mm**

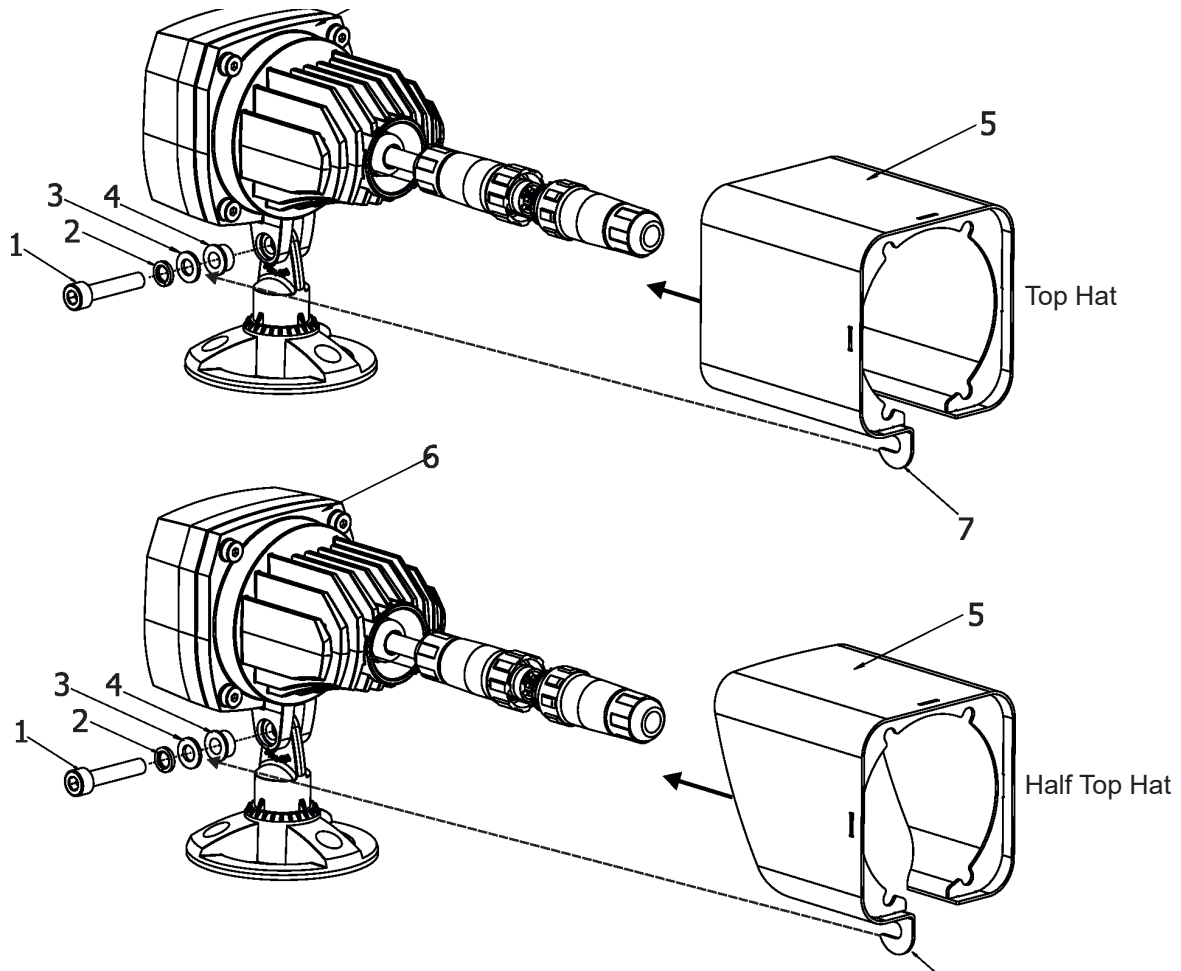
1. Hammer the sharp part (1) of the land spike into ground (hammer the centre of the sharp part, not the edge).
2. Screw the threaded bar (2) into the sharp part (1) and secure it with the socket head M5x5 (3).
3. Put the cover (4) on the threaded bar (2).
4. Put the pipe 36.5mm (5) on the threaded bar (2).
5. Put the cable holders (6) on the threaded bar (2).
6. Put the pipe 198mm (7) on the threaded bar (2).
7. Put the ArcSources holder (8) on the threaded bar (2).
8. Put the pipe 198mm (7) on the threaded bar (2).
9. Put the cable holder (6) on the threaded bar (2).
10. Screw the nut with holder (9) on the threaded bar (2).
11. Screw ArcSources Outdoor 4 MC on the ArcSources holders (8,9).  
(Use the socket head M5x14 from the ArcSource Outdoors 4 MC to screw them to the holder (8)).
12. Pass the cable through the cable holders (6).





## 9. Installing the top hat (half top hat)

1. Unscrew the Allen head screw (1) from the ArcSource Outdoor 4 MC housing.
2. Insert the distance part (4) into the housing of the ArcSource Outdoor 4 MC and place the top hat (half top hat) (5) on the housing (6).
3. Screw the Allen head screw (1) back to the housing with a spring washer (2) and flat washer (3). The small hook (7), which secures the top hat (half top hat) to the housing, has to be placed between the distance part (4) and the flat washer (3). Check the Allen head screw is fully tightened.



Version 2.2

July 26, 2018

Specifications are subject to change without notice.

Made in CZECH REPUBLIC by ROBE LIGHTING s.r.o. Palackeho 416/20 CZ 75701 Valasske Mezirici