

ArcPar S1 tm



Client: _____

Project: _____

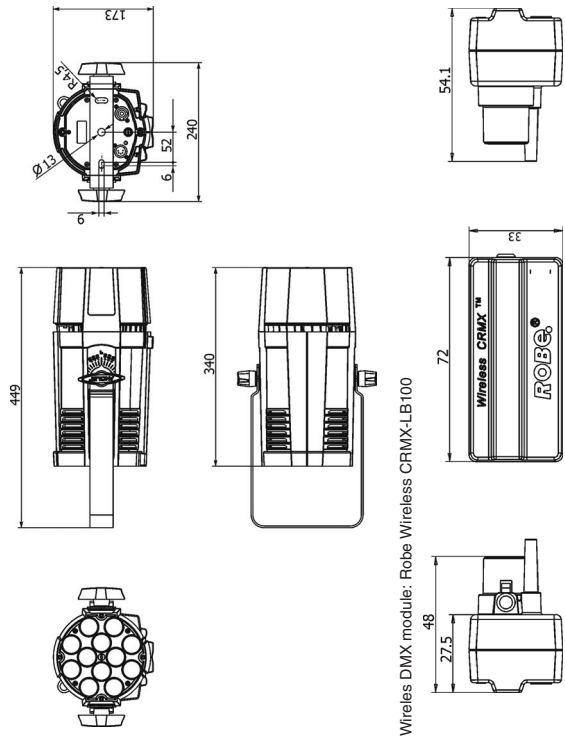
Specifier: _____

Type: _____ Qty: _____



FEATURES:

- Input Voltage: 100-230V, 50/60Hz
- Power consumption: 150W @ 230V +/- 5%
- Power Supply: Electronic Auto-Ranging
- Light Source: 140W COB LED
- Delivered Lumen: 7072lm (2700K @ 23°)
- 8127lm (6000K @ 23°)
- CRI: 96 (2700K) and 82 (6000K)
- Projected LED Life: 60,000
- Control: USITT DMX512, RDM
- Wireless: Lumen Radio CRMX Technology
- Housing: Moulded Plastic
- Fixing Method: U-Bracket
- IP Rating: IP2X
- Operating Ambient Temp: Max +80°C (+176°F)
- Certification: ETL / cETL, CE, RoHS
- 2 Year Warranty



Connection Scheme:

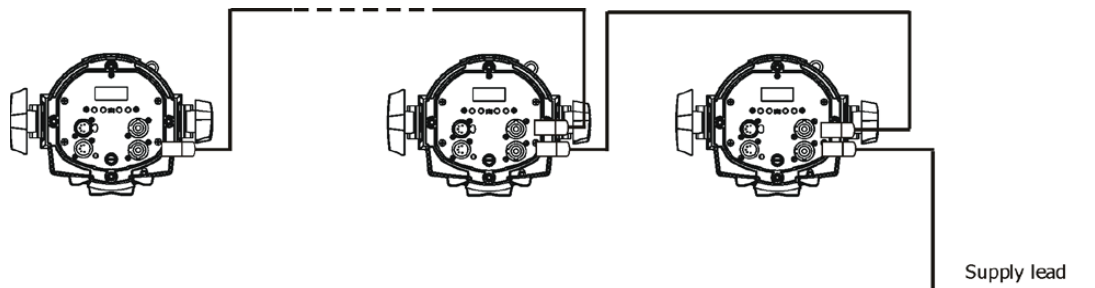
The max. number of connected fixtures depends on the AC mains power voltage:

12 fixtures at power supply= 230V

10 fixtures at power supply= 208V

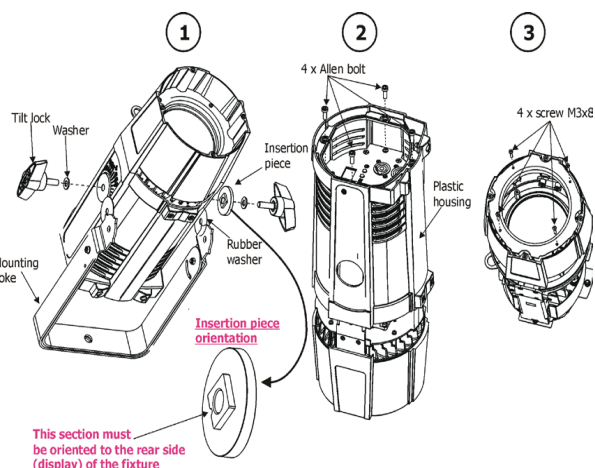
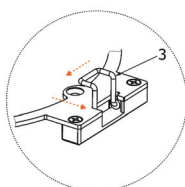
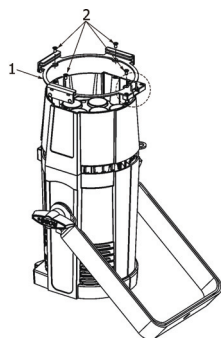
6 fixtures at power supply= 120V

Do not overload the supply line and the connecting leads.



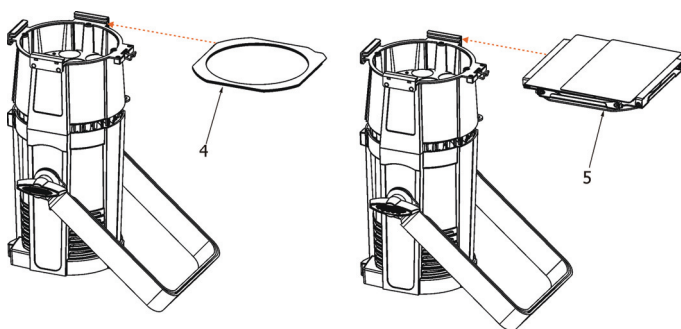
1. Disconnect the fixture from mains.

2. Screw the accessory frame adaptor (1) on the ArcPar 100 housing with the four screws M4x8 (2) and unlock the spring lock (3) via pushing this spring lock as show red arrows on the picture.

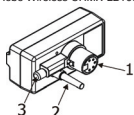


3. Insert the gel frame (4) into the bottom slots of the accessory frame adaptor (1).

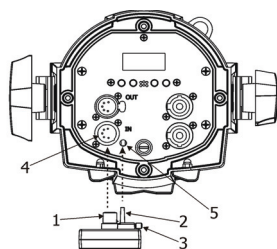
4. Insert the barndoors (5) into the top slots of the accessory frame adaptor (1).



Robe Wireless CRMX-LB100



1 - 5-pin XLR (female)
2 - Locating pin
3 - Lock



Accessories:



Optional Diffuser
40°



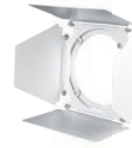
Optional Diffuser
50°



Optional Diffuser
62° x 46°



Optional Diffuser
70° x 48°



Barn Door



Wireless CRMX



Main Cable - 2m
PowerCon - Shuko



Main Cable - 2m
PowerCon - 16A



Main Cable - 2m
PowerCon - CEE



Main Cable - 2m
PowerCon - Open
ended



Daisy Chain
PowerCon 2m - EU



Daisy Chain
PowerCon 2m - USA

Product Specification:

Electrical	Input Voltage		100-240V AC 50/60 Hz	
	Power Consumption		150W @ 230V +/- 5%	
	Power Supply		Electronic Auto-Ranging	
Optical	Light Source		140W COB LED	
		PW	2700K or 6000K	
	LED Channels		Pure White	
	Beam Angle		23° Optional Diffusers Available	
	CRI		96 (2700K), 82 (6000K)	
	Projected Lumen Maintenance		60,000 hrs (L70@ 25°C / 77°F)	
Control	Wireless DMX (Optional Accessory)		Lumen Radio CRMX Technology	
	Control		USITT DMX 512, RDM	
	Control System		2 Row LCD Display & 4 Buttons	
	Power Supply		Integral	
	Stand Alone Control		Yes	
	DMX Channels		1, 2, 3	
	DMX Modes		3	
	Built in Programs		Yes	
	Editable Programs		3 (Up to 40 Steps Each)	
	Physical	Width x Height x Depth		Inches mm 9.29 x 6.81 x 13.5 (17.68) 236 x 173 x 343 (449)
Weight		lbs kg 9.92 4.5		
Housing		Moulded Plastic		
Fixture Connections		Data in/Out: Locking 5-Pin XLR Power Connector: Neutrik PowerCon in/Out		
Fixing Method		U Bracket		
Adjustability		360°		
IP Rating		IP2X		
IK Rating		N/A		
Cooling System		Silent Cooling Fan		
Operating Ambient Temperature		Max +40°C (+104°F)		
Operating Temperature		+80°C (+176°F) @ LED Heatsink		
Certification		Listings		ETL / cETL, CE, RoHS

Subject to change without notice - please contact Anolis for clarification

Accessories	Description
	Diffuser 28° for ArcPar S1 (Included)
	Accessory Frame Adaptor (included)
	Gel Frame (Included)
	Barndoor for ArcPar S1 (Aperture 90x90) (Included)
	Barndoor for ArcPar S1 (Aperture 157x157)
	Wireless CRMX-LB100
	Diffuser 40° for ArcPar S1
	Diffuser 50° for ArcPar S1
	Diffuser 62° x 46° for ArcPar S1
	Diffuser 70° x 48° for ArcPar S1
	Mains Cable PowerCon In/Open ended, 2m
	Mains Cable PowerCon in/Schuko, 2m
	Mains Cable PowerCon In/Cee 16A, 2m
	Mains Cable PowerCon In/US, 2m
	Daisy Chain PowerCon in/Out, EU, 2m
	Daisy Chain PowerCon in/Out, Us, 2m

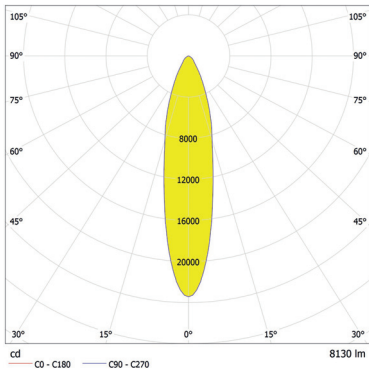


Photometric Data:

For foot Candles divide lux by 10.7

ArcPar SB1 23°

ArcPar SB1 °



Distance [m]	Cone Diameter [m]	E(0°)	E(CD)	Iluminance [lx]
0.5	0.21	93721	11.7° 44181	
1.0	0.41	23430	11.7° 11045	
1.5	0.62	10413	11.7° 4909	
2.0	0.83	5858	11.7° 2761	
2.5	1.04	3749	11.7° 1767	
3.0	1.24	2603	11.7° 1227	

Distance [m] Cone Diameter [m] Illuminance [lx]
 CD - C180 (Half-value Angle: 23.4°)

Total Luminous Flux: 8127lm

Total Luminous Flux: