

ArcPower 24MC (24V) tm



Client: _____

Project: _____

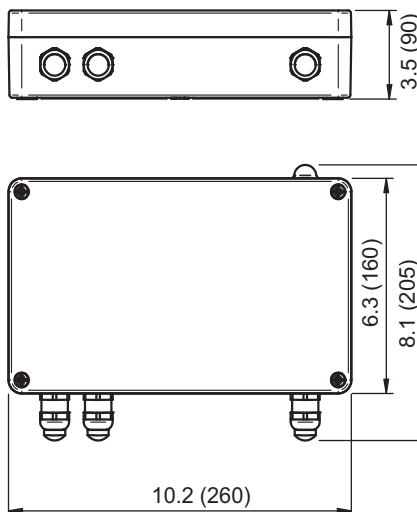
Specifier: _____

Type: _____ Qty: _____

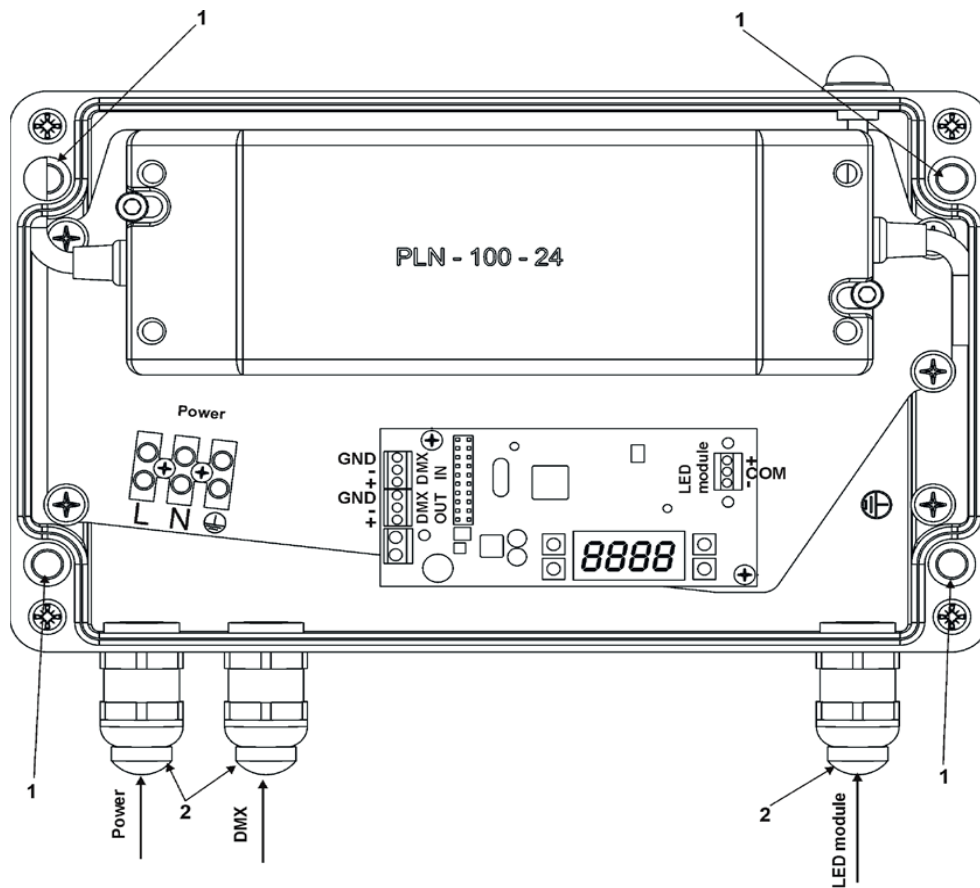


FEATURES:

- Input Voltage: 100-277V AC 50-60Hz
- Power consumption:
 - 75W (Full Power)
 - 35W (Eco Power)
- Max Load Per Zone: 1 x ArcSource Submersible
- Control: DMX 512, USITT
- Housing: Plastic Enclosure
- Max Cable Length:
 - 100m (Eco)
 - 50m (Full)
- Fixing Method: 4 Mounting Holes
- IP Rating: IP66
- Operating Ambient Temp: +40°C (+104°F)
- Certification: ETL / cETL, CE, RoHS
- 5 Year Warranty



Connection Scheme:



Product Specification:

Electrical	Input Voltage		100-277V AC 50/60 Hz
	Power Consumption		75W (Full Power) 35W (Eco Power) +/- 10%
	Max Output Current		700mA (Full Power) 350mA (Eco Power)
	OutPut Voltage		24V DC
Control	Interface Protocol		USITT DMX512
	Operation Modes		TBC
	Display		4 - Digit LED, 4 Buttons
Physical	Width x Height x Depth (Enclosure)	Inches	10.24 x 7.36 x 3.54
		mm	260 x 187 x 90
	Weight	lbs	6.4
		kg	2.9
	Number of Led Output Zones		1
	Maximum Load Per Zone		RGBW 1 x ArcSource 24MC Submersible
	Max Cable Length	50m (Full Power)	
		100m (Eco Power)	
	Built in Programs		TBC
	Editable Programs		TBC
	Input connection		Connection Blocks
	DMX Connection		
	LED Output Connection		
	Fixing Method		4 Fixing Holes
	IP Rating		IP66
IK Rating		IK10	
Cooling System		Convection	
Operating Ambient Temperature		-20°C / +40°C (-4°F / +104°F)	
Certification	Listings		ETL / cETL, CE, RoHS (Pending)

Accessories	Description
	Gasket Cable Grommet M20 (Included)

