

ArcSource Outdoor 24MC Int tm



Client: _____

Project: _____

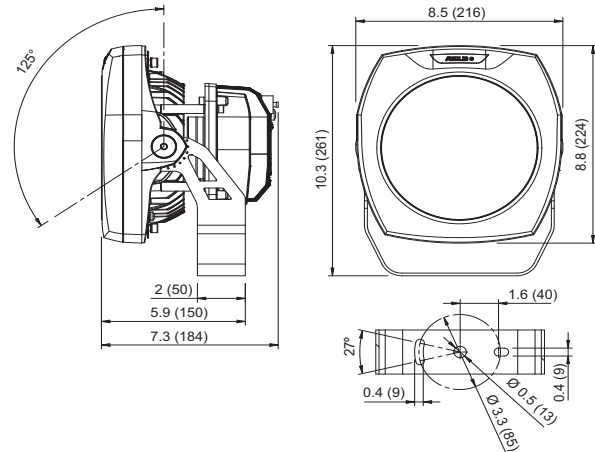
Specifier: _____

Type: _____ Qty: _____

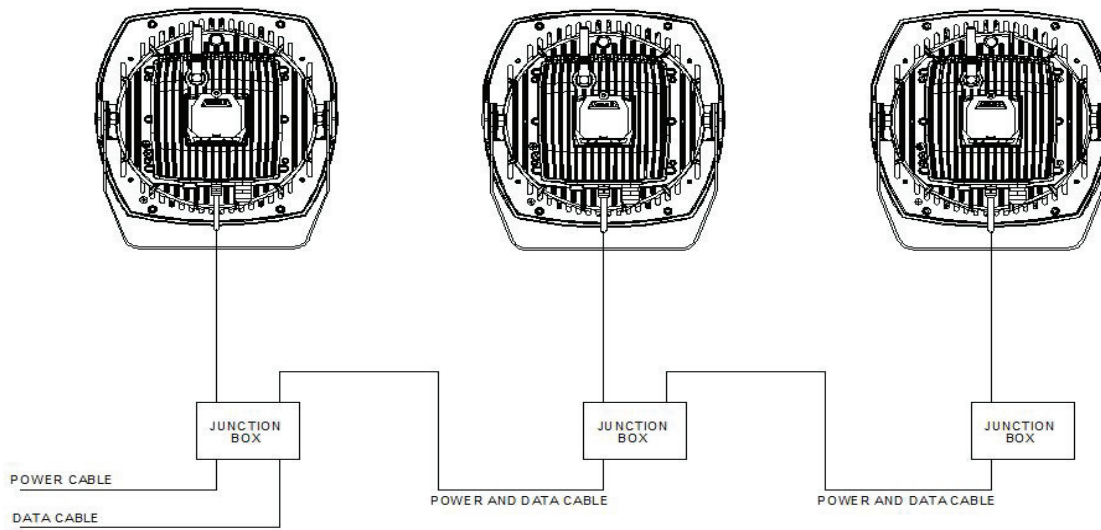


FEATURES:

- Input Voltage: 100-240 VAC 50/60Hz
- Power consumption: 70W
- Light Source: 6 x MC LED's
- Delivered Lumen: 1951lm 11dg 24MC
- Projected LED Life: 60,000 Hrs
- Control: DMX Controller
- Housing: Cast Aluminium and Glass Cover
- Fixing Method: Stirrup / Mounting Plate
- IP Rating: IP67 (IP66 junction Box)
- Operating Ambient Temp: -20°C/+40°C (-4°F/+104°F)
- Certification: ETL / cETL , CE, RoHS
- 5 Year Warranty

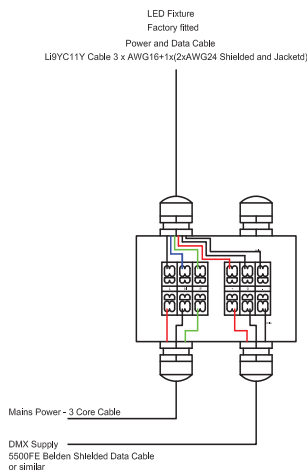


Connection Scheme:

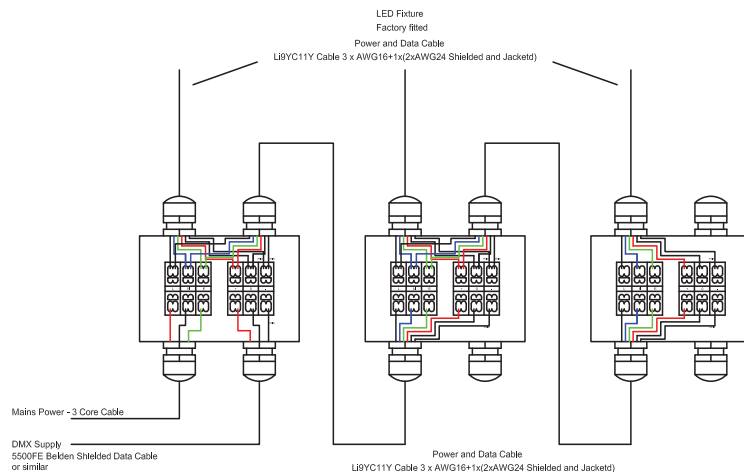


Core	Connection	Core	Connection
Black	Live	Red	Data +
Blue	Neutral	White	Data -
Yellow / Green	Earth	Shielding	Data GND

Single Product

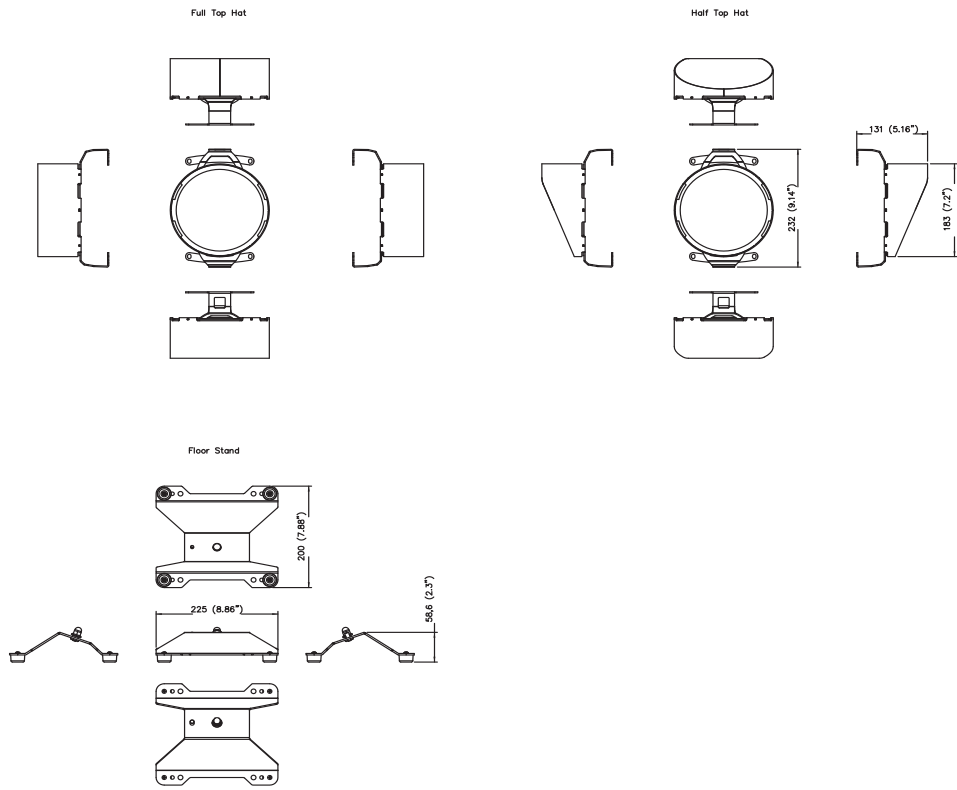


Multiple Products



The maximum number of fixtures for daisy chain @ 220v is 27 - Mains only

Accessories:



Product Specification:

Electrical	Input Voltage		100-240 VAC, 50/60 Hz
	Power Consumption		70w @ 230V
Optical	Light Source		6 x 10w Multi-Chip LEDs
		RGBW	W = CW - 6500K NW - 4200K
		SW	2700K-6500K
		PW	3200K and 6500K
	LED Channels		Red, Green, Blue, White, Pure White, Smart White
Beam Angle		11°, 26°, 36°	
Projected Lumen Maintenance		60,000 hrs (L70@ 25°C / 77°F)	
Control	Interface Protocol		DMX 512
	Wireless DMX (Optional Accessory)		Lumen Radio CRMX Technology
	Control System		Anolis Lighting Controls or any Third Party DMX512 Controllers
	Power Supply		Integral
	Stand Alone Control		Yes
Physical	Width x Height x Depth	Inches	8.5 x 10.3 x 5.9
		mm	216 x 261 x 150
	Weight	lbs	12.6
		kg	5.7
	Housing		High Pressure Die-Cast Aluminium Body Tempered Glass
	Fixture Cable and Connections		Li9YCHY - 3xAWG16+1 (2xAWG24) + Junction Box
	Fixing Method		Stirrup
	Adjustability		+35° -90°
	IP Rating		IP67 (IP66 Junction Box)
	IK Rating		IK**
	Cooling System		Convection
	Operating Ambient Temperature		-20°C / +40°C (-4°F / +104°F)
Operating Temperature		+80°C @ Ambient +40°C (+176°F @ Ambient +104°F)	
Certification	Listings		ETL / cETL, CE, RoHS

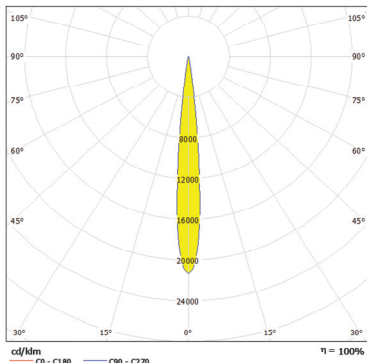
Subject to change without notice - please contact Anolis for clarification

Accessories	Description
	Junction Box (Included)
	Gasket Cable Grommet M20 (Included)
	Top Hat
	Half top Hat
	Mounting Plate



Photometric Data:

ArcSource Outdoor 24MC INT - 11°

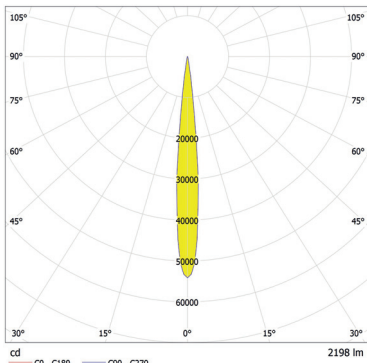


Distance [m]	Cone Diameter [m]	E(0°) E(C0)	E(5.5°) E(C270)	Illuminance [lx]
0.5	0.10	146968	89475	
1.0	0.19	41742	21119	
1.5	0.29	18532	9386	
2.0	0.39	10436	5289	
2.5	0.48	6679	3379	
3.0	0.58	4638	2347	

Distance [m] Cone Diameter [m] Illuminance [lx]
C0 - C180 (Half-value Angle: 11.0°)

Total Luminous Flux: 1951lm

ArcSource Outdoor 24MC SW INT - 11°

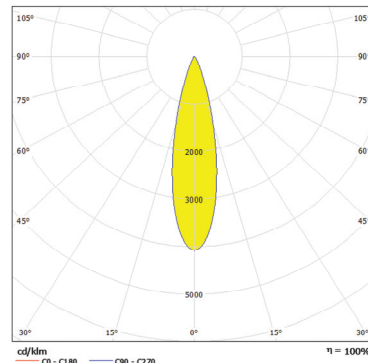


Distance [m]	Cone Diameter [m]	E(0°) E(C0)	E(5.3°) E(C270)	Illuminance [lx]
0.5	0.09	216480	107544	
1.0	0.19	54120	26886	
1.5	0.28	24053	11949	
2.0	0.37	13330	6722	
2.5	0.46	8659	4302	
3.0	0.56	6013	2987	

Distance [m] Cone Diameter [m] Illuminance [lx]
C0 - C180 (Half-value Angle: 10.6°)

Total Luminous Flux: 2212lm

ArcSource Outdoor 24MC INT - 26°

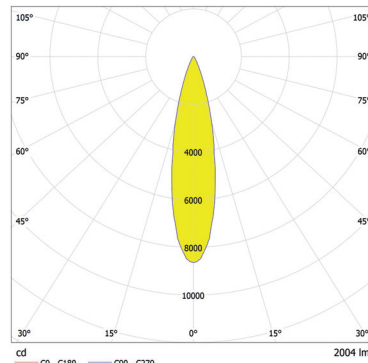


Distance [m]	Cone Diameter [m]	E(0°) E(C0)	E(12.7°) E(C270)	Illuminance [lx]
0.5	0.23	30230	14085	
1.0	0.45	7567	3521	
1.5	0.68	3359	1565	
2.0	0.90	1880	880	
2.5	1.13	1209	583	
3.0	1.35	840	391	

Distance [m] Cone Diameter [m] Illuminance [lx]
C0 - C180 (Half-value Angle: 25.4°)

Total Luminous Flux: 1853lm

ArcSource Outdoor 24MC SW INT - 26°



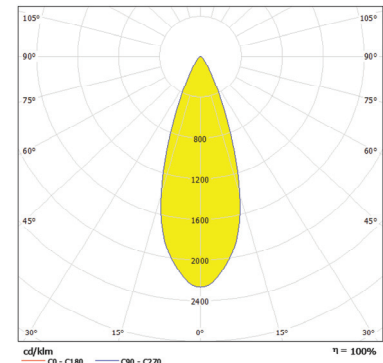
Distance [m]	Cone Diameter [m]	E(0°) E(C0)	E(11.6°) E(C270)	Illuminance [lx]
0.5	0.21	34068	16477	
1.0	0.41	8642	4119	
1.5	0.62	3841	1831	
2.0	0.82	2161	1030	
2.5	1.03	1383	639	
3.0	1.23	960	458	

Distance [m] Cone Diameter [m] Illuminance [lx]
C0 - C180 (Half-value Angle: 23.2°)

Total Luminous Flux: 2004lm

For foot Candles divide lux by 10.7

ArcSource Outdoor 24MC NT - 36°

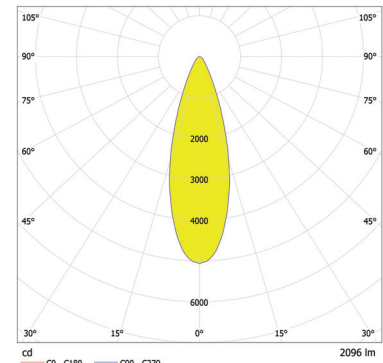


Distance [m]	Cone Diameter [m]	E(0°) E(C0)	E(18.3°) E(C270)	Illuminance [lx]
0.5	0.33	15677	6710	
1.0	0.66	3919	1678	
1.5	0.99	1742	746	
2.0	1.32	880	419	
2.5	1.65	627	286	
3.0	1.98	435	186	

Distance [m] Cone Diameter [m] Illuminance [lx]
C0 - C180 (Half-value Angle: 36.0°)

Total Luminous Flux: 1734lm

ArcSource Outdoor 24MC SW INT - 36°



Distance [m]	Cone Diameter [m]	E(0°) E(C0)	E(16.1°) E(C270)	Illuminance [lx]
0.5	0.29	20238	9001	
1.0	0.58	5065	2250	
1.5	0.87	2251	1000	
2.0	1.15	1266	563	
2.5	1.44	810	360	
3.0	1.73	583	252	

Distance [m] Cone Diameter [m] Illuminance [lx]
C0 - C180 (Half-value Angle: 32.2°)

Total Luminous Flux: 2102lm