

ArcSource 1 tm



Client: _____

Project: _____

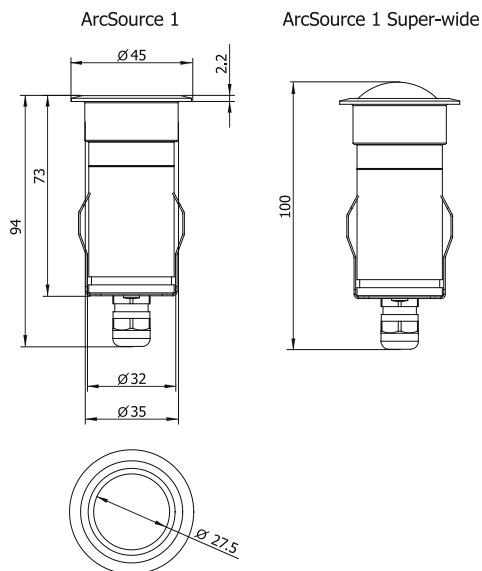
Specifier: _____

Type: _____ Qty: _____



FEATURES:

- Input Voltage: 9-35V DC or 6-24V AC
- Power consumption: 1.6W
- Light Source: 1 x 1W LED
- Delivered Lumen: 54lm (Cool White - 9°)
- Projected LED Life: 50,000 Hrs
- Housing: Stainless Steel Flange - Brass Housing Glass Cover
- Fixing Method: Spring Clips
- IP Rating: IP68 - 5m
- Operating Ambient Temp: -20°C/+40°C (-4°F/+104°F)
- Certification: CE, RoHS
- 5 Year Warranty



Product Specification:

Electrical	Input Voltage		9-35V DC or 6-24V AC
	Power Consumption		1.6W
Optical	Light Source		1 x 1w Single Colour LED
		PW	3200K and 6500K
		R	
		G	
		B	
		A	
	LED Channels		Pure White, Single Colour
Beam Angle		9°, 25°, Shield, Super Wide	
Projected Lumen Maintenance		50,000 hrs (L70@ 25°C / 77°F)	
Control	Wireless DMX (Optional Accessory)		N/A
	Control System		N/A
	Power Supply		9-35V DC or 6-24V AC - By Others
	Stand Alone Control		No
Physical	Width x Height x Depth	Inches	3.54 x ø1.77
		mm	90 x ø45
	Weight	lbs	0.66
		kg	0.3
	Housing		Stainless Steel Top Flange + Brass Housing Tempered Glass Shield - Optional
	Fixture Cable and Connections		Olflex Robust 210 Cable, 2x 0.5mm ² - 1m Long (3.3ft)
	Fixing Method		Spring Clips - Depth of Hole to be 90mm (+20mm for Cable Bend)
	Adjustability		N/A
	IP Rating		IP68
	IK Rating		IK**
	Cooling System		Conduct
	Operating Ambient Temperature		-20°C / +40°C (-4°F / +104°F)
	Operating Temperature		TBC
Certification	Listings		CE, RoHS

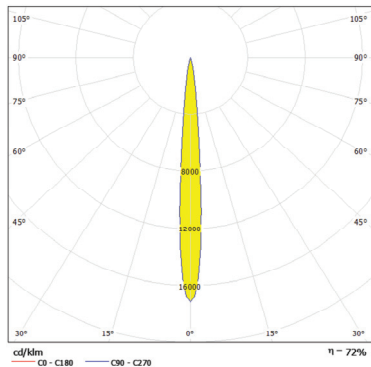
Subject to change without notice - please contact Anolis for clarification



Photometric Data:

For foot Candles divide lux by 10.7

ArcSource 1 CW - 9°

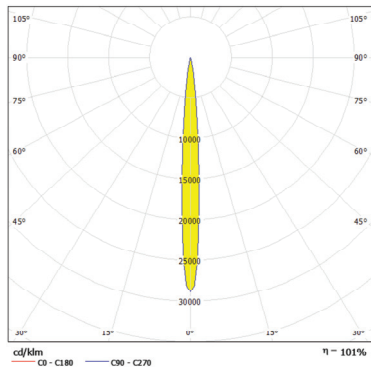


Distance [m]	Cone Diameter [m]	E(0°) E(C0)	E(0°) E(C0)	Illuminance [lx]
0.5	0.08	8141	4.7*	2565
1.0	0.16	1285	4.7*	991
1.5	0.25	571	4.7*	285
2.0	0.33	321	4.7*	160
2.5	0.41	206	4.7*	103
3.0	0.49	143	4.7*	71

Distance [m] Cone Diameter [m] Illuminance [lx]
 * C0 - C180 (Half-value Angle: 9.4°)

Total Luminous Flux: 54lm

ArcSource 1 WW - 8°

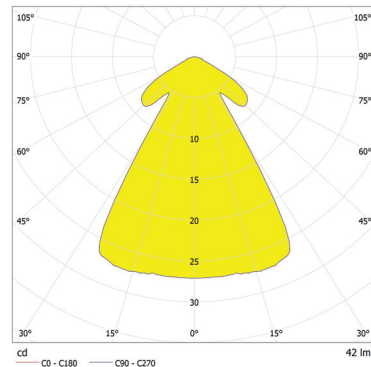


Distance [m]	Cone Diameter [m]	E(0°) E(C0)	E(0°) E(C0)	Illuminance [lx]
0.5	0.07	9959	4.1*	2893
1.0	0.14	1240	4.1*	622
1.5	0.22	551	4.1*	277
2.0	0.29	310	4.1*	156
2.5	0.36	198	4.1*	100
3.0	0.43	138	4.1*	69

Distance [m] Cone Diameter [m] Illuminance [lx]
 * C0 - C180 (Half-value Angle: 8.2°)

Total Luminous Flux: 43lm

ArcSource 1 CW - Non Optic

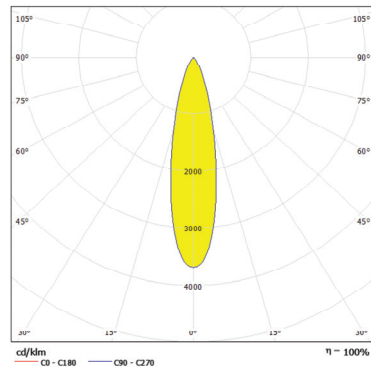


Distance [m]	Cone Diameter [m]	E(0°) E(C0)	E(0°) E(C0)	Illuminance [lx]
0.5	0.59	10	30.5°	3
1.0	1.18	3	30.5°	1
1.5	1.77	1	30.5°	0
2.0	2.36	1	30.5°	0
2.5	2.95	0	30.5°	0
3.0	3.53	0	30.5°	0

Distance [m] Cone Diameter [m] Illuminance [lx]
 * C0 - C180 (Half-value Angle: 61.0°)

Total Luminous Flux: 42lm

ArcSource 1 WW - 25°

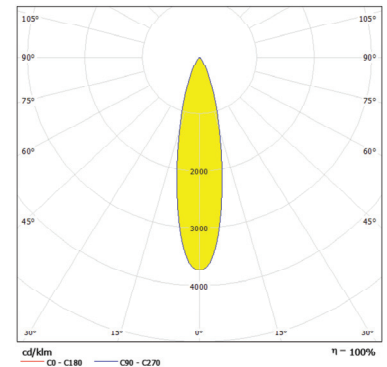


Distance [m]	Cone Diameter [m]	E(0°) E(C0)	E(0°) E(C0)	Illuminance [lx]
0.5	0.22	1366	12.2°	246
1.0	0.43	291	12.2°	137
1.5	0.65	130	12.2°	61
2.0	0.86	73	12.2°	34
2.5	1.08	47	12.2°	22
3.0	1.30	32	12.2°	15

Distance [m] Cone Diameter [m] Illuminance [lx]
 * C0 - C180 (Half-value Angle: 24.4°)

Total Luminous Flux: 79lm

ArcSource 1 WW - Shield 24°



Distance [m]	Cone Diameter [m]	E(0°) E(C0)	E(0°) E(C0)	Illuminance [lx]
0.5	0.21	702	12.0°	371
1.0	0.42	198	12.0°	93
1.5	0.64	88	12.0°	41
2.0	0.85	49	12.0°	23
2.5	1.06	32	12.0°	15
3.0	1.28	22	12.0°	10

Distance [m] Cone Diameter [m] Illuminance [lx]
 * C0 - C180 (Half-value Angle: 24.0°)

Total Luminous Flux: 53lm