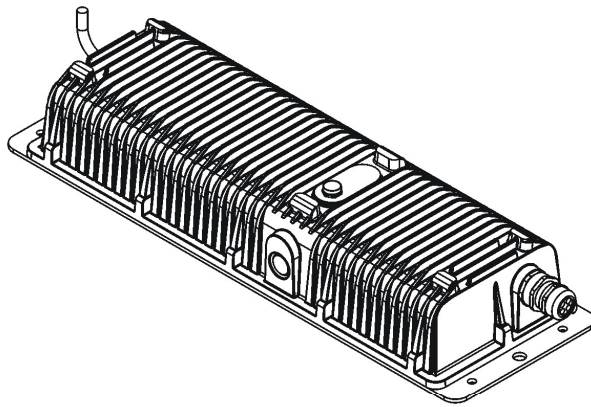




**ArcPower 192 Outdoor CE
ArcPower 192 Outdoor CE /W**



USER MANUAL

Version 1.6

Table of contents

1. Safety instructions	3
2. Fixture exterior view	4
3. Installation	5
3.1 Mounting the fixture	5
3.2 Connection to the mains	5
3.3 Connection between LED modules and ArcPower 192 Outdoor CE unit	6
3.4 Setting and control	6
3.5 DMX 512 connection	7
3.6 Wireless DMX operation.....	7
4. ArcPower 192 Outdoor CE - DMX protocol	9
5. Control menu map.....	11
6. Fixture menu.....	13
6.1 Fixture Address	15
6.2 Fixture information.....	15
6.3 Personality	15
6.4 Manual mode.....	17
6.5 Test sequences.....	17
6.6 Stand-alone setting.....	17
6.7 Special functions.....	18
7. Technical specifications	21
8. Cleaning and maintenance	23

**FOR YOUR OWN SAFETY, PLEASE READ THIS USER MANUAL CAREFULLY
BEFORE POWERING OR INSTALLING YOUR ArcPower 192 Outdoor CE !
Save it for future reference.**

This device has left our premises in absolutely perfect condition. In order to maintain this condition and to ensure a safe operation, it is absolutely necessary for the user to follow the safety instructions and warning notes written in this manual.

The manufacturer will not accept liability for any resulting damages caused by the non-observance of this manual or any unauthorized modification to the device.

Please consider that damages caused by manual modifications to the device are not subject to warranty.

1. Safety instructions

DANGEROUS VOLTAGE CONSTITUTING A RISK OF ELECTRIC SHOCK IS PRESENT WITHIN THIS UNIT!

Make sure that the available voltage is not higher than stated on the rear panel of the fixture.

This fixture should be operated only from the type of power source indicated on the marking label. If you are not sure of the type of power supplied, consult your authorized distributor or local power company.

Always disconnect the fixture from AC power before cleaning, removing or installing the fuses, or any part.

Do not overload wall outlets and extension cords as this can result in fire or electric shock.

Make sure that the power/data cord is never crimped or damaged by sharp edges. Check the fixture and the power/data cord from time to time.

Do not install the unit near naked flames.

During the operation the housing becomes hot (up to 60°C). Do not cover the housing with any materials (textile, plastic etc).

Refer servicing to qualified service personnel.

This fixture falls under protection class I. Therefore this fixture has to be connected to a mains socket outlet with a protective earthing connection.

Do not connect this fixture to a dimmer pack.

Keep combustible materials at least 10 cm away from the fixture.

If the fixture has been exposed to drastic temperature fluctuation (e.g. after transportation), do not switch it on immediately. The arising condensation water might damage your device. Leave the device switched off until it has reached room temperature.

Avoid brute force when installing or operating the fixture.

The fixture was designed for outdoor use and it is intended for professional application only. It is not for household use.

When choosing the installation spot, please make sure that the fixture is not exposed to extreme heat or dust.

Avoid using the unit in locations subject to possible impacts.

The fixture body never must be covered with cloth or other materials.

Only operate the fixture after having checked that the housing is firmly closed and all screws are tightly fastened.

The fixture becomes very hot during operation. Allow the fixture to cool approximately 30 minutes prior to manipulate with it.

Operate the fixture only after having familiarized with its functions. Do not permit operation by persons not qualified for operating the fixture. Most damages are the result of unprofessional operation!

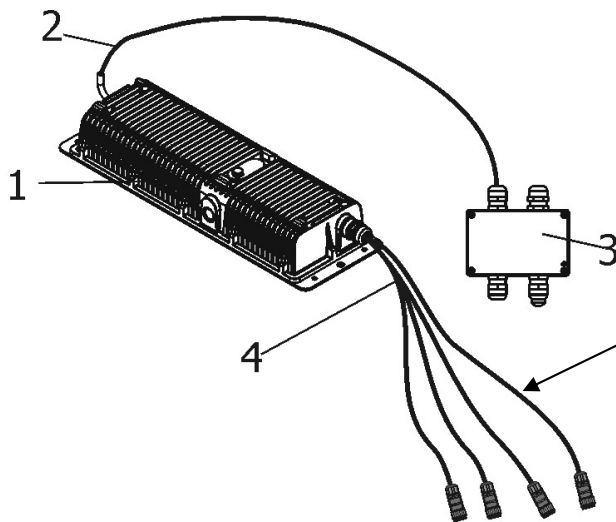
Do not attempt to dismantle or modify the unit.

Please consider that unauthorized modifications on the fixture are forbidden due to safety reasons!

Please use the original packaging if the fixture is to be transported.

If this device will be operated in any way different to the one described in this manual, the product may suffer damages and the guarantee becomes void. Furthermore, any other operation may lead to dangers like short-circuit, burns, electric shock etc.

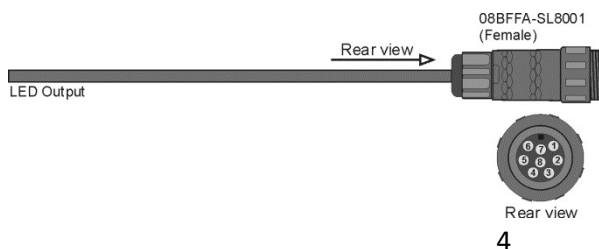
2. Fixture exterior view



Correct interconnection of LED modules and control unit has to be kept . The Chogori connectors are marked by self-adhesive labels:
 LED1- LED Zone 1
 LED2- LED Zone 2
 LED3- LED Zone 3
 LED4- LED Zone 4

- 1. PSU
- 2. Power/data cable
- 3 Junction box
- 4. LED modules connection cables + Chogori connectors (females):

Pin	LED
1	R-
2	W+
3	W-
4	B-
5	B+
6	G-
7	G+
8	R+



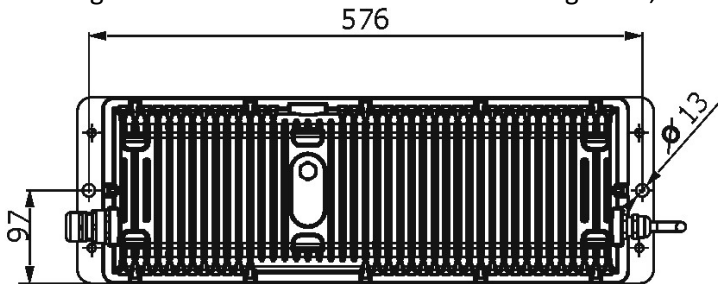
3. Installation

3.1 Mounting the fixture

Ensure that the structure (truss, wall) to which you are attaching the unit is secure.

Fixture must be installed by a qualified electrician in accordance with all national and local electrical and construction codes and regulation.


The ArcPower 192 Outdoor CE can be arranged in any position orientation. The housing of the control unit offers two mounting holes, each with a diameter of 13mm .



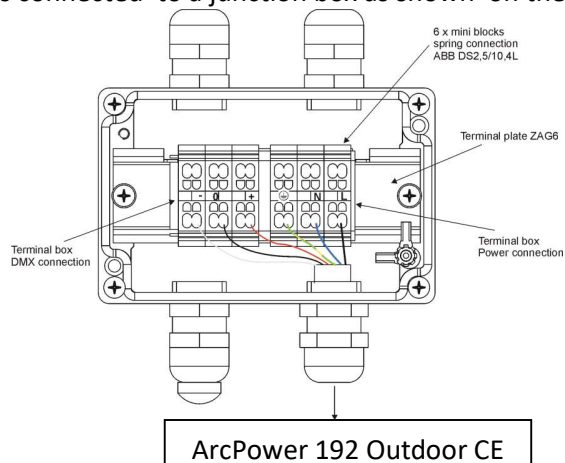
Caution: Overhead installation requires experience. Fixtures may cause severe injuries when crashing down! If you have doubts concerning the safety of a possible installation, do not install the device and consult installation with an expert.

3.2 Connection to the mains

The ArcPower 192 Outdoor CE uses a 5-cored power/data cable. The 3 cores serve for the power supply (3 x 1.5mm²) and next 2 shielded cores are intended for DMX connection:

Core	Connection	Core	Connection
Black	Live	Red	Data +
Blue	Neutral	White	Data -
Yellow/Green		Shielding	0

The power/data cable is connected to a junction box as shown on the picture below.



Connect the junction box to mains and DMX according to the tables below

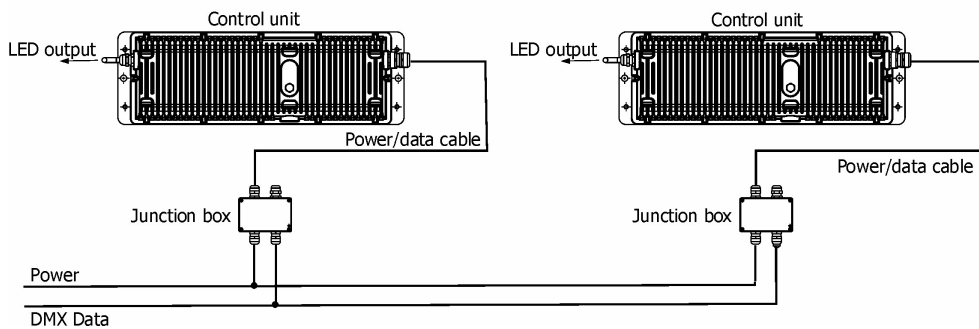
Power connection

	L	N	⏏
EU	Braun	Blue	Green/yellow
US	Black	White	Green

Do not overload the supply line and the connecting leads.

DMX connection

+	0	-
Data +	Data ground(shielding)	Data -



3.3 Connection between LED modules and ArcPower 192 Outdoor CE unit

Four pairs of the Igus CF9.03.08 cable serve for interconnection of the LED modules and the control unit. The Chogori connectors are marked by self-adhesive labels (LED1, LED2, LED3, LED4) next to the connectors and the following order of cable connections has to be kept to ensure correct operation of the driver:

- LED1-LED Zone 1
- LED2-LED Zone 2
- LED3-LED Zone 3
- LED4-LED Zone 4

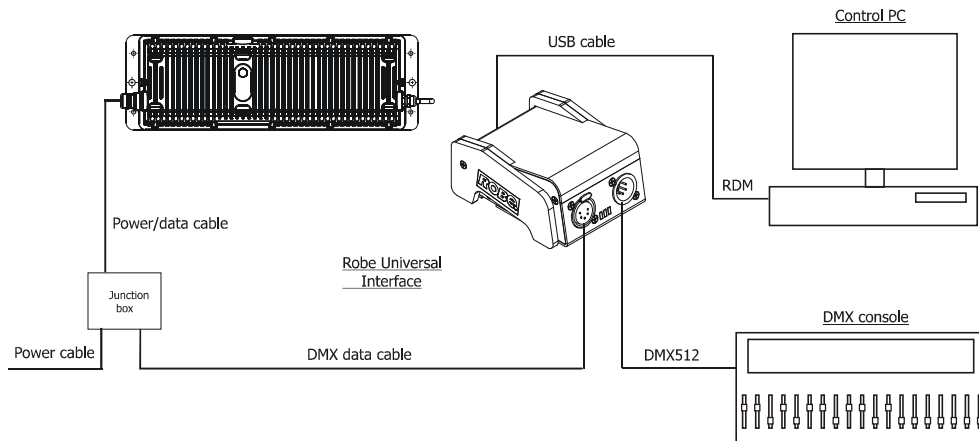
NOTE: max. length between LED module and control unit: 80m (at 350mA load), 20m (at 700mA load).

3.4 Setting and control

For setting DMX address, selecting DMX mode and for another settings you need either Robe Universal Interface or RDM Communicator. Please see the Robe Universal Interface or RDM Communicator user manuals to get more information about this products. The way, how to connect these interfaces to the DMX data link is figured below.

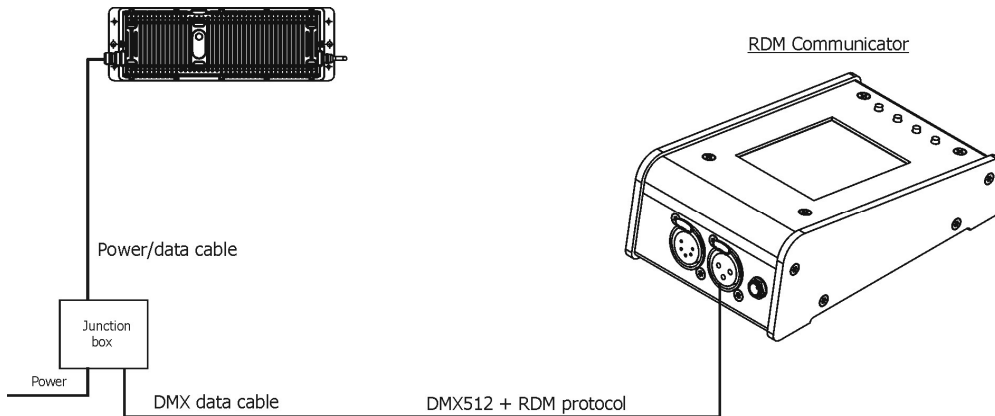
NOTE: Do not connect the RDM communicator and the The Robe Universal Interface to the fixture at the same time.

1. Robe Universal Interface



2. RDM Communicator

Note: DMX controller has to be disconnected from the fixture when the RDM communicator is operated.



3.5 DMX 512 connection

To build a DMX chain

1. Connect the DMX output of the controller directly with the DMX input of the first fixture in the DMX chain.
2. Connect the DMX output of the first fixture in the DMX chain with the DMX input of the next fixture.
3. Always connect the DMX output with the input of the next fixture until all fixtures are connected.
Do not overload the link. Max. 32 fixtures may be connected on a DMX link.

Caution: Terminate the output of the last fixture with a 120 Ohm resistor wired between data (+) and data (-) in order to ensure the proper transmission on the data link.

3.6 Wireless DMX operation

The wireless version of the ArcPower 192 Outdoor CE is equipped with the Lumen Radio CRMX module and antenna for receiving DMX signal. CRMX module operates on the 2.4 GHz band.

To set fixture to wireless DMX operation

1. Set the unlink time in the menu PErS (PErS-->rAd.t.). Default value is 1 hour.
2. To link the fixture with DMX transmitter.

ArcPower 192 Outdoor CE

The fixture can be only linked with the transmitter by running the link procedure at DMX transmitter . After linking , the level of DMX signal (0-100 %) is displayed in the menu item "r.InF." (SPEC-->rAdl.--> r.InF.)

3. To unlink the fixture from DMX transmitter.

The fixture can be unlinked from receiver via the menu item " UnL." (SPEC-->rAdl.--> UnL.).

4. ArcPower 192 Outdoor CE - DMX protocol

Version 1.0

Mode/channel					Value	Function	Type of control
1	2	3	4	5			
1	1	1	1	1	0 - 255	Red LEDs-Zone 1 Red LEDs saturation control (0-100%)	proportional
2	2	2	2	2	0 - 255	Green LEDs-Zone 1 Green LEDs saturation control (0-100%)	proportional
3	3	3	3	3	0 - 255	Blue LEDs-Zone 1 Blue LEDs saturation control (0-100%)	proportional
-	4	4	-	4	0 - 255	White LEDs-Zone 1 White LEDs saturation control (0-100%)	proportional
4	5	5	1	1	0 - 255	Red LEDs-Zone 2 Red LEDs saturation control (0-100%)	proportional
5	6	6	2	2	0 - 255	Green LEDs-Zone 2 Green LEDs saturation control (0-100%)	proportional
6	7	7	3	3	0 - 255	Blue LEDs-Zone 2 Blue LEDs saturation control (0-100%)	proportional
-	8	8	-	4	0 - 255	White LEDs-Zone 2 White LEDs saturation control (0-100%)	proportional
7	9	9	1	1	0 - 255	Red LEDs-Zone 3 Red LEDs saturation control (0-100%)	proportional
8	10	10	2	2	0 - 255	Green LEDs-Zone 3 Green LEDs saturation control (0-100%)	proportional
9	11	11	3	3	0 - 255	Blue LEDs-Zone 3 Blue LEDs saturation control (0-100%)	proportional
-	12	12	-	4	0 - 255	White LEDs-Zone 3 White LEDs saturation control (0-100%)	proportional
10	13	13	1	1	0 - 255	Red LEDs-Zone 4 Red LEDs saturation control (0-100%)	proportional
11	14	14	2	2	0 - 255	Green LEDs-Zone 4 Green LEDs saturation control (0-100%)	proportional
12	15	15	3	3	0 - 255	Blue LEDs-Zone 4 Blue LEDs saturation control (0-100%)	proportional
-	16	16	-	4	0 - 255	White LEDs-Zone 4 White LEDs saturation control (0-100%)	proportional
-	-	17	-	-	0 1-15 16 17-55	Virtual colour wheel (all zones) No function White tones (cool→warm) Blue (Blue=full, Red+Green+White=0) Red=0, Green→up, Blue =full, White=0	step proportional step proportional

ArcPower 192 Outdoor CE

					56 57 - 95 96 97 – 134 135 136 - 174 175 176 -214 215 216 - 254 255	Light Blue (Red=0, Green=full, Blue =full, White=0) Red=0, Green=full, Blue→down, White=0 Green (Red=0, Green=full, Blue =0, White=0) Red→up, Green=full, Blue=0, White=0 Yellow (Red=full, Green=full, Blue=0, White=0) Red=full, Green→down, Blue=0, White=0 Red (Red=full, Green=0, Blue=0, White=0) Red=full, Green=0, Blue→up, White=0 Magenta (Red=full, Green=0, Blue=full, White=0) Red→down, Green=0, Blue=full, White=0 Blue (Red=0, Green=0, Blue=full, White=0)	step proportional step proportional step proportional step proportional step proportional step
-	-	18	-	-	0-31 32-63 64-95 96-127 128-143 144-159 160-191 192-223 224-255	<u>Shutter/ Strobe (all zones)</u> Shutter closed Shutter open Strobe-effect from slow to fast Shutter open Opening pulses in sequences slow--> fast Closing pulses in sequences fast --> slow Shutter open Random strobe-effects from slow to fast Shutter open	step step proportional step proportional proportional step proportional step
-	-	19	4	5	0 - 255	<u>Dimmer (all zones)</u> Dimmer intensity from 0% to 100%	proportional

5. Control menu map

Default settings=**Bold print**

Menu Level 1	Menu Level 2	Menu Level 3	Menu Level 4	Menu Level 5	Menu Level 6
A001	001-512				
InFo	Poti.	totL			
		rSEt			
	DM.In.	rEd1	0-255		
		:			
		dimr	0-255		
	tEMP.	Cur.t.			
		Hi.tE.			
		rSEt			
	VErS.	IC1			
		IC2			
PErS	dM.Pr.	Mod.1			
		Mod.2			
		Mod.3			
		Mod.4			
		Mod.5			
		Mod.6			
	rAd.t.	4 day, 0.1-25.5 1 (default)			
	M.F.ti.	0.1-25.5			
	tEM.U.	°C, °F			
	bALA	bAL1	On, Off		
		bAL2	On, Off		
		bAL3	On, Off		
		bAL4	On, Off		
		Stor.			
	C.bAL.	rEd1	0.. 200 ..255		

ArcPower 192 Outdoor CE

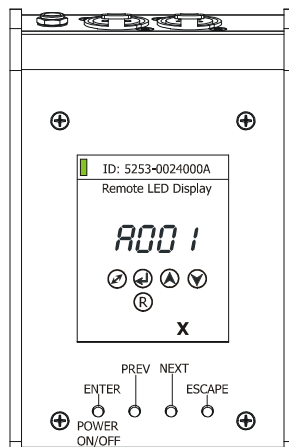
Menu Level 1	Menu Level 2	Menu Level 3	Menu Level 4	Menu Level 5	Menu Level 6
		GrE1	0..... 255		
		bLu1	0.. 237 ..255		
		:			
		rEd4	0.. 200 ..255		
		GrE4	0..... 255		
		bLu4	0.. 237 ..255		
		Stor.			
	LOAd	Out1	0.35A ; 0.70A		
		Out2	0.35A ; 0.70A		
		Out3	0.35A ; 0.70A		
		Out4	0.35A ; 0.70A		
		Stor.			
	In.Po.	rEd1	0-255		
		:			
		dimr	0-255		
		Stor.			
	dFSE	Yes			
		No			
MAn.M.	rEd1	0-255			
	:				
	dimr	0-255			
tEst					
St.AL.	Auto	Off			
		tEst			
		PrG.1			
		PrG.2			
	PLAY	tEst			
		PrG.1			

Menu Level 1	Menu Level 2	Menu Level 3	Menu Level 4	Menu Level 5	Menu Level 6
		PrG.2			
	Edit	PrG.1	St.01	rEd1	0-255
		:	:	:	:
		PrG.2	St.68	S.tim.	0-25.5 sec
				CoPY	
SPEC.	rdML				
	rdMH				
	rAdl	r.InF.			
		r.UnL.			
	l.bLi	On, Off			
	Hold	On,Off			
	uPd.				

6. Fixture menu RDM

communicator:

Connect the RDM communicator to the fixture and from the menu “Control” select the “Remote LED display” item. The fixture’s control display with the four control buttons will appear on the screen of the RDM communicator.



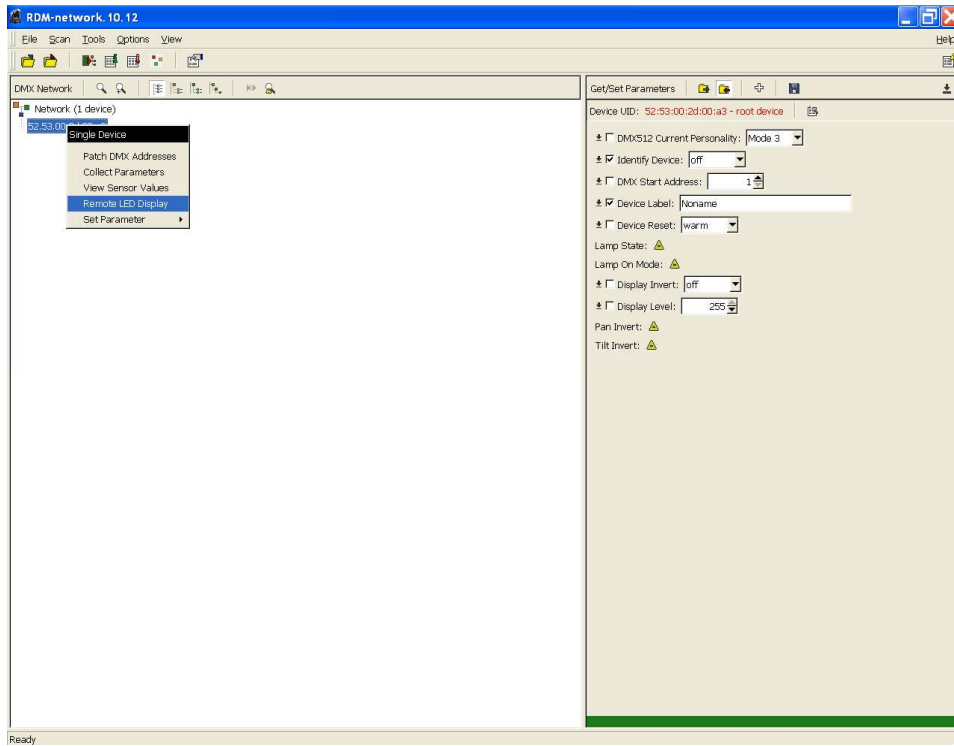
The control buttons have the following functions:

- ↖ - **ESCAPE** button-leaves menu without saving changes.
- ↵ - **ENTER** button- enters menu, confirms adjusted values and leaves menu.
- ▲ - **UP** and ▼ - **DOWN** buttons - move between menu items on the same level, sets values.

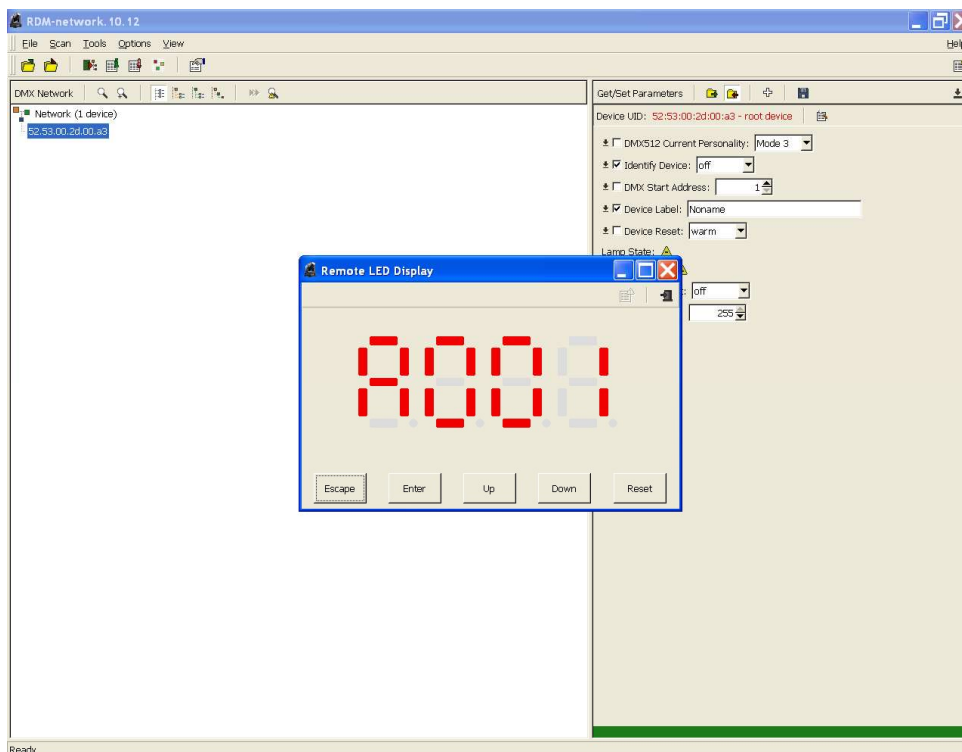
Robe Universal Interface:

Run the RDM-network and click with the right button of the mouse on the fixture and select the **Remote LED display** option from the menu list as shown below.

ArcPower 192 Outdoor CE



The Remote LED Display window will appear. Now you can fully control the fixture using the **UP**, **Down**, **Enter**, **Escape** and **Reset** buttons.



6.1 Fixture Address



Use this menu to set the DMX address of the fixture.

To set a DMX address.

1. Use the UP/DOWN buttons to find " **A001**" menu.
2. Press the ENTER button.
3. Use the UP/DOWN buttons to select desired start address.
4. Press the ENTER button to confirm the choice.

6.2 Fixture information



Use this menu to read useful information about the fixture status.

To display desired information.

1. Use the UP/DOWN buttons to find the " InFo" menu.
2. Press the ENTER button.
3. Use the UP/DOWN buttons to select the required menu item.
4. Press the ENTER button to confirm the choice.

Po.ti. --- **Power On Time.** Use the menu item to read the number of operation hours.

totL - the function shows the total number of the operation hours since the PSU Xtreme has been fabricated.

rSEt - the function shows the number of the operation hours that the PSU Xtreme has been powered on since the counter was last reset. In order to reset this counter to 0 you have to press and hold the UP and DOWN buttons and at the same time press the ENTER button.

DM.In.---**DMX values.** Select this function to read DMX values of each channel received by the fixture.

tEMP --- **Fixture Temperatures.** Select this menu to read the temperatures of the fixture:

Cur.t. --- the current temperature of the fixture inside.

Hi.tE. - the menu item shows the max. temperatures of the fixture inside since the PSU Xtreme has been fabricated.

rSEt --- the menu item shows the maximum temperatures of the fixture inside since the counter was last reset. In order to reset this counter to 0 you have to press and hold the UP and DOWN buttons and at the same time press the ENTER button.

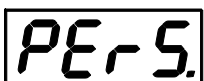
The temperatures can be displayed either in °C or °F units - see option "tEM.U" in the menu "Pers"

VErS. --- **Software Versions.** Select this function to read the software versions of the fixture processors.

IC1 --- LED modules control processor

IC2 --- EEprom

6.3 Personality



Use this menu to modify the PSU Xtreme operating behaviour.

DM.Pr. --- **DMX preset.** Select this menu item to set a desired DMX mode. Please refer to the chapter "DMX protocol" for detail description of each DMX mode.

rAd.t. --- **Unlink time.** Use this menu to set time after that the linked fixture will be unlinked from the transmitter, if the transmitter does not transmit DMX signal.

OFF --- Fixture is permanently linked to the transmitter.

4day-25.5 --- Time from 4 days to 0.1-25.5 hrs. Default value is 1 hr.

M.F.ti. --- **Max. Fade time.** Select this menu item to set a desired max. fade time (0-25.5 sec.). This adjusted fade time influences fade of RGB and dimmer during DMX operation:

If time between two receiving DMX values is > than fade time set in the item M.F.ti., the entire adjusted fade time will be used.

If time between two receiving DMX values is < than fade time set in the item M.F.ti., the adjusted fade time will be reduced to fill entire time between the two receiving DMX values.

e.g. M.F.ti.=2sec. and fixture has received Red=0 DMX, after 5 seconds will receive Red=255 DMX. It means, that red will go to full intensity during 2 seconds.

M.F.ti.=8 sec. and fixture has received Red=0 DMX, after 5 seconds will receive Red=255 DMX. It means, that red will go to full intensity during 5 seconds. (Max, fade time is reduced from 8 sec. to 5 sec.).

tEM.U. --- **Temperature Unit.** Use this menu in order to display the fixture temperatures in desired units: °C or °F.

bALA --- **White colour balance** Use this menu item to enable (On) or disable (Off) the white balance which is set in the "White colour balance" menu below. If this function is set off, the fixture will use maximum value (255) of saturation for red, green and blue colour. This function has to be set on before adjusting a white balance. The white colour balance can be switched on/off for each LED output independent.

C.bAL. --- **White colour balance setting.** The menu gives access to the setting of the white balance. The white colour balance can be set for each LED output independent.

To set the white colour balance.

1. Use a DMX controller or the "Man.C." menu to set all LEDs on max. saturation.
2. Use the UP/DOWN buttons to find the "Pers." menu.
3. Press the ENTER button.
4. Use the UP/DOWN buttons to select the "C.bAL" menu.
5. Press the ENTER button and the "rEd1" item will appear on the display.
6. Press the ENTER button and use the UP/DOWN buttons to set new max. value for the red LEDs.
7. Press the ENTER button to confirm the choice.
8. Use the UP/DOWN buttons to select next colour, the "GrE1".
9. Repeat steps 6-7 for this channel.
10. Use the UP/DOWN buttons to select the last colour, the „bLu1“ and repeat steps 6-7 for this colour.
11. Repeat this procedure for all LED outputs
12. Use the UP/DOWN buttons to find the item "Stor." and press the ENTER button to save adjusted values.

LoAd --- **Load of LED outputs.** The menu allows to choose desired current (350mA or 700mA) for each LED output.

Warning: Set the "Load" item before connecting the LED modules to the driver.

Never connect 1Watt LEDs to the 700mA output otherwise these LEDs will be destroyed.

In.Po. --- **Init effect positions.** Use this function to set all effects to the desired positions to which they will move after switching the fixture on (if DMX is not being received).

dF.SE. --- **Default Settings .**The menu item sets all fixture parameters to the default (factory) values.

6.4 Manual mode

Use this menu for control the fixture without connected DMX console.

To control fixture channels.

1. Use the UP/DOWN buttons to find “ Man.M “ menu.
2. Press the ENTER button.
3. Use the UP/DOWN buttons to select desired effect (channel).

List of control channels:

“rEd1” - “rEd4” - red LEDs saturations, LED modules 1 -4

“GrE1” - “GrE4” - green LEDs saturations, LED modules 1 -4

“bLu1” - “bLu4” - blue LEDs saturations, LED modules 1 -4

“Whi1” - “Whi4” white LEDs saturations, LED modules 1-4

“MACr” - colour macros

“Stro.” - a strobe, shutter

“dimr” - a dimmer

4. Press the ENTER button and use the UP/DOWN buttons to set value , press the ENTER button to confirm it.

6.5 Test sequences

Use this menu to run test sequences without an external controller, which will show you some possibilities of using the PSU Xtreme.

6.6 Stand-alone setting

The fixtures on a data link are not connected to the controller but can execute pre-set programs which can be different for every fixture.

Auto. --- **Automatic playback.** This function allows you to select the program which will be played after switching the fixture on. Selected program will be played continuously in a loop.

1. Use the UP/DOWN buttons to find “ **St.AL.** “ menu.
2. Press the ENTER button.
3. Use the UP/DOWN buttons to select “ **Auto** “ item.
4. Press the ENTER button.
5. Use the UP/DOWN buttons to select desired program.
6. Press the ENTER button to confirm the choice.

PLAY --- **Playing program.** By enter to this menu a complete overview of all programs is offered, from which the program to be run can be selected.

1. Use the UP/DOWN buttons to find “ **St.AL.** “ menu.
2. Press the ENTER button.
3. Use the UP/DOWN buttons to select desired program.
4. Press the ENTER button. The selected program runs in a loop.

Edit --- **Editing a program.** The fixture offers 2 freely editable programs (PrG.1,PrG.2) each up to 68 steps. Every program step includes a fade time-the time taken by the step’s channel status to reach the desired level and a step time-the total time occupied by the step in the program.

E.g. If “F.tim.”=5 second and “S.tim.”=20 second, effects will go to the desired position during 5 seconds and after that they will stay in this position for 15 seconds before going to the next prog. step

1. Use the UP/DOWN buttons to find " **St.AL.**" menu and press the ENTER button.
2. Use the UP/DOWN buttons to select "Edit" menu and press the ENTER button.
3. Use the UP/DOWN buttons to select a program you want to edit (PrG.1,PrG.2 and press ENTER button.
4. Use the UP/DOWN buttons to select a desired program step ("St.01" - "St.68") and press ENTER button.
5. Use the UP/DOWN buttons to select a channel you want to edit and press the ENTER button.

List of editable items:

"P.End" - a total number of the program steps (value 1-68). This value should be set before start programming (e.g. if you want to create program with 10 steps, set P.End=10).

"rEd1" - "rEd4" – a red LEDs saturation(0-255), module 1-4

"GrE1" - "GrE4" –a green LEDs saturation (0-255)), module 1-4

"bLu1" - "bLu4" – a blue LEDs saturation (0-255)), module 1-4

"Whi1" - "Whi4" – a white LEDs saturation (0-255)), module 1-4

"MACr" - colour macros (0-255), both modules

"Stro." - a strobe, shutter (0-255), both modules

"dimr" - a dimmer (0-255), both modules

"F.tim." - a fade time, (0-25.5) seconds

"S.tim." - step time, value (0-25.5) seconds

"COPY" - this item duplicates the current prog. step to the next prog. step. The item "P.End" is increased automatically.

6. Use the UP/DOWN buttons to set a DMX value of the channel and then press the ENTER button.
7. Use the UP/DOWN buttons to select next channel and press the ENTER button.
8. After having set all channels in the current program step, press the ESCAPE button to go by one menu level back and select another program step.

6.7 Special functions



rdML --- **Code.** This menu item shows the first part of the RDM identification code.

rdMH --- **Code.** This menu item shows the second part of the RDM identification code.

rAdl --- **Wireless DMX (only wireless DMX version).** The menu serves for reading of the wireless operation status.

r.InF. --- **Signal level.** The menu item shows level of received signal in %.

r.UnL. --- **Wireless DMX unlink.** The item serves for unlinking the fixture from a DMX transmitter.

HoLd --- **Holding DMX.** If the function is on, the last received DMX values are held in case, that DMX data receiving was interrupted (e.g. disconnected DMX controller).

uPd.M. --- **Updating mode.** The menu item allows you to update software in the fixture via either serial or USB port of PC.

The following are required in order to update software:

- PC running Windows 95/98/2000/XP or Linux
- DMX Software Uploader
- Flash cable RS232/DMX No.13050624 (if you want to use a serial port of PC)
- Robe Universal Interface (if you want to use an USB port of PC)

Note1: Software update should execute a qualified person. If you lack qualification, do not attempt the update yourself and ask for help your ROBE distributor.

Note 2: DMX address, programs 1,2 and all items in the menu "PErS" will be set to their default values.

To update software in the fixture:

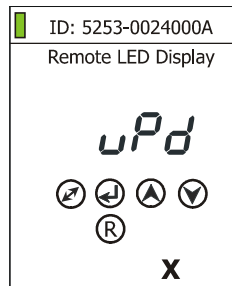
I. Installation of the DMX Software Uploader.

1. DMX Software Uploader program is available from theAnolis web site at WWW.anolis.cz.
2. Make a new directory (e.g. Anolis_Uploader) on your hard disk and download the software into it.
3. Unpack the program from the archive.

II. Fixture software updating.

If you use the RDM Communicator:

1. Disconnect the fixture from other fixtures in a DMX link.
2. Connect the RDM communicator to the fixture and switch this fixture to the update mode :
 - 1 Use the UP/DOWN buttons to find “SPEC.” menu.
 - 2 Press the ENTER button.
 - 3 Use the UP/DOWN buttons to select “ uPd.” item.



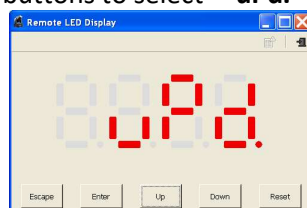
- 4 Press the ENTER button
- 5 Use the UP/DOWN buttons to select “ yES” option
- 6 Press the ENTER button

Note: If you do not want to continue in software update, you have to switch off and on the fixture to escape from this menu.

3. Disconnect the RDM communicator from the fixture.
4. Connect serial port of your PC with a DMX input of the fixture if you using the flash cable RS232/DMX.

If you use the Robe Universal Interface:

1. Disconnect the fixture from other fixtures in a DMX link.
2. Connect the Robe Universal Interface to the fixture and switch this fixture to the update mode :
 1. Run the RDM-Network and select menu item “Remote LED Display”
 2. Use the UP/DOWN buttons to find “SPEC.” menu.
 3. Press the ENTER button.
 4. Use the UP/DOWN buttons to select “ uPd.” item.



5. Press the ENTER button
6. Use the UP/DOWN buttons to select “ yES” option
7. Press the ENTER button

Note: If you do not want to continue in software update, you have to switch off and on the fixture to escape from this menu.

8. After switching the fixture to the update mode cancel the RDM-Network program.

Run the Software Uploader program. Select desired COM (select Robe Universal Interface if the USB port is used) and then click on the Connect button.

Note: we recommend to cancel all running programs before starting the Software Uploader.

ArcPower 192 Outdoor CE

If the connection is OK, click on the Start Uploading button to start uploading. It will take several minutes to perform software update. If the option "Incremental Update" is not checked, all processors will be updated (including processors with the same software version).

If you wish to update only the latest versions of processors, check the Incremental Update box.

Avoid interrupting the process. Update status is being displayed in the Info Box window.

When the update is finished, the line with the text "The fixture is successfully updated" will appear in this window and the fixture will reset with the new software.

7. Technical specifications

Power supply

- Electronic auto-ranging
- Input voltage: 100 - 240V AC, 50-60 Hz
- Power consumption: 600W
- Fuse: F12A

Control

- Control: USITT DMX 512 (RDM support)
- DMX protocol modes: 5 (12,16,19,4,5) control channels
- Manual control of all effects via RDM communicator
- 2 user editable programs each up to 68 steps
- RGBW colour mixing
- Built-in colour macros
- White colour balance adjusting for each LED output separately

LED output

- Max. Output current: 350mA or 700 mA per colour
- Number of LED zones: 4
- Max. load per zone: 48LEDs (1W or 3W LEDs, max . 12 LEDs per colour) or 12 RGBW multichips (10W)

Connection

- LED modules connection: cable: Igus CF9.03.08
connectors: Chogori
- **NOTE:** max. length between LED module and control unit: 80m (at 350mA load), 20m (at 700mA load).
- Connection between control unit and junction box: 5-cored power/data cable
- junction box

Rigging

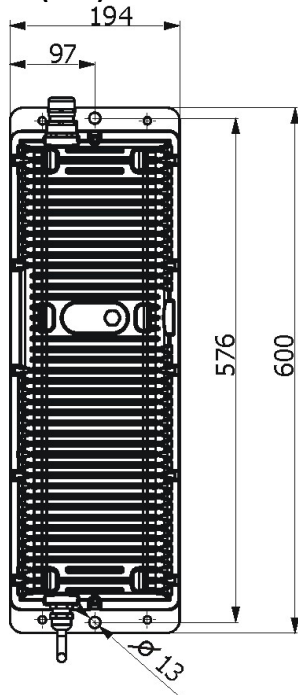
- Via slots in base of the driver

Temperatures

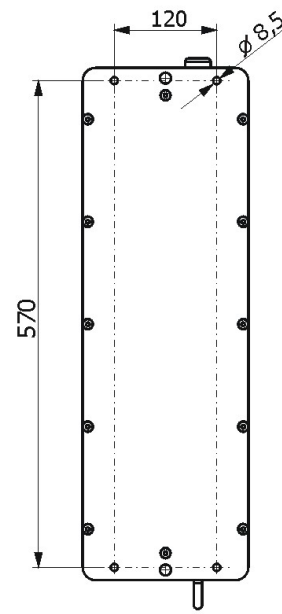
- Maximum ambient temperature: 40° C
- Maximum housing temperature: 60° C

ArcPower 192 Outdoor CE

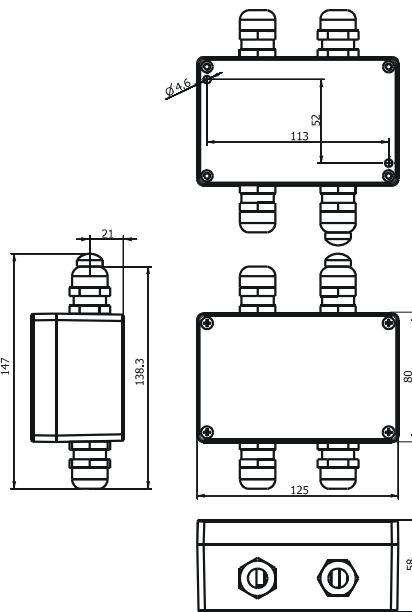
Dimensions (mm)



ArcPower 192 Outdoor CE



Junction box



Weight

- PSU unit: 9 kg

Protection factor

- IP 67

Included items

- 1 x ArcPower 192 Outdoor CE
- 1 x Junction box (P/N 99714080)
- 1 x User manual
- 4 x Connector Chogori CGRBDU 08BMMA-SL8001(male)
- 1 x Gasket of cable grommet M20, PF ½ (P.N. 1305 1388)

8. Cleaning and maintenance

DANGER !
Disconnect from the mains before starting any cleaning or maintenance work

Rinse off loose dirt with a garden hose or low pressure water spray. Wash the housing with a soft brush or sponge and a mild, non-abrasive washing detergent. Rinse it.

There are no serviceable parts inside the device.

Maintenance and service operations are only to be carried out by a qualified person.

Should you need any spare parts, please use genuine parts.

If the power supply cable of this device will be damaged (cable firmly connected with the device), it has to be replaced by authorized distributors only in order to avoid hazards.

Specifications are subject to change without notice.

October 2, 2017