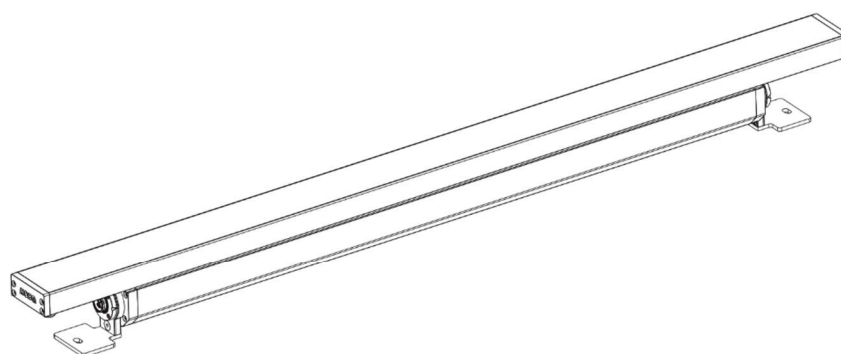




Eminere 1
Eminere 2
Eminere 3
Eminere 4



USER MANUAL

Version 1.1

Table of contents

1. Safety instructions	3
2. Fixture exterior view	4
3. Installation	5
3.1 Mounting the fixture	5
3.2 Connection to mains	5
4. Technical specifications	8
5. Cleaning and maintenance	13
5.1 Disposing of the product	13
6. ChangeLog	13

**FOR YOUR OWN SAFETY, PLEASE READ THIS USER MANUAL CAREFULLY
BEFORE POWERING OR INSTALLING YOUR Eminere !
Save it for future reference.**

This device has left our premises in absolutely perfect condition. In order to maintain this condition and to ensure safe operation, it is absolutely necessary for the user to follow the safety instructions and warnings written in this manual.

The manufacturer will not accept liability for any resulting damages caused by the non-observance of this manual or any unauthorized modification to the device.

Unauthorized modification will void warranty.

1. Safety instructions

DANGEROUS VOLTAGE CONSTITUTING A RISK OF ELECTRIC SHOCK IS PRESENT WITHIN THIS UNIT!

This fixture should be operated only from the type of power source indicated on the marking label. If you are not sure of the type of power supplied, consult your authorized distributor or local power company.

Always disconnect the fixture from AC power before cleaning, servicing or installing.

Do not overload wall outlets and extension cords as this can result in fire or electric shock.

Make sure the power cord is never crimped or damaged by sharp edges. Check the fixture and the power cord from time to time.

Do not install the unit near an open flame.

During operation the housing becomes hot.

Refer servicing to qualified service personnel.

This fixture falls under protection class I. Therefore this fixture has to be connected to a mains socket outlet with a protective earthing connection.

Do not connect this fixture to a dimmer pack.

LED light emission. Risk of eye injury. Do not look into the beam from a short distance without suitable protective eyewear. Do not look at LEDs with magnifiers or similar optical instruments that may concentrate the light output.

If the fixture has been exposed to drastic temperature fluctuation (e.g. after transportation), do not switch it on immediately. The arising condensation of water might damage your device. Leave the device switched off until it has reached room temperature.

Avoid brute force when installing or operating the fixture.

The fixture was designed for outdoor use. This fixture must not be used for underwater installation.

When choosing the installation spot, please make sure that the fixture is not exposed to extreme heat or dust.

Avoid using the unit in locations subject to possible impacts.

The fixture body never must be covered with cloth or other materials when the fixture is under operation.

Only operate the fixture after having checked that the housing is firmly closed and all screws are tightly fastened.

The fixture becomes hot during operation. Allow the fixture to cool approximately 30 minutes prior to servicing or maintenance.

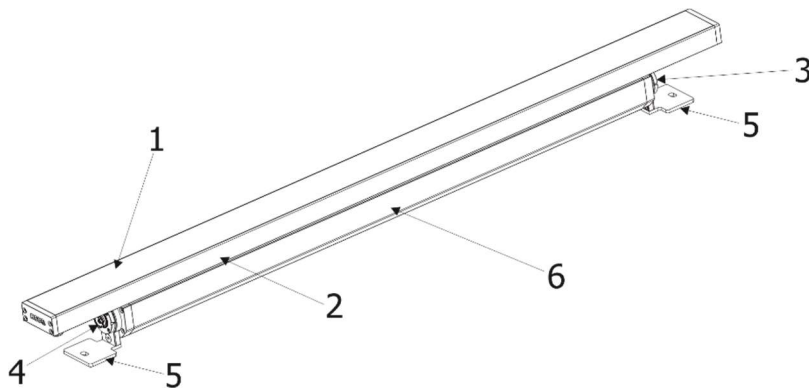
Operate the fixture only after having familiarized yourself with its functions. Do not permit operation by persons not qualified to operate the fixture. Most damages are the result of unprofessional operation!

Please consider that unauthorized modifications on the fixture are forbidden due to safety reasons!

Please use the original packaging if the fixture is to be transported.

If this device will be operated in any way different to the one described in this manual, the product may suffer damages and the warranty becomes void. Furthermore, any other operation may lead to dangers like short-circuit, burns, electric shock etc.

2. Fixture exterior view

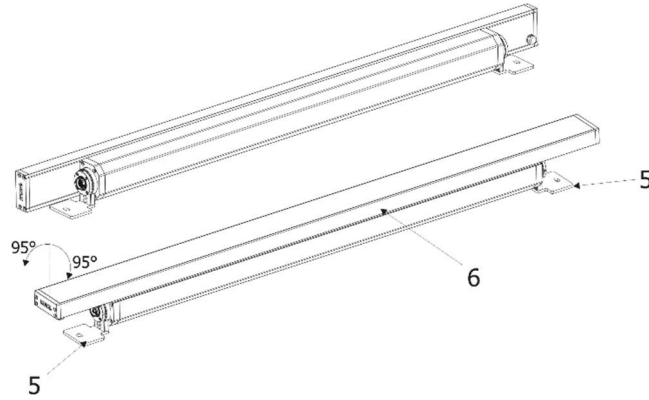


1. Transparent glass cover
2. Aluminium base
3. Output connector
4. Input connector
5. Mounting brackets
6. LED module

3. Installation

3.1 Mounting the fixture

The Eminere can be arranged in any orientation on a flat, non-flammable surface by means of two mounting brackets (5), the LED bar (6) can be tilted (+95°/-95°) to get access to mounting brackets (5).



Ensure that the structure to which you are attaching the unit is secure.

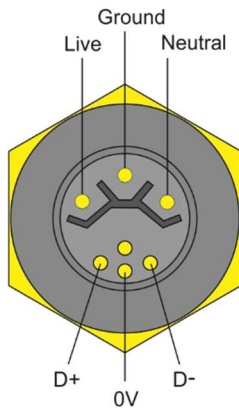
3.2 Connection to mains

**The unit must be installed by a qualified electrician in accordance with all national and local electrical and construction codes and regulations.
This device falls under class one and must be grounded!**

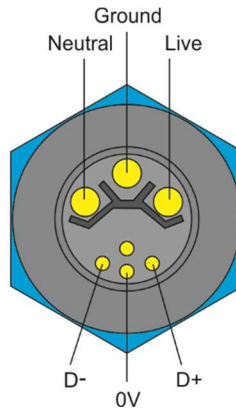
The Eminere is equipped with auto-switching power supply that automatically adjusts to any 50-60Hz AC power source from 100-277 Volts.

Wiring of input/output connectors:

Input - panel connector
(rear view - from side of soldering)



Output - panel connector
(rear view - from side of soldering)



Fixture's Amphenol connectors are dust and water protected according to IP 67 by mating with related Amphenol connectors.

They cannot stay disconnected outdoor.

The output panel connector at last fixture in the Eminere chain has to always be covered with the water-tight cap to keep declared IP rating.

The Eminere modules should be connected to the E-box which allows power supply of the Eminere modules and their control.

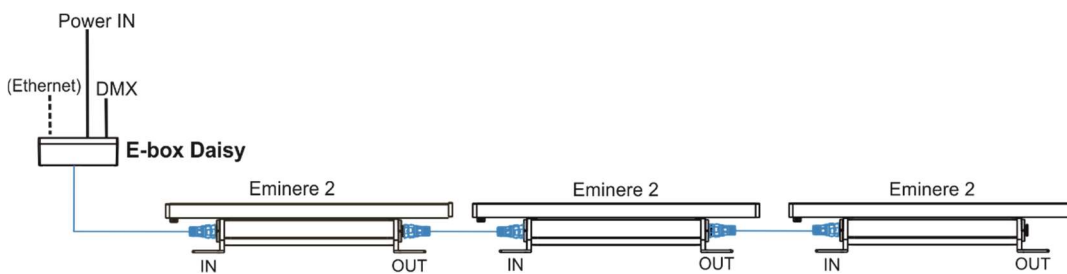
Do not connect (disconnect) Emineres to the E-box and each other when they are under voltage!

When you change any setting of the E-box, disconnect the E-box from power and connect it to power again to activate changes which you have made.

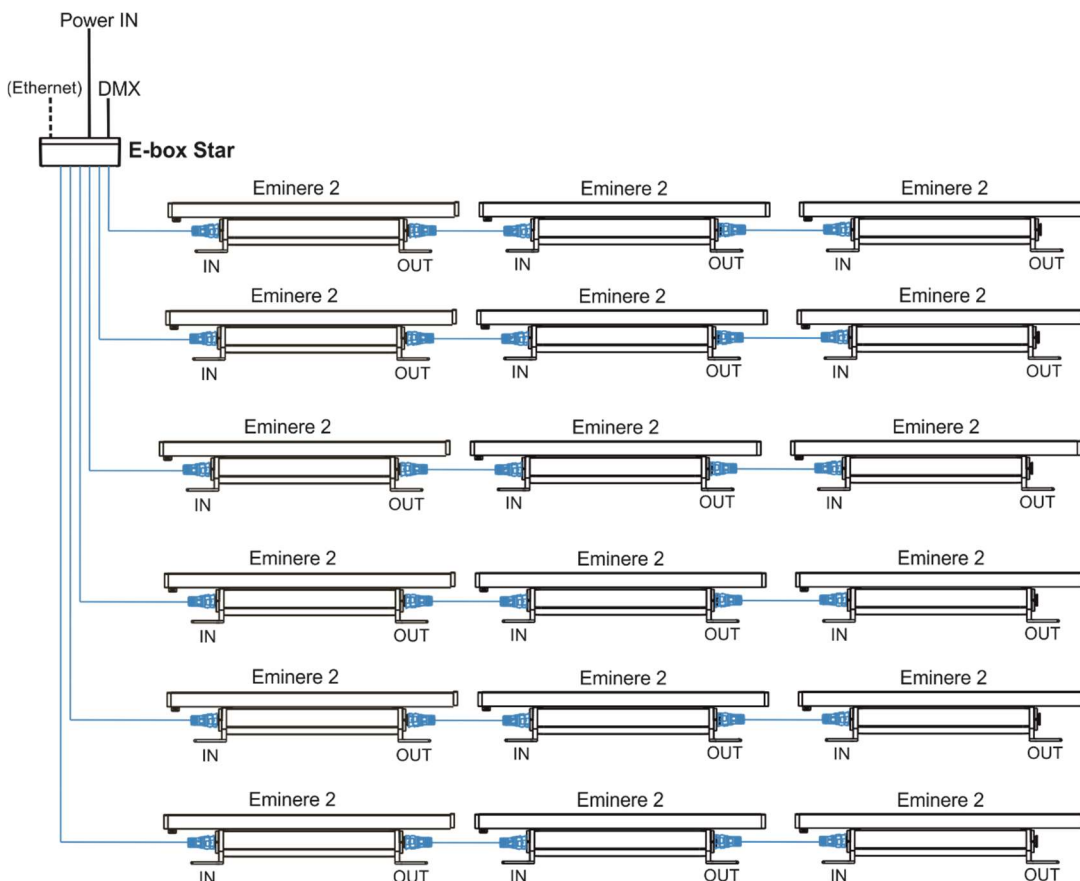
Examples of connection for various versions of the E-box.

Please read the E-box user manual for more information about its setting and connection to Eminere modules. Needed cables are stated in the chapter "Technical information".

E-box Daisy

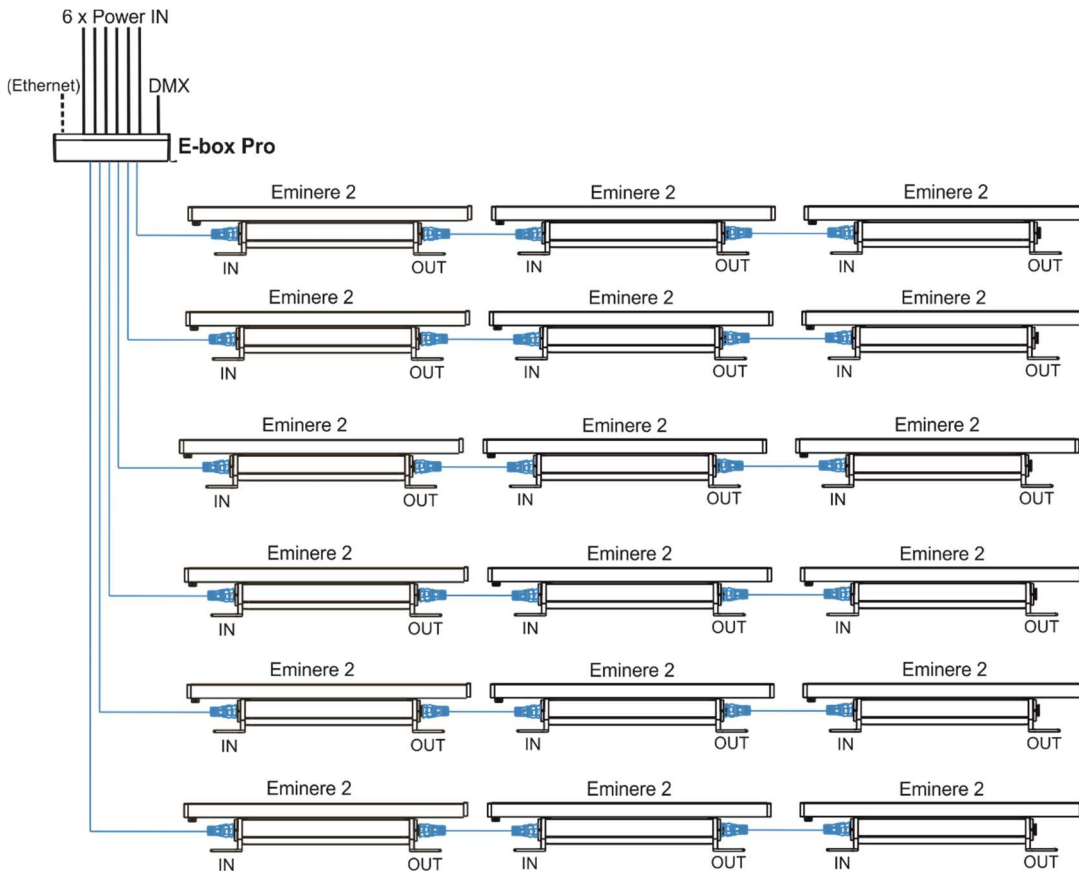


E-box Star

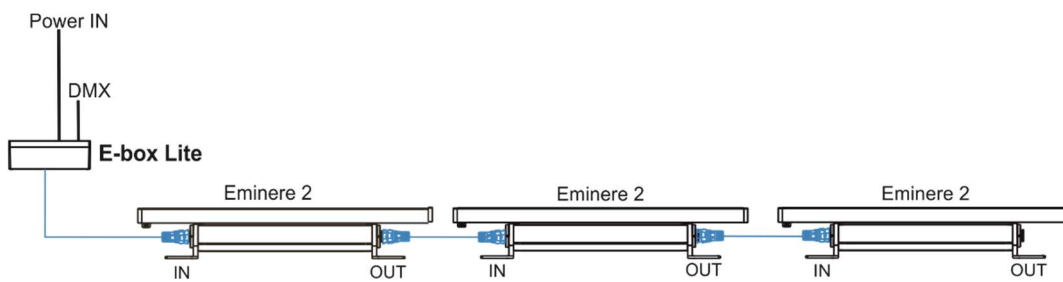


Eminere

E-box Pro



E-box Lite



4. Technical specifications

Power supply

- Electronic auto-ranging
- Input voltage: 100 - 277V AC, 50-60 Hz
- Power consumption:
 - Eminere 1: 25W
 - Eminere 2: 50W
 - Eminere 3: 70W
 - Eminere 4: 90W
- Inrush current:
 - Eminere 1: 50A/230V AC (cold start)
 - Eminere 2: 55A/230V AC (cold start)
 - Eminere 3: 55A/230V AC (cold start)
 - Eminere 4: 70A/230V AC (cold start)

Optic

- Light source:
 - Eminere 1: 12 x high power LEDs
 - Eminere 2: 24 x high power LEDs
 - Eminere 3: 36 x high power LEDs
 - Eminere 4: 48 x high power LEDs
- Colour variants: RGBW, RGBA, single colour
- Beam angles: assymetric wallwasher, 9°, 15°, 30°, 50°, 65°, 100°, 10°x30°, 10°x60°, 35°x70°, 15°x90°
- Projected LED Life: 120.000 Hrs (L70@25°C)

Compatible drivers

- E-box Daisy
 - 1 single output
 - 1 Main power Input
 - Control: DMX, Art-Net, sACN , W-DMX control, RDM
 - Pixel control (1px= 1ft)
 - 100-277V Input
 - Connection via screw terminal, inlets via grommet
 - IP67
- E-box Star
 - 6 outputs
 - 1 Main power Input
 - Control: DMX, Art-Net, sACN , W-DMX control, RDM
 - Pixel control (1px= 1ft)
 - 100-277V Input
 - Connection via screw terminal, inlets via grommet
 - IP67
- E-box Pro
 - 6 outputs
 - 6 Main power Inputs
 - Control: DMX, Art-Net, sACN , W-DMX control, RDM
 - Pixel control (1px= 1ft)
 - 100-277V Input
 - Connection via screw terminal, inlets via grommet
 - IP67

Eminere

Mounting method

- Via two L-shape brackets
- LED module "tilt" adjustment range: $-95^{\circ}/+95^{\circ}$

Sizes

- Eminere 1 (300mm / 1ft)
- Eminere 2 (600mm / 2ft)
- Eminere 3 (900mm / 3ft)
- Eminere 4 (1200mm / 4ft)

Housing

- Aluminium extruded body with die-casted end caps
- Tempered glass

Cooling system

- Convection

Total heat dissipation

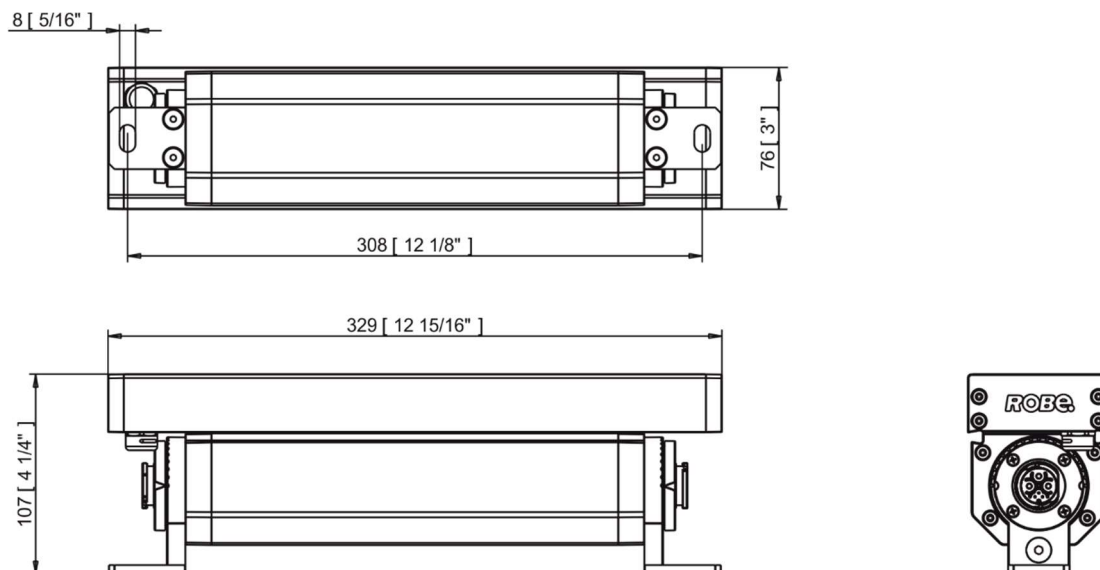
- Eminere 1: 85 BTU/h (calculated)
- Eminere 2: 171 BTU/h (calculated)
- Eminere 3: 256 BTU/h (calculated)
- Eminere 4: 307 BTU/h (calculated)

Weight

- 2.5 kg (5.5 lbs)
- 4.2 kg (9.3 lbs)
- 5.9 kg (13 lbs)
- 8.7 kg (19.1 lbs)

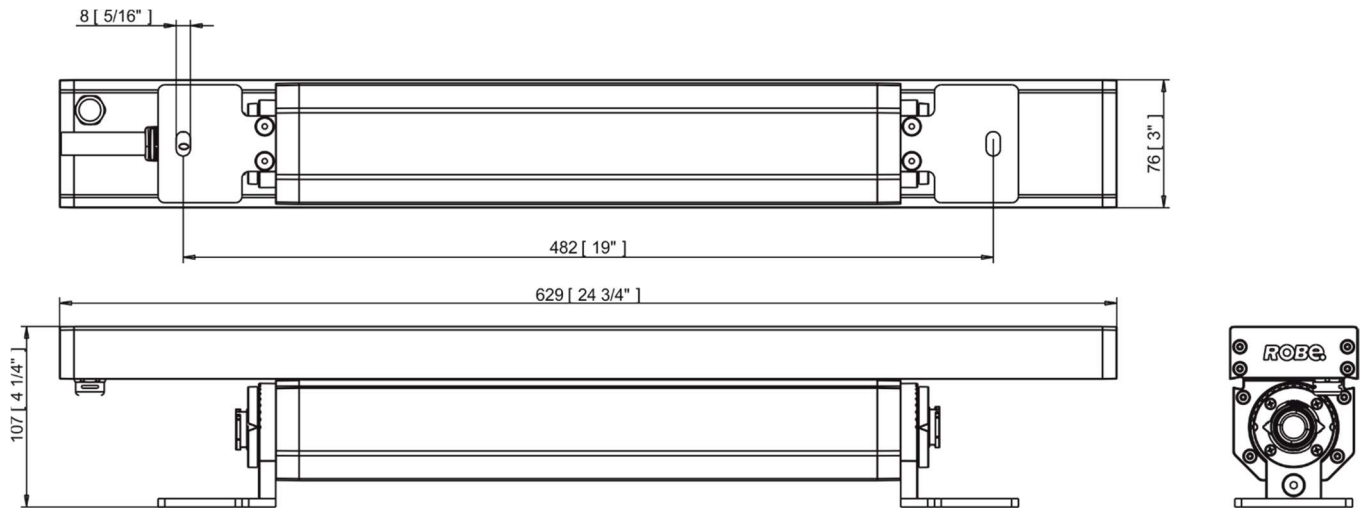
Dimensions (All dimensions in mm [inch])

- Eminere 1

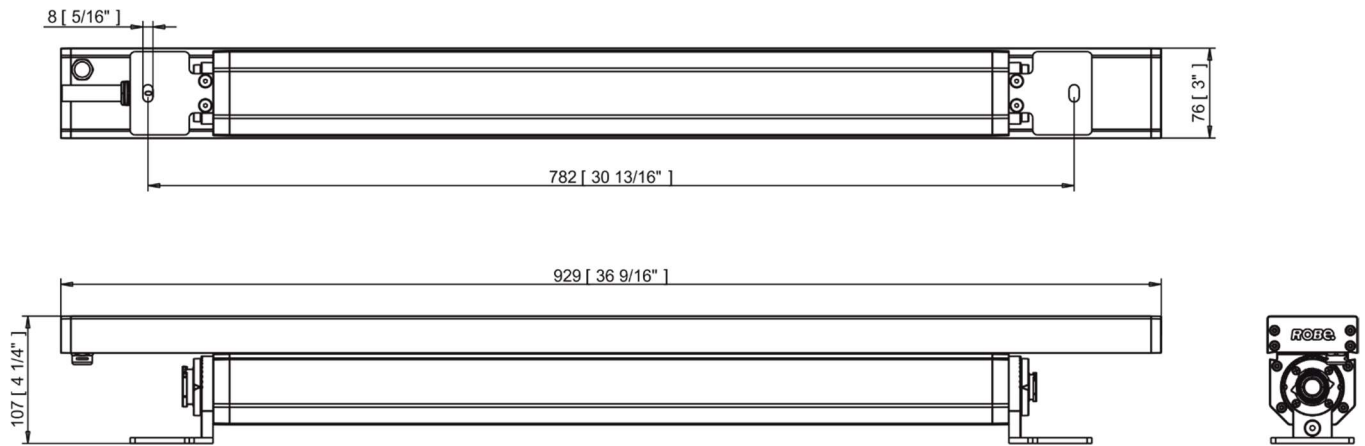


Eminere

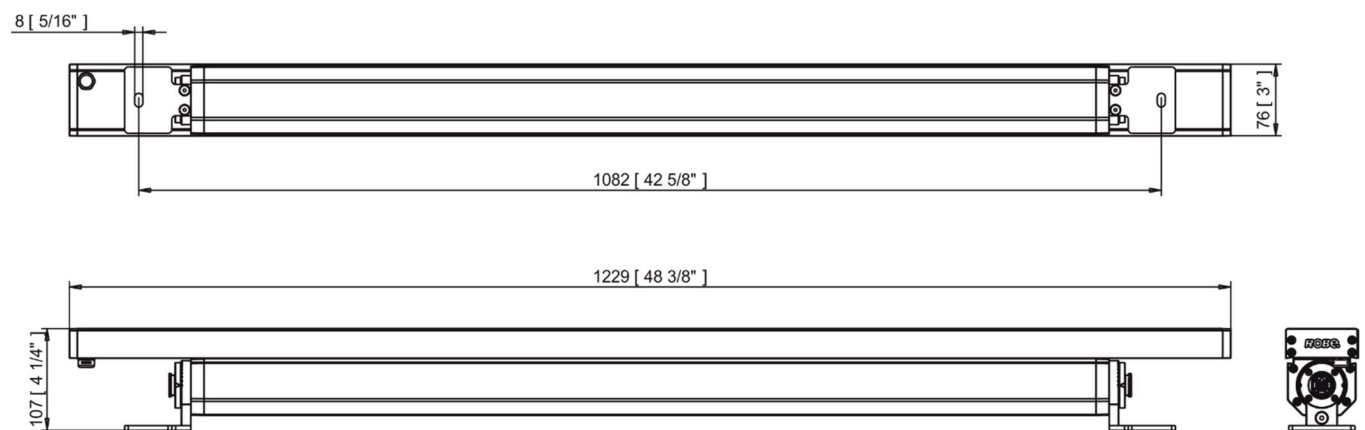
• Eminere 2



• Eminere 3



• Eminere 4



Protection factor

- CE: IP 67
- US: Suitable for wet location

Impact rating

- CE: IK06

Operating ambient temperature range

- -20°C /+40°C (-4°F /+104°F)

Operating temperature

- +67°C @ Ambient +40°C (+153°F @ Ambient +104°F)

Connection

- Input: panel connector Amphenol ABAB-DMQ06000021-IN (P/N13052952)
- Output: panel connector Amphenol ABAB-DAQ06000021 (P/N13052953) + water-tight cap

Included items

- 1 x Eminere
- 1 x User manual

Optional accessories

Leader cables	
P/N	Name
13053005	Cable CE Leader FF 2m ABB1-DFQ06
13053006	Cable CE Leader FF 5m ABB1-DFQ06
13053007	Cable CE Leader FF 10m ABB1-DFQ06
13053008	Cable CE Leader FF 25m ABB1-DFQ06
13053009	Cable CE Leader FF 50m ABB1-DFQ06
13053010	Cable US Leader FF 2m ABB1-DFQ06
13053011	Cable US Leader FF 5m ABB1-DFQ06
13053012	Cable US Leader FF 10m ABB1-DFQ06
13053013	Cable US Leader FF 25m ABB1-DFQ06
13053014	Cable US Leader FF 50m ABB1-DFQ06
13053015	Cable CE Leader MM 2m ABB1-DMQ06
13053016	Cable CE Leader MM 5m ABB1-DMQ06
13053017	Cable CE Leader MM 10m ABB1-DMQ06
13053018	Cable CE Leader MM 25m ABB1-DMQ06
13053019	Cable CE Leader MM 50m ABB1-DMQ06
13053020	Cable US Leader MM 2m ABB1-DMQ06
13053021	Cable US Leader MM 5m ABB1-DMQ06
13053022	Cable US Leader MM 10m ABB1-DMQ06
13053023	Cable US Leader MM 25m ABB1-DMQ06
13053024	Cable US Leader MM 50m ABB1-DMQ06
13053025	Cable CE Leader FM 2m ABB1-DBQ06
13053026	Cable CE Leader FM 5m ABB1-DBQ06
13053027	Cable CE Leader FM 10m ABB1-DBQ06

13053028	Cable CE Leader FM 25m ABB1-DBQ06
13053029	Cable CE Leader FM 50m ABB1-DBQ06
13053030	Cable US Leader FM 2m ABB1-DBQ06
13053031	Cable US Leader FM 5m ABB1-DBQ06
13053032	Cable US Leader FM 10m ABB1-DBQ06
13053033	Cable US Leader FM 25m ABB1-DBQ06
13053034	Cable US Leader FM 50m ABB1-DBQ06
13053035	Cable CE Leader MF 2m ABB1-DAQ06
13053036	Cable CE Leader MF 5m ABB1-DAQ06
13053037	Cable CE Leader MF 10m ABB1-DAQ06
13053038	Cable CE Leader MF 25m ABB1-DAQ06
13053039	Cable CE Leader MF 50m ABB1-DAQ06
13053040	Cable US Leader MF 2m ABB1-DAQ06
13053041	Cable US Leader MF 5m ABB1-DAQ06
13053042	Cable US Leader MF 10m ABB1-DAQ06
13053043	Cable US Leader MF 25m ABB1-DAQ06
13053044	Cable US Leader MF 50m ABB1-DAQ06
Jumper cables	
P/N	Name
13053045	Cable CE Jumper FF/FM 0,25m ABC1-DFQ06
13053046	Cable CE Jumper FF/FM 0,5m ABC1-DFQ06
13053047	Cable CE Jumper FF/FM 1m ABC1-DFQ06
13053048	Cable CE Jumper FF/FM 2m ABC1-DFQ06
13053049	Cable CE Jumper FF/FM 3m ABC1-FQ06
13053050	Cable CE Jumper FF/FM 5m ABC1-DFQ06
13053051	Cable CE Jumper FF/FM 10m ABC1-DFQ06
13053052	Cable US Jumper FF/FM 0,25m ABC1-DFQ06
13053053	Cable US Jumper FF/FM 0,5m ABC1-DFQ06
13053054	Cable US Jumper FF/FM 1m ABC1-DFQ06
13053055	Cable US Jumper FF/FM 2m ABC1-DFQ06
13053056	Cable US Jumper FF/FM 3m ABC1-DFQ06
13053057	Cable US Jumper FF/FM 5m ABC1-DFQ06
13053058	Cable US Jumper FF/FM 10m ABC1-DFQ06
13053059	Cable CE Jumper MF/FM 0,25m ABC1-DAQ06
13053060	Cable CE Jumper MF/FM 0,5m ABC1-FQ06
13053061	Cable CE Jumper MF/FM 1m ABC1-DFQ06
13053062	Cable CE Jumper MF/FM 2m ABC1-DFQ06
13053063	Cable CE Jumper MF/FM 3m ABC1-DFQ06
13053064	Cable CE Jumper MF/FM 5m ABC1-DFQ06
13053065	Cable CE Jumper MF/FM 10m ABC1-DFQ06
13053066	Cable US Jumper MF/FM 0,25m ABC1-DAQ06
13053067	Cable US Jumper MF/FM 0,5m ABC1-AQ06
13053068	Cable US Jumper MF/FM 1m ABC1-DAQ06
13053069	Cable US Jumper MF/FM 2m ABC1-DAQ06
13053070	Cable US Jumper MF/FM 3m ABC1-DAQ06
13053071	Cable US Jumper MF/FM 5m ABC1-DAQ06
13053072	Cable US Jumper MF/FM 10m ABC1-DAQ06

5. Cleaning and maintenance

DANGER !
Disconnect from the mains before starting any maintenance or cleaning work

Rinse off loose dirt with low pressure water spray. Wash the housing with a soft brush or sponge and a mild, non-abrasive washing detergent. Rinse it.

Maintenance and service operations are only to be carried out by a qualified person.

Should you need any spare parts, please use ROBE OEM parts.

5.1 Disposing of the product

To preserve the environment please dispose or recycle this product at the end of its life according to the local regulations and codes.

6. ChangeLog

This section summarizes changes in the user manual.

Version of the manual	Date of issue	Description of changes
1.1	07/10/2019	Inrush current added to chapter Technical Specifications

Specifications are subject to change without notice.

October 7, 2019

Copyright © 2019 Robe Lighting - All rights reserved

Made in CZECH REPUBLIC by ROBE LIGHTING s.r.o. Palackeho 416/20 CZ 75701 Valasske Mezirici