

## ArcPar™ 150 Outdoor

Client: \_\_\_\_\_

Specifier: \_\_\_\_\_

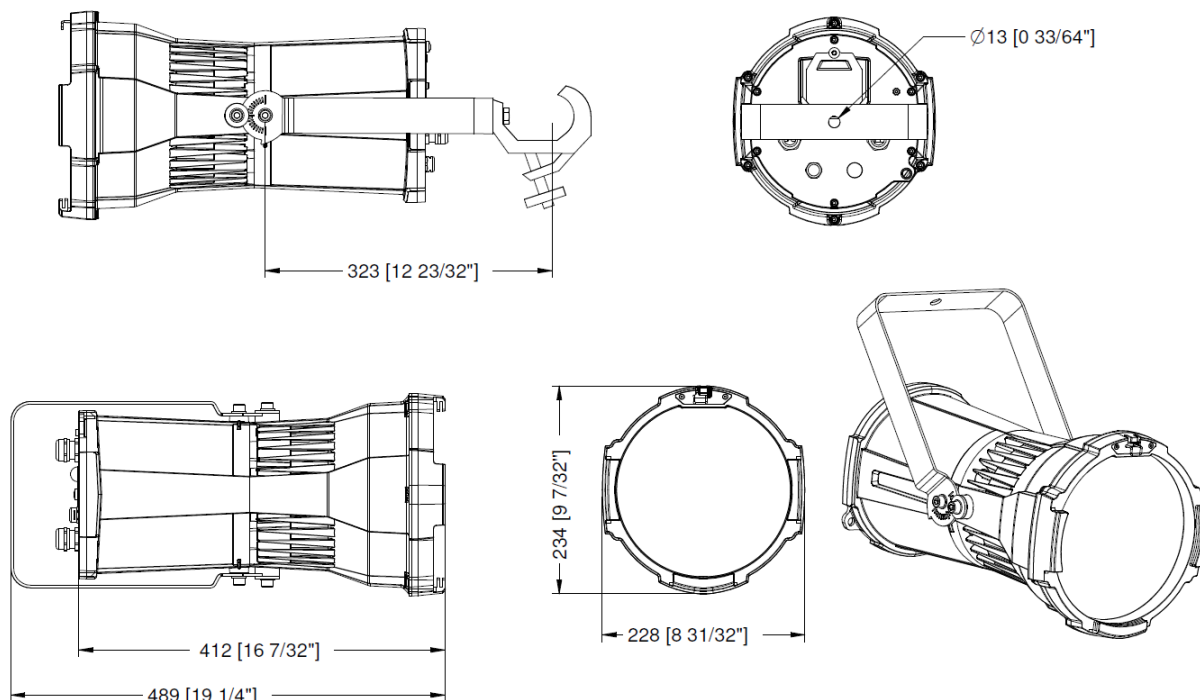
Project: \_\_\_\_\_

Type: \_\_\_\_\_ QTY: \_\_\_\_\_



### Features:

- Input Voltage: 100 – 277 V AC 50/60 Hz
- Power Consumption: 220 W +/- 10%
- Light Source: 7 x 40W Miltichip LEDs
- Lumen Output: 1.676 lm @ 40°
- Zoom range: 3.8° - 60°
- Projected LED life: 20.000 Hrs (L70@25 °C/77 °)
- Control: DMX512, RDM
- IP Rating: IP65
- 5 Years Warranty



## Specification:

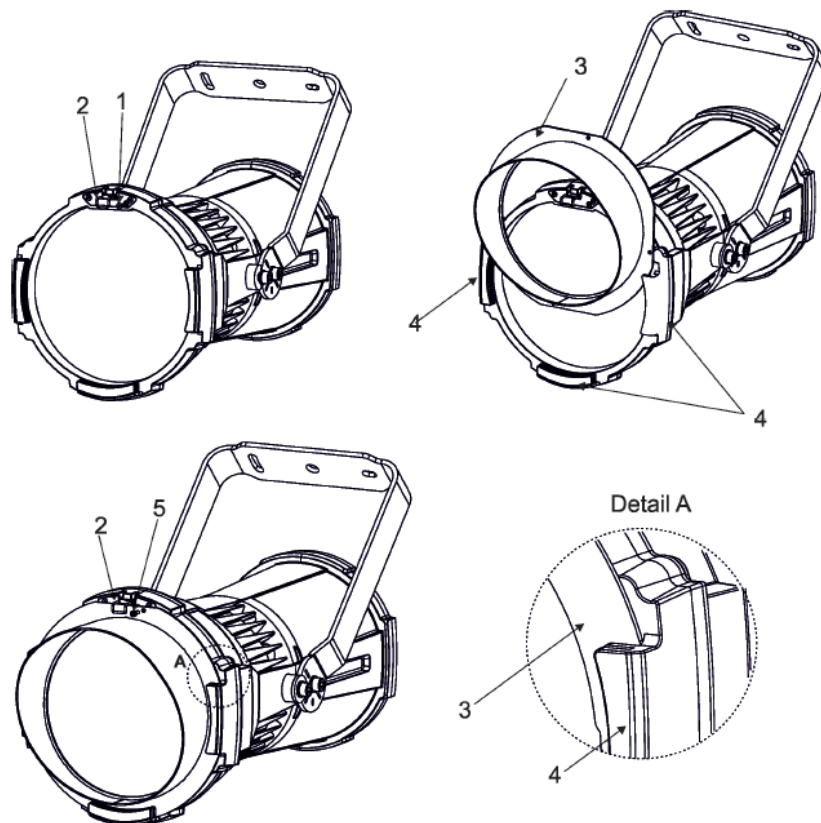
ELECTRICAL	Input Voltage	100 - 240 V AC 50/60 Hz (CE) 100 - 277 V AC 50/60 Hz (US)
	Typical Power Consumption	220 W +/- 10 %
OPTICAL	Light Source	7 x 40W Multichip LEDs
	Colour Variants	RGBW (W - 6500 K), RGBA
	Beam Angle	Zoom Range 3.8° - 60°
	Lumen Output Delivered	1.676 lm (RGBW @ 40°)
	Projected Lumen Maintenance	20.000 hrs (L70 @ 77 °F / 25 °C)
CONTROL	Display	2-Row LCD Display With Control Buttons
	Wireless DMX	Lumen Radio CRMX Technology (Optional)
	Interface Protocol	USITT DMX512, RDM
	Control System	Third Party DMX Controllers
	Operating Modes	DMX, Stand-alone
	DMX Modes	3
	DMX Channels	17, 11, 5
	Programs / Functions / Features	Virtual Color Wheel with 66 Preset Swatches
		Tungsten Dim Effect at Whites of 2700 K and 3000 K (Red Shift)
		18-bit Driving of LEDs (Super Smooth Color Mixing And Dimming)
Settings / Addressing	Via LCD Display with Control Buttons or RDM	
Power Supply	Integrated, Auto-Ranging	
PHYSICAL	Width x Height x Depth	228 x 234 x 412 mm (8.97 x 9.21 x 16.22 in.)
	Weight	7.5 kg / 16.5 lbs
	Housing	High Pressure Die-Cast Aluminium Body
		Tempered Glass
	Finish Options	Standard Colour - Graphite Black (RAL 9011), Silver (RAL 9006)
		Cost Option - Custom RAL
	Cables / Connections	Power Cable 1.2 m Bare End, DMX Cable IN / OUT 1 m With IP67 XLR - 5 pin
	Mounting Method	Yoke
	Adjustability	360°
	Protection Factor	IP65 / Suitable For Wet Locations
	IK Rating	IK06
	Cooling System	Convection
	Operating Ambient Temperature	-5 °C / +45 °C (23 °F / +113 °F)
Operating Temperature	+75 °C @ Ambient +45 °C (+176 °F @ Ambient +113 °F)	
CERTIFICATION	Listings	ETL / cETL, CE, RoHS

ACCESSORIES		Top Hat
		Half Top Hat
		Doughty Trigger Clamp
		Safety wire 35 kg

## Installation of Top Hat/ half Top Hat:

**Disconnect the fixture from mains before the top hat /half top hat installation!**

1. Unscrew the flat head screw M3x8 (1) and unlock the spring lock (2)
2. Insert top hat (3) into grooves in the accessory frame adaptor (4) (use groove closer to front glass).
3. Lock the spring lock (1) and secure the top hat (3) to the housing by screwing the Allen head screw M3x8 (5).



## Photometric overview

Beam Angle	Lumen Output (lm)
	RGBW
3.6°	824
42°	1 676