

Divine™ 72

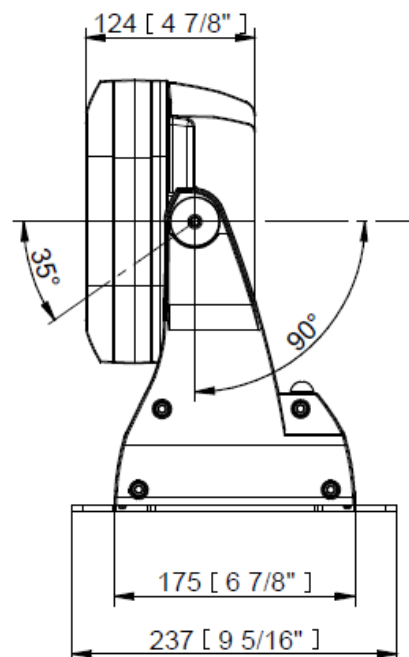
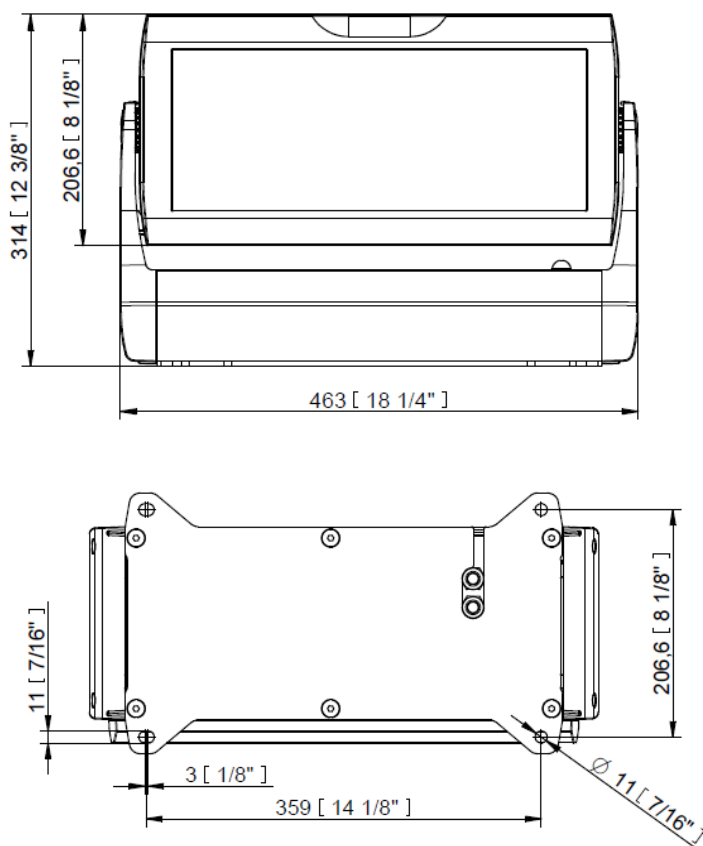
Client: _____ Specifier: _____

Project: _____ Type: _____ QTY: _____



Key features:

- Input Voltage: 100 – 277 V AC 50/60 Hz
- Power Consumption: 325 W +/- 10%
- Light Source: 72 x High Power Single Chip LEDs
- Peak Intensity: 6.573 lx @ 10 m
- Projected LED life: 60.000 Hrs (L70@25 °C / 77 °)
- Control: USITT DMX512, RDM, 0-10 V
- IP Rating: IP67



Specification:

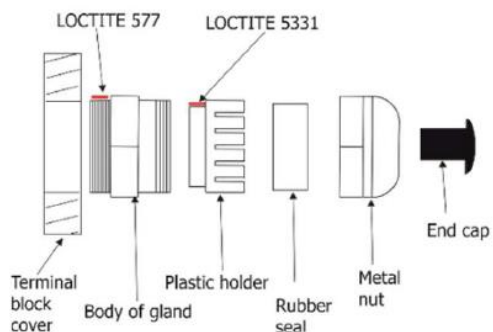
ELECTRICAL	Input Voltage	100 - 277 V AC 50/60 Hz
	Typical Power Consumption	325 W +/- 10 %
	Inrush Current	30 A @ 230 V, 20 A @ 115V
OPTICAL	Light Source	72 x High Power Single Chip LEDs
	Colour Variants	RGBW (W - 6500 K)
		Other Variants On Request
	Beam Angle	6°, 10°, 20°, 30°, 45°, 60°, 100°, 6° x 30°, 30° x 6°, 6° x 60°, 60° x 6°, 10° x 40°, 40° x 10°, 35° x 70°, 70° x 35°, 30° x 90°, 90° x 30°, 10° x 90°, 90° x 10°
	CRI	70+
	Peak Intensity	6.573 lx @ 10 m
	Lumen Output Delivered	10.228 lm (RGBW 6°, all LEDs on full)
Projected Lumen Maintenance	60.000 hrs (L70 @ 77 °F / 25 °C)	
CONTROL	Display	LED Display (Inside Integrated Junction Box)
		Chassis Mounted LED Display (Optional)
	Wireless DMX (Option)	Lumen Radio CRMX Technology
	Interface Protocol	USITT DMX512, RDM, 0-10 V
	Control System	Third Party DMX Controllers
	Operating Modes	DMX, Stand-alone
	DMX Modes	4
	DMX Channels	10, 14, 5, 4
	Programs / Functions / Features	Editable Program: 1 (up to 40 steps)
	Settings / Addressing	Via LED Display with Control Buttons or RDM
Power Supply	Integrated	
PHYSICAL	Width x Height x Depth	463 x 314 x 175 / 237 mm (18.2 x 12.4 x 6.9 / 9.3 in.)
	Weight	16.8 kg / 37 lbs
	Housing	High Pressure Die-Cast Aluminium Body
		Tempered Glass
	Finish Options	Standard Colour - Graphite Black (RAL 9011), Silver (RAL 9006)
		Cost Option - Custom RAL
	Cables / Connections	Integrated Junction Box With Terminal Block
		Recommended: Li9Y11Y 3 x AWG16 + 1(2 x AWG24)
	Mounting Method	Surface Mount, Flush (J-Box), C-Clamp (For Side Connection Only)
	Adjustability	+35° / -90°
	Protection Factor	IP67 / Suitable For Wet Locations
	IK Rating	IK10
	Cooling System	Convection
	Operating Ambient Temperature	-20 °C / +40 °C (-4 °F / +104 °F)
Operating Temperature	+85°C @ Ambient + 25°C (+185°F @ Ambient + 77°F)	
Total Heat Dissipation	1410 BTU/h (calculated)	
CERTIFICATION	Listings	ETL / cETL, CE, RoHS

ACCESSORIES		Surface Mount Adaptor (Included)
		Optical Demo Set for Divine 72
		Set of Rubber Feet
		C-Clamp Adaptor Divine (for side conn. only)
		Single Top Loader Case Divine

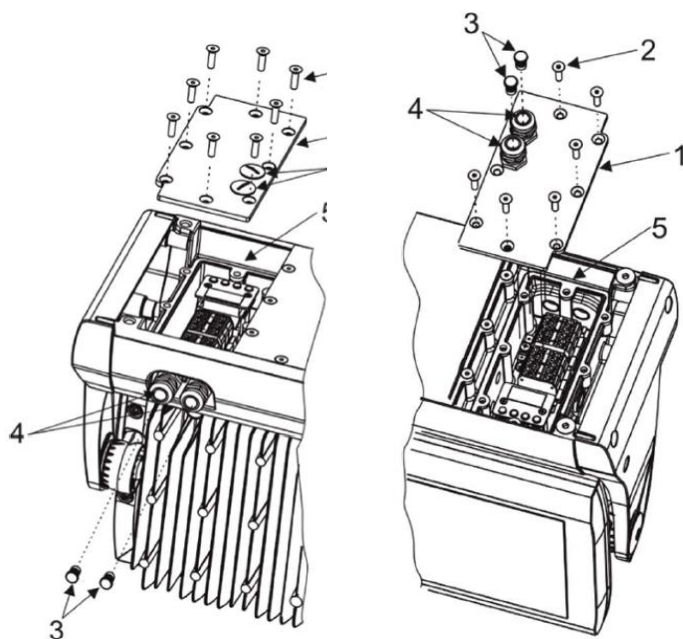
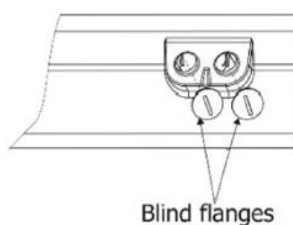
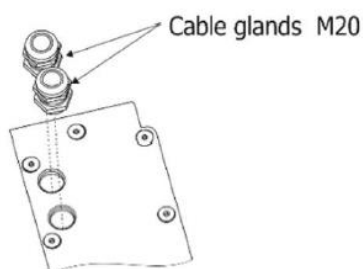
Connection:

1. Unscrew the eight screws (2) on the terminal block cover (1) to get access to the terminal block and control display (6) with four control buttons (7).
2. Unscrew both cable glands (4) from the terminal block cover (1) and both blind flanges (10) from the fixture base.
3. Apply an adequate layer of the paste LOCTITE 5331 on the plastic holder of the cable gland before inserting it into the body of the gland. Apply an adequate layer of the paste LOCTITE 577 on the thread of the gland body. Screw both cable glands (4) back into the terminal block cover (1) - see the picture below.
4. Apply an adequate layer of the paste LOCTITE 577 on the thread of the blind flange. Screw both blind flanges (10) back into the fixture base.
5. Pass the power/data cable through one cable gland (4) and connect to the terminal block.
6. Remove end cap (3) from cable glands before passing cable into the terminal block compartment. The two cable glands serve for cables of diameter of 5-10 mm.
To keep declared IP rating, every cable gland has to be covered with an end cap (3) if the cable gland is not used for cable passing.
7. After connecting cables and setting the fixture by means of the control display and four buttons, place the cover (1) on the terminal block back, make sure the seal (5) is inserted correctly.
8. Screw the terminal block cover (1) with eight screws using a tightening torque of 7Nm.
9. Check that all cable glands and screws and blind flanges are firmly secured.

Cable gland M20

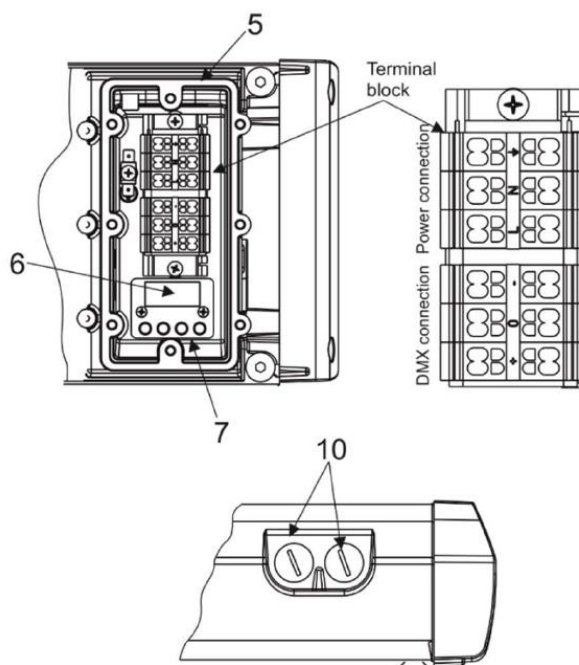


Blind flange



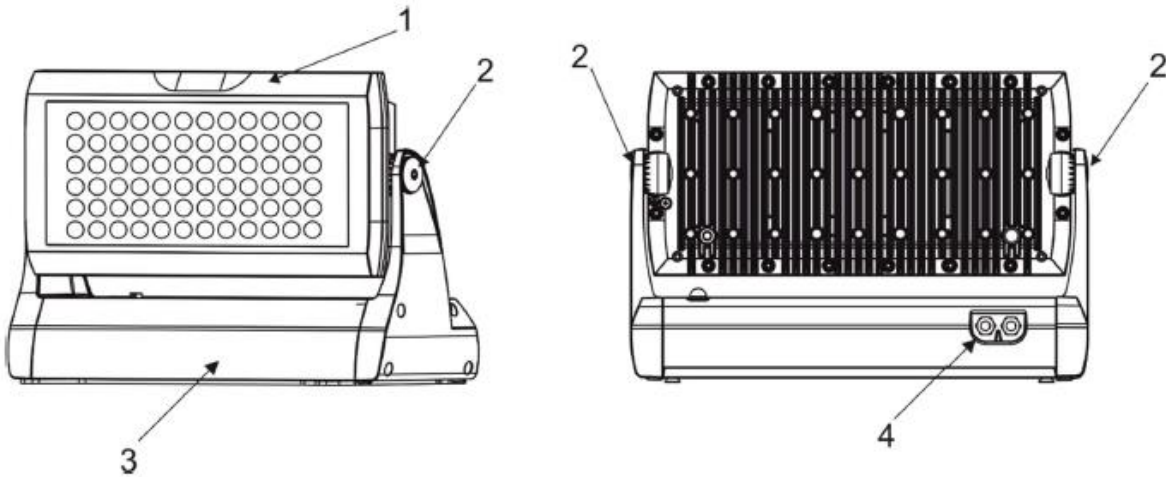
Side connection

Rear connection

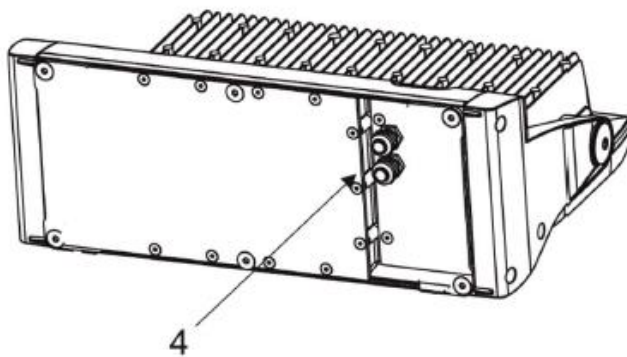


Labels:

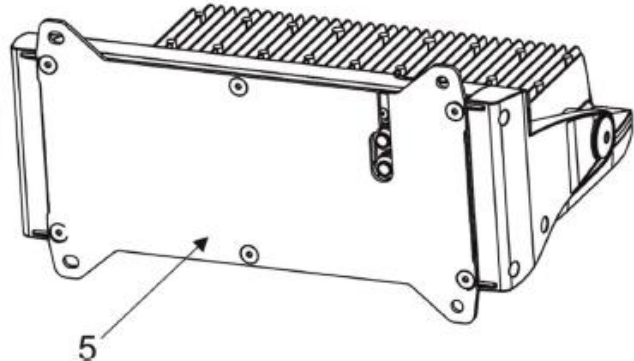
Side connection shown



Rear connection shown



Fixture with the Surface Mounting Adaptor



1. Head with LED array
2. Tilt lock
3. Base
4. Cable glands or blind flange (depends on fixture version)
5. Surface Mounting adaptor

Photometric overview:

Beam Angle	Lumen Output (lm)
	RGBW
6°	10 228
10°	9 288
20°	8 603
30°	8 061
45°	8 539
60°	8 913
100°	8 758
6° x 30°, 30° x 6°	8 350
6° x 60°, 60° x 6°	7 837
10° x 40°, 40° x 10°	8 025
10° x 90°, 90° x 10°	7 199
20° x 90°, 90° x 20°	11 022
30° x 60°, 60° x 30°	8 350
30° x 90°, 90° x 30°	8 536
35° x 70°, 70° x 35°	8 758