

E-Box™ Daisy

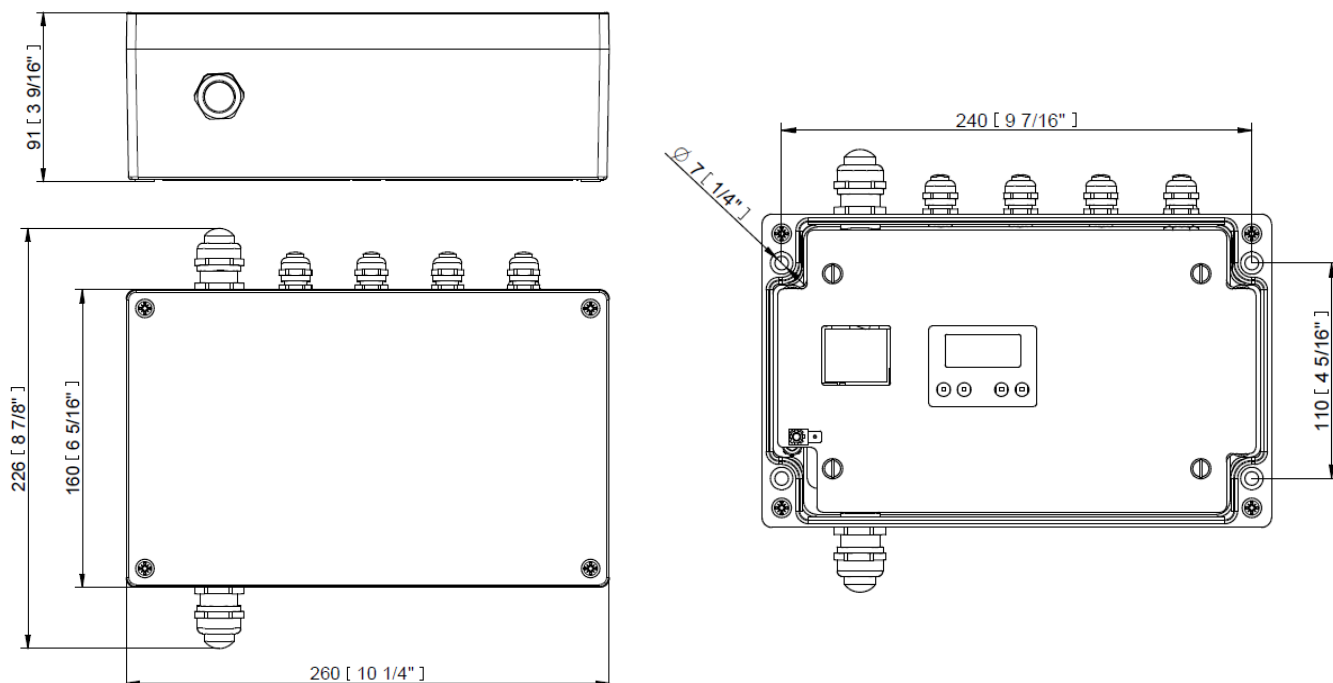
Client: _____ Specifier: _____

Project: _____ Type: _____ QTY: _____



Key features:

- Ideal for long run type installations
- One fixture output with up to 144 pcs of Emineres 1
- Stand-alone mode for quick and easy programming
- LCD display for setting and programming
- Multiple controlling protocols such as DMX512, RDM, ArtNet, MA Net, MA Net2, sACN, Kling-Net
- Wireless communication on demand
- Durable housing with IK10 and IP67

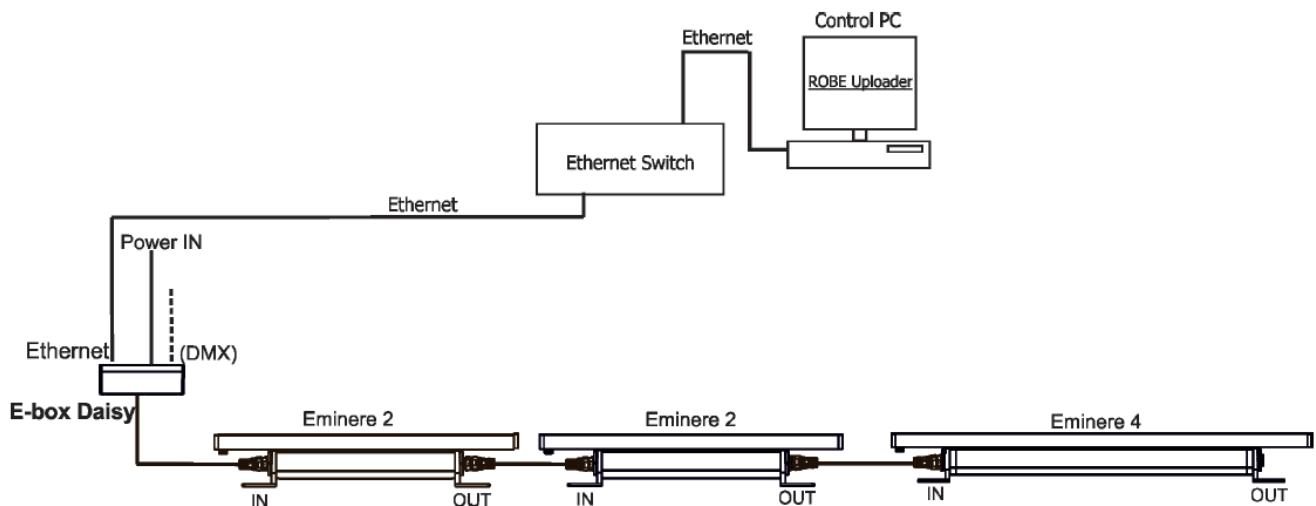


Specification:

ELECTRICAL	Input Voltage	120 - 277 V AC 50 / 60 Hz
	Typical Power Consumption	5W (self consumption)
	Max. Output Current	16A
CONTROL	Wireless DMX (Option)	Lumen Radio CRMX Technology
	Interface Protocol	USITT DMX512, RDM, ArtNet, MA Net, MA Net2, sACN, Kling-Net
	Operating Modes	DMX, Stand-alone
	Display	Two Row LCD and Control Buttons
PHYSICAL	Width x Height x Depth	260 x 185 x 91 mm (10.23 x 7.28 x 3.58 in.)
	Weight	3.6 kg / 7.9 lbs
	Number of LED Output zones	1
	Max. Load Per Output	144 pcs of Eminere 1 with 40 m total cable length @ 230 V
		78 pcs of Eminere 2 with 30 m total cable length @ 230 V
		53 pcs of Eminere 3 with 30 m total cable length @ 230 V
		40 pcs of Eminere 4 with 30 m total cable length @ 230 V
	DMX Modes	Pixel Mode, Line Mode
	Editable Programs	3 (up to 40 steps each)
	Eminere Output Connection	Leader Cable - Combo Power and Data
	Finish Options	Standard Colour - Graphite Black (RAL 9011), Silver (RAL 9006)
		Cost Option - Custom RAL, Harsh Environment (RAL 9016, RAL 9011)
	Mounting Method	4 Mounting Holes
	Protection Factor	IP67, Suitable For Wet Location
IK Rating	IK10	
Cooling System	Convection	
Operating Temperature Range	-20 °C / +40 °C (-4 °F / +104 °F)	
CERTIFICATION	Listings	ETL / cETL, CE, RoHS

Connection:

By means of the Ethernet connection.



By means of the Robe Universal Interface (Robe Universal Interface WTX).

