

ArcSource™ Outdoor 4MC

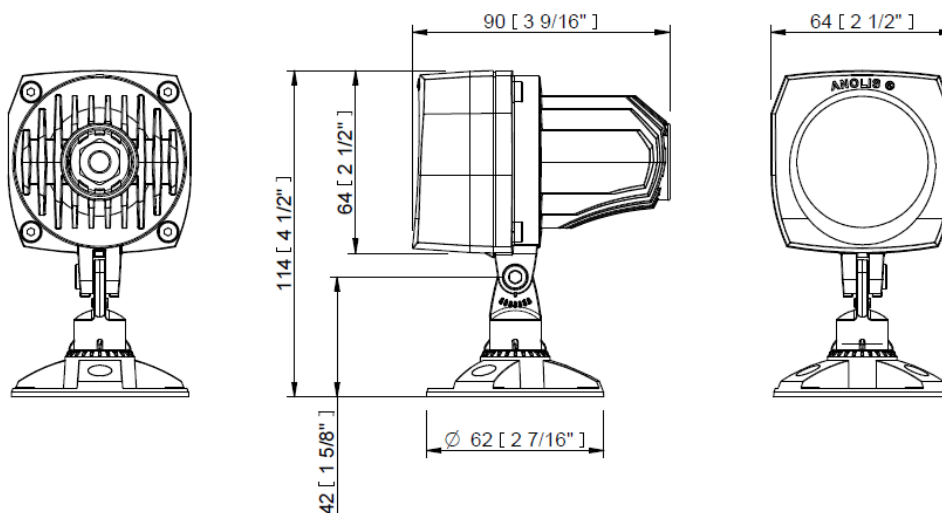
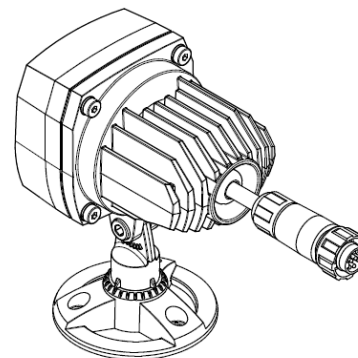
Client: _____ Specifier: _____

Project: _____ Type: _____ QTY: _____



Key features:

- Perfect for lighting of building features and landscape scenarios
- White or colour changing fixture, with a wide range of mounting options
- Lumen output max. 305 lm
1 x 15 W Multichip LED
- Projected lumen maintenance about 50.000 hrs (L70)
- Typical power consumption: 10W



Specification:

ELECTRICAL	Typical Power Consumption	6 W (@ 350 mA), 10 W (@ 700 mA)	
	Max. Input Current	350 mA or 700 mA Per Channel	
OPTICAL	Light Source	1 x 15 W Multichip LED	
	Colour Variants	RGBW (W - 6500 K), RGBA, PW (W - 3000 K)	
	Beam Angle	7°, 13°, 20°, 30°, 40°, 60°, 90°, 7°x30°, 30°x7°, 7°x60°, 60°x7°, 35°x70°, 70°x35°, 10°x90°, 90°x10°	
	Lumen Output Delivered	305 lm (RGBW 7° W - 6500 K, all LEDs on full, 700 mA)	
	Projected Lumen Maintenance	50.000 hrs (L70 @ 25 °C / 77 °F)	
CONTROL	Display	No Display	
	Power Supply	ArcPower range	
PHYSICAL	Width x Height x Depth	64 x 114 (145) x 90 mm (2.52 x 4.49 (5.71) x 3.54 in.)	
	Weight	0.62 kg / 1.37 lbs	
	Housing	High Pressure Die-Cast Aluminium Body	
		Tempered Glass	
	Finish Options	Standard Colour - Graphite Black (RAL 9011), Silver (RAL 9006)	
		Cost Option - Custom RAL	
	Cables / Connections	LiYY 8 x AWG22 - 0.5 m Long (1.64 ft) - IP67 Connector	
	Mounting Method	Mounting Plate, Land Spike (optional)	
	Adjustability	+/- 60°, with Adaptor Stand +80°/ -90°	
	Protection Factor	IP67 / Suitable For Wet Locations	
	Cooling System	Convection	
Operating Ambient Temperature	-20 °C / +45 °C (-4 °F / +113 °F)		
Operating Temperature	+75 °C @ Ambient +45 °C (+167 °F @ Ambient +113 °F)		
CERTIFICATION	Listings	ETL / cETL, CE, RoHS	

ACCESSORIES	Adapter Stand 100 mm for ASO 4 MC
	Land Spike Single (100mm)
	Land Spike Twin (100mm)
	Land Spike Single (500mm)
	Land Spike Twin (500mm)
	Land Spike Triple (500mm)
	Top Hat ArcSource Outdoor 4 MC
	Half Top Hat ArcSource Outdoor 4 MC
	Twin Wall Cover for ASO 4 MC, flat
	Floor Stand for Land Spike, for ASO 4 MC
	Pipe Clamp for ArcSource Outdoor 4MC, 1/2"
	Extension cable CGR8-F/RJ45 (indoor)
	Extension cable CGR8 F/M (outdoor)
	Connector Chogori 8-pin (Male, Female)
	T - Connector Chogori 8-pin
	Connector Waterproof Cap (Male, Female)
Optical Demo Set for ArcSource Outdoor 4 MC	



Land Spike Twin



Adapter Stand



Floor Stand for Land Spike

Photometric overview:

Beam Angle	Lumen Output (lm)		
	RGBCW (6500 K)	RGBA	PW (3000 K)
7°	305	269	305
13°	305	269	305
20°	301	266	301
30°	300	265	300
40°	299	264	299
60°	298	263	298
90°	291	257	291
7° x 30°, 30° x 7°	293	259	293
7° x 60°, 60° x 7°	289	255	289
35° x 70°, 70° x 35°	292	258	292
10° x 90°, 90° x 10°	272	240	272