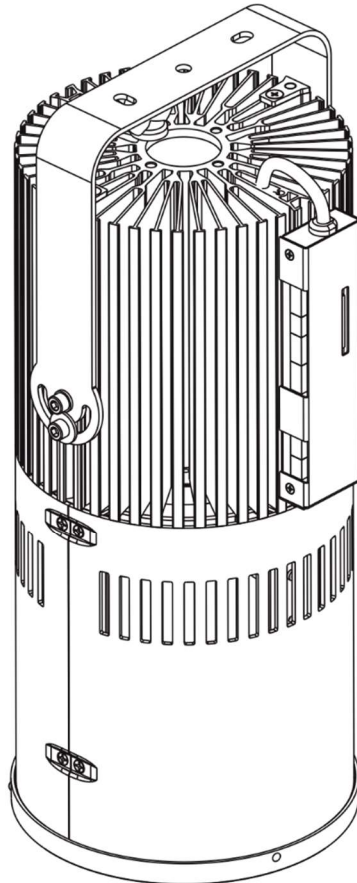


# Ambiane XP56 Recessed



Version 1.7

## Table of contents

1. Attention.....	3
2. Installation .....	4
2.1. DMX and DALI address setting and control.....	7
2.2 0-10V control .....	8
3. RDM .....	8
4. DMX protocol.....	8
5. Technical specifications .....	9
6. Cleaning and maintenance .....	11
6.1 Software update .....	12
6.2 Disposing of the product .....	15

## 1. Attention

The unit must be installed by a qualified electrician in accordance with all national and local electrical and construction codes and regulations.

The unit was designed for indoor use only.

Do not install the unit near highly inflammable liquids or materials.

Do not allow anything to rest on the unit.

Do not install the unit near an open flame.

Do not install the unit in dirty, dusty or badly ventilated location.

A ceiling (structure) intended for installation of the unit(s) must safely hold weight of the unit(s) placed on it.

Sufficient air accessing to the housing of the unit has to be ensured, there must not be any heat or anti-noise insulation within a 1m x 1m area around the unit (non-IC rated fixture).

Avoid looking directly into the light beam at close range!



Suitable for fastening on  
non-flammable surfaces only



Unsuitable for covering by heat insulation  
material

Immunity of the equipment is designed for electromagnetic environments E1, E2, E3 according to the standard EN55103-2 ed.2 Electromagnetic compatibility. Product family standard for audio, video, audiovisual and entertainment lighting control apparatus for professional use. Part 2: Immunity.

The equipment (covers and cables) must not be exposed to a high frequency electromagnetic field higher than 3V/m.

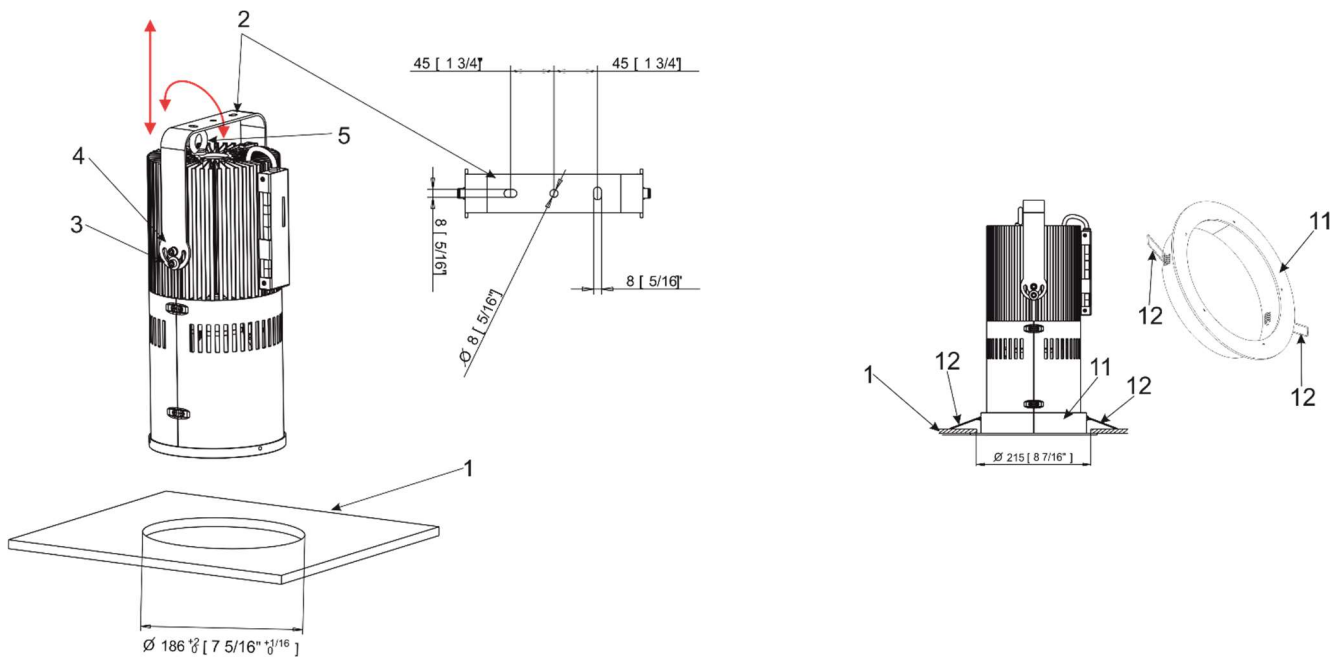
The installation company should check levels of possible interferences above the tested levels E1,E2,E3 given by this standard (e.g. transmitters in surrounding area) before installing the equipment.

Emission of the equipment complies with the standard EN55032 Electromagnetic compatibility of multimedia equipment – Emission Requirements according to class B.

## 2. Installation

**Always switch off power supply of the unit before connecting or disconnecting the unit**

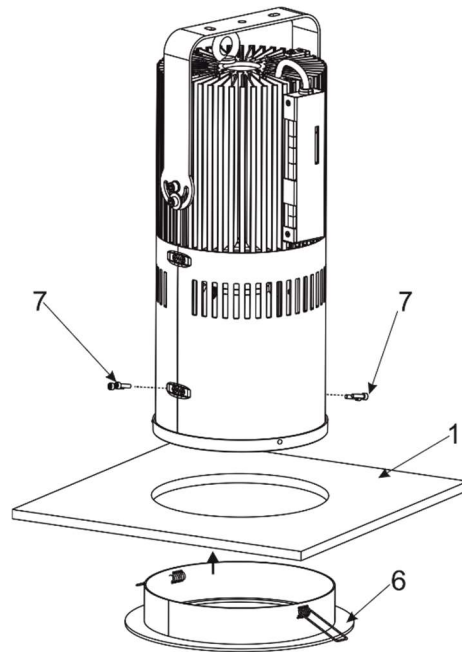
1. Prepare a circular opening (diameter of 186mm) in the lower ceiling (1) as shown on the picture below. If you will use the trim (11), this circular opening in the lower ceiling has to be of diameter of 215mm. The trim is slidden onto the Ambiane XP56 and secured by means of two springs (12).
2. The U-holder (2) with three holes serves for fastening the Ambiane XP56 to the ceiling (construction). To move the U-holder (2) up/down, release both screws (3), (4) on each side of the unit. To tilt the U-holder in range of +/-90° from the vertical axis, release the screw (3) on each side of the unit. Use the Allen key 5 to release/tighten screws (3) and (4). The mounting lug (5) serves for a secondary securing of the Ambiane XP56 to the ceiling (construction).



3. The mounting adaptor (optional part) serves for covering of the opening in the lower ceiling (1) if it is needed. In order to install the mounting adaptor (6), unscrew two screws (7) on each side of the Ambiane XP56 and insert the mounting adaptor (6) into the housing of the Ambiane XP56 and secure it by means of the four screws (7).

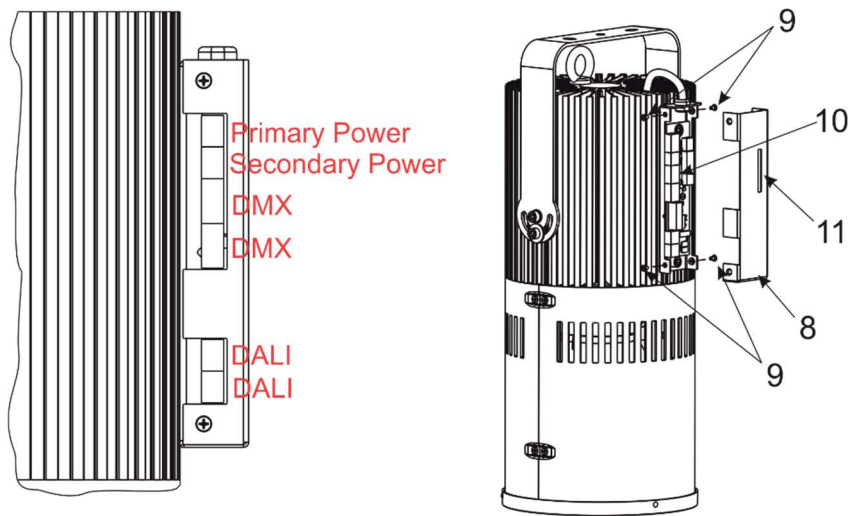
Note: The mounting adaptor has to be under lower ceiling before its inserting into the housing of the Ambiane XP56.

## Ambiane XP56 Recessed



4. Connect cables to the Ambiane XP56

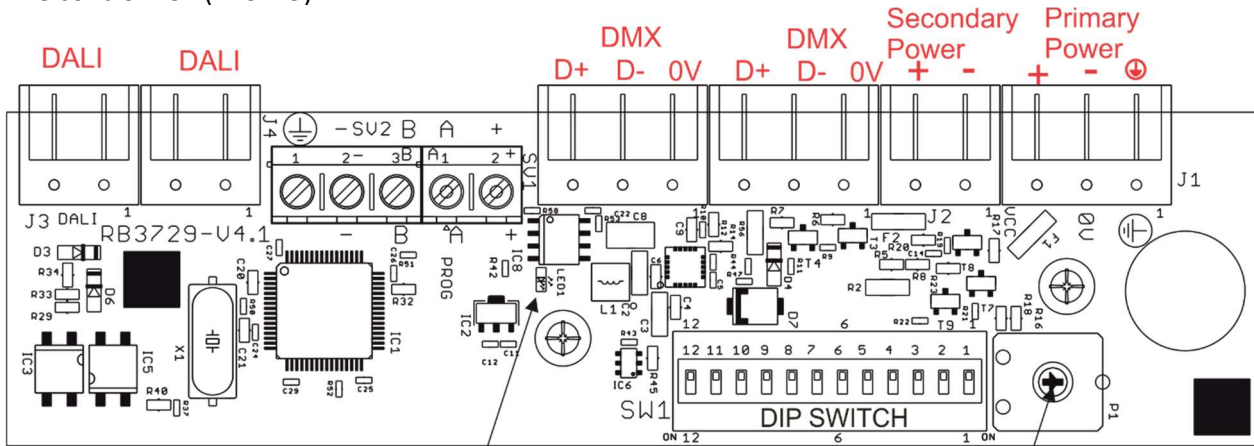
5. If you need access to the control PCB RB3729 (10), unscrew the four screws (9) on the cover (8).



Note: the aperture (11) allows you to access to the Dip switch.

## Ambiane XP56 Recessed

The control PCB (RB3729)



The green LED on the PCB signals way of DMX address setting:  
 LED lights-DMX address is set by means of the DIP switch.  
 LED does not light- DMX address is set by means of RDM.

Trimmer for light intensity setting (for Secondary Power only)

The primary power input serves for a standard power (e.g. Ambiane Power XP).

The secondary power input serves for a backup power (in case that primary power failed).

If both power inputs are under voltage, the primary power has a priority and the secondary power is disabled. In case of primary power loss, the secondary power is enabled.

If the fixture is supplied via the secondary power, the light output of the fixture is a white colour 3200K (RGBW, TW version) and its light intensity can be set by a trimmer.

The fixture can be controlled by one of the following methods: DMX 512

DALI

0-10V (for PW or TD version only)

The fixture is equipped with two DMX and DALI connection blocks for easy connection to DMX or DALI chain (In/Out method).

### DMX connection

Connector	Function
0V	Shield
D+	Data (+)
D-	Data (-)

### Power connection

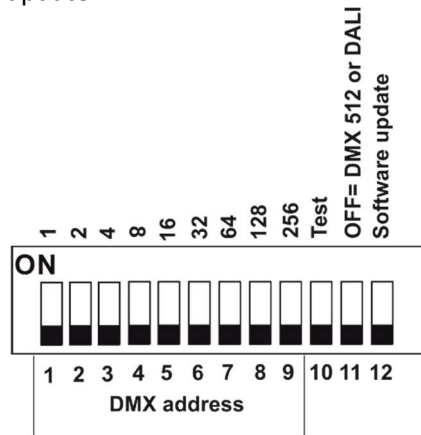
Connector	Function
+	Power +
-	Power -

### 0-10V connection

Connector	Function
0V-	0V
D+	+10V

## 2.1. DMX and DALI address setting and control

The DIP switch on the control PCB, allows you to set DMX address, run a test light and switch the fixture to the update mode in case of software update.



- DIP 10 - if switched to ON=test light (the fixture lights at 3200K (for RGBW and TW version))
- DIP 11 - has to be switched to OFF position to receive DMX 512 or DALI, position ON=0-10V
- DIP 12 - change from OFF to ON position switches the fixture to the update mode.

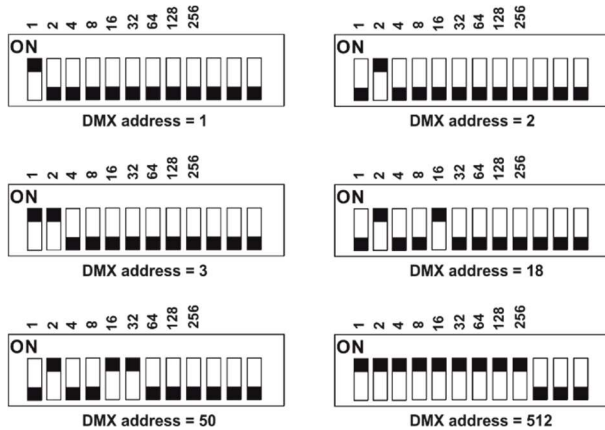
### DMX control

The DMX start address, is the first channel used to receive instructions from the DMX controller. The address may be any channel from 1 to 509. DMX address can be set either by DIP switch or by RDM. DMX address set by RDM overwrites address set by DIP switch and vice versa. The green LED on PCB signals way of DMX address setting:

- LED lights-DMX address is set by means of the DIP switch.
- LED does not light- DMX address is set by means of RDM.

The DIP 11 has to be set to OFF position.

Example of DMX addresses:



### DALI control

Addressing of the fixture has to be made by means of an external DALI controller. The external DALI controller has to send activating command (8=ON) if you need to start the permanent control of the fixture (fixture will not respond to DMX commands) and deactivating command (0=OFF) to stop the control of the fixture.

DIP 11 has to be set in OFF position.

Note: If DIP 11=OFF (fixture is controlled by DMX or DALI), the first coming command switches the fixture to the corresponding operation mode (DMX operation by a DMX command, DALI operation by a DALI command). E.g. the fixture stays in a DALI operation and coming DMX command switches the fixture to DMX operation. Next command

is a DALI command and switches the fixture to the DALI operation etc. If you need the permanent DALI operation, you have to send a DALI command 8 to the fixture.

## 2.2 0-10V control

DIP 11 has to be set in ON position. 0-10V operation has priority to DALI commands. The option is applicable for the Ambiane XP56 Recessed PW and the Ambiane XP56 Recessed TD only.

## 3. RDM

This fixture supports RDM operation. RDM (Remote Device Management) is a bi-directional communication protocol for use in DM X512 control systems, it is the new open standard for DMX512 device configuration and status monitoring.

RDM allows you to set a DMX address, select DMX mode, readout software version of the fixture. It is also used for fixture software update by means of the Robe Uploader

## 4. DMX protocol

Variant RGBW, version 1.0

Mode 1 Channel	Mode 2 Channel	Mode 3 Channel	DMX value	Function	Type of control
1	1	1	0-255	<b>Red</b> Red LEDs saturation control (0-100%)	proportional
-	-	2	0-255	<b>Red Fine</b> Red LEDs saturation control (min.-max.)	proportional
2	2	3	0-255	<b>Green</b> Green LEDs saturation control (0-100%)	proportional
-	-	4	0-255	<b>Green Fine</b> Green LEDs saturation control (min.-max.)	proportional
3	3	5	0-255	<b>Blue</b> Blue LEDs saturation control (0-100%)	proportional
-	-	6	0-255	<b>Blue Fine</b> Blue LEDs saturation control (min.-max.)	proportional
4	4	7	0-255	<b>White</b> White LEDs saturation control (0-100%)	proportional
-	-	8	0-255	<b>White Fine</b> White LEDs saturation control (min.-max.)	proportional
-	5	9	0-255	<b>Dimmer</b> Light intensity coarse (0 -100%)	proportional
-	6	10	0-255	<b>Dimmer Fine</b> Light intensity fine (min.-max.)	proportional

DMX mode has to be set by RDM.



## Ambiane XP56 Recessed

Variant TW, version 1.0

Mode 1 Channel	DMX value	Function	Type of control
1	0-255	<b>White colour selection</b> White from Warm-->Cool	proportional
2	0-255	<b>Dimmer coarse</b> Light intensity coarse (0-100%)	proportional
3	0-255	<b>Dimmer fine</b> Light intensity fine (0-100%)	proportional

Variant PW, TD version 1.0

Mode 1 Channel	DMX value	Function	Type of control
1	0-255	<b>Dimmer coarse</b> Light intensity coarse (0-100%)	proportional
2	0-255	<b>Dimmer fine</b> Light intensity fine (min.-max.)	proportional

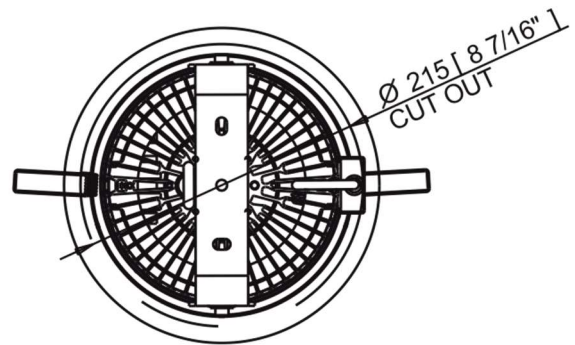
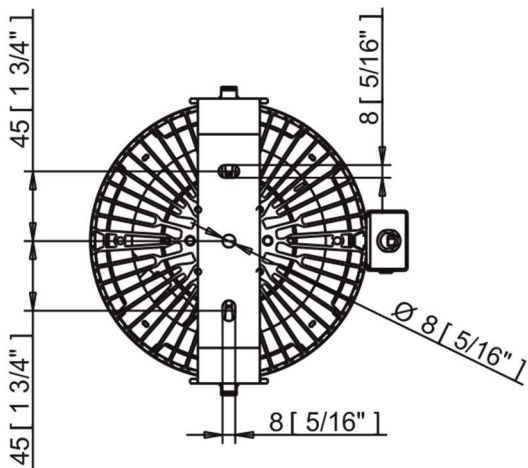
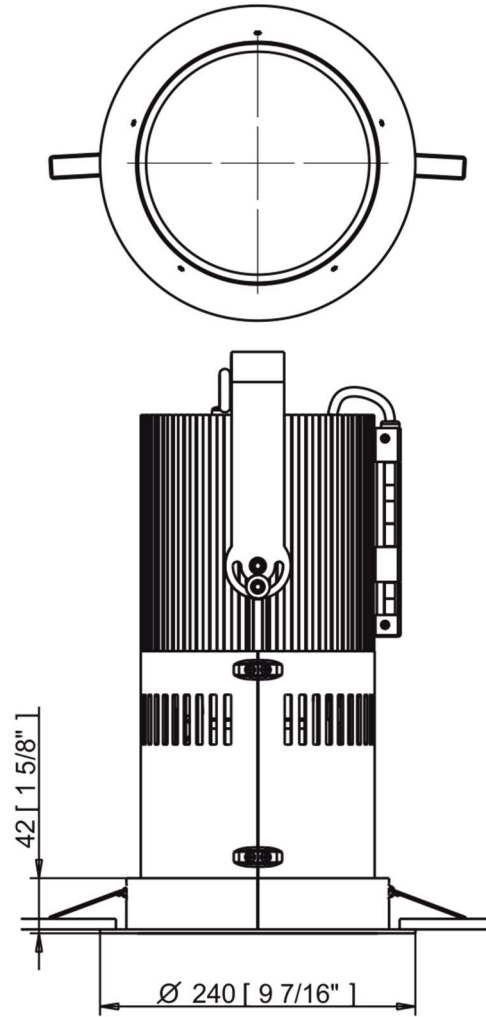
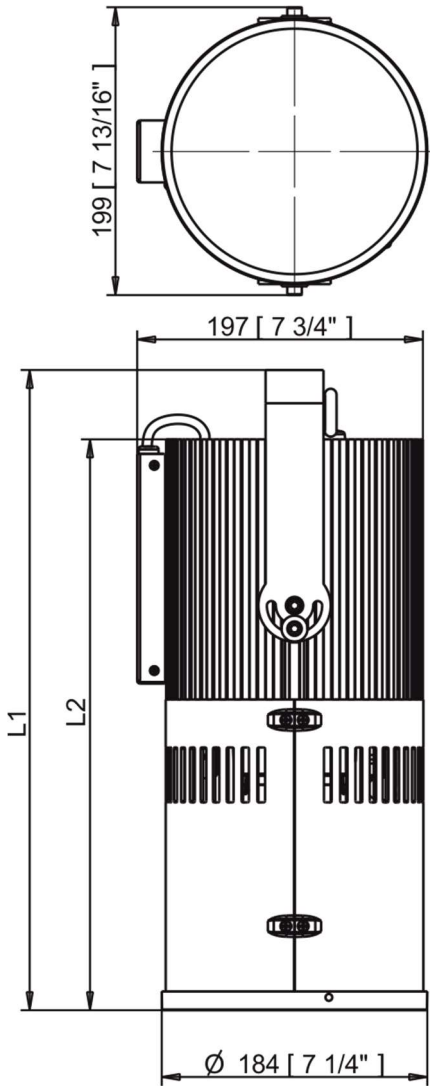
## 5. Technical specifications

Input voltage:	48V DC
Max. power consumption:	150W
Light source:	High Power LED module
Beam angle:	20°, 30°,45°, 60°
Projected Lumen Maintenance:	60.000 hrs (L70 @ 25 °C / 77 °F)
Colour Variants:	RGBW (W - 2700K or 4000K), PureWhite, Tunable White, Tungsten Dim
CRI:	90+
Control:	DMX, DALI , RDM, 0-10V
Settings/Addressing:	DIP Switch, RDM
DMX channels:	4 (Mode 1), 6 (Mode 2), 10 (Mode 3)
Power supply:	Ambiane Power XP or third party constant voltage 48 V/150W power supply
Operating ambient temp. range:	-20 °C / +40 °C (-4 °F / +104 °F)
Operating Temperature:	+70 °C @ Ambient +40 °C (158 °F @ Ambient 104°F)
Total heat dissipation:	512 BTU/h (calculated)
Cooling:	convection
Housing:	High Pressure Die-Cast Aluminium Body
Weight:	
Ambiane XP56 20°	8.3 kg/ 18.3 lbs
Ambiane XP56 30°	8.3 kg/ 18.3 lbs
Ambiane XP56 45°	7.8 kg/ 17.2 lbs
Ambiane XP56 60°	7.7 kg/ 17 lbs
Installation method:	Recessed, via mounted bracket
IC rating:	non-IC rated
Power/DMX/DALI connection:	terminal blocks (Phoenix Contact BCH-500HS-2GY/ BCH-500HS-3GN/ BCH-500HS-2GY)
Protection factor:	IP 2X

Ambiane XP56 Recessed

Dimensions  
mm [inch]

Ambiane XP56 Recessed with Trim

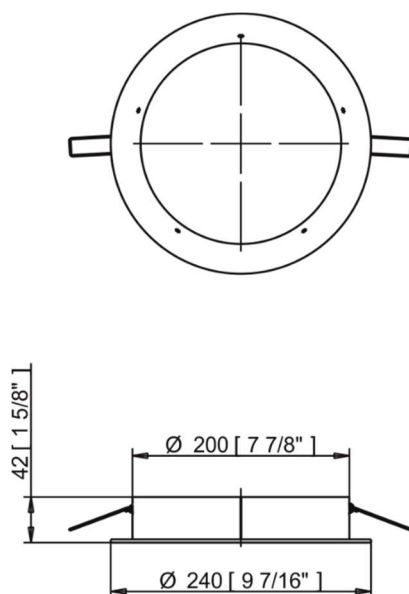


Dimension L1 depends on U-holder position  
 Ambiane XP56 20°/30°, L1=448 [17 5/8" ] – 528 [20 13/16" ]  
 Ambiane XP56 45°, L1=423 [16 5/8" ] – 503 [19 13/16" ]  
 Ambiane XP56 60°, L1=394 [15 1/2" ] – 474 [18 11/16" ]

Ambiane XP56 20°/30°, L2=395 [15 9/16" ]  
 Ambiane XP56 45°, L2=370 [14 9/16" ]  
 Ambiane XP56 60°, L2=341 [13 7/16" ]

## Ambiane XP56 Recessed

### Trim for Ambiane XP Recessed



#### Included items

- 1 x Ambiane XP56 Recessed
- 1 x Set of cable connectors
- 1 x User manual

#### Optional accessories

- Trim for Ambiane XP Recessed RAL 9005 (P/N 10980572)
- Ambiane Power XP (P/N 10063710)
- Ambiane Power XP-G (CE) (P/N 10063950)
- Ambiane Power XP-G (US) (P/N 10064011)

## 6. Cleaning and maintenance

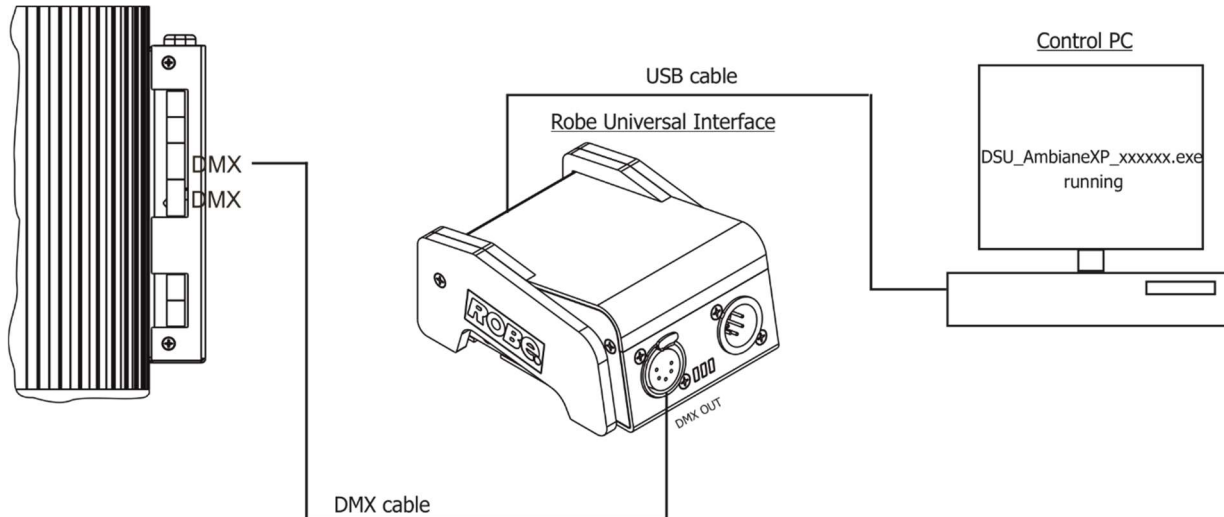
***Disconnect from the mains before starting any maintenance or cleaning work***

Keep the fixture clean, especially light source and the ribbed housing.  
Maintenance and service operations are only to be carried out by a qualified person.  
Should you need any spare parts, please use ROBE OEM parts.

## 6.1 Software update

The fixture has to be connected to power during software update.

### Software update by means of the DSU file.



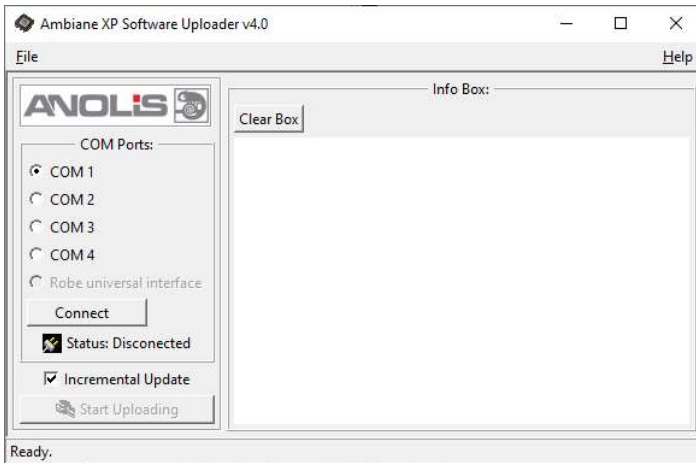
The following items are required in order to update software:

- PC running Windows or Linux or macOS
- DSU file
- Robe Universal Interface / Robe Universal interface WTX.

To update software in the fixture:

1. DSU file is available from the ROBE web site at <https://www.robe.cz/architectural/download/#software-updates>.  
File with extension zip is intended for Windows (used and tested from XP56 to W10 on 32/64bit systems).  
File with extension tbz is intended for Linux (used and tested on Debian and Ubuntu 32/64bit).  
File with extension dmg is intended for macOS (used and tested on OSX up to Sierra) XQuartz required, install it from <https://www.xquartz.org/>  
Save the download file to a folder on your computer.  
In case that you use windows, extract files in the zip file (e.g. DSU\_AmbianeXP56\_18051040.zip)
2. Switch the fixture off and disconnect the fixture from DMX controller (If you use DALI control, switch off the DALI controller).
3. If you use the flash cable RS232/DMX, connect a serial port of your computer with DMX input of the fixture by means of this cable (probably you will need some USB to RS 232 converter if your computer has USB ports only).  
If you use the Robe Universal Interface, connect a USB port of your computer with the Robe Universal Interface by means of the USB cable and DMX input of the fixture with the DMX output of the Robe Universal Interface via a DMX cable.
4. Switch the fixture on and switch it to the update mode (switch the DIP 12 from OFF to ON position).  
We recommend to cancel all running programs on your computer before starting the software uploader.
5. Double-click the software uploader file (e.g. DSU\_AmbianeXP56\_18051040.exe) in the extracted files. The Software Uploader program will start running.

## Ambiane XP56 Recessed

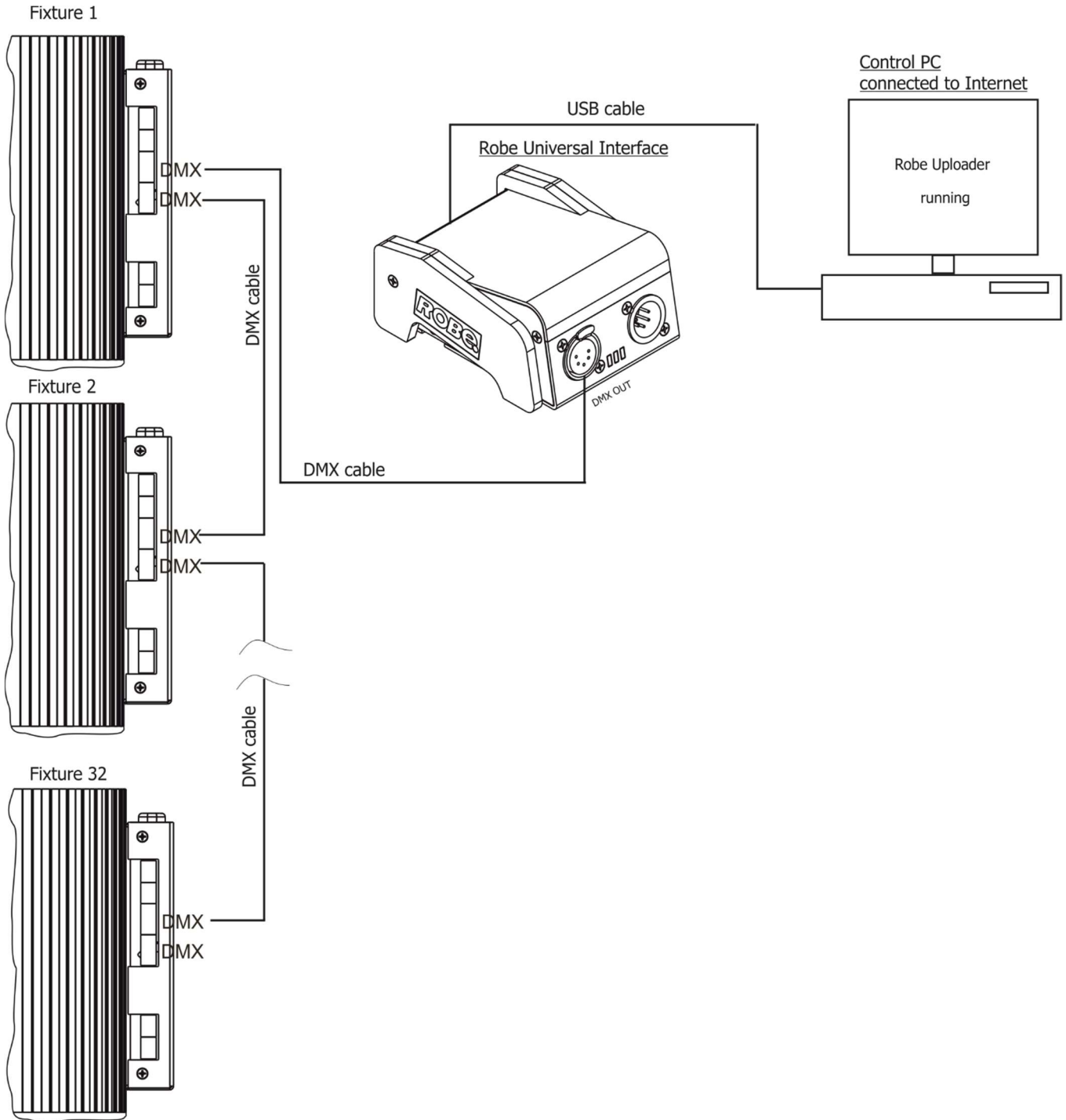


6. Select correct "COM " number if you use a Flash cable RS232/DMX or select "Robe Universal Interface " if you use the Robe Universal Interface/Robe Universal Interface WTX and then click on the "Connect" button.
7. If the connection is OK, click the "Start Uploading" button to start software uploading. It will take several minutes to perform software update.  
If the option "Incremental Update" is not checked, all processors will be updated (including processors with the same software version).  
If you wish to update only processors with new version of software, check the "Incremental Update box".  
Avoid interrupting the process. Update status is being displayed in the "Info Box" window.  
When the update is finished, the line with the text "Fixture is successfully updated" will appear in this window.
8. Switch the fixture off and set the DIP 12 to OFF position.

In case upload process is interrupted (e.g. power loss), the fixture stays in "Updating mode" and you will have to repeat the software update again.

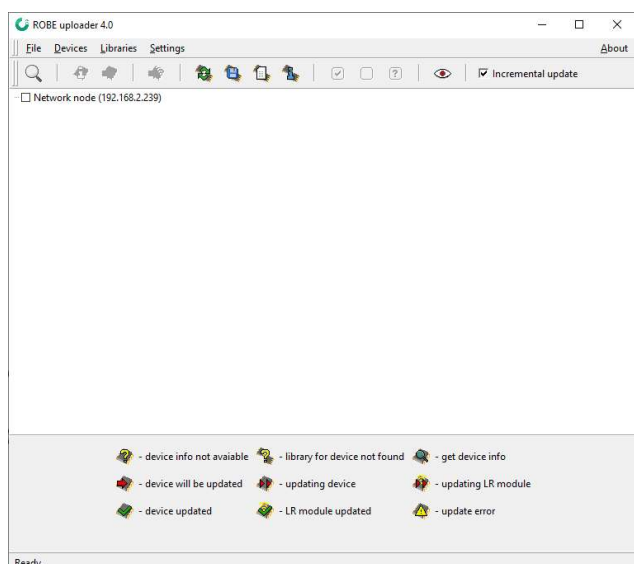
### Software update by means of the Robe Uploader

Another way, how to update software in the fixtures (especially large installation of fixtures) is to use the ROBE Uploader. It is a software for automatized software update of Robe and Anolis fixtures. It can take advantage of RDM support.



The fixtures has to be connected in a daisy-chain (max. 32 fixtures) and via the Robe Universal Interface/Robe Universal Interface WTX and a USB cable connected to the control PC with the Robe Uploader running. The fixtures have to be connected to power. The control PC should be connected to the Internet.

## Ambiane XP56 Recessed



The Robe Uploader software and user manual is available at :  
<https://www.robe.cz/robe-uploader/>

If you do the software update by means of the Robe Uploader, switching fixtures to the update mode (and from the update mode) is made automatically, without need to switch the DIP 12 to ON position (update mode).

Note: The Robe Uploader software cannot be used if fixtures are connected by means of DALI connection.

## 6.2 Disposing of the product

To preserve the environment please dispose or recycle this product at the end of its life according to the local regulations and codes.

*Specifications are subject to change without notice*

*January 12, 2021*

Made in CZECH REPUBLIC by ROBE LIGHTING s.r.o. Palackeho 416/20 CZ 75701 Valasske Mezirici