

BOOSTER BOX™

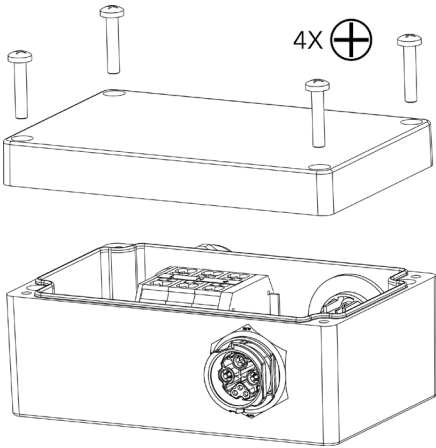
INSTALLATION INSTRUCTIONS



Fixture must be installed by a qualified electrician in accordance with all national and local electrical and construction codes and regulations.

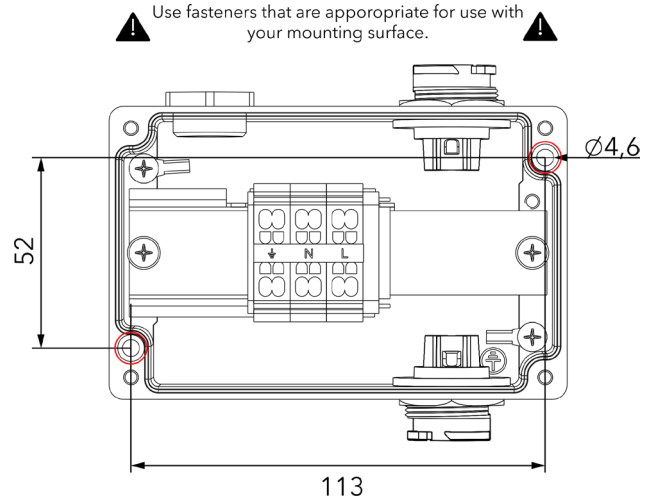


STEP 1 OPEN BOX



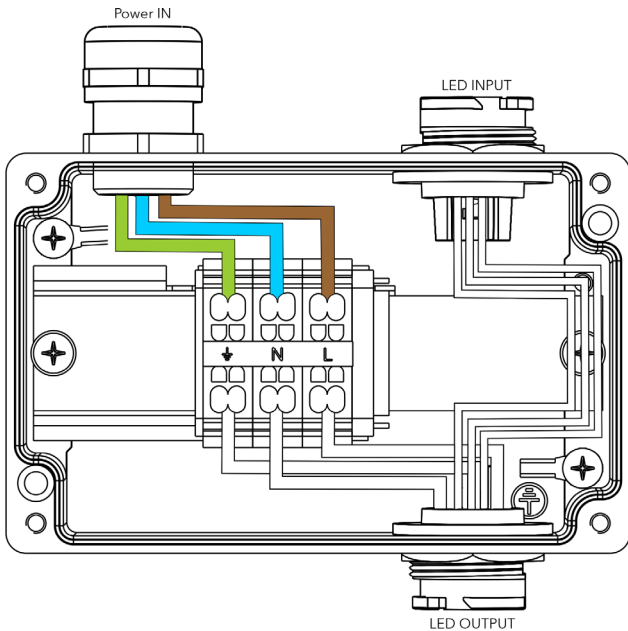
Uncover Booster Box.

STEP 2 INSTALL HOUSING



Drill holes to the surface according to holes spacing. Mount Booster Box via mounting holes on the surface.

STEP 3.A CONNECTION TO POWER

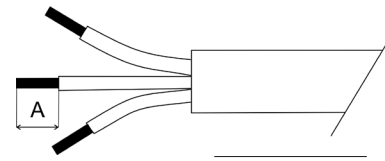


EU colour code shown.

Power Connection - Power IN

	L	N	GROUND
Core (EU)	Brown	Blue	Green/Yellow
Core (US)	Black	White	Green

1

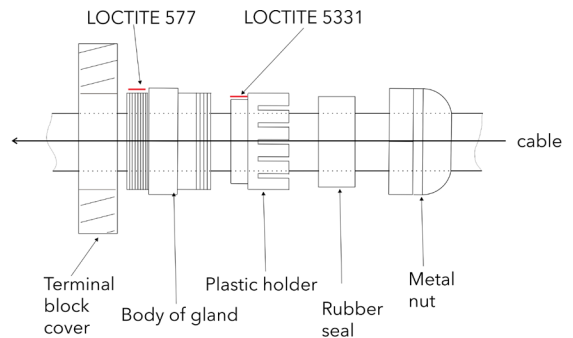


	A
Power Connection	9mm
Data Connection	7mm

Strip these lengths for cable connections.

2 Cable gland installation

Put Power cable through cable gland M20x1.5 and connect into connection terminal. Assemble cable gland as shown below. Use wrench size 24 for cable gland M20x1.5



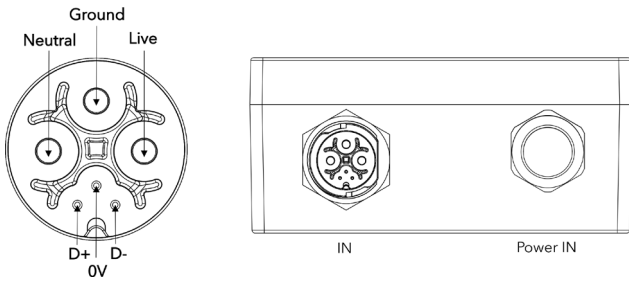
We recommend to apply an adequate layer of the paste LOCTITE 5331 on the plastic holder of the cable gland before inserting in into the body of the gland and an adequate layer of the paste LOCTITE 577 on the thread of the gland body.

Failure to properly install cable glands will result in failure of the water tight seal!

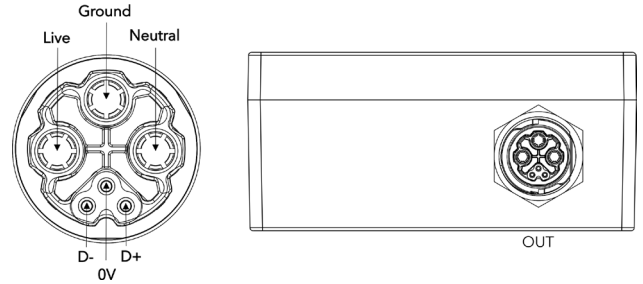
BOOSTER BOX™

INSTALLATION INSTRUCTIONS

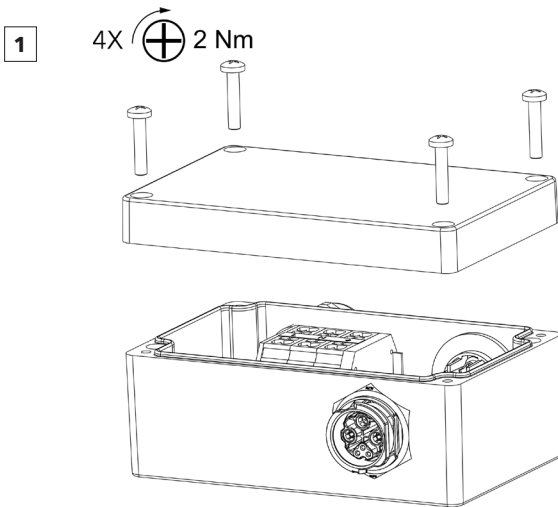
STEP 3.B CONNECTION TO EMINERE



Input - panel connector

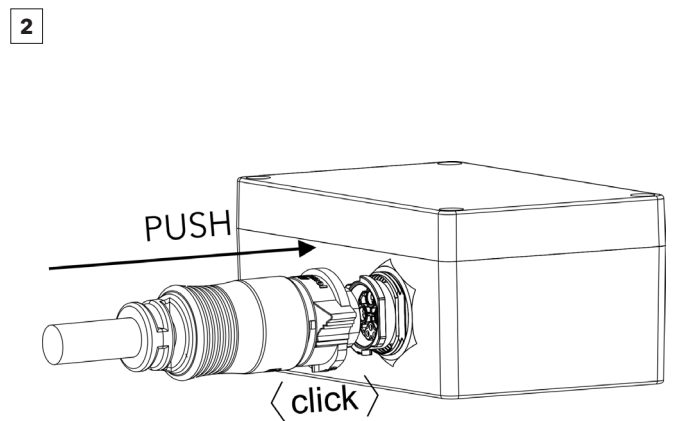


Output - panel connector



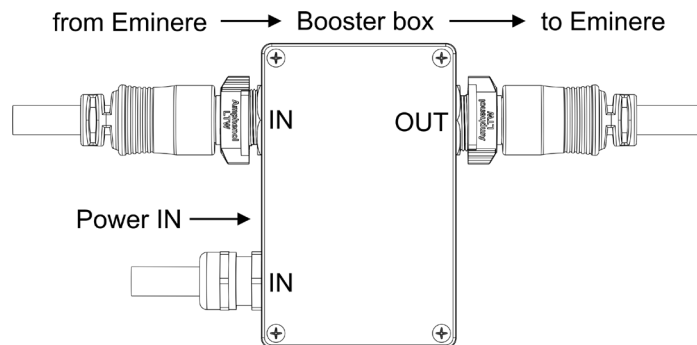
Install top cover.

Before applying the torque, make sure the thread is clean and functional.



Connect LED input and output cables.

3 Cable connection.



EXAMPLE:

E-Box Daisy, power supply= 230V, Total cable length=70m, Standard mode, type of Eminere: Eminere 2 The Booster box has to be connected after every 40th Eminere 2 (fixture 45 and fixture 90 from 94 fixtures). For more details see the Eminere user manual.

