

EMINERE™ INGROUND 2 / 4

INSTALLATION INSTRUCTIONS

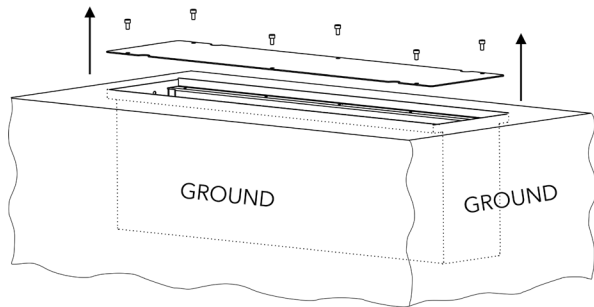


The unit must be installed by a qualified electrician in accordance with all applicable regulations including local and national construction and electrical codes. This device falls under class I and must be grounded!



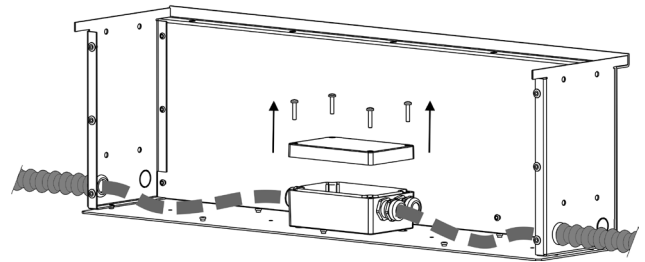
STEP 1 PREPARE SLEEVE

1 6X M5x10



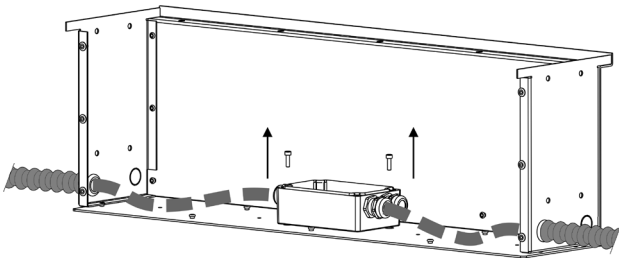
Remove temporary installation sleeve cover plate.

2 4X M4x20



Remove junction box cover.

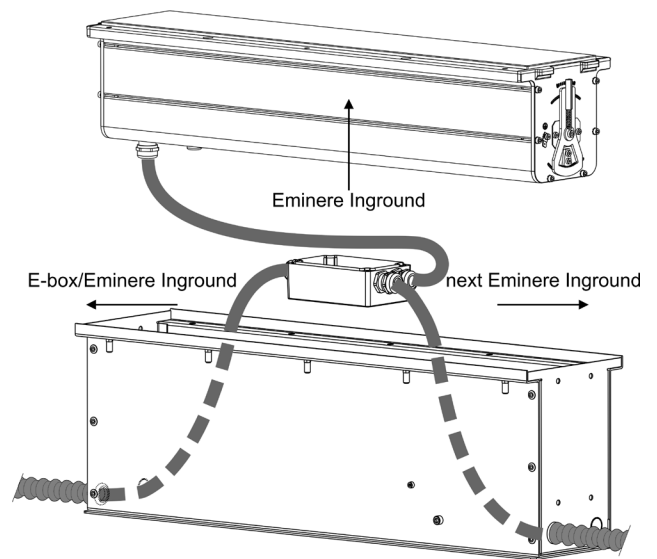
3 2X M4x14



Removing the junction box from installation sleeve is recommended to provide easier access to the cable connection terminals.

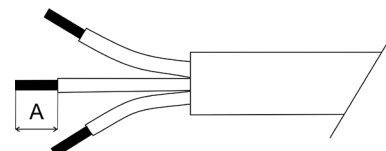
STEP 2 CONNECTION

1



Shorten the cables according to needs (recommended to 1m).

3



	A
Power Connection	9mm
Data Connection	7mm

Strip these lengths for cable connections.

2 Connection - colour coding

Wiring of the Eminere Cable - CE Leader

WIRE	POWER CONNECTION	WIRE	DATA CONNECTION
Brown	L	Orange	Data - (D-)
Blue	N	Purple	Data + (D+)
Green	Ground	Shielding	Data Ground (0V)

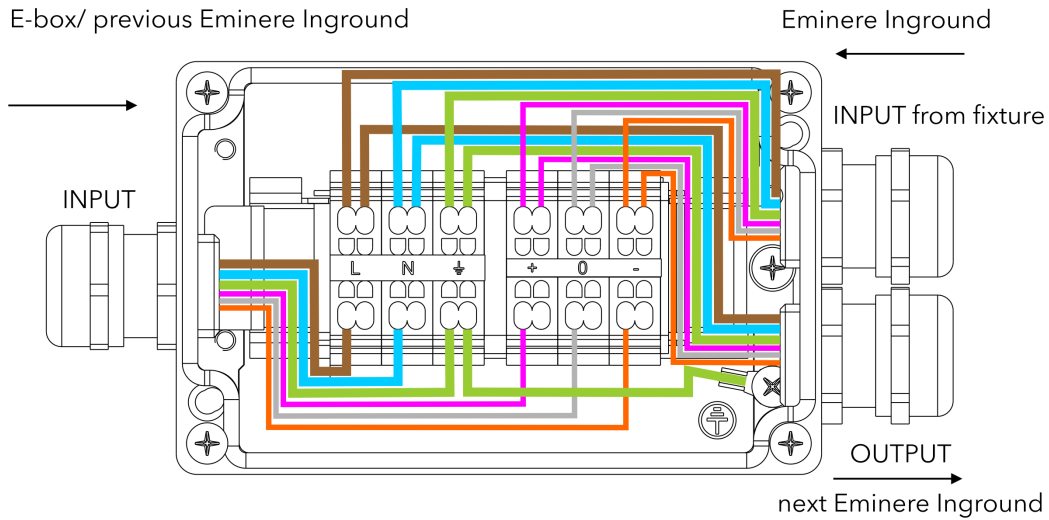
Wiring of the Eminere Cable - US Leader

WIRE	POWER CONNECTION	WIRE	DATA CONNECTION
Black	L	Orange	Data - (D-)
White	N	Red	Data + (D+)
Green	Ground	Shielding	Data Ground (0V)

EMINERE™ INGROUND 2 / 4

INSTALLATION INSTRUCTIONS

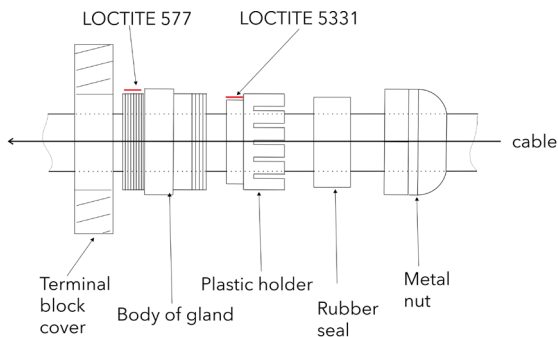
4 Wiring connection



For Data and Power - EU color code shown

STEP 4 CABLE GLAND INSTALLATION

Put cable thru cable gland M20x1.5 and connect into connection terminal. Assemble cable gland as shown below. Use wrench size 24 for cable gland M20x1.5



Apply Loctite 5331 thread sealant on the plastic holder and Loctite 577 thread locking compound on the gland body in the indicated locations prior to assembly.

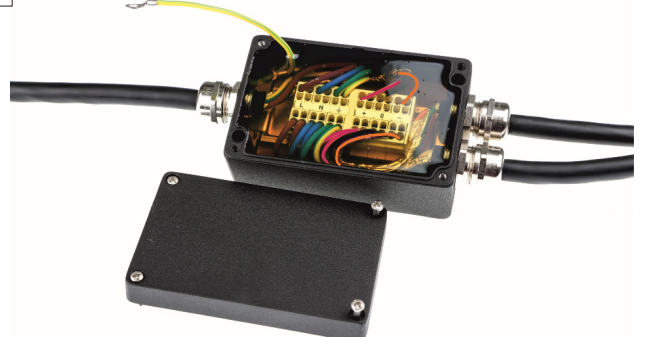
Failure to properly install cable glands will result in failure of the water tight seal!

STEP 5 FILLING JUNCTION BOX WITH SYNTHETIC RESIN

1



2

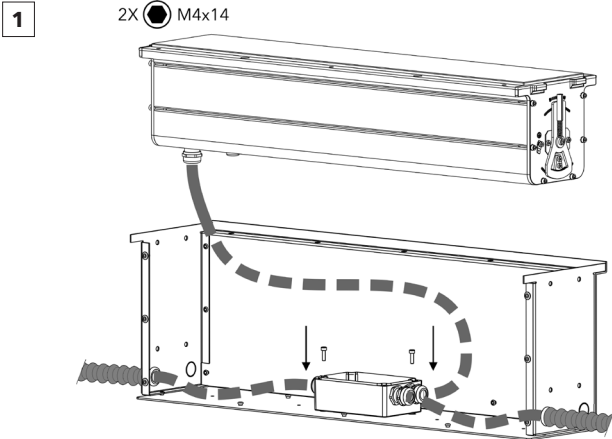


After checking all connections, fill the junction box with synthetic resin. Make sure the the end cap is inserted in any unused cable glands, and the earth ground wire is pulled from the junction box before filling it with resin. Read and follow all instructions stated on the resin bag prior to filling the junction box. The junction box has to be fully filled by resin.

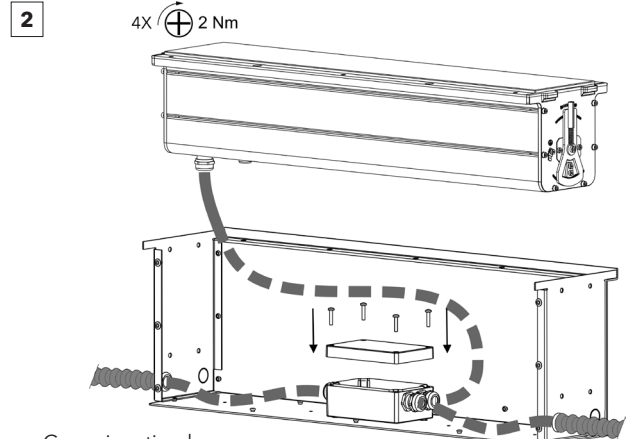
EMINERE™ INGROUND 2 / 4

INSTALLATION INSTRUCTIONS

STEP 4 CLOSE JUNCTION BOX



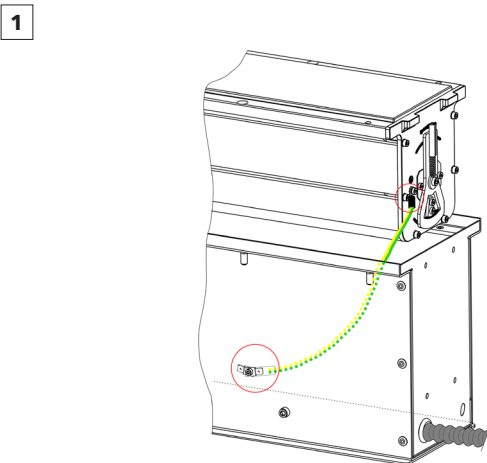
Install junction box with connected cables back to mounting sleeve and fix it by screws.



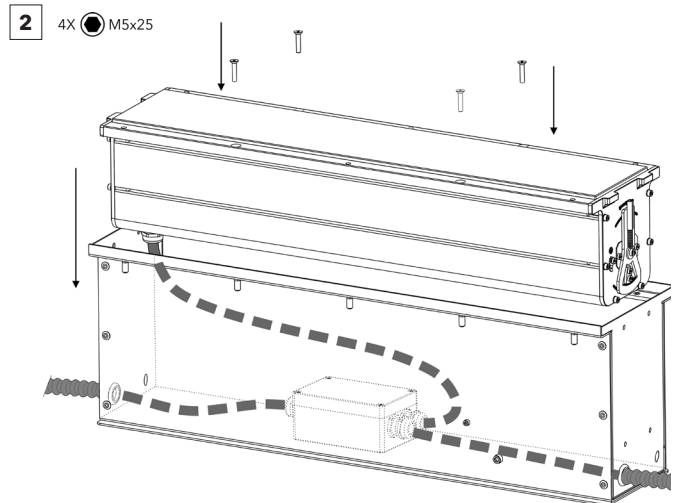
Cover junction box.

Before applying the torque, make sure the thread is clean and functional.

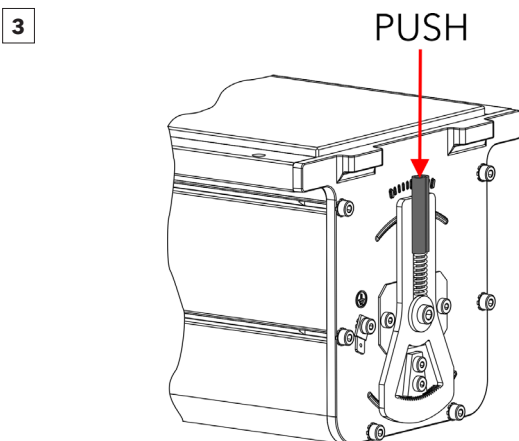
STEP 7 INSTALLATION OF EMENIRE INGROUND



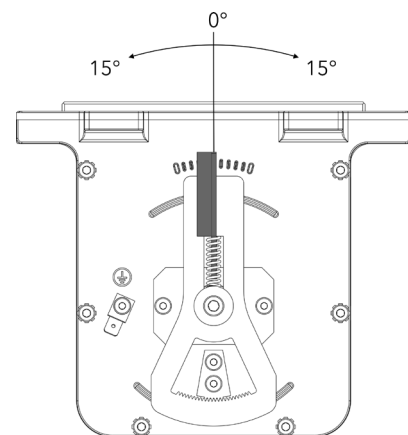
Connect ground wire.



Install Eminere Inground into installation sleeve and tighten screws.



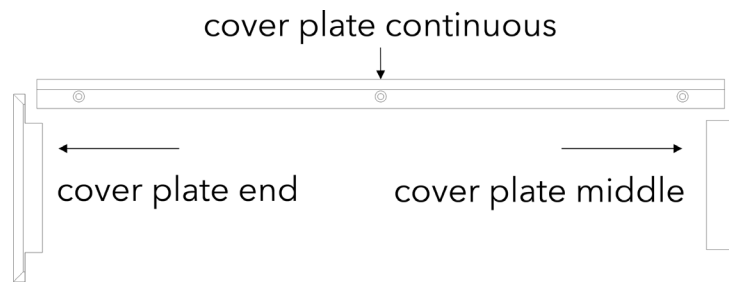
Push and hold the small tube to release the lock of the Eminere Inground and tilt the device to desired position. Release the small tube to lock the new position of the Eminere Inground.



EMINERE™ INGROUND 2 / 4

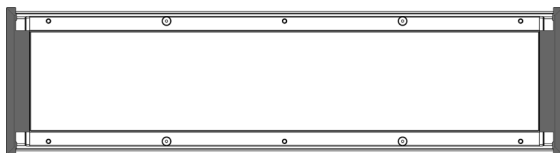
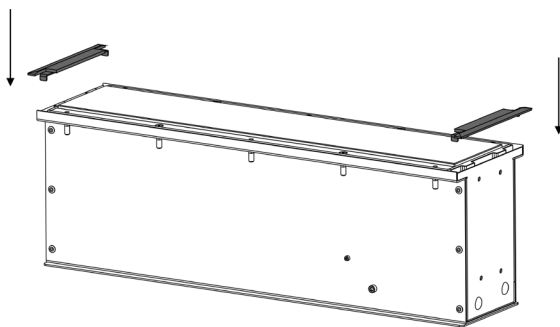
INSTALLATION INSTRUCTIONS

STEP 8.A COVER PLATE INSTALLATION



STEP 8.A INSTALLATION OF COVER PLATES FOR SINGLE FIXTURE INSTALLATION

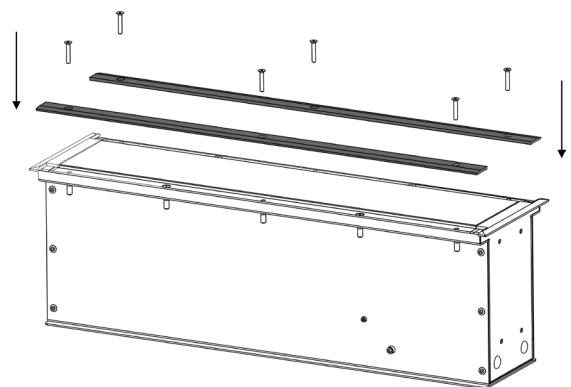
1



Insert side cover plates and lock into position .

2

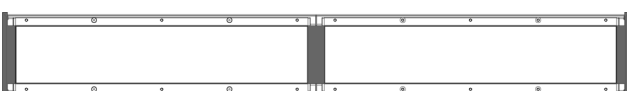
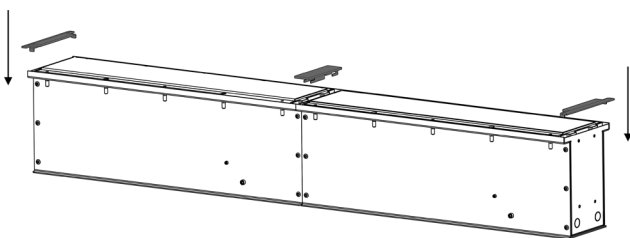
6X M5x30



Place long cover plates into position and attach with six M5 x 30 fasteners.

STEP 8.A INSTALLATION OF COVER PLATES FOR MULTIPLE FIXTURE INSTALLATION

1 Both side and middle cover plate types are used for multiple fixture installation

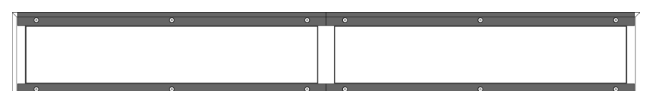
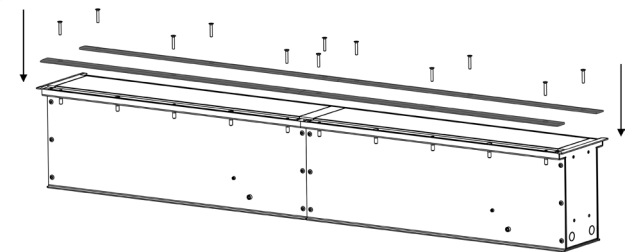


Insert side and middle cover plates and lock into position

Note - Middle cover plate is required for multiple fixture installation

2

12X M5x30



Place long cover plates into position and attach with twelve M5 x 30 fasteners