

# EMINERE™ INGROUND 2 / 4

The new Eminere™ range by Anolis builds on the success of the original ArcLine™ Outdoor Series with precision optics and is available in a variety of sizes. It's perfect for a wide range of exterior and interior applications such as Flood Lighting, Wall Grazing, Wall Washing and Accent Lighting. Built to exact standards, these linear fixtures are tough enough to withstand extreme environments whilst producing beautiful colours from the RGBW, RGBA or PureWhite LED chips.



## KEY FEATURES

Full spectral LEDs selection with custom option on request.

Long LED lifetime over 60.000 hrs.

High durability with ingress factor of IP67 and walkover housing made from stainless steel with welded support for highest durability requirements.

Anti-skid glass option for pedestrian areas application.

Manually adjustable tilt +/- 15° for fine adjustment of light beam.

## CONTROL & PROTOCOLS



OPTIONAL



OPTIONAL

## STANDARD & SPECIFICATION



Vibration Standard for Bridge



5 Year Warranty (Registered)

## COLOURS



RGBW



RGBA



Pure White



Tuneable White

## COLOUR TEMPERATURE

\* UPON REQUEST



2.500 K\*



2.700 K\*



3.000 K



3.500 K\*



4.000 K\*



5.000 K\*



6.500 K\*



2.700-6.500 K\*

## FINISH OPTION



Stainless Steel

## OPTIC OPTIONS

### SYMMETRICAL



9°



15°



30°



50°



65°



100°

### ASYMMETRICAL



WIDE WALLWASHER



WALLWASHER

### BI-SYMMETRICAL



10x30°



10x60°



15x90°



35x70°



30x10°



60x10°

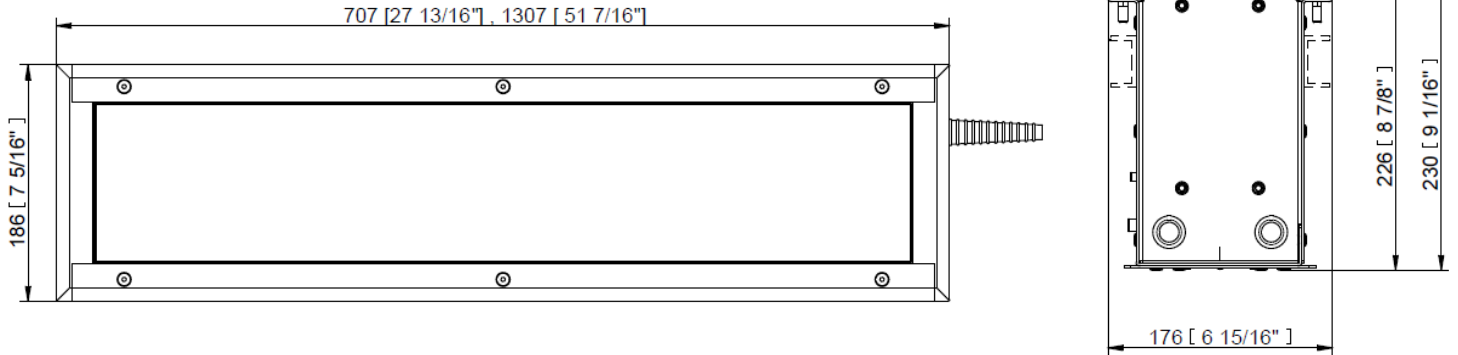


90x15°



70x35°

**DIMENSIONS**



**PHOTOMETRIC OVERVIEW**

Based on RGBW (CLEAR GLASS) version, all leds @ full

Lumen Output (lm)

	EMINERE INGROUND 2	EMINERE INGROUND 4
<b>9°</b>	2 019	4 038
<b>15°</b>	1 721	3 442
<b>30°</b>	1 841	3 682
<b>50°</b>	1 829	3 658
<b>65°</b>	1 830	3 660
<b>100°</b>	1 696	3 392
<b>10° x 30°</b>	1 816	3 632
<b>10° x 60°</b>	1 649	3 298
<b>15° x 90°</b>	1 707	3 414
<b>35° x 70°</b>	1 830	3 660
<b>WallWasher</b>	1 676	3 352
<b>Wide WallWasher</b>	1 388	2 776

**EMINERE INGROUND SPECIFICATION**

<b>ELECTRICAL</b>	Input Voltage	120 - 277 V AC 50/60 Hz		
	Typical Power Consumption	<b>Eminere Inground 2</b>		50 W
<b>Eminere Inground 4</b>		90 W		
<b>OPTICAL</b>	Light Source	24, 48 x High Power Single Chip LEDs		
	Colour Variants	RGBW (W - 6.500 K)	RGBA	PW (W - 3.000 K)
		Variants On Request (TW (2700 - 6500 K)   2500 K   2700 K   3500 K   4000 K   5000 K   6500 K)		
	Beam Angle	<b>Symmetrical</b> Clear Glass: 9°   15°   30°   50°   65°   100°		Anti-Skid: 18°   22°   35°   50°   65°   100°
		<b>Bi-symmetrical</b> Clear Glass: 10° x 30°   10° x 60°   15° x 90°   35° x 70°		Anti-Skid: 20° x 35°   20° x 65°   20° x 90°   40° x 70°
		<b>Asymmetrical:</b> Wallwasher   Wide Wallwasher		
Lumen Output Delivered	<b>Eminere Inground 2</b>		2.019 lm, RGBW @ 9° (Clear Glass) 2.021 lm, RGBW @ 18° (Anti-Skid)	
	<b>Eminere Inground 4</b>		4.038 lm, RGBW @ 9° (Clear Glass) 4.042 lm, RGBW @ 18° (Anti-Skid)	
Projected Lumen Maintenance	60.000 hrs (L70 @ 25 °C / 77 °F)			
<b>CONTROL</b>	Interface Protocol	Via E-Box range or Wireless DMX (excluded Eminere 1)		
	E-Box Control Protocols	USITT DMX512, RDM, ArtNet, MA Net, MA Net2, sACN, Kling-Net		
	Wireless DMX (Option)	Lumen Radio CRMX Technology		
	Operating Modes	Pixel (12 LEDs/300mm) or Fixture mode		
	Setting / Addressing	Via Two Row LCD Display with Control Buttons or RDM communicator		
	Power Supply	Integrated		
	Connectivity	E-box Lite	Max. 32 pcs of Eminere Inground 2 / 4	
<b>PHYSICAL</b>	Width x Height x Length	Eminere Inground 2 / 4: 186 x 230 x 707 / 1307 mm (7.32 x 9.05 x 27.83 / 51.46 in.)		
	Weight	<b>23.6 kg / 52 lbs</b> (12.2 kg / 26 lbs <b>Eminere Inground 2 Fixture</b> , 11.4 kg / 25 lbs <b>Install. Sleeve</b> )		
		<b>43.85 kg / 96.67 lbs</b> (22.65 kg / 49.93 lbs <b>Eminere Inground 4 Fixture</b> , 21.2 kg / 46.74 lbs <b>Install. Sleeve</b> )		
	Housing	High Pressure Extruded Aluminium Body   End Caps - Die-Cast Aluminium   Tempered Glass		
		Anti-Skid (Option)   Stainless Steel Instalation sleeve for pre-installation		
	Finish Options	Stainless Steel Flenge   Housing Standard Colour - Graphite Black (RAL 9011)		
	Connections	Junction Box		
	Mounting Method	Inground mount		
	Adjustability	+/- 15° after instalation		
	Protection Factor	IP67 / Suitable For Wet Locations		
	IK Rating	IK09		
		Standard Tempered Glass: 45kN Anti-Skid Tempered Glass: 23kN		
	Cooling System	Convection		
Operating Ambient Temperature	-20 °C / +40 °C (-4 °F / +104 °F)			
Operating Temperature	+80 °C @ Ambient +40 °C (+176 °F @ Ambient +104 °F)			
<b>CERTIFICATION</b>	Listings	ETL / cETL, CE, RoHS		
<b>ACCESSORIES</b>	Mounting	Eminere Inground Mounting Sleeve		
		Eminere Inground Cover Plate Continuous		
		Eminere Inground Cover Plate End		
	Cables	Cable CE WCA   Cable US WCA		

**COLOUR MIXING PRINTS**

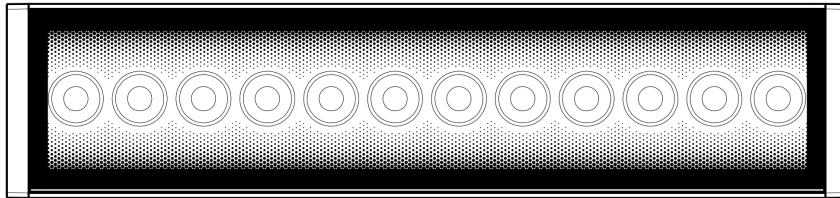
**STAND ALONE**

Specially designed glass printing to achieve optimal colour mixing and intensity distribution.

**HEAD2HEAD**

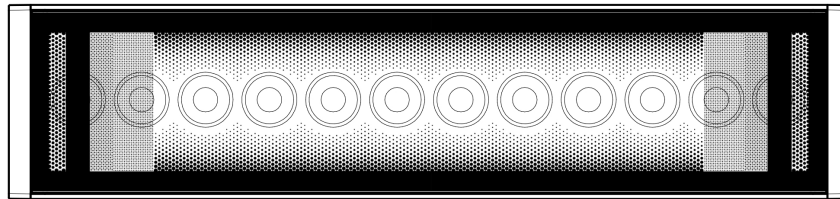
Fixtures without special end glass print installed right next to each other create absolutely perfect colour and intensity overlap.

Note:  
Applies for RGBW, RGBA versions.  
Pure white and Tunable white versions are always without the end print (no matter on their position to other fixture).

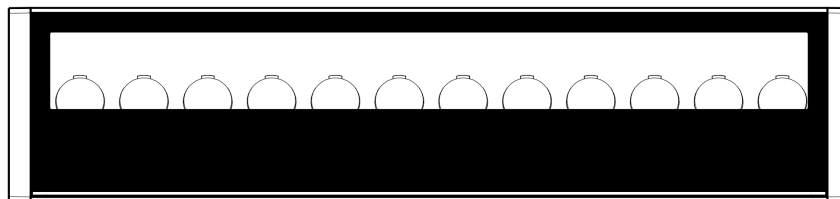


HEAD2HEAD

**SYMMETRICAL**

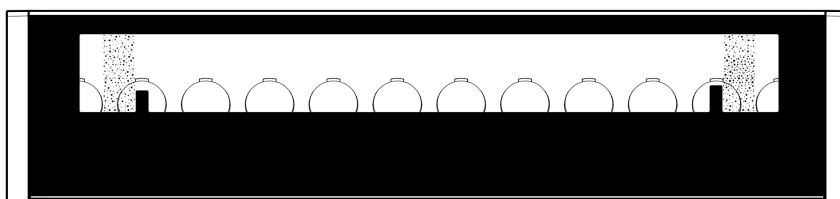


STAND ALONE



HEAD2HEAD

**WALLWASHER**



STAND ALONE

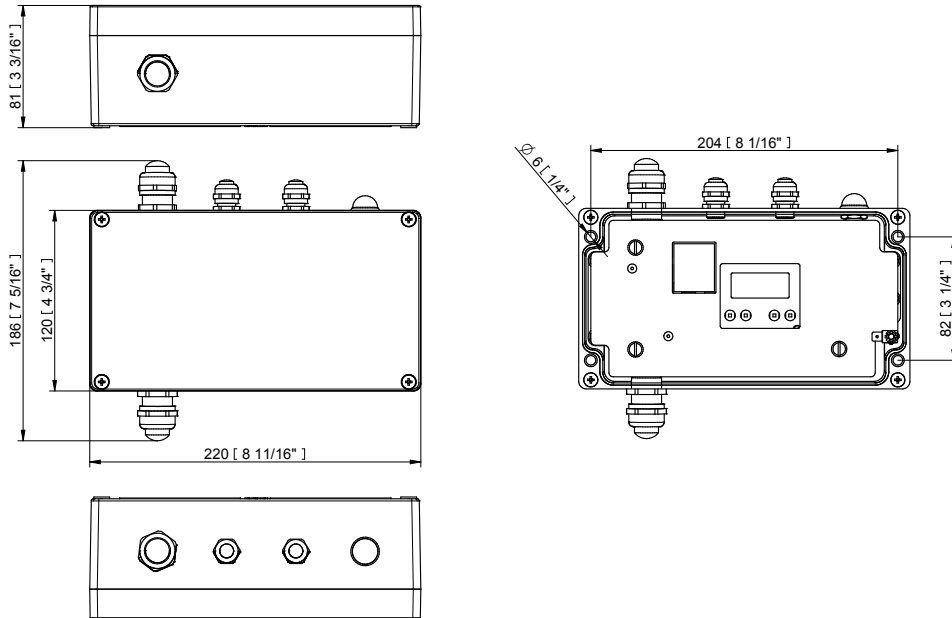
**E-BOX SPECIFICATION**

<b>ELECTRICAL</b>	Input Voltage	120 - 277 V AC 50/60 Hz		
	Wireless DMX (Option)	Lumen Radio CRMX Technology		
<b>CONTROL</b>	Interface Protocol	E-box Lite: USITT DMX512, RDM, Kling-Net		
		E-box Daisy: USITT DMX512, RDM, ArtNet, MA Net, MA Net2, sACN, Kling-Net		
		E-box Star: USITT DMX512, RDM, ArtNet, MA Net, MA Net2, sACN, Kling-Net		
	Operating Modes	Pixel (12 LEDs) or Fixture mode		
	Display	Via Two Row LCD Display with Control Buttons or RDM communicator		
	Control System	E-box With Self Addressing Feature or Custom Setting Via LCD Display/RDM		
	Power Supply	Integrated		
	Connectivity	E-box Lite	32 of Eminere Inground 2 (@ 230 V and 30m cable) via 1 Output	
E-box Daisy		32 of Eminere Inground 2 (@ 230 V and 30m cable) via 1 Output		
E-box Star		32 of Eminere Inground 2 (@ 230 V and 30m cable) via 6 Outputs		
<b>PHYSICAL</b>	Width x Height x Length	E-box Lite	220 x 120 x 81 mm (8.66 x 4.72 x 3.18 in.)	
		E-box Daisy	260 x 160 x 91 mm (10.24 x 6.30 x 3.58 in.)	
		E-box Star	280 x 230 x 111 mm (11.02 x 9.06 x 4.37 in.)	
	Weight	1.75 kg   3.85 lbs	2.71 kg   5.97 lbs	2.85 kg   6.28 lbs
	Housing	Die-Cast Aluminium Case		
	Finish Options	Standard Colour - Graphite Black (RAL 9011)   Silver (RAL 9006)		
		Cost Option - Custom RAL   Harsh Environment (RAL 9016, RAL 9011)		
	Cables / Connections	Cable Grommet (stainless steel)		
	Mounting Method	Surface Mount , 4 Mounting Holes		
	Protection Factor	IP67 / Suitable For Wet Locations		
	IK Rating	IK10		
	Cooling System	Convection		
Operating Ambient Temperature	-20 °C / +40 °C (-4 °F / +104 °F)			
<b>CERTIFICATION</b>	Listings	ETL / cETL, CE, RoHS		

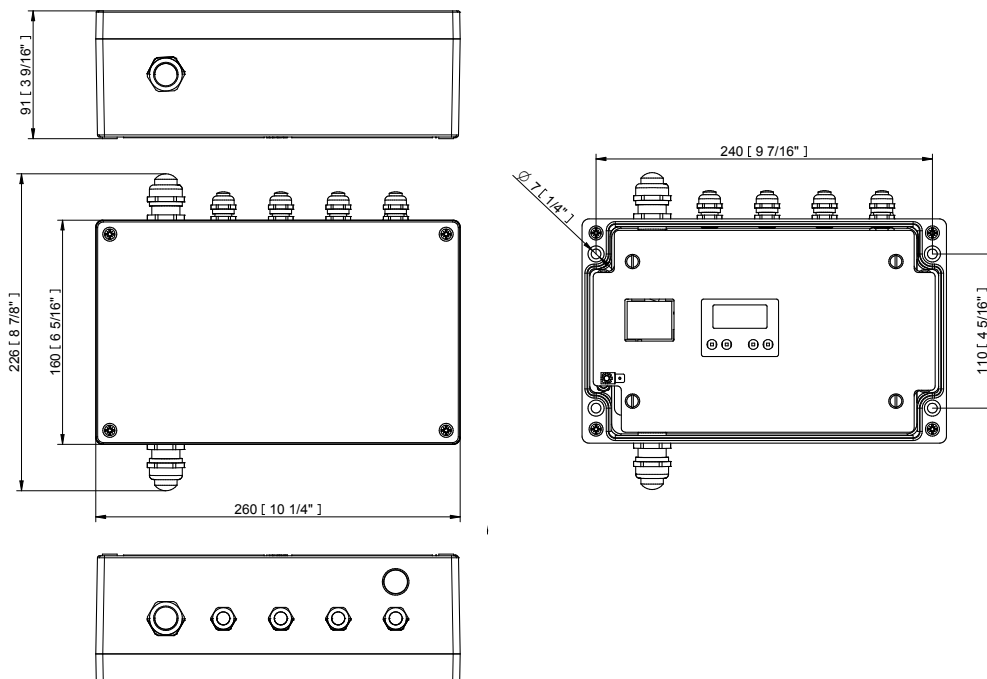
**COMPARISON**

	<b>E-BOX LITE</b>	<b>E-BOX DAISY</b>	<b>E-BOX STAR</b>
<b>Power input</b>	1	1	1
<b>Fixture Output</b>	1	1	6
<b>Total load (current)</b>	16A	16A	16A
<b>DMX control</b>	YES	YES	YES
<b>RDM</b>	YES	YES	YES
<b>Art-Net</b>	NO	YES	YES
<b>Ethernet switch</b>	NO	YES	YES
<b>Kling-Net</b>	YES	YES	YES
<b>sACN</b>	NO	YES	YES
<b>MA Net, MA Net2</b>	NO	YES	YES

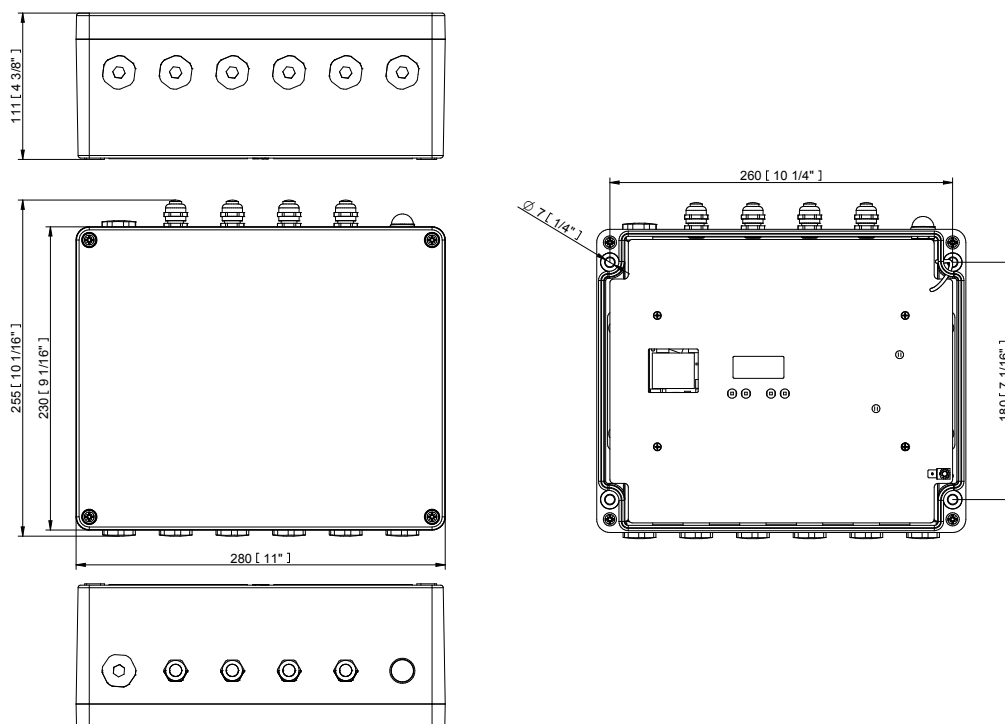
**E-BOX LITE**



**E-BOX DAISY**



**E-BOX STAR**



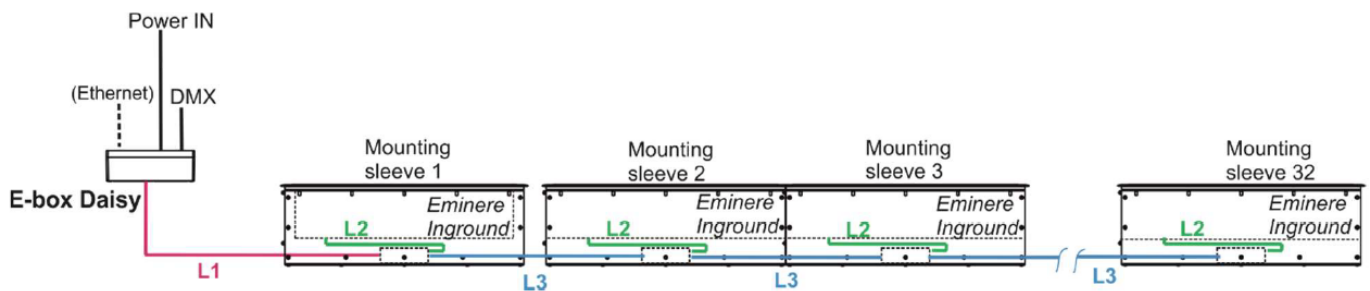
**CONNECTIVITY**

Following table shows maximum connected Emineres on each output of E-Box with respect of cable length.

	Cable length (m)	Voltage (V)			
		120	190	230	277
<b>EMINERE INGROUND 2</b>	<b>10</b>	32	32	32	32
	<b>20</b>	32	32	32	32
	<b>30</b>	28	32	32	32
	<b>50</b>	17	32	32	32
	<b>70</b>	12	31	32	32
	<b>100</b>	9	21	32	32
<b>EMINERE INGROUND 4</b>	<b>10</b>	21	32	32	32
	<b>20</b>	21	32	32	32
	<b>30</b>	15	32	32	32
	<b>50</b>	9	22	32	32
	<b>70</b>	6	16	23	32
	<b>100</b>	4	11	16	23

Please read the E-boxes user manuals for more information about their setting.

**Important: the item "E-box mode" has to be set at "Pass Thr" (Personality - E-box mode - Pass Thr).**

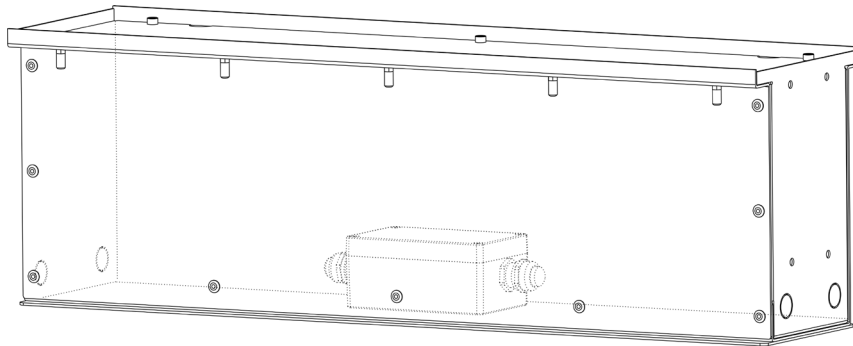


**Total cable length= L1 + ΣL2 + ΣL3.**



**MOUNTING ACCESSORIES (ORDER SEPARATELY)**

**Mounting sleeve (Junction Box included)**



**Cover Plates**

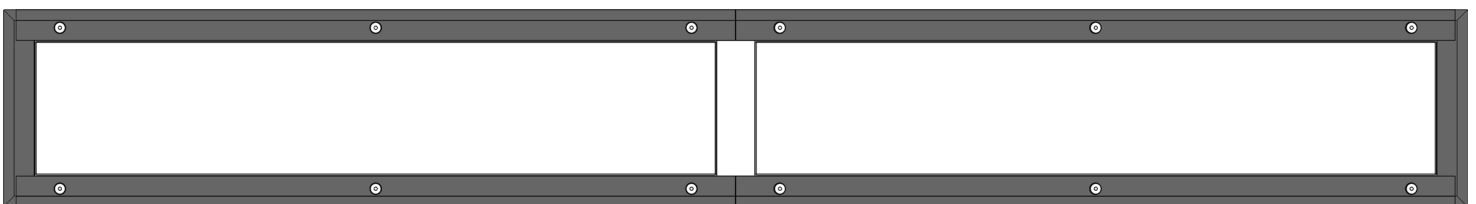
Two types of Cover Plates must be ordered separately, depending on installation option:

- Cover Plate Continuous (includes set of 2pcs)
- Cover Plate End (includes set of 2pcs)

Examples:



Cover plate set-up for STAND ALONE option (consist of 1x set of Cover Plate Continuous and 1x set of Cover Plate End)



Cover plate set-up for HEAD2HEAD connection option (consist of 2x set of Cover Plate Continuous and 1x set of Cover Plate End)