

# ARCSOURCE™ OUTDOOR 16MC INTEGRAL

Producing the same light output as the ArcSource™ Outdoor 16MC but with an integral power supply, this fixture reduces installation complexity. The fixture is available in a wide range of beam angles and colour variants, making it perfect for a broad range of applications including landscape, façade and structural illumination. Built to last, this fixture has an IP67 rating, meaning it is tough enough to withstand the harshest weather conditions.



## KEY FEATURES

Smallest of the outdoor multichip family, powerful and robust with integrated driver & control electronics.

### Lumen Output & Light Source

Max. 1,383 lm | 4 X 15W Multichip

### Projected Lumen Maintenance

60,000 hrs (L70@25°C)

### Power Consumption

Typ. 42W

### Physical (max WxHxD)

179 x 239 x 194 mm - 5.4kg | 7.0 x 9.4 x 7.6in. - 11.9lbs | Aluminium Body, Tempered Glass

## CONTROL & PROTOCOLS



## STANDARD & SPECIFICATION



2 Year  
Warranty

5 Year  
Warranty  
(Registered)

## COLOURS



RGBW



RGBA



Pure  
White

## COLOUR TEMPERATURES



3.000 K

## FINISH OPTIONS



Graphite  
Black



Silver



Custom  
Paint Colour

## OPTIC OPTIONS

### SYMMETRICAL



7°



13°



20°



30°



40°



60°



90°

### BI-SYMMETRICAL



7x30°



7x60°



10x90°



35x70°



30x7°



60x7°



90x10°

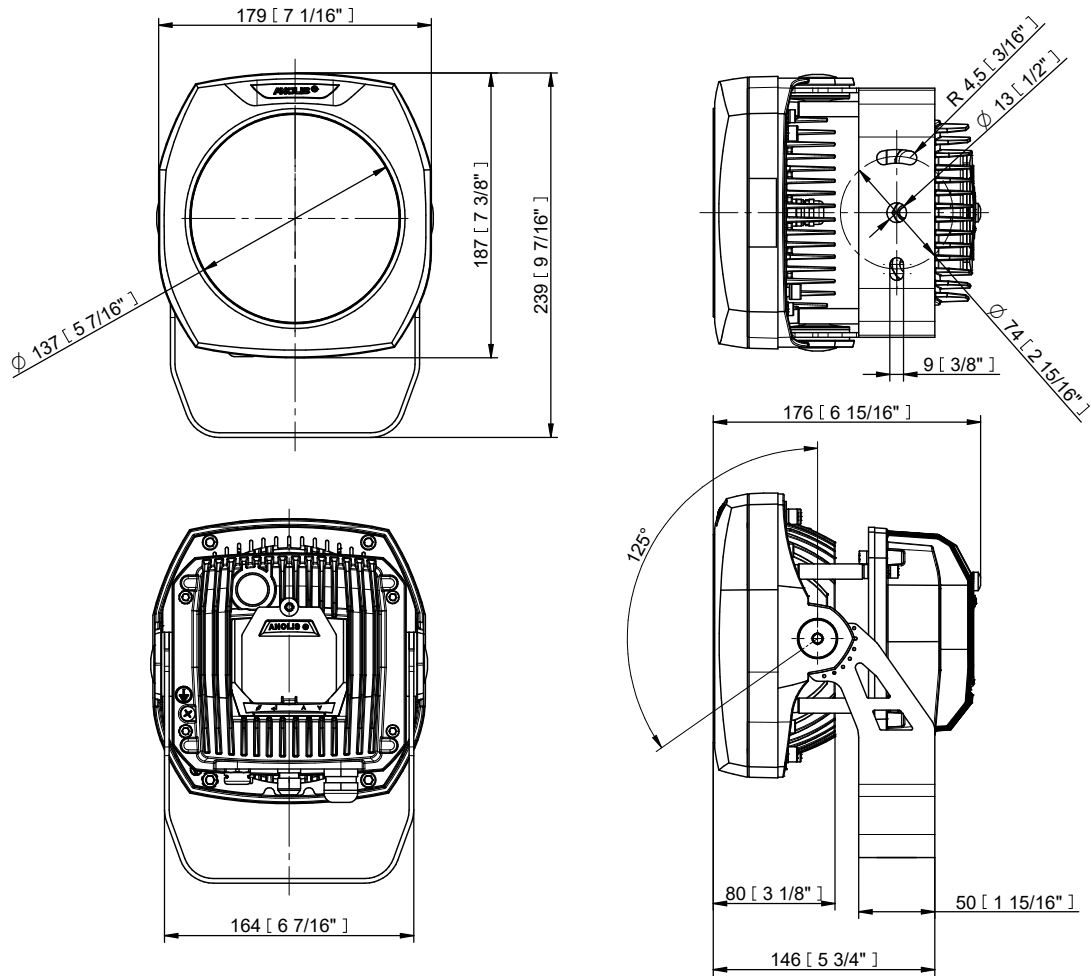


70x35°

**ARCSOURCE OUTDOOR 16MC INTEGRAL SPECIFICATION**

<b>ELECTRICAL</b>	Input Voltage	100 - 240 V AC 50/60 Hz (CE) 120 - 277 V AC 50/60 Hz (US)
	Typical Power Consumption	42 W +/- 10 %
<b>OPTICAL</b>	Light Source	4 x 15W Multichip LEDs
	Colour Variants	RGBW (W - 6500 K)   RGBA   PW (W - 3000 K)
	Beam Angle	Symmetrical 7°   13°   20°   30°   40°   60°   90°
		Bi-symmetrical 7° x 30°   30° x 7°   7° x 60°   60° x 7°   35° x 70°   70° x 35°   10° x 90°   90° x 10°
	Lumen Output Delivered	1.383 lm (RGBW 7° W - 6500 K, all LEDs on full, 700 mA)
Projected Lumen Maintenance	60.000 hrs (L70 @ 25 °C / 77 °F)	
<b>CONTROL</b>	Display	Two Row LCD Display With Control Buttons
	Wireless DMX (Option)	Lumen Radio CRMX Technology
	Interface Protocol	USITT DMX512, RDM
	Control System	Third Party DMX Controllers
	Operating Modes	DMX, Stand-alone
	Programs / Functions / Features	Editable Program: 3 (up to 40 steps each)
	Settings / Addressing	Via Two Row LCD Display with Control Buttons or RDM communicator
	Power Supply	Integrated
<b>PHYSICAL</b>	Width x Height x Depth	179 x 239 x 194 mm   7.0 x 9.4 x 7.6 in.
	Weight	5.4 kg   11.9 lbs
	Housing	High Pressure Die-Cast Aluminium Body
		Tempered Glass
	Finish Options	Standard Colour - Graphite Black (RAL 9011), Silver (RAL 9006)
		Cost Option - Custom RAL
	Cables / Connections	Li9Y11Y 3 x AWG16 + 1 (2 x AWG24), Junction Box
	Mounting Method	Yoke, Floor Stand (optional)
	Adjustability	+35° / -90°
	Protection Factor	IP67 (IP66 Junction Box) / Suitable For Wet Locations
	IK Rating	IK06
	Cooling System	Convection
	Operating Ambient Temperature	-20 °C / +45 °C (-4 °F / +113 °F)
Operating Temperature	+80 °C @ Ambient +45 °C (+176 °F @ Ambient +113 °F)	
Total Heat Dissipation	140 BTU/h (calculated)	
<b>CERTIFICATION</b>	Listings	ETL / cETL, CE, RoHS
<b>ACCESSORIES</b>		Optical Demo Set for ArcSource Outdoor 16 MC Integral
		Top Hat ArcSource Outdoor 16 MC
		Half Top Hat ArcSource Outdoor 16 MC
		Floor Stand ArcSource Outdoor 16 MC
		Land Spike for ASO 16MC
		Tenon Adaptor for ASO 16MC (63 - 80 mm   80 - 106 mm)
		Pole Clamp for ASO 16MC (63 - 80 mm   80 - 105 mm)

**DIMENSIONS**



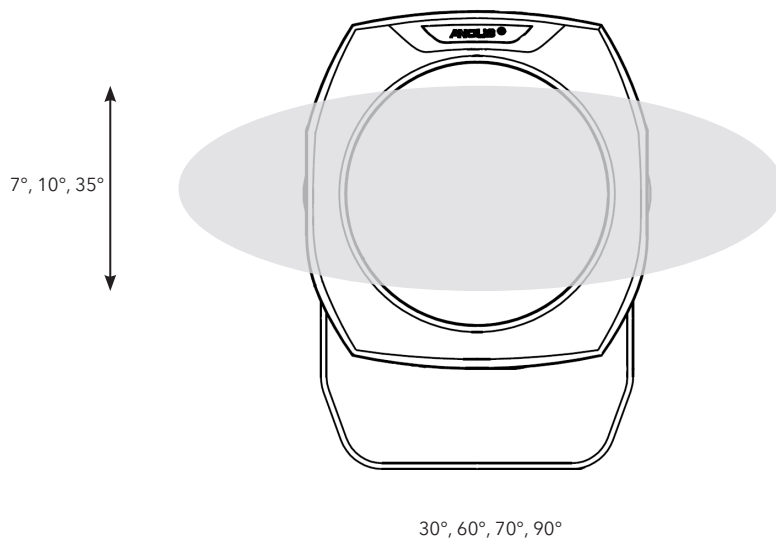
**PHOTOMETRIC OVERVIEW**

Lumen Output (lm)

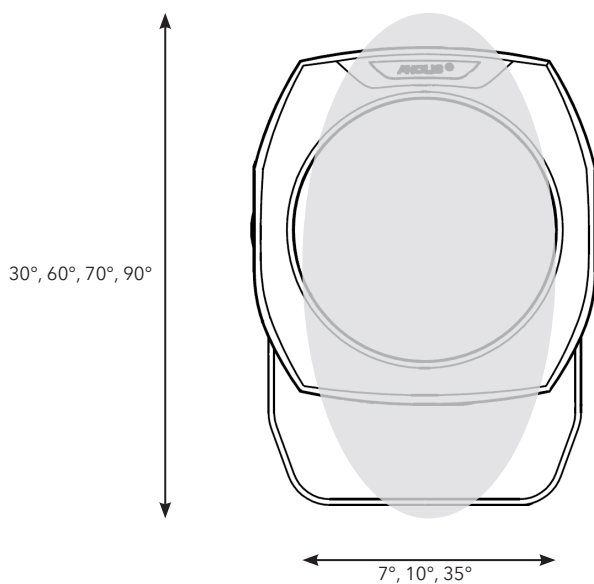
	RGBCW (W 6500 K)	RGBA	CW (6500 K)	WW (W 3000 K)	SW (W 5000 K)
<b>7°</b>	1 383	1 221	1 947	1 383	1 532
<b>13°</b>	1 383	1 221	1 947	1 383	1 532
<b>20°</b>	1 366	1 205	1 923	1 366	1 513
<b>30°</b>	1 361	1 201	1 916	1 361	1 508
<b>40°</b>	1 358	1 198	1 911	1 358	1 504
<b>60°</b>	1 354	1 196	1 907	1 354	1 500
<b>90°</b>	1 319	1 164	1 857	1 319	1 461
<b>7° x 30°, 30° x 7°</b>	1 329	1 173	1 871	1 329	1 472
<b>7° x 60°, 60° x 7°</b>	1 310	1 156	1 844	1 310	1 451
<b>35° x 70°, 70° x 35°</b>	1 325	1 169	1 865	1 325	1 467
<b>10° x 90°, 90° x 10°</b>	1 234	1 089	1 738	1 234	1 368

**BI-SYMMETRICAL BEAM ANGLES**

Bi-symmetrical: 7°x30°, 7°x60°, 35°x70°, 10°x90°

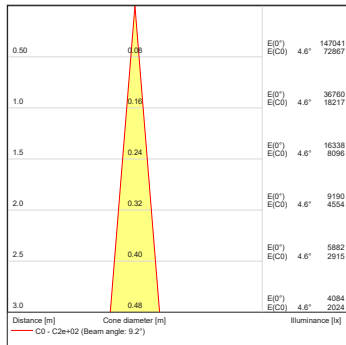
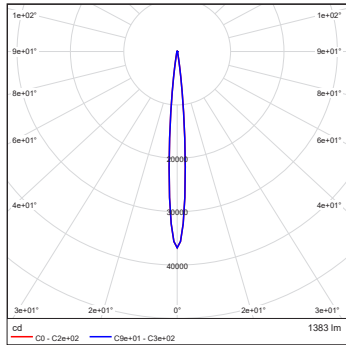


Bi-symmetrical: 30°x7°, 60°x7°, 70°x35°, 90°x10°

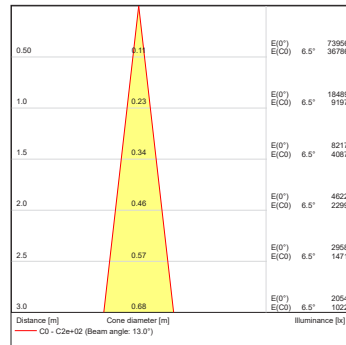
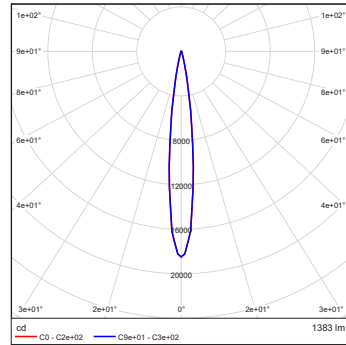


PHOTOMETRIC DATA

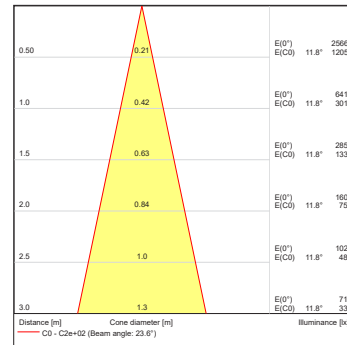
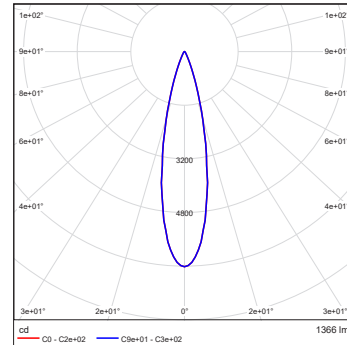
ArcSource Outdoor 16MC Integral RGBCW 7dg



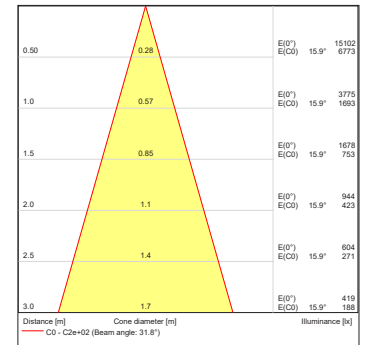
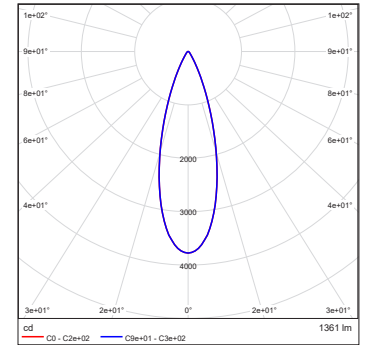
ArcSource Outdoor 16MC Integral RGBCW 13dg



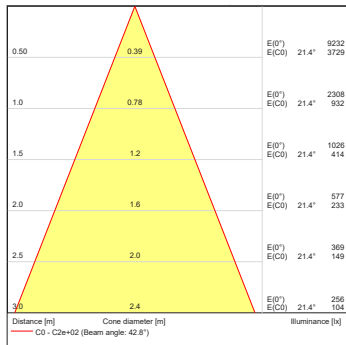
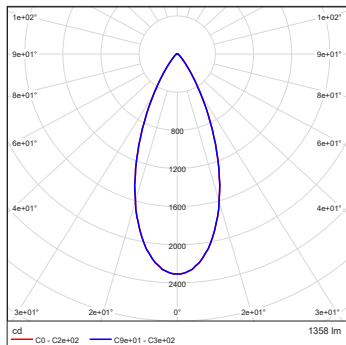
ArcSource Outdoor 16MC Integral RGBCW 20dg



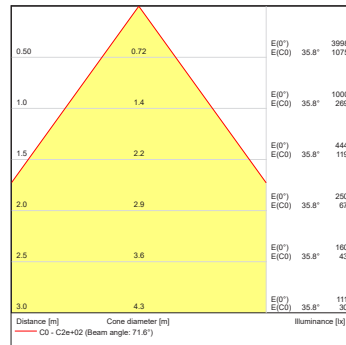
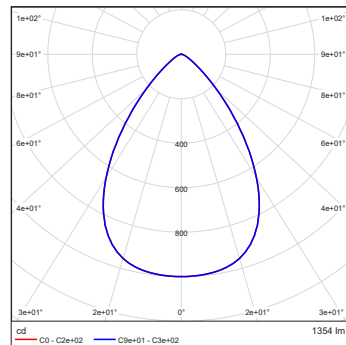
ArcSource Outdoor 16MC Integral RGBCW 30dg



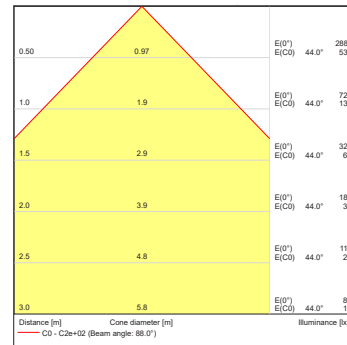
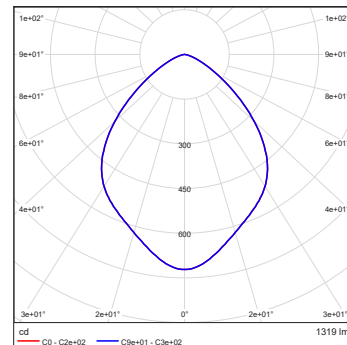
ArcSource Outdoor 16MC Integral RGBCW 40dg



ArcSource Outdoor 16MC Integral RGBCW 60dg

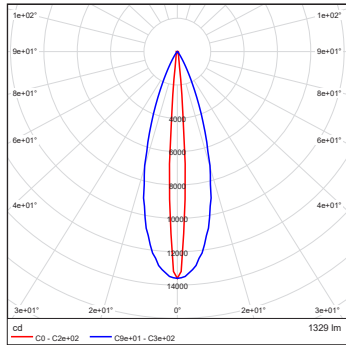


ArcSource Outdoor 16MC Integral RGBCW 90dg



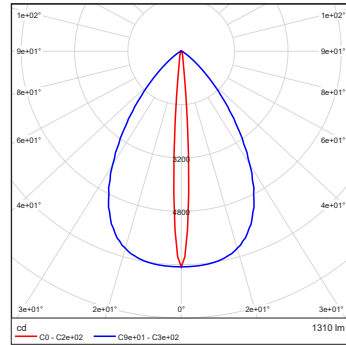
PHOTOMETRIC DATA

ArcSource Outdoor 16MC Integral  
RGBCW 7dg x 30dg



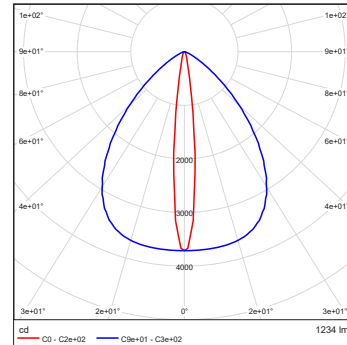
Distance [m]	Cone diameter [m]	Beam angle	E(0°)	E(C90)	E(C0)	Iluminance [lx]
0.50	0.37	7.8°	54381	16.3°	24220	27640
1.0	0.58	7.8°	13595	16.3°	6057	6910
1.5	0.88	7.8°	6042	16.3°	2692	3071
2.0	1.2	7.8°	3399	16.3°	1514	1727
2.5	1.5	7.8°	2175	16.3°	969	1106
3.0	1.8	7.8°	1511	16.3°	673	768

ArcSource Outdoor 16MC Integral  
RGBCW 7dg x 60dg



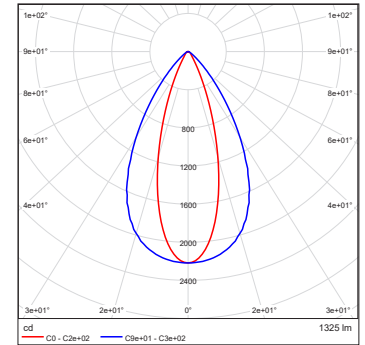
Distance [m]	Cone diameter [m]	Beam angle	E(0°)	E(C90)	E(C0)	Iluminance [lx]
0.50	0.99	69.4°	25862	34.7°	7200	12083
1.0	1.4	69.4°	6466	34.7°	1800	3321
1.5	2.1	69.4°	2874	34.7°	800	1476
2.0	2.8	69.4°	1616	34.7°	450	830
2.5	3.5	69.4°	1034	34.7°	288	531
3.0	4.2	69.4°	718	34.7°	200	369

ArcSource Outdoor 16MC Integral  
RGBCW 10dg x 90dg



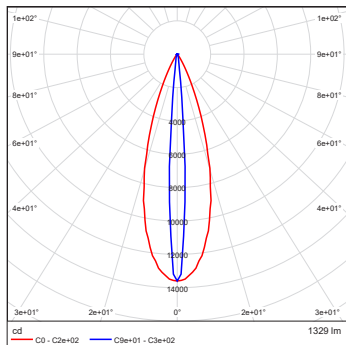
Distance [m]	Cone diameter [m]	Beam angle	E(0°)	E(C90)	E(C0)	Iluminance [lx]
0.50	0.99	83.8°	14845	41.9°	3078	7332
1.0	1.8	83.8°	3711	41.9°	769	1833
1.5	2.7	83.8°	1649	41.9°	342	815
2.0	3.6	83.8°	928	41.9°	192	458
2.5	4.5	83.8°	594	41.9°	123	293
3.0	5.4	83.8°	412	41.9°	85	204

ArcSource Outdoor 16MC Integral  
RGBCW 35dg x 70dg



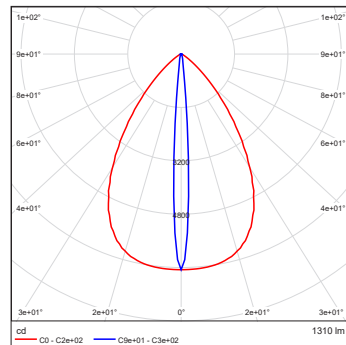
Distance [m]	Cone diameter [m]	Beam angle	E(0°)	E(C90)	E(C0)	Iluminance [lx]
0.50	0.33	60.8°	8867	30.4°	2855	3960
1.0	0.58	60.8°	2217	30.4°	714	990
1.5	0.87	60.8°	885	30.4°	317	440
2.0	1.2	60.8°	554	30.4°	178	248
2.5	1.4	60.8°	355	30.4°	114	158
3.0	1.7	60.8°	246	30.4°	79	110

ArcSource Outdoor 16MC Integral  
RGBCW 30dg x 7dg



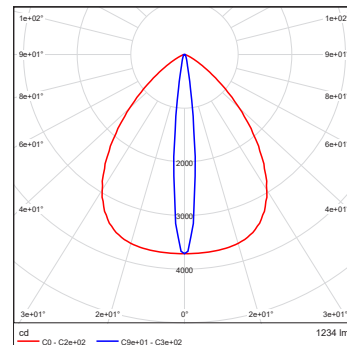
Distance [m]	Cone diameter [m]	Beam angle	E(0°)	E(C90)	E(C0)	Iluminance [lx]
0.50	0.37	32.2°	54381	3.9°	27640	24220
1.0	0.58	32.2°	13595	3.9°	6057	6910
1.5	0.88	32.2°	6042	3.9°	2692	3071
2.0	1.2	32.2°	3399	3.9°	1514	1727
2.5	1.5	32.2°	2175	3.9°	969	1106
3.0	1.8	32.2°	1511	3.9°	673	768

ArcSource Outdoor 16MC Integral  
RGBCW 60dg x 7dg



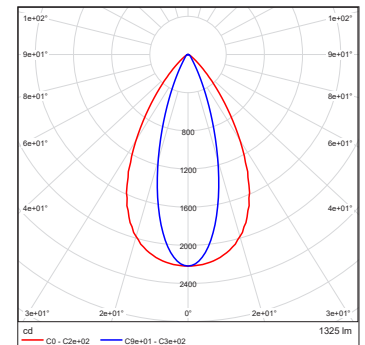
Distance [m]	Cone diameter [m]	Beam angle	E(0°)	E(C90)	E(C0)	Iluminance [lx]
0.50	0.99	69.4°	25862	3.9°	12083	7200
1.0	1.4	69.4°	6466	3.9°	3321	1800
1.5	2.1	69.4°	2874	3.9°	800	1476
2.0	2.8	69.4°	1616	3.9°	450	830
2.5	3.5	69.4°	1034	3.9°	288	531
3.0	4.2	69.4°	718	3.9°	200	369

ArcSource Outdoor 16MC Integral  
RGBCW 90dg x 10dg



Distance [m]	Cone diameter [m]	Beam angle	E(0°)	E(C90)	E(C0)	Iluminance [lx]
0.50	0.99	12.2°	14845	6.1°	7332	3078
1.0	1.8	12.2°	3711	6.1°	1833	769
1.5	2.7	12.2°	1649	6.1°	815	342
2.0	3.6	12.2°	928	6.1°	458	192
2.5	4.5	12.2°	594	6.1°	293	123
3.0	5.4	12.2°	412	6.1°	204	85

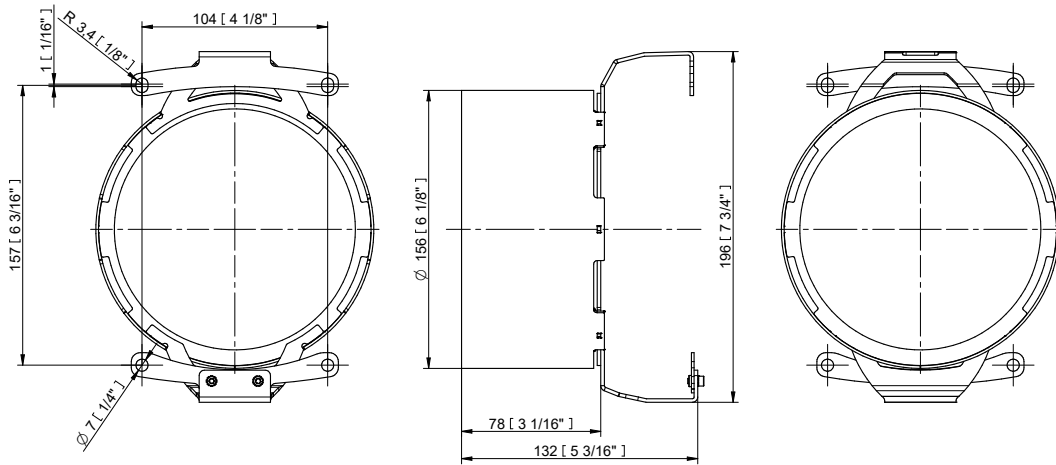
ArcSource Outdoor 16MC Integral  
RGBCW 70dg x 35dg



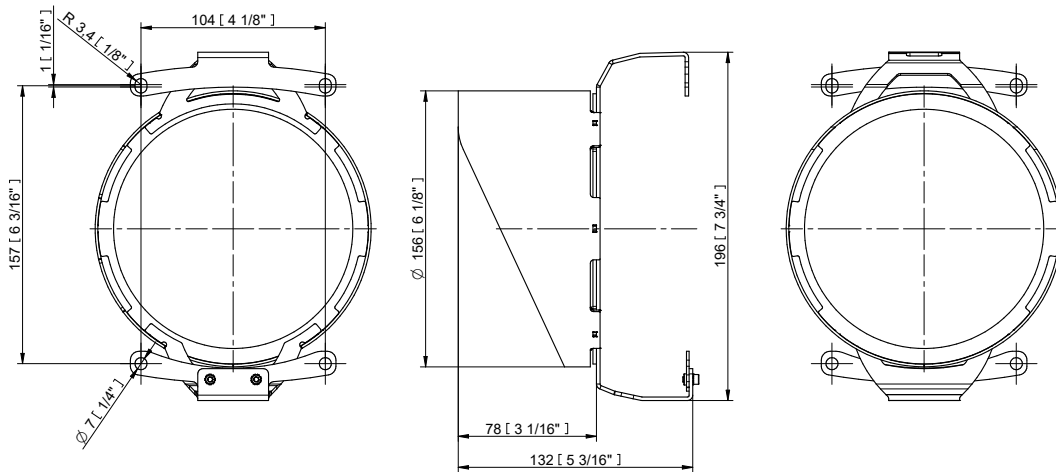
Distance [m]	Cone diameter [m]	Beam angle	E(0°)	E(C90)	E(C0)	Iluminance [lx]
0.50	0.33	32.2°	8867	16.1°	3960	2855
1.0	0.58	32.2°	2217	16.1°	990	714
1.5	0.87	32.2°	885	16.1°	440	317
2.0	1.2	32.2°	554	16.1°	248	178
2.5	1.4	32.2°	355	16.1°	158	114
3.0	1.7	32.2°	246	16.1°	79	110

**ACCESSORIES FOR ARCSOURCE OUTDOOR 16MC INTEGRAL**

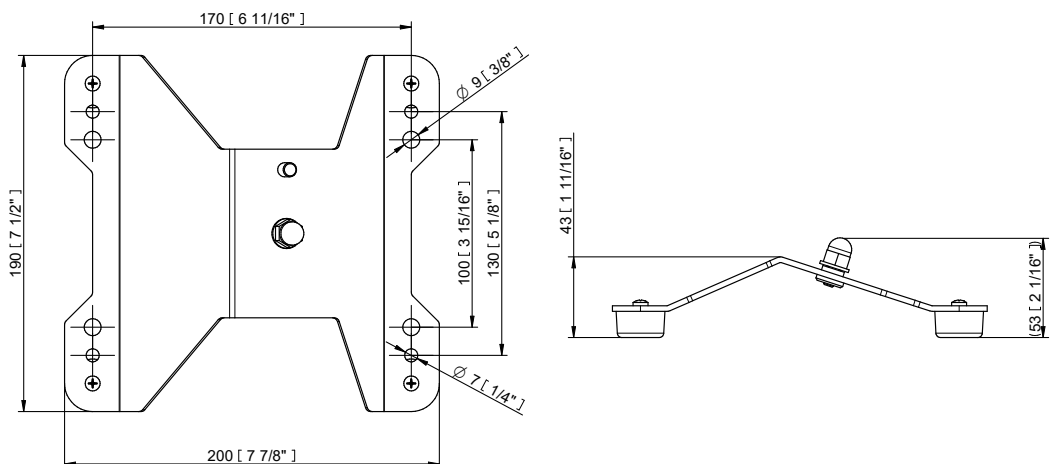
Top Hat



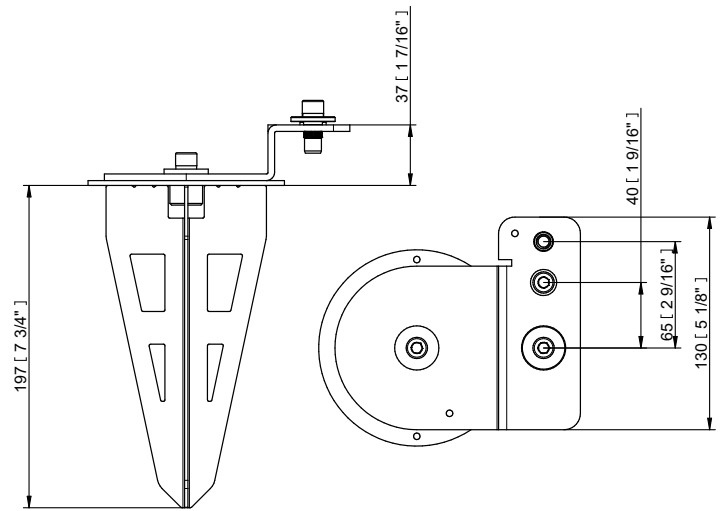
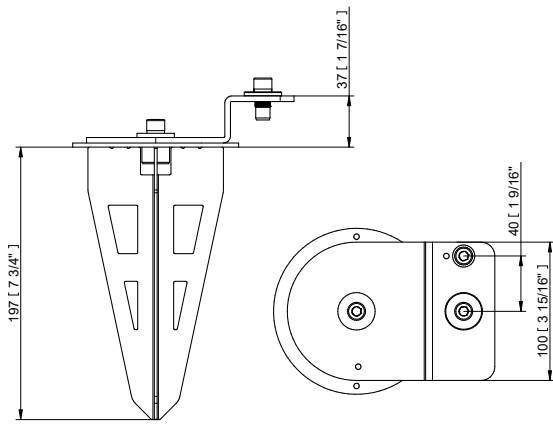
Half Top Hat



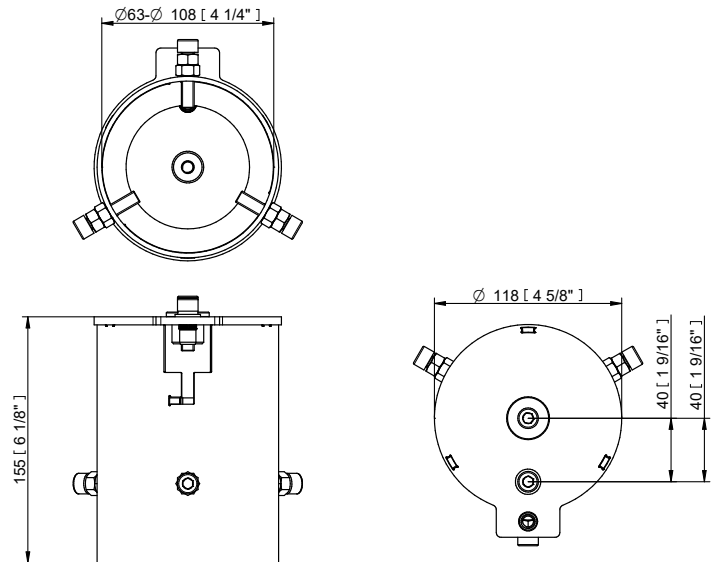
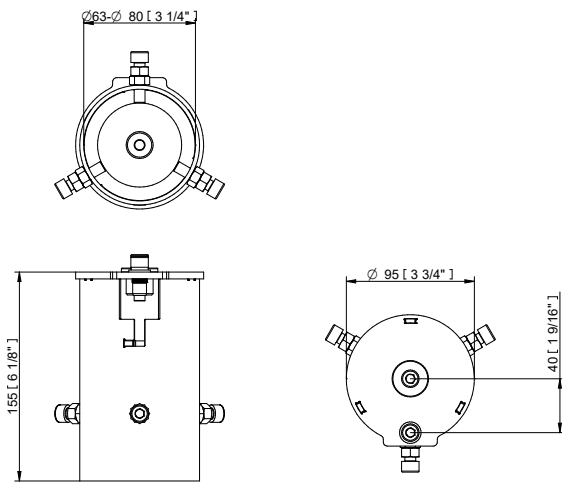
Floor Stand



Land Spike 100 mm / 130 mm



Tenon Adaptor  $\varnothing 63 - 80 \text{ mm} / \varnothing 80 - 106 \text{ mm}$



Pole Clamp  $\varnothing 63 - 80 \text{ mm} / \varnothing 80 - 105 \text{ mm}$

