

ARCSource™ INGROUND 24MC SLEEVE

INSTALLATION INSTRUCTIONS

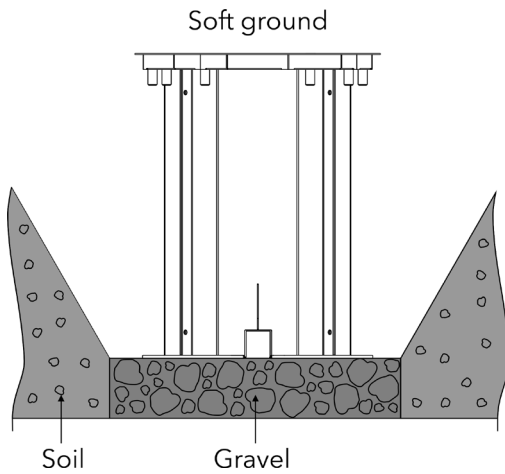


The unit must be installed by a qualified electrician in accordance with all applicable regulations including local and national construction and electrical codes.

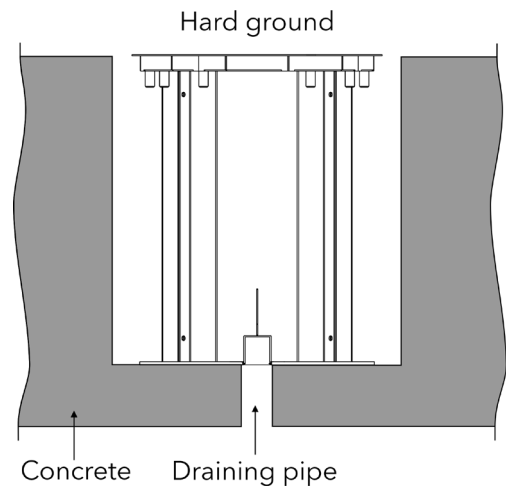


STEP 1 PREPARE WORK

1A



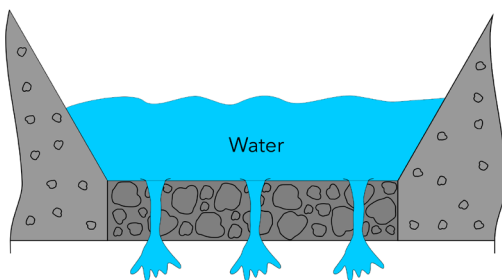
1B



STEP 2 DRAINAGE TEST

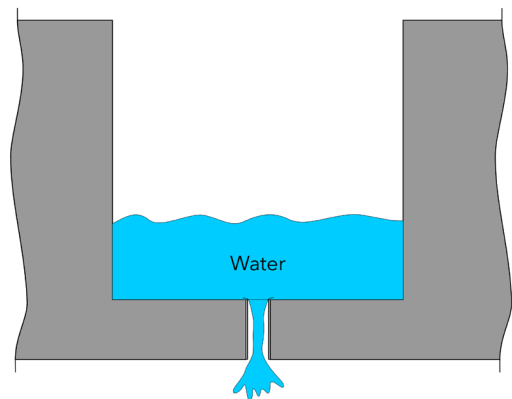
1A

Soft ground test drainage



1B

Hard ground test drainage



Perform test by filling mounting hole with water.
Water must drain away within 30 minutes.



Drainage Test

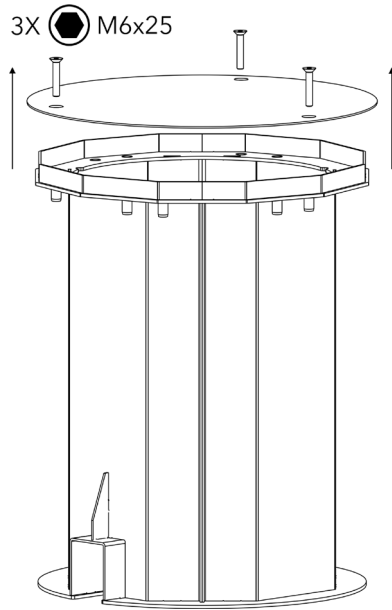
	WATER VOLUME	DRAINAGE RATE
ArcSource	26 l	26 l/30 min.

ARC SOURCE™ INGROUND 24MC SLEEVE

INSTALLATION INSTRUCTIONS

STEP 3 MOUNTING SLEEVE PREP

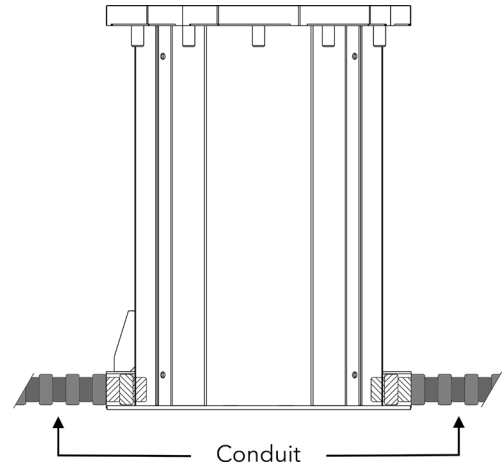
1



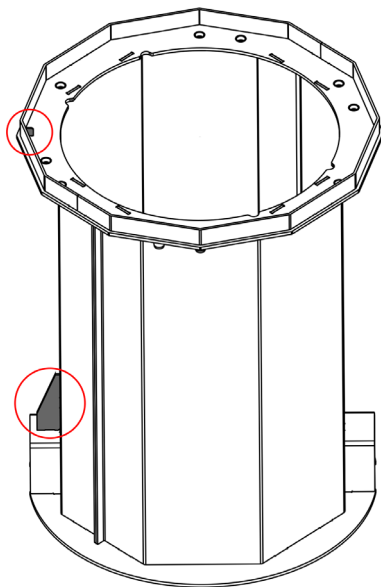
dismount top cover and install mounting sleeve into prepared hole.

2 Conduit intallation (scope of others)

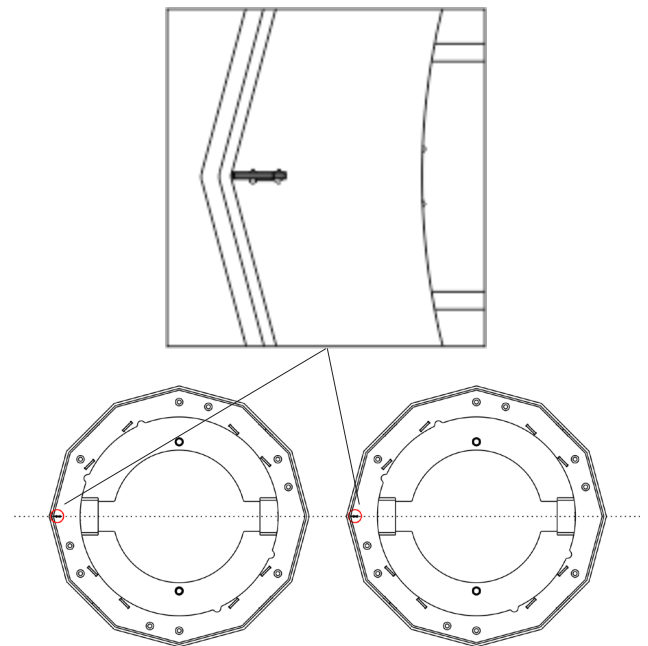
⚠ The power/data cable to and from the mounting sleeve must be placed in a conduit ⚠



3 In-line installation of sleeves



Projection on the Sleeve

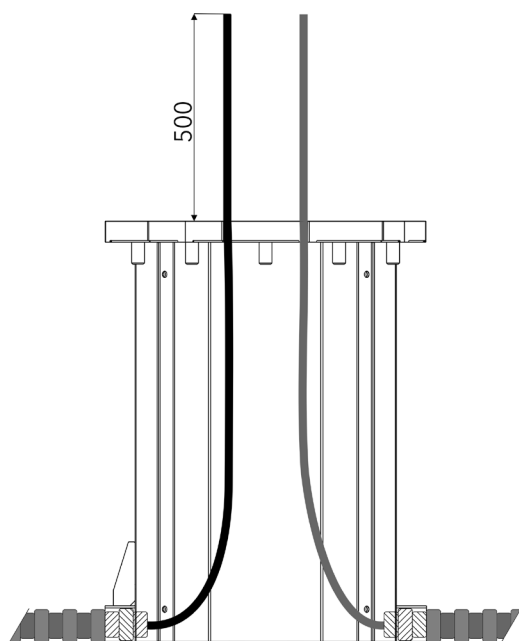


If units are installed in a row, keep the projection on the sleeve housing on the same side at all units to keep the same direction of tilting of LED modules.

ARCSOURCE™ INGROUND 24MC SLEEVE

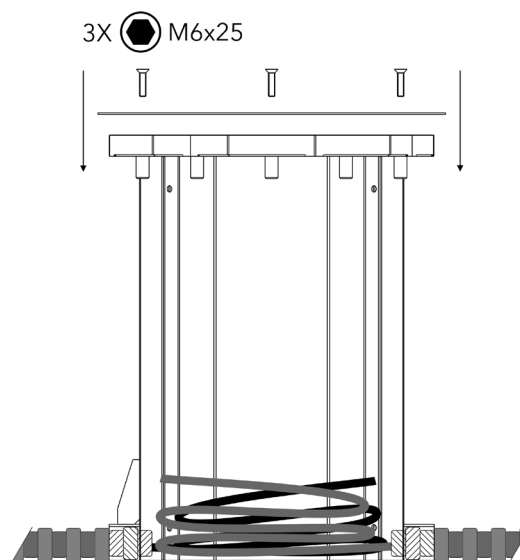
INSTALLATION INSTRUCTIONS

4



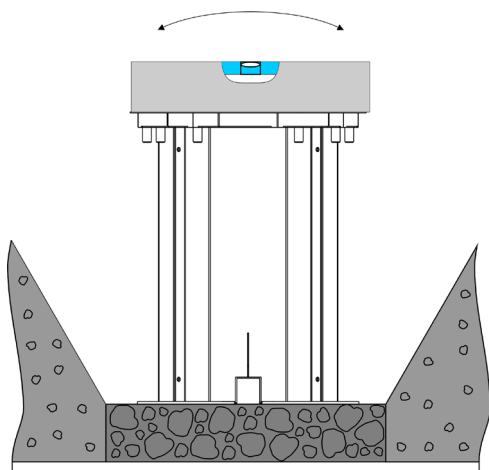
Run cable into mounting sleeve via conduit and leave about 50cm above sleeve for connection of luminaire.

5

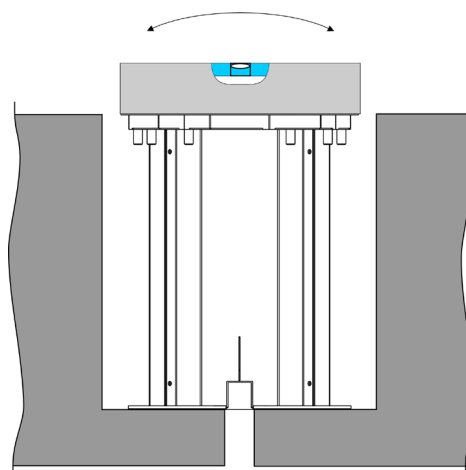


Seal the cables and protect against water intusion. Place cables into sleeve and install top cover.

6A



6B



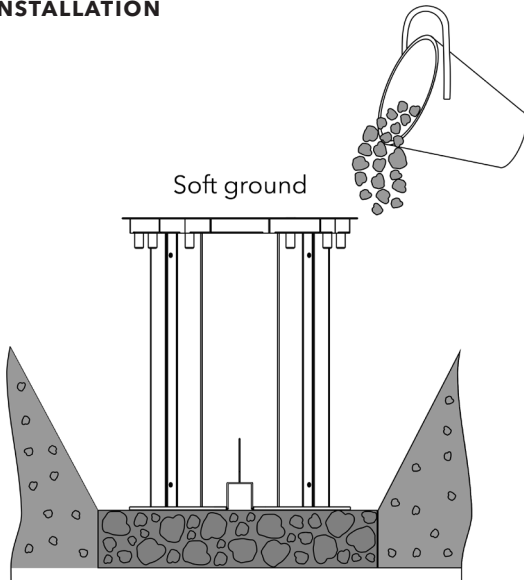
Put the mounting sleeve into position and level.

ARCOURCE™ INGROUND 24MC SLEEVE

INSTALLATION INSTRUCTIONS

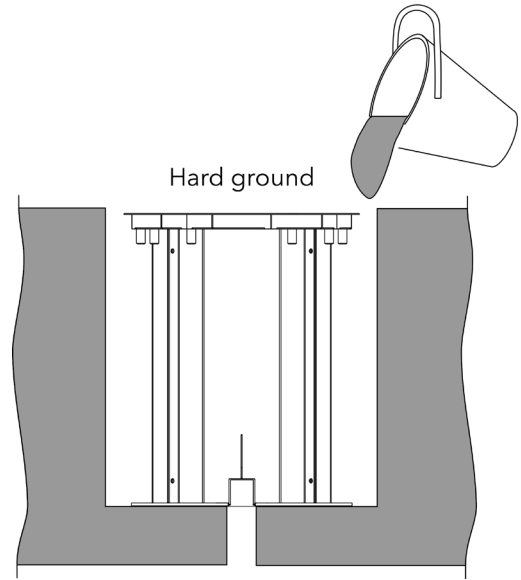
STEP 7 FINISH INSTALLATION

1A



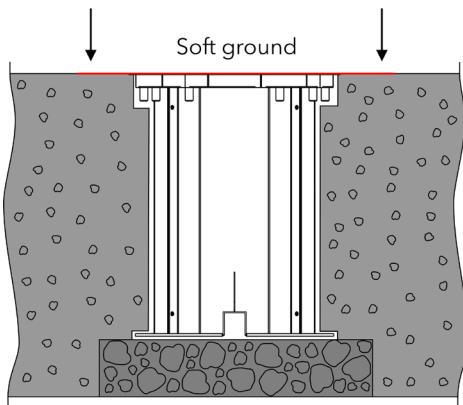
Soft ground - hole can be filled with soil or gravel.

1B

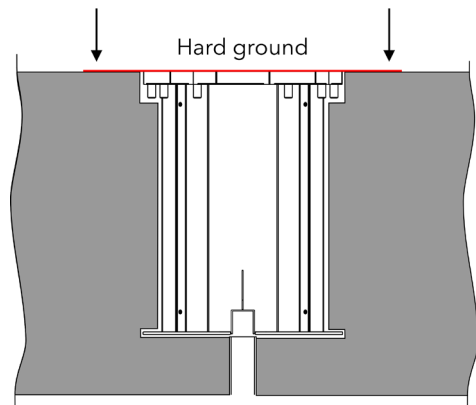


Hard ground - hole can be filled with soil, gravel, or concrete. Insure the fill material does not obstruct the drainage.

2A



2B



Fill material should be level with top of fixture.