

AMBIANE™ XP56 PENDANT REMOTE

INSTALLATION INSTRUCTIONS



The unit must be installed by a qualified electrician in accordance with all national and local electrical and construction codes and regulations. ws

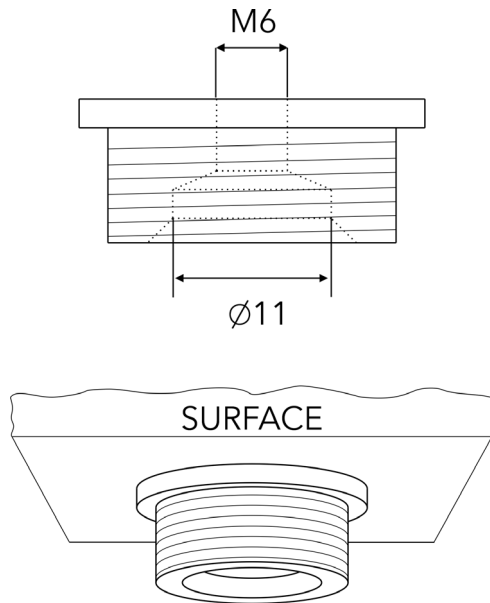


STEP 1 CEILING ADAPTER INSTALLATION

1

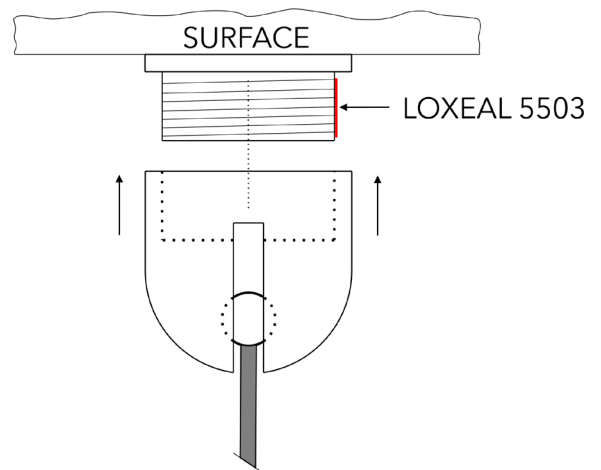


Use fasteners that are appropriate for use with your mounting surface.



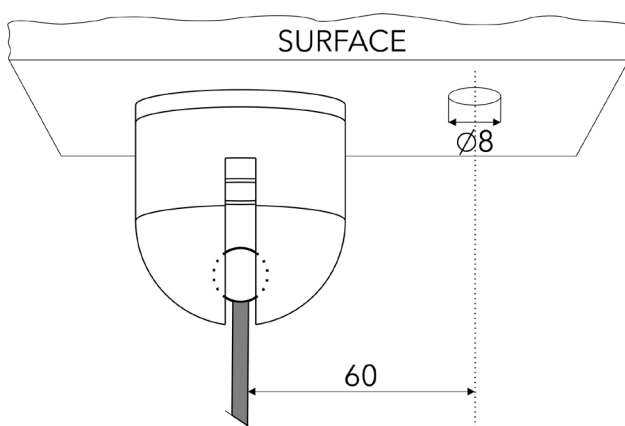
Fasten the adapter to the lower ceiling.

2



Screw the spherical cap with the hanging wire to the ceiling plate. Recommendation- use thread glue LOXEAL 5503 to prevent self loosening of the adaptor.

3

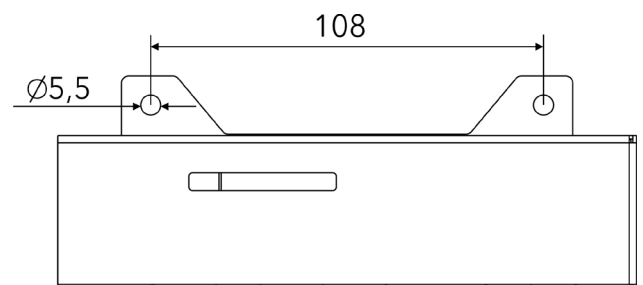


Drill the hole Ø8mm in the lower ceiling for the LED unit supply cable. If you wish to have the LED unit supply cable parallel with the hanging wire, the distance between the hanging wire and the LED unit supply cable should be 60mm

STEP 2 CONTROL UNIT INSTALLATION



Use fasteners that are appropriate for use with your mounting surface.



Fasten the control unit on the ceiling by means of two holes in the control units housing

AMBIANE™ XP56 PENDANT REMOTE

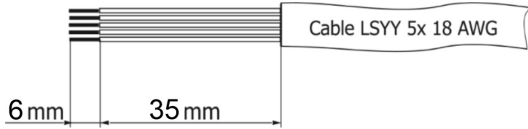
INSTALLATION INSTRUCTIONS

STEP 3 LED UNIT CABLE CONNECTION

1

Shorten the cable to required length.

2

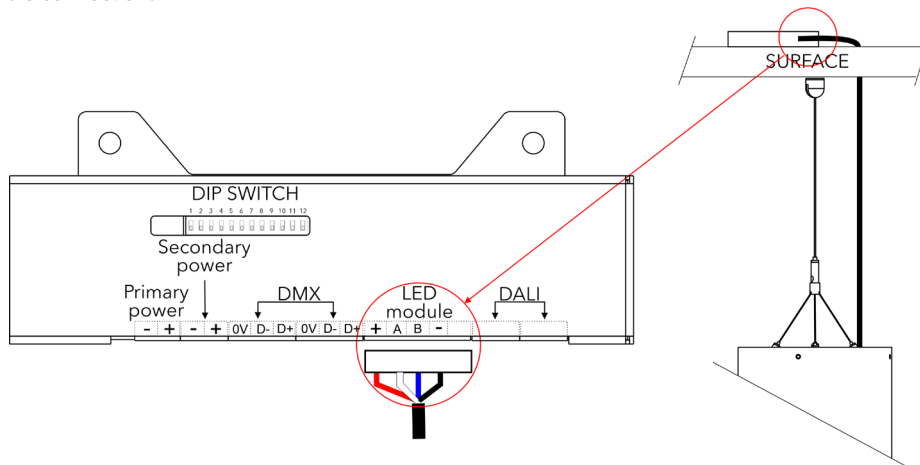


LED Unit Connection

TERMINAL BLOCK	+	A	B	-
Colour of Wire	Red	White	Blue	Black

Strip these lengths for cable connections.

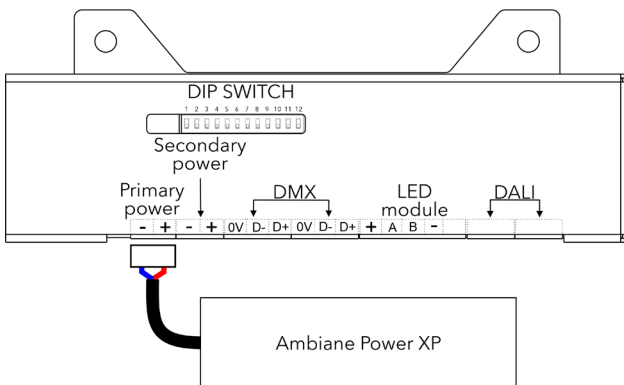
3



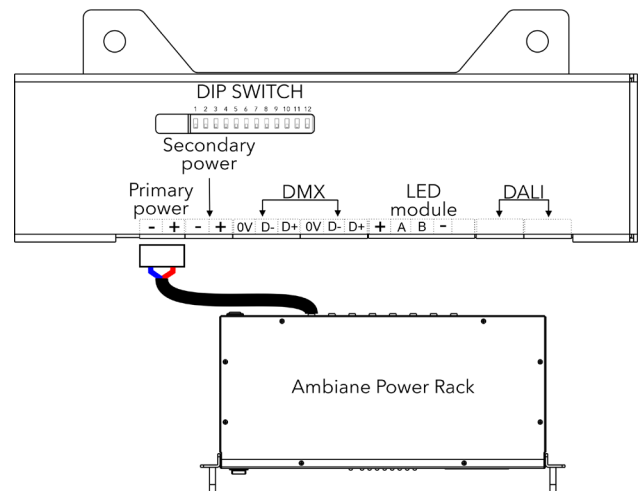
Pull the LED unit's cable through prepared hole in the ceiling and secure it above ceiling. Install a terminal block on the cable and connect it to the control unit.

STEP 4 PRIMARY POWER CONNECTION

1A



1B

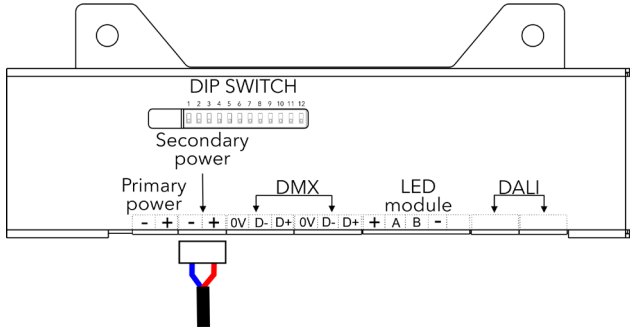


Install terminal block on primary power cable and connect it to the control unit.

AMBIANE™ XP56 PENDANT REMOTE

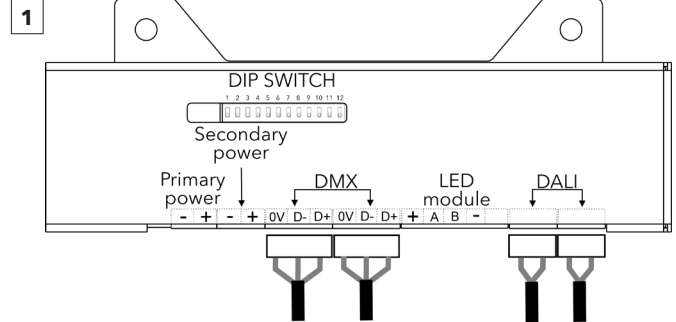
INSTALLATION INSTRUCTIONS

STEP 5 SECONDARY POWER CONNECTION 48V (PSU SCOPE OF OTHERS)



Install terminal block on secondary power cable and connect it to the control unit.

STEP 6 IN/OUT DATA CHAIN CONNECTION



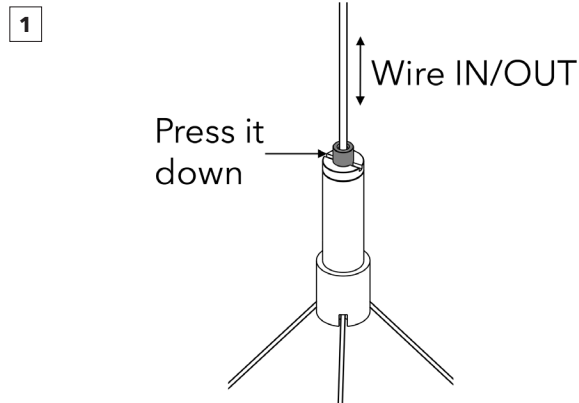
Install terminal blocks on DMX or DALI cables and connect them to the control unit.

2

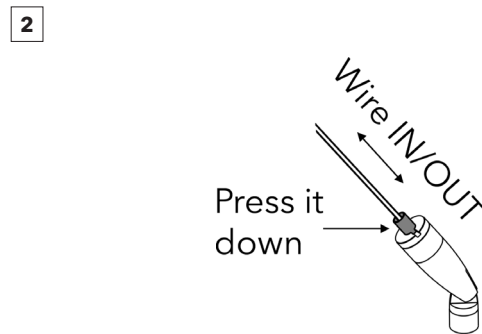
DMX CONNECTION		
0V	D-	D+
Data Ground	Data -	Data +

Set the DIP switches to positions according to your operation mode. The fixture can be controlled by DMX or DALI. Set 11=OFF for control by DMX or DALI.

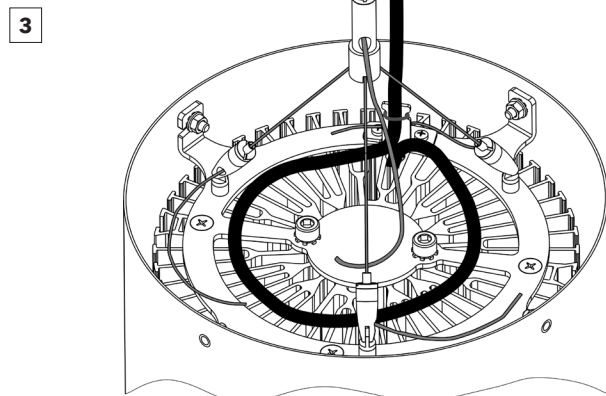
STEP 7 ADJUSTING THE HANGING WIRE LENGTH



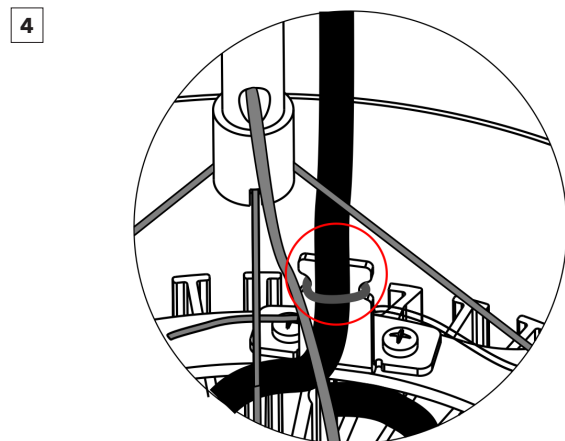
Press down the pin on the wires connector for length adjustment.



Press down pins on the hanging wires anchors for length and downward orientation adjustment.



Store an redundant cable as instructed on the picture above. Maximum of one full loop to prevent overheating.



Fasten the LED unit's cable to holder using a cable binder.