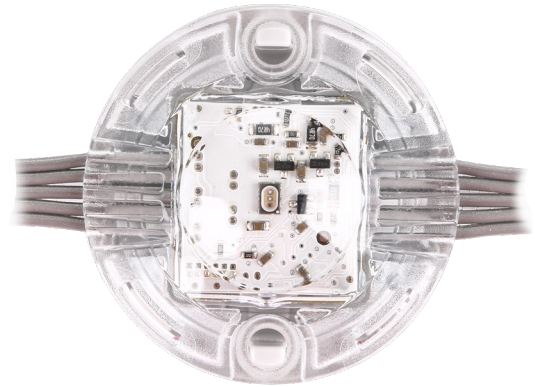


ARCPIX™ II

Perfect for complex pixel mapping and media effects on structural surfaces, the ArcPix™ from Anolis is suitable for both interior and exterior applications. The plug and play electronics allow for up to 400 units to be combined with a single ArcPixel™ Power unit, giving lighting designers great flexibility to create dramatic visual effects in a variety of colours. The IP67 rating ensures the fixtures are tough enough to withstand the harshest environmental conditions, giving optimum performance for many years.



KEY FEATURES

Small, clear polycarbonate covered controllable media fixture with up to 400 units per ArcPixel™ Power unit. Cable length is measured from centre of each device.

Lumen Output & Light Source

Lumen output of 86 lm is provided by one multichip LED.

Projected Lumen Maintenance

The projected lumen maintenance is 50,000 hours (L70@25°C).

Power Consumption

Low 0.8W energy consumption provides excellent efficiency at low operating costs.

Physical

Molded plastic body with clear polycarbonate cover provides a compact and durable lighting solution. The fixture's physical dimensions are 56 x 24 mm (2.21 x 0.95 in) and it weighs 0.1 kg (0.22 lbs).

COLOURS



RGBW

CONTROL & PROTOCOLS



STANDARD & SPECIFICATION



2 Year
Warranty

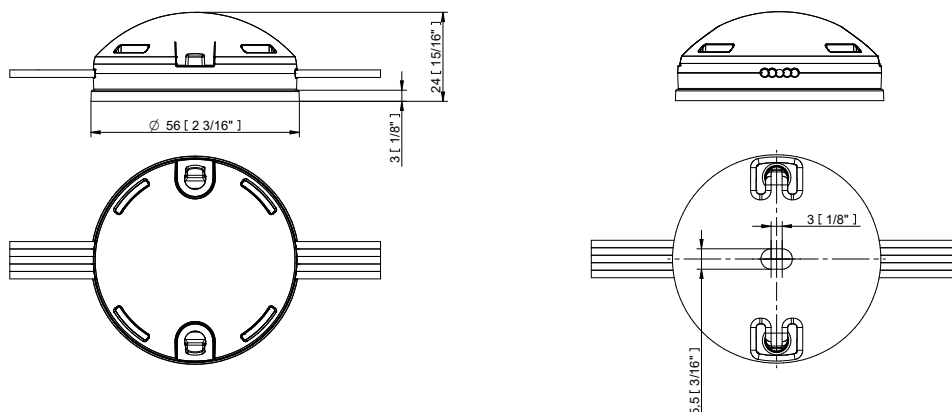
5 Year
Warranty
(Registered)

OPTIC OPTIONS



No Optic
Direct view

DIMENSIONS

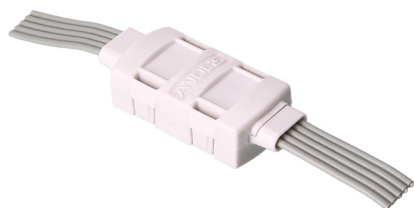


ARCPIX II PIXEL SPECIFICATION

ELECTRICAL	Input Voltage	48 V
	Typical Power Consumption	0.8 W / 48 V
OPTICAL	Light Source	1 x MC Mid Power LED
	Colour Variants	RGBCW (W - 6500 K)
	Beam Angle	non-optic
	Lumen Output Delivered	86 lm (RGBW, W - 6500 K, all LEDs on full)
	Projected Lumen Maintenance	50.000 hrs (L70 @ 25 °C / 77 °F)
CONTROL	Control System	ArcPixel Power, ArcPower Unit Pixel
	Power Supply	ArcPixel Power, ArcPower Unit Pixel
PHYSICAL	Width x Height	Ø 56 x 24 (Ø 2.21 x 0.95 in.)
	Weight	0.1 kg / 0.22 lbs
	Housing	Moulded Plastic
		Polycarbonate Cover
	Cables / Connections	5 Wire Flat Cable AWM 295720AWG- Factory Fitted Connector
	Mounting Method	Mounting Plate or Direct Fitting
	Protection Factor	IP67 / Suitable For Wet Locations
	IK Rating	IK09
	Cooling System	Convection
	Operating Ambient Temperature	-20 °C / +50 °C (-4 °F / +122 °F)
Operating Temperature	+50 °C @ Ambient +40 °C (+122 °F @ Ambient +104 °F)	
CERTIFICATION	Listings	ETL / cETL, CE, RoHS
ACCESSORIES		Connection Cable
		Connection Box
		Termination Box (1 per run)

ACCESSORIES

Connection Box

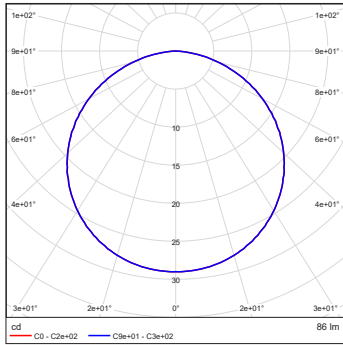


Termination Box



PHOTOMETRIC DATA

ArcPix II RGBCW



Distance [m]	Cone diameter [m]	E(0°) E(C0)	E(0°) E(C0)	Illuminance [lx]
0.50	1.6	116	8.7	
1.0	3.2	29	2.2	
1.5	4.8	13	0.97	
2.0	6.4	7.2	0.55	
2.5	8.0	4.6	0.35	
3.0	9.6	3.2	0.24	

Distance [m] Cone diameter [m] Illuminance [lx]
 — C0 - C2+02 (beam angle: 115.8°)

PHOTOMETRIC OVERVIEW

Lumen Output (lm)	
RGBCW (6500 K)	
No Optic - Direct View	86