

ARCOURCE™ OUTDOOR 16MC INTEGRAL

Producing the same light output as the ArcSource™ Outdoor 16MC but with an integral power supply, this fixture reduces installation complexity. The fixture is available in a wide range of beam angles and colour variants, making it perfect for a broad range of applications including landscape, façade and structural illumination. Built to last, this fixture has an IP67 rating, meaning it is tough enough to withstand the harshest weather conditions.



KEY FEATURES

Smallest of the outdoor multichip family, powerful and robust with integrated driver & control electronics.

Lumen Output & Light Source

Lumen output of 1,383 lm is provided by four high-power multichip LEDs (RGBCW version).

Projected Lumen Maintenance

The projected lumen maintenance is 60,000 hours (L70@ 25 °C).

Power Consumption

42W energy consumption provides excellent efficiency at low operating costs.

Physical

The durable cast aluminium body with a lens covered by tempered glass provides a stylish, compact lighting solution with IP67 certification. The fixture's physical dimensions are 179 x 239 x 176 mm (7.0 x 9.4 x 6.93 in.) and it weighs 5.23 kg (11.53 lbs).

CONTROL & PROTOCOLS



STANDARD & SPECIFICATION



COLOURS



RGBW



RGBA



Pure White

COLOUR TEMPERATURES



PW 3.000 K



RGBW 6.500 K

FINISH OPTIONS



Graphite Black



Silver



Custom Paint Colour

OPTIC OPTIONS

SYMMETRICAL



7°



13°



20°



30°



40°



60°



90°

BI-SYMMETRICAL



7x30°



7x60°



10x90°



35x70°



30x7°



60x7°



90x10°

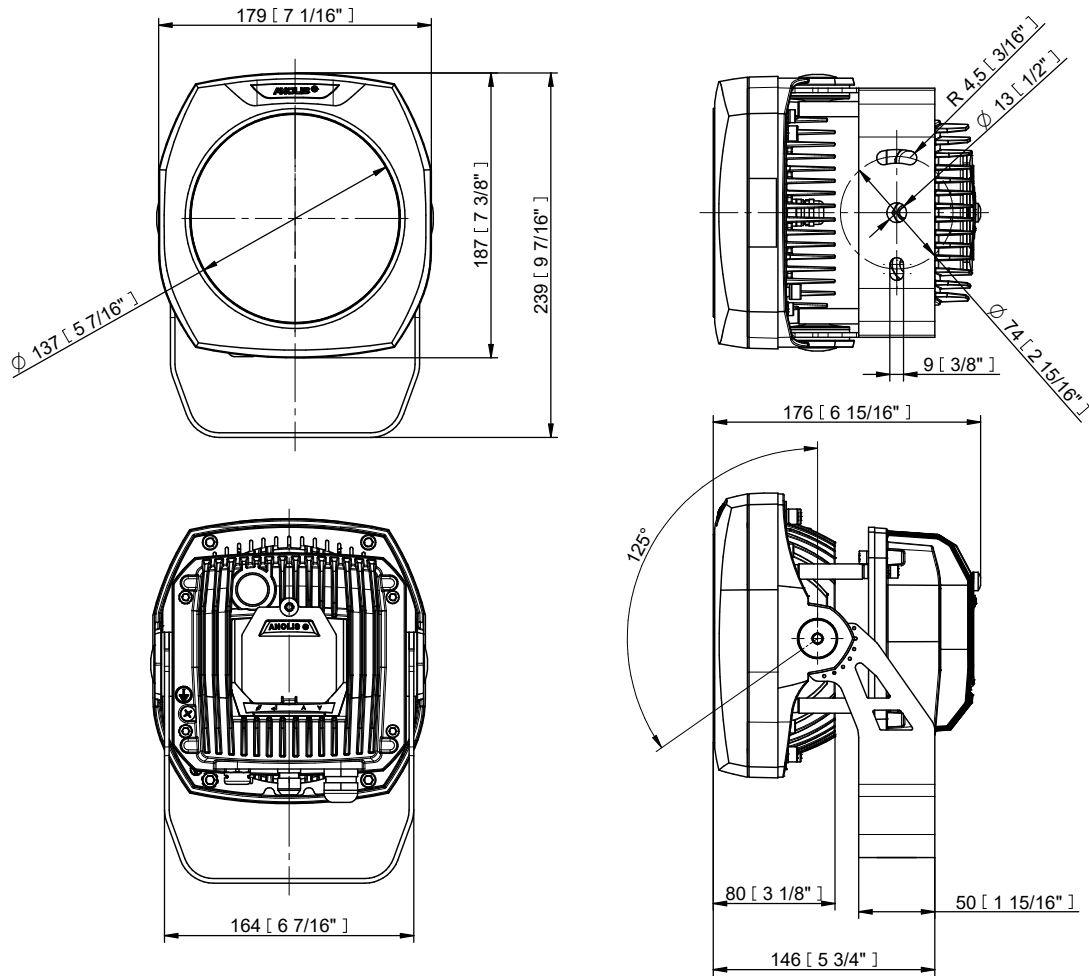


70x35°

ARCSource OUTDOOR 16MC INTEGRAL SPECIFICATION

ELECTRICAL	Input Voltage	100 - 240 V AC 50/60 Hz (CE) 120 - 277 V AC 50/60 Hz (US)
	Typical Power Consumption	42 W +/- 10 %
OPTICAL	Light Source	4 x High Power Multichip LEDs
	Colour Variants	RGBW (W - 6500 K) RGBA PW (W - 3000 K)
	Beam Angle	Symmetrical: 7° 13° 20° 30° 40° 60° 90°
		Bi-symmetrical: 7° x 30° 30° x 7° 7° x 60° 60° x 7° 35° x 70° 70° x 35° 10° x 90° 90° x 10°
	Lumen Output Delivered	1.383 lm (RGBW 7° W - 6500 K, all LEDs on full, 700 mA)
Projected Lumen Maintenance	60.000 hrs (L70 @ 25 °C / 77 °F)	
CONTROL	Display	Two Row LCD Display With Control Buttons
	Wireless DMX (Option)	Lumen Radio CRMX Technology
	Interface Protocol	USITT DMX512, RDM
	Control System	Third Party DMX Controllers
	Operating Modes	DMX, Stand-alone
	Programs / Functions / Features	Editable Program: 3 (up to 40 steps each)
	Settings / Addressing	Via Two Row LCD Display with Control Buttons or RDM communicator
	Power Supply	Integrated
PHYSICAL	Width x Height x Depth	179 x 239 x 194 mm 7.0 x 9.4 x 7.6 in.
	Weight	5.23 kg 11.53 lbs
	Housing	High Pressure Die-Cast Aluminium Body
		Tempered Glass
	Finish Options	Standard Colour - Graphite Black (RAL 9011) Silver (RAL 9006)
		Cost Option - Custom RAL
	Cables / Connections	Li9Y11Y 3 x AWG16 + 1 (2 x AWG24), Junction Box
	Mounting Method	Yoke, Floor Stand (optional)
	Adjustability	+35° / -90°
	Protection Factor	IP67 (IP66 Junction Box) / Suitable For Wet Locations
	IK Rating	IK06
	Cooling System	Convection
	Operating Ambient Temperature	-20 °C / +45 °C (-4 °F / +113 °F)
Operating Temperature	+80 °C @ Ambient +45 °C (+176 °F @ Ambient +113 °F)	
Total Heat Dissipation	140 BTU/h (calculated)	
CERTIFICATION	Listings	ETL / cETL, CE, RoHS
ACCESSORIES		Optical Demo Set for ArcSource Outdoor 16 MC Integral
		Top Hat ArcSource Outdoor 16 MC
		Half Top Hat ArcSource Outdoor 16 MC
		Floor Stand ArcSource Outdoor 16 MC
		Land Spike for ASO 16MC
		Tenon Adaptor for ASO 16MC (63 - 80 mm 80 - 106 mm)
		Pole Clamp for ASO 16MC (63 - 80 mm 80 - 105 mm)

DIMENSIONS



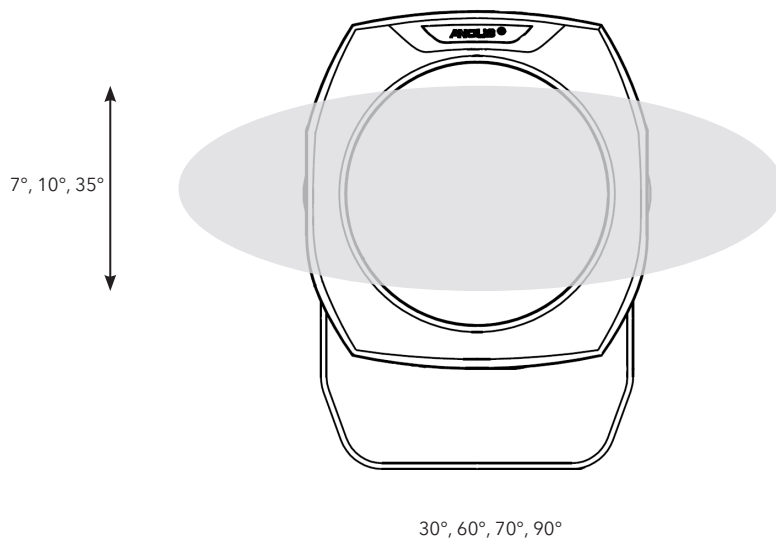
PHOTOMETRIC OVERVIEW

Lumen Output (lm)

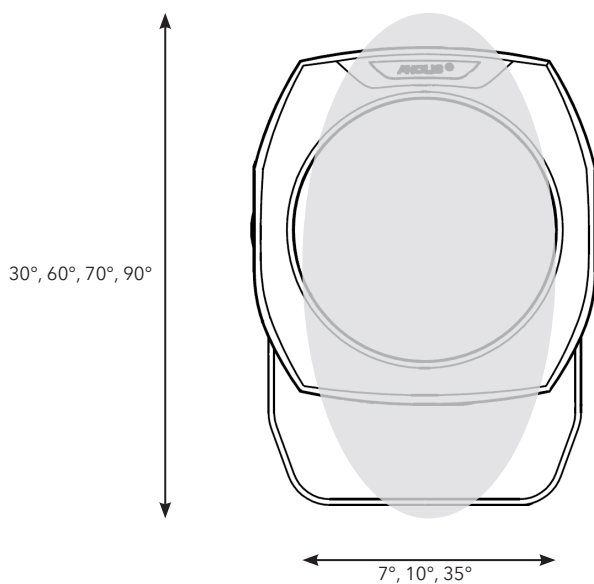
	RGBCW (W 6500 K)	RGBA	CW (6500 K)	WW (W 3000 K)	SW (W 5000 K)
7°	1 383	1 221	1 947	1 383	1 532
13°	1 383	1 221	1 947	1 383	1 532
20°	1 366	1 205	1 923	1 366	1 513
30°	1 361	1 201	1 916	1 361	1 508
40°	1 358	1 198	1 911	1 358	1 504
60°	1 354	1 196	1 907	1 354	1 500
90°	1 319	1 164	1 857	1 319	1 461
7° x 30°, 30° x 7°	1 329	1 173	1 871	1 329	1 472
7° x 60°, 60° x 7°	1 310	1 156	1 844	1 310	1 451
35° x 70°, 70° x 35°	1 325	1 169	1 865	1 325	1 467
10° x 90°, 90° x 10°	1 234	1 089	1 738	1 234	1 368

BI-SYMMETRICAL BEAM ANGLES

Bi-symmetrical: 7°x30°, 7°x60°, 35°x70°, 10°x90°

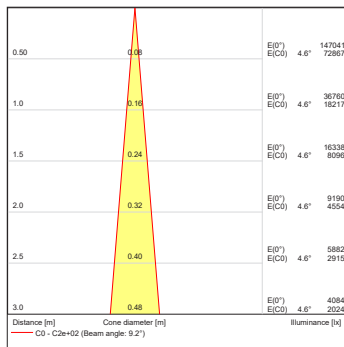
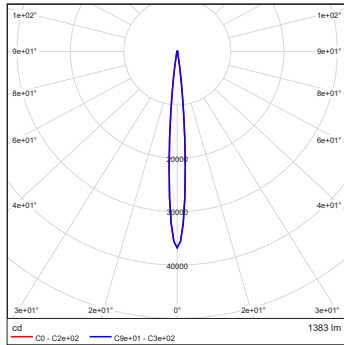


Bi-symmetrical: 30°x7°, 60°x7°, 70°x35°, 90°x10°

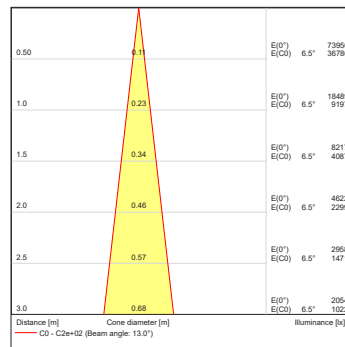
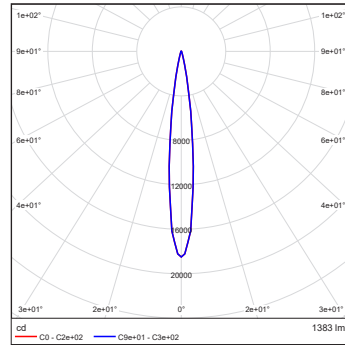


PHOTOMETRIC DATA

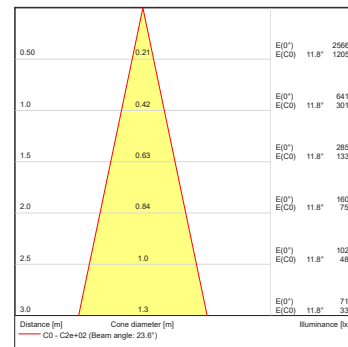
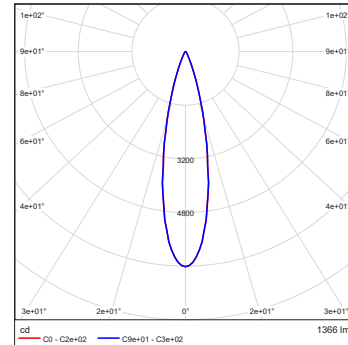
ArcSource Outdoor 16MC Integral RGBCW 7dg



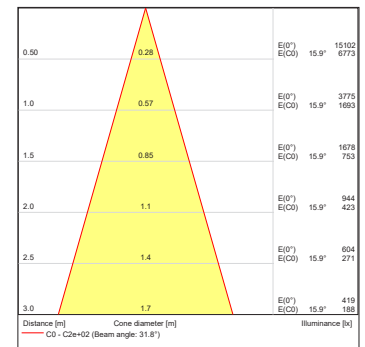
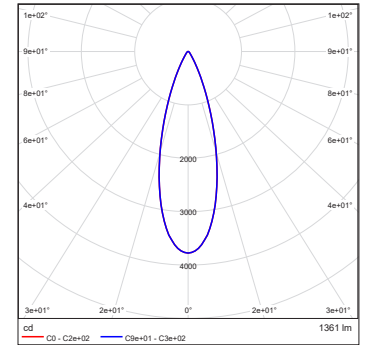
ArcSource Outdoor 16MC Integral RGBCW 13dg



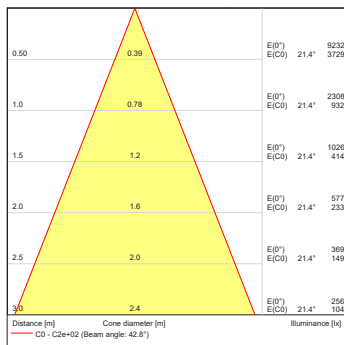
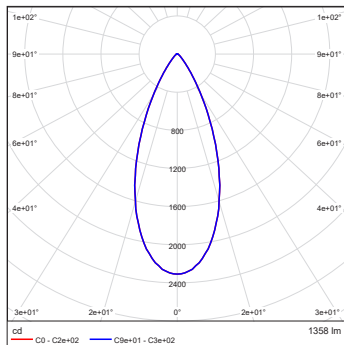
ArcSource Outdoor 16MC Integral RGBCW 20dg



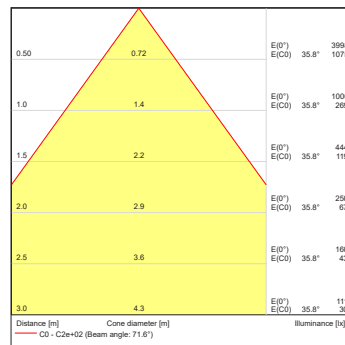
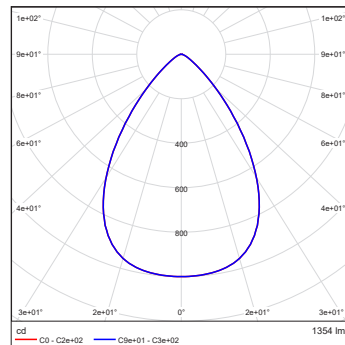
ArcSource Outdoor 16MC Integral RGBCW 30dg



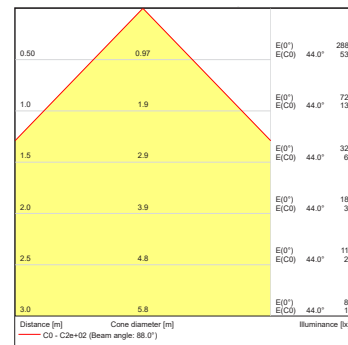
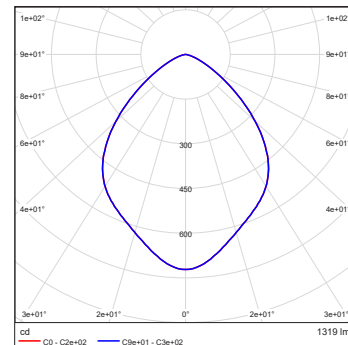
ArcSource Outdoor 16MC Integral RGBCW 40dg



ArcSource Outdoor 16MC Integral RGBCW 60dg

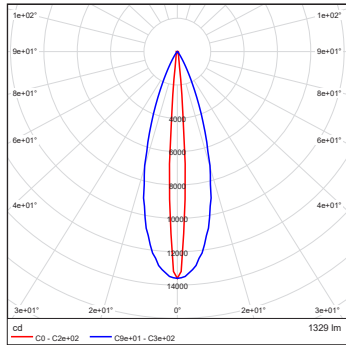


ArcSource Outdoor 16MC Integral RGBCW 90dg



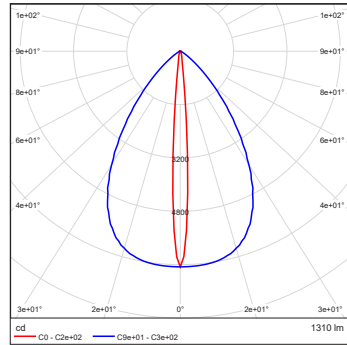
PHOTOMETRIC DATA

ArcSource Outdoor 16MC Integral
RGBCW 7dg x 30dg



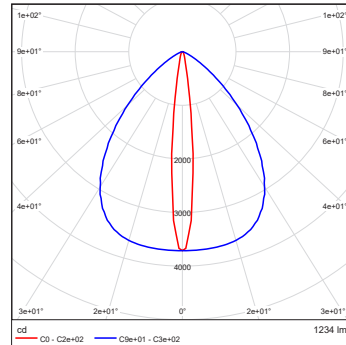
Distance [m]	Cone diameter [m]	Beam angle [deg]	E(0°)	E(C90)	E(C0)	Illuminance [lx]
0.50	0.37	32.8°	54381	16.3°	24220	54381
1.0	0.74	32.8°	13595	16.3°	6057	13595
1.5	1.11	32.8°	6042	16.3°	2692	6042
2.0	1.48	32.8°	3399	16.3°	1514	3399
2.5	1.85	32.8°	2175	16.3°	969	2175
3.0	2.22	32.8°	1511	16.3°	673	1511

ArcSource Outdoor 16MC Integral
RGBCW 7dg x 60dg



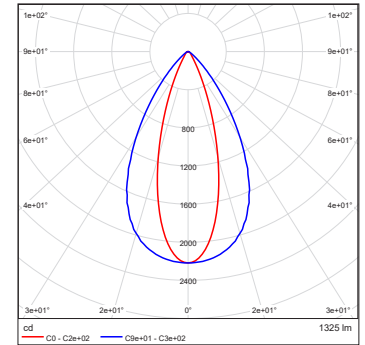
Distance [m]	Cone diameter [m]	Beam angle [deg]	E(0°)	E(C90)	E(C0)	Illuminance [lx]
0.50	0.89	69.4°	25862	34.7°	7200	25862
1.0	1.78	69.4°	6466	34.7°	1800	6466
1.5	2.67	69.4°	2874	34.7°	800	2874
2.0	3.56	69.4°	1616	34.7°	450	1616
2.5	4.45	69.4°	1034	34.7°	288	1034
3.0	5.34	69.4°	718	34.7°	200	718

ArcSource Outdoor 16MC Integral
RGBCW 10dg x 90dg



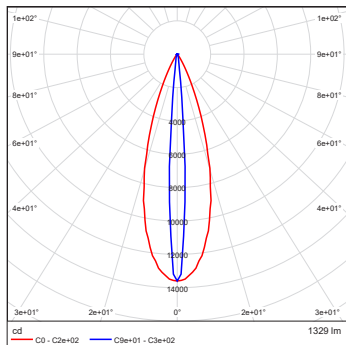
Distance [m]	Cone diameter [m]	Beam angle [deg]	E(0°)	E(C90)	E(C0)	Illuminance [lx]
0.50	0.99	83.8°	14845	41.9°	3078	14845
1.0	1.98	83.8°	3711	41.9°	769	3711
1.5	2.97	83.8°	1649	41.9°	342	1649
2.0	3.96	83.8°	928	41.9°	192	928
2.5	4.95	83.8°	594	41.9°	123	594
3.0	5.94	83.8°	412	41.9°	85	412

ArcSource Outdoor 16MC Integral
RGBCW 35dg x 70dg



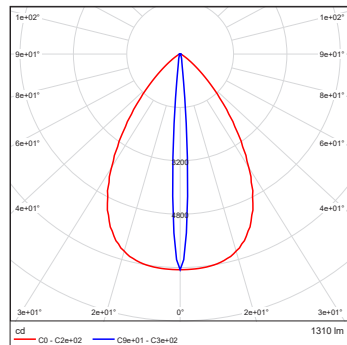
Distance [m]	Cone diameter [m]	Beam angle [deg]	E(0°)	E(C90)	E(C0)	Illuminance [lx]
0.50	0.29	60.8°	8867	30.4°	2855	8867
1.0	0.58	60.8°	2217	30.4°	714	2217
1.5	0.87	60.8°	885	30.4°	317	885
2.0	1.16	60.8°	554	30.4°	178	554
2.5	1.45	60.8°	355	30.4°	114	355
3.0	1.74	60.8°	246	30.4°	79	246

ArcSource Outdoor 16MC Integral
RGBCW 30dg x 7dg



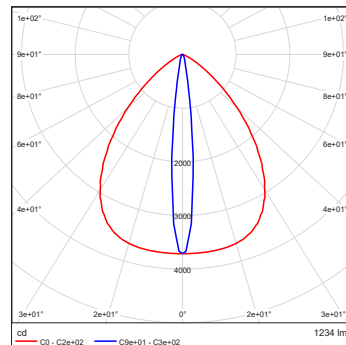
Distance [m]	Cone diameter [m]	Beam angle [deg]	E(0°)	E(C90)	E(C0)	Illuminance [lx]
0.50	0.37	32.8°	54381	16.3°	24220	54381
1.0	0.74	32.8°	13595	16.3°	6057	13595
1.5	1.11	32.8°	6042	16.3°	2692	6042
2.0	1.48	32.8°	3399	16.3°	1514	3399
2.5	1.85	32.8°	2175	16.3°	969	2175
3.0	2.22	32.8°	1511	16.3°	673	1511

ArcSource Outdoor 16MC Integral
RGBCW 60dg x 7dg



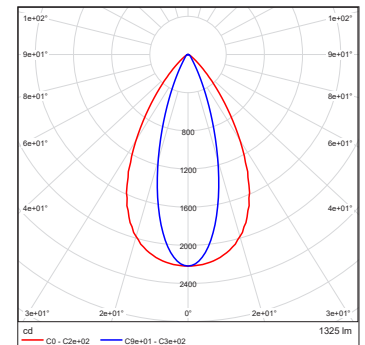
Distance [m]	Cone diameter [m]	Beam angle [deg]	E(0°)	E(C90)	E(C0)	Illuminance [lx]
0.50	0.89	69.4°	25862	34.7°	7200	25862
1.0	1.78	69.4°	6466	34.7°	1800	6466
1.5	2.67	69.4°	2874	34.7°	800	2874
2.0	3.56	69.4°	1616	34.7°	450	1616
2.5	4.45	69.4°	1034	34.7°	288	1034
3.0	5.34	69.4°	718	34.7°	200	718

ArcSource Outdoor 16MC Integral
RGBCW 90dg x 10dg



Distance [m]	Cone diameter [m]	Beam angle [deg]	E(0°)	E(C90)	E(C0)	Illuminance [lx]
0.50	0.99	83.8°	14845	41.9°	3078	14845
1.0	1.98	83.8°	3711	41.9°	769	3711
1.5	2.97	83.8°	1649	41.9°	342	1649
2.0	3.96	83.8°	928	41.9°	192	928
2.5	4.95	83.8°	594	41.9°	123	594
3.0	5.94	83.8°	412	41.9°	85	412

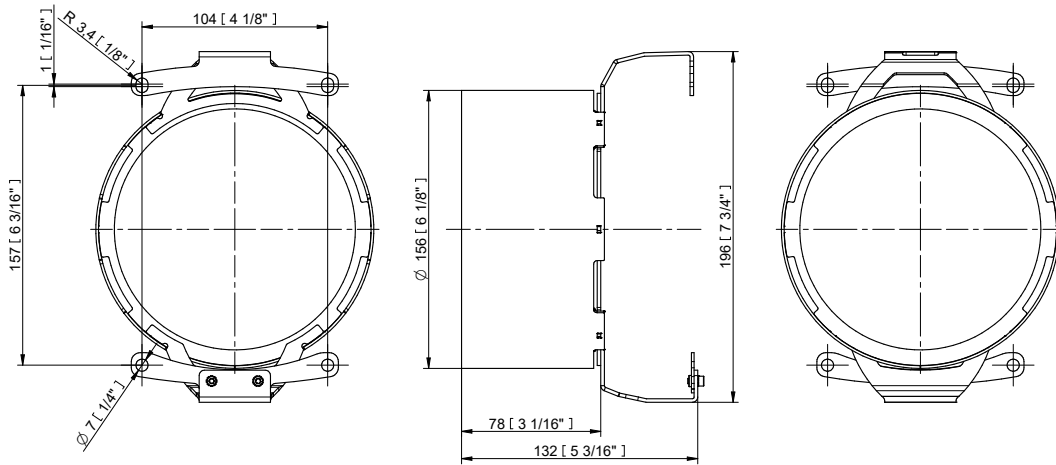
ArcSource Outdoor 16MC Integral
RGBCW 70dg x 35dg



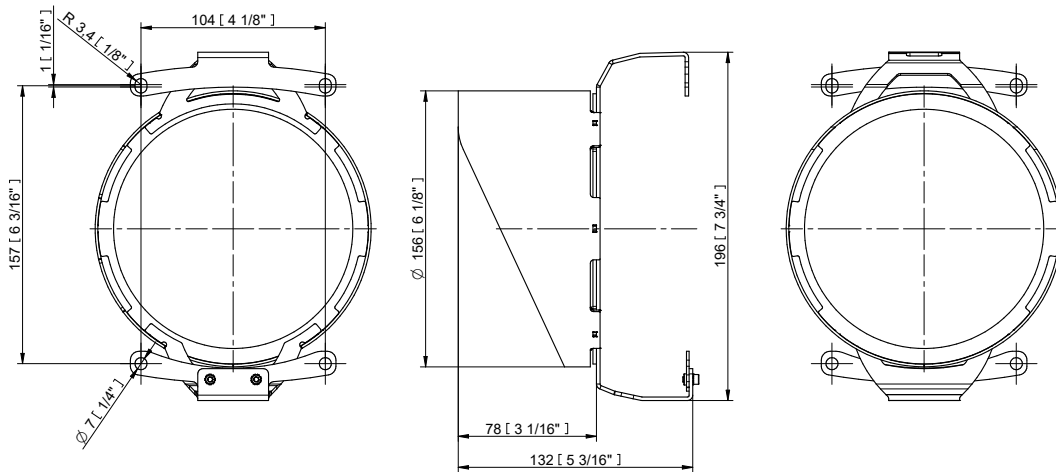
Distance [m]	Cone diameter [m]	Beam angle [deg]	E(0°)	E(C90)	E(C0)	Illuminance [lx]
0.50	0.29	60.8°	8867	30.4°	2855	8867
1.0	0.58	60.8°	2217	30.4°	714	2217
1.5	0.87	60.8°	885	30.4°	317	885
2.0	1.16	60.8°	554	30.4°	178	554
2.5	1.45	60.8°	355	30.4°	114	355
3.0	1.74	60.8°	246	30.4°	79	246

ACCESSORIES FOR ARCSOURCE OUTDOOR 16MC INTEGRAL

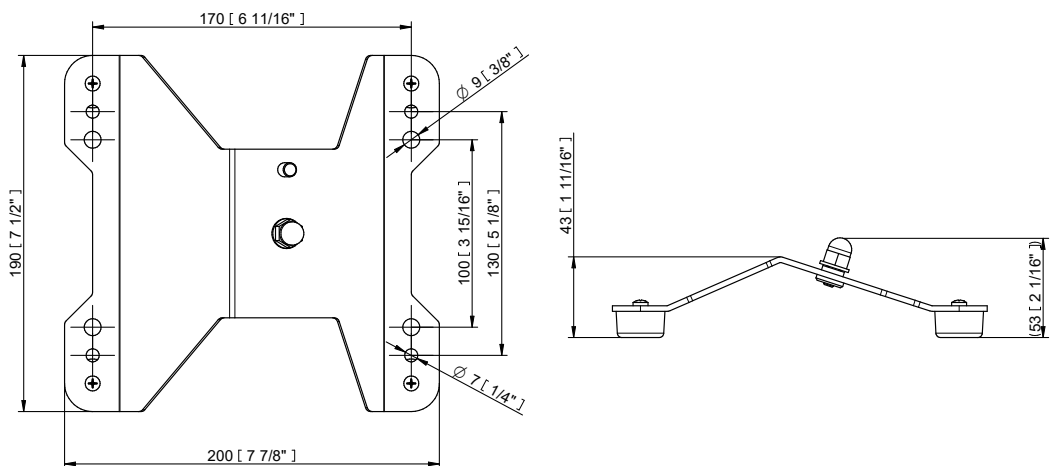
Top Hat



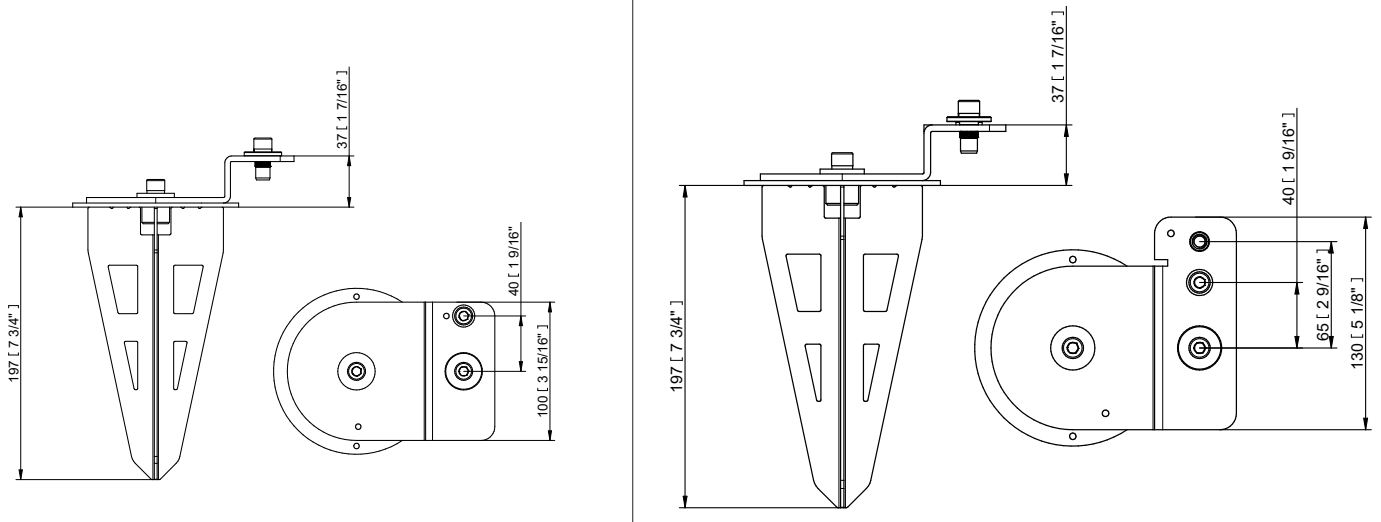
Half Top Hat



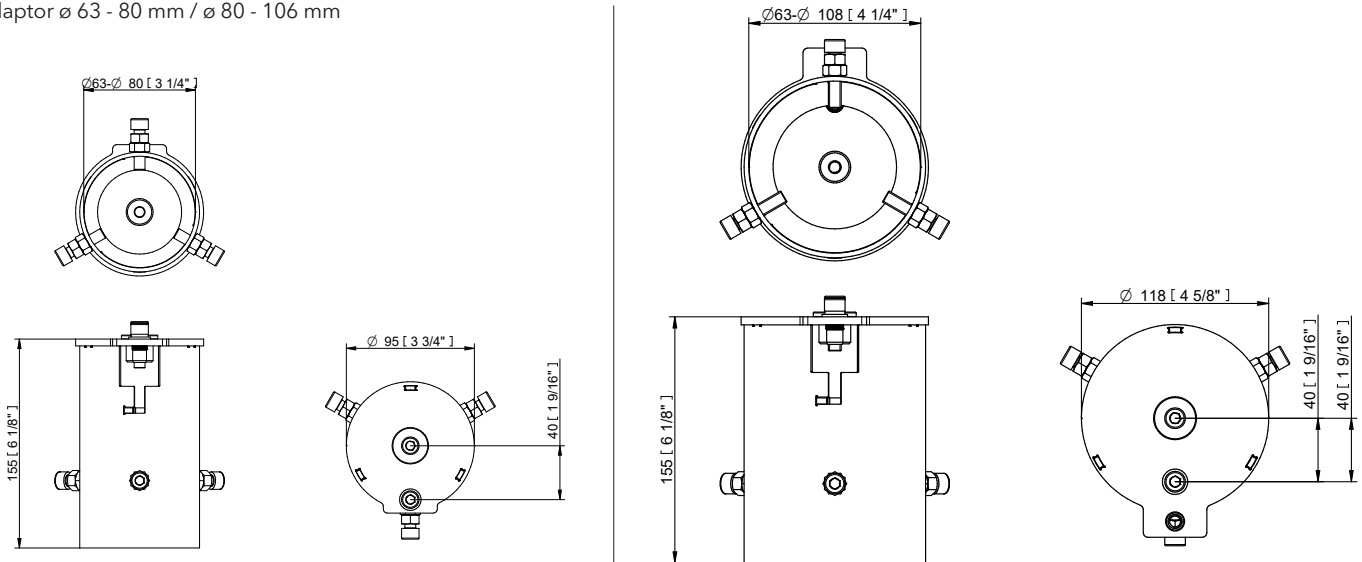
Floor Stand



Land Spike 100 mm / 130 mm



Tenon Adaptor $\varnothing 63 - 80 \text{ mm} / \varnothing 80 - 106 \text{ mm}$



Pole Clamp $\varnothing 63 - 80 \text{ mm} / \varnothing 80 - 105 \text{ mm}$

