

ARCSOURCE™ OUTDOOR 4MC

The ArcSource™ Outdoor 4MC is perfect for precision lighting of intricate building features and landscape scenarios thanks to its low voltage input. Using the latest technology in Multichip LEDs, the fixture is both functional and efficient - whilst the IP67 rating ensures it can handle the harshest of environments. With a wide range of accessories such as top hats and ground spikes this flexible product can be used for various lighting scenarios.



KEY FEATURES

Neat & discrete but powerful, white or colour changing, with a wide range of mounting options.

Lumen Output & Light Source

Lumen output of 305 lm is provided by one high-power multichip LED.

Projected Lumen Maintenance

The projected lumen maintenance is 50,000 hours (L70@ 25 °C).

Power Consumption

10W energy consumption provides excellent efficiency at low operating costs.

Physical

The durable cast aluminum body with a lens covered by tempered glass provides a stylish, compact lighting solution with IP67 certification. The fixture's physical dimensions are 64 x 145 x 90 mm (2.52 x 5.71 x 3.54 in) and it weighs 0.43 kg (0.95 lbs).

CONTROL & PROTOCOLS



STANDARD & SPECIFICATION



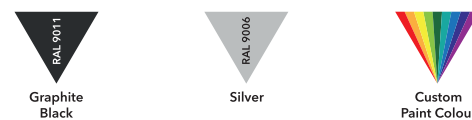
COLOURS



COLOUR TEMPERATURES

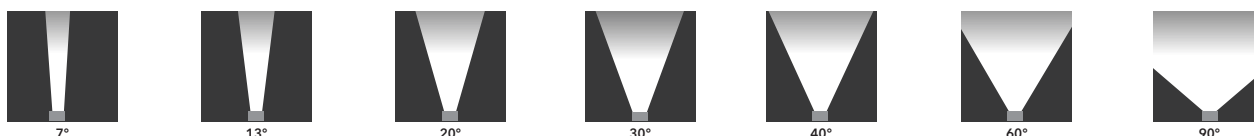


FINISH OPTIONS

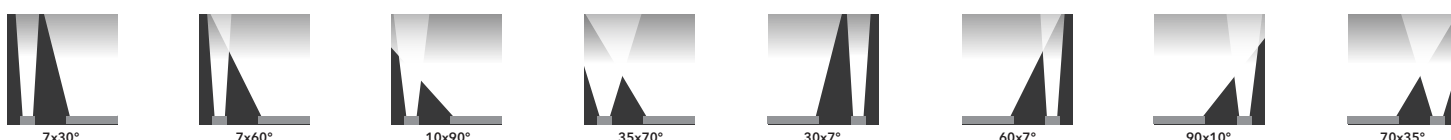


OPTIC OPTIONS

SYMMETRICAL



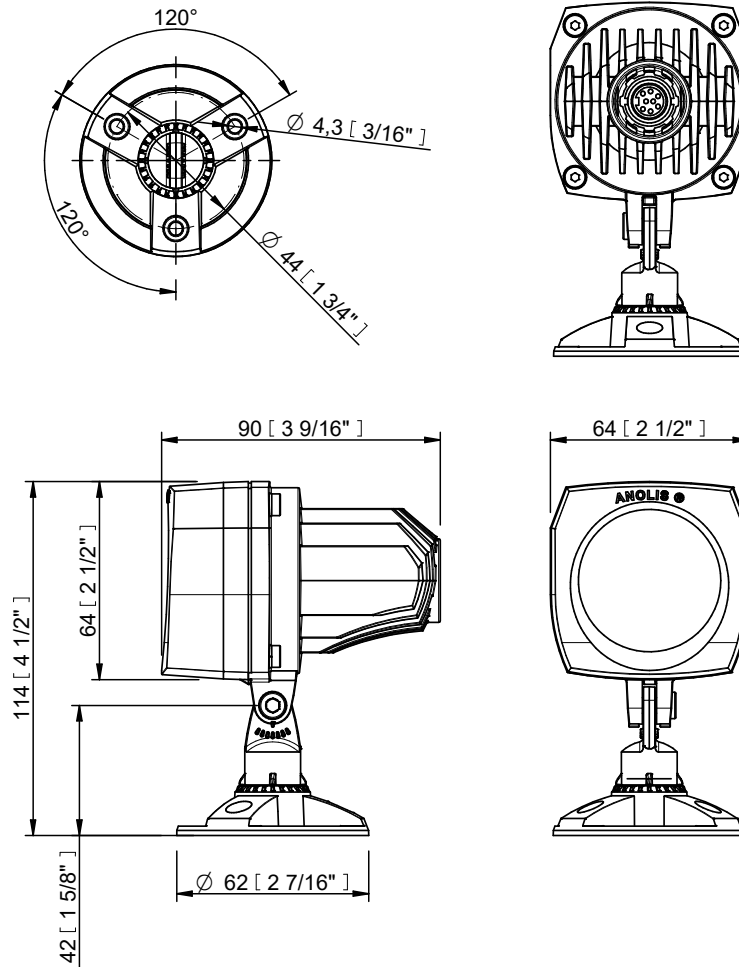
BI-SYMMETRICAL



ARCSource OUTDOOR 4MC SPECIFICATION

| | | |
|----------------------|-------------------------------|--|
| ELECTRICAL | Typical Power Consumption | 6 W (@ 350 mA), 10 W (@ 700 mA) |
| | Max. Input Current | 350 mA or 700 mA Per Channel |
| OPTICAL | Light Source | 1 x High Power Multichip LED |
| | Colour Variants | RGBW (W - 6500 K) RGBA PW (W - 3000 K) |
| | Beam Angle | Symmetrical: 7° 13° 20° 30° 40° 60° 90° Bi-symmetrical: 7° x 30° 30° x 7° 7° x 60° 60° x 7° 35° x 70° 70° x 35° 10° x 90° 90° x 10° |
| | Lumen Output Delivered | 305 lm (RGBW 7° W - 6500 K, all LEDs on full, 700 mA) |
| | Projected Lumen Maintenance | 50.000 hrs (L70 @ 25 °C / 77 °F) |
| CONTROL | Display | No Display |
| | Power Supply | ArcPower range |
| PHYSICAL | Width x Height x Depth | 64 x 114 (145) x 90 mm (2.52 x 4.49 (5.71) x 3.54 in.) |
| | Weight | 0.43 kg 0.95 lbs |
| | Housing | High Pressure Die-Cast Aluminium Body Tempered Glass |
| | Finish Options | Standard Colour - Graphite Black (RAL 9011) Silver (RAL 9006) Cost Option - Custom RAL |
| | Cables / Connections | LiYY 8 x AWG22 - 0.5 m Long (1.64 ft) - IP67 Connector |
| | Mounting Method | Mounting Plate, Land Spike (optional) |
| | Adjustability | +/- 60°, with Adaptor Stand +80°/ -90° |
| | Protection Factor | IP67 / Suitable For Wet Locations |
| | Cooling System | Convection |
| | Operating Ambient Temperature | -20 °C / +45 °C (-4 °F / +113 °F) |
| | Operating Temperature | +75 °C @ Ambient +45 °C (+167 °F @ Ambient +113 °F) |
| | Total Heat Dissipation | 140 BTU/h (calculated) |
| CERTIFICATION | Listings | ETL / cETL, CE, RoHS |
| ACCESSORIES | Mounting | Adapter Stand 100 mm for ASO 4 MC |
| | | Land Spike Single 100mm 500mm |
| | | Land Spike Twin 100mm 500mm |
| | | Land Spike Triple 500mm |
| | | Pipe Clamp for ArcSource Outdoor 4MC, 1/2" |
| | | Floor Stand for Land Spike, for ASO 4 MC |
| | Covers | Top Hat ArcSource Outdoor 4 MC |
| | | Half Top Hat ArcSource Outdoor 4 MC |
| | | Twin Wall Cover for ASO 4 MC, flat |
| | Cables | Extension cable CGR8-F/RJ45 (indoor) |
| | | Extension cable CGR8 F/M (outdoor) |
| | Connectors | Connector Chogori 8-pin (Male, Female) |
| | | T - Connector Chogori 8-pin |
| | | Connector Waterproof Cap (Male, Female) |
| | Optical | Optical Demo Set for ArcSource Outdoor 4 MC |

DIMENSIONS



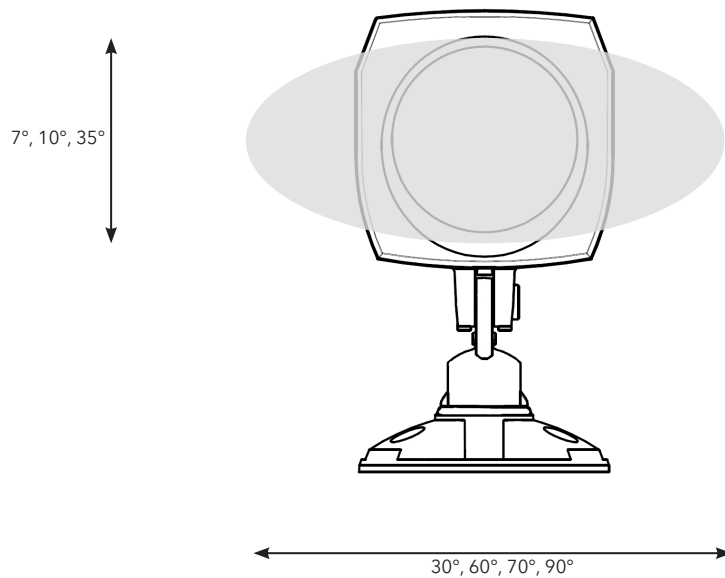
PHOTOMETRIC OVERVIEW

Lumen Output (lm)

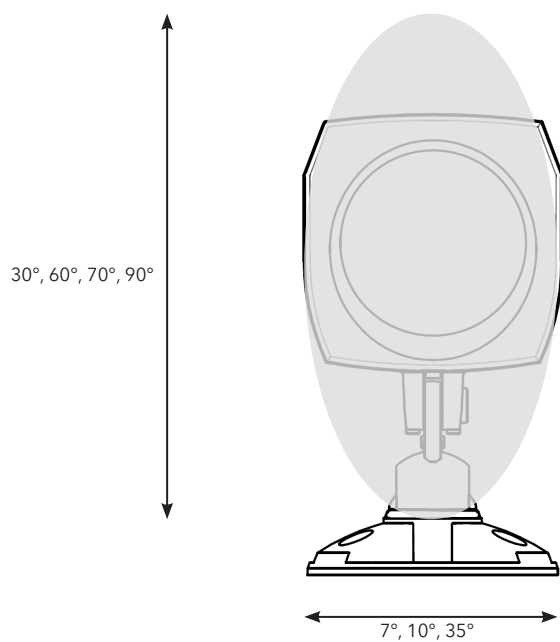
| | RGBCW (W 6500 K) | RGBA | WW (W 3000 K) |
|----------------------|------------------|------|---------------|
| 7° | 305 | 269 | 305 |
| 13° | 305 | 269 | 305 |
| 20° | 301 | 266 | 301 |
| 30° | 300 | 265 | 300 |
| 40° | 299 | 264 | 299 |
| 60° | 298 | 263 | 298 |
| 90° | 291 | 257 | 291 |
| 7° x 30°, 30° x 7° | 293 | 259 | 293 |
| 7° x 60°, 60° x 7° | 289 | 255 | 289 |
| 35° x 70°, 70° x 35° | 292 | 258 | 292 |
| 10° x 90°, 90° x 10° | 272 | 240 | 272 |

BI-SYMMETRICAL BEAM ANGLES

Bi-symmetrical: 7°x30°, 7°x60°, 35°x70°, 10°x90°

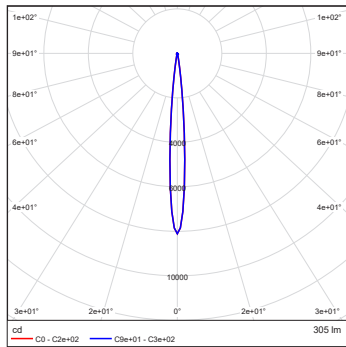


Bi-symmetrical: 30°x7°, 60°x7°, 70°x35°, 90°x10°

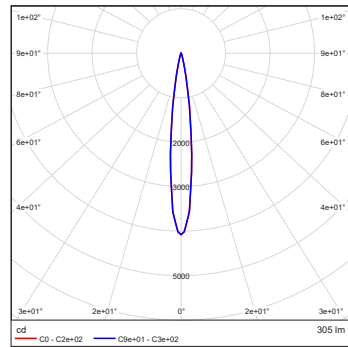


PHOTOMETRIC DATA

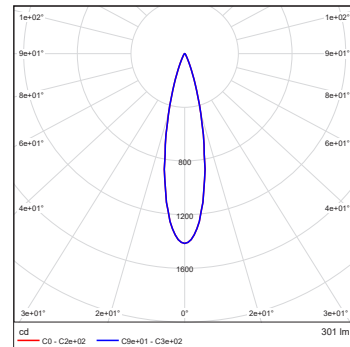
ArcSource Outdoor 4MC RGBCW 7dg



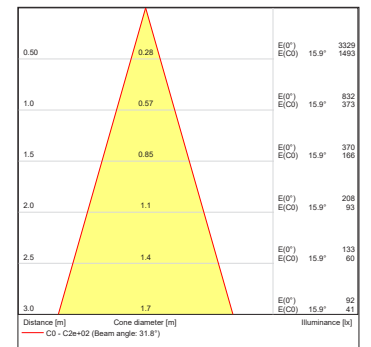
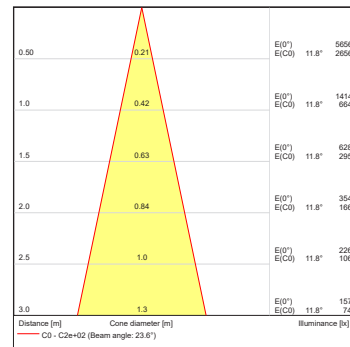
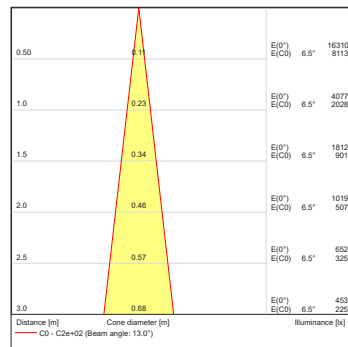
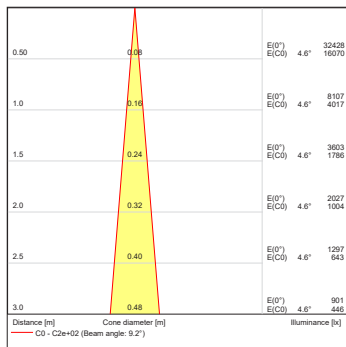
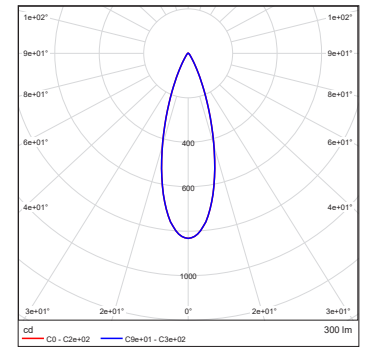
ArcSource Outdoor 4MC RGBCW 13dg



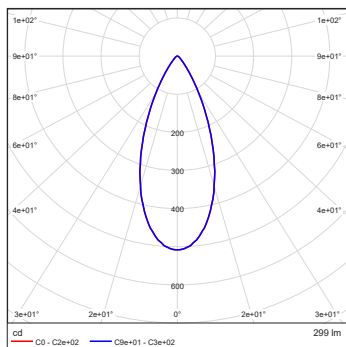
ArcSource Outdoor 4MC RGBCW 20dg



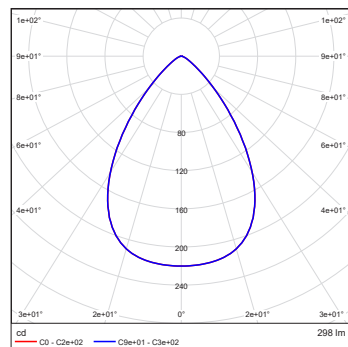
ArcSource Outdoor 4MC RGBCW 30dg



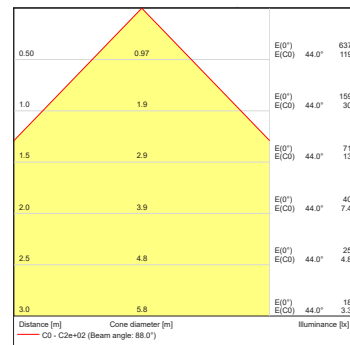
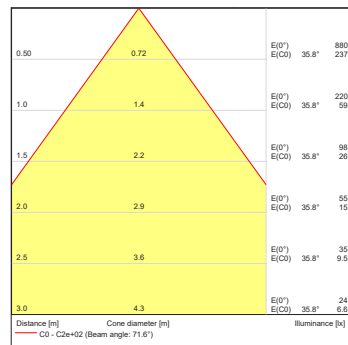
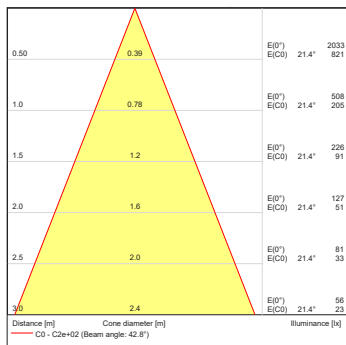
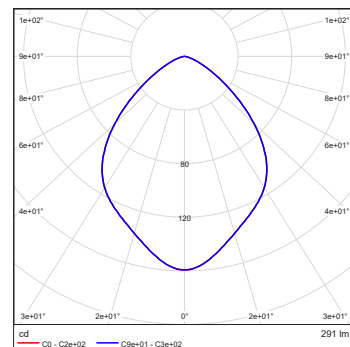
ArcSource Outdoor 4MC RGBCW 40dg



ArcSource Outdoor 4MC RGBCW 60dg

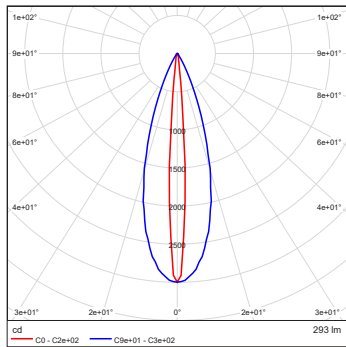


ArcSource Outdoor 4MC RGBCW 90dg



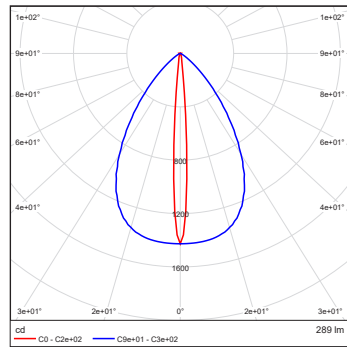
PHOTOMETRIC DATA

ArcSource Outdoor 4MC RGBCW
7dg x 30dg



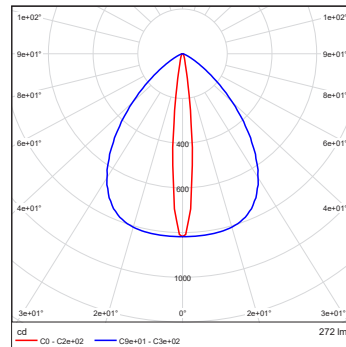
| Distance [m] | Cone diameter [m] | Beam angle [°] | E(0°) | E(C90) | E(C0) | Illuminance [lx] |
|--------------|-------------------|----------------|-------|--------|-------|------------------|
| 0.50 | 0.33 | 32.8° | 11989 | 16.3° | 3.9° | 8094 |
| 1.0 | 0.66 | 32.8° | 2997 | 16.3° | 3.9° | 1523 |
| 1.5 | 0.99 | 32.8° | 1332 | 16.3° | 3.9° | 677 |
| 2.0 | 1.32 | 32.8° | 749 | 16.3° | 3.9° | 381 |
| 2.5 | 1.65 | 32.8° | 490 | 16.3° | 3.9° | 244 |
| 3.0 | 1.98 | 32.8° | 333 | 16.3° | 3.9° | 168 |

ArcSource Outdoor 4MC RGBCW
7dg x 60dg



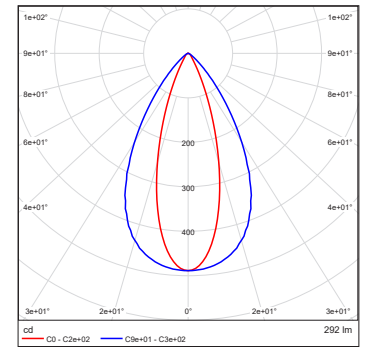
| Distance [m] | Cone diameter [m] | Beam angle [°] | E(0°) | E(C90) | E(C0) | Illuminance [lx] |
|--------------|-------------------|----------------|-------|--------|-------|------------------|
| 0.50 | 0.99 | 69.4° | 5705 | 34.7° | 3.8° | 2930 |
| 1.0 | 1.98 | 69.4° | 1428 | 34.7° | 3.8° | 733 |
| 1.5 | 2.97 | 69.4° | 634 | 34.7° | 3.8° | 306 |
| 2.0 | 3.96 | 69.4° | 357 | 34.7° | 3.8° | 181 |
| 2.5 | 4.95 | 69.4° | 228 | 34.7° | 3.8° | 117 |
| 3.0 | 5.94 | 69.4° | 158 | 34.7° | 3.8° | 81 |

ArcSource Outdoor 4MC RGBCW
10dg x 90dg



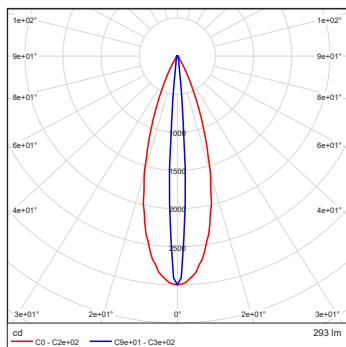
| Distance [m] | Cone diameter [m] | Beam angle [°] | E(0°) | E(C90) | E(C0) | Illuminance [lx] |
|--------------|-------------------|----------------|-------|--------|-------|------------------|
| 0.50 | 0.99 | 12.2° | 3272 | 41.9° | 6.1° | 678 |
| 1.0 | 1.98 | 12.2° | 818 | 41.9° | 6.1° | 169 |
| 1.5 | 2.97 | 12.2° | 364 | 41.9° | 6.1° | 75 |
| 2.0 | 3.96 | 12.2° | 208 | 41.9° | 6.1° | 42 |
| 2.5 | 4.95 | 12.2° | 131 | 41.9° | 6.1° | 27 |
| 3.0 | 5.94 | 12.2° | 91 | 41.9° | 6.1° | 18 |

ArcSource Outdoor 4MC RGBCW
35dg x 70dg



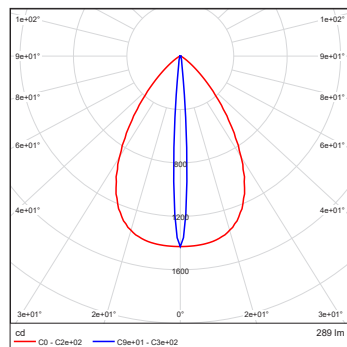
| Distance [m] | Cone diameter [m] | Beam angle [°] | E(0°) | E(C90) | E(C0) | Illuminance [lx] |
|--------------|-------------------|----------------|-------|--------|-------|------------------|
| 0.50 | 0.99 | 32.2° | 1954 | 30.4° | 16.1° | 673 |
| 1.0 | 1.98 | 32.2° | 489 | 30.4° | 16.1° | 171 |
| 1.5 | 2.97 | 32.2° | 217 | 30.4° | 16.1° | 97 |
| 2.0 | 3.96 | 32.2° | 122 | 30.4° | 16.1° | 55 |
| 2.5 | 4.95 | 32.2° | 78 | 30.4° | 16.1° | 35 |
| 3.0 | 5.94 | 32.2° | 54 | 30.4° | 16.1° | 24 |

ArcSource Outdoor 4MC RGBCW
30dg x 7dg



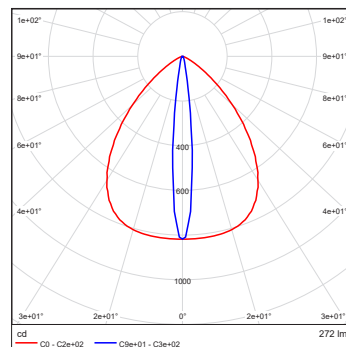
| Distance [m] | Cone diameter [m] | Beam angle [°] | E(0°) | E(C90) | E(C0) | Illuminance [lx] |
|--------------|-------------------|----------------|-------|--------|-------|------------------|
| 0.50 | 0.33 | 32.8° | 11989 | 16.3° | 3.9° | 8094 |
| 1.0 | 0.66 | 32.8° | 2997 | 16.3° | 3.9° | 1523 |
| 1.5 | 0.99 | 32.8° | 1332 | 16.3° | 3.9° | 677 |
| 2.0 | 1.32 | 32.8° | 749 | 16.3° | 3.9° | 381 |
| 2.5 | 1.65 | 32.8° | 490 | 16.3° | 3.9° | 244 |
| 3.0 | 1.98 | 32.8° | 333 | 16.3° | 3.9° | 168 |

ArcSource Outdoor 4MC RGBCW
60dg x 7dg



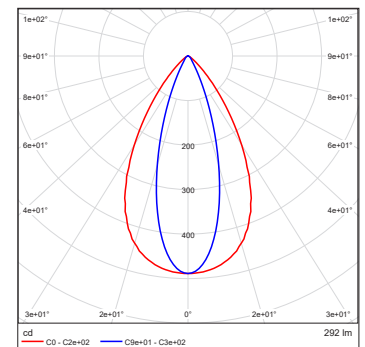
| Distance [m] | Cone diameter [m] | Beam angle [°] | E(0°) | E(C90) | E(C0) | Illuminance [lx] |
|--------------|-------------------|----------------|-------|--------|-------|------------------|
| 0.50 | 0.99 | 69.4° | 5705 | 34.7° | 3.8° | 2930 |
| 1.0 | 1.98 | 69.4° | 1428 | 34.7° | 3.8° | 733 |
| 1.5 | 2.97 | 69.4° | 634 | 34.7° | 3.8° | 306 |
| 2.0 | 3.96 | 69.4° | 357 | 34.7° | 3.8° | 181 |
| 2.5 | 4.95 | 69.4° | 228 | 34.7° | 3.8° | 117 |
| 3.0 | 5.94 | 69.4° | 158 | 34.7° | 3.8° | 81 |

ArcSource Outdoor 4MC RGBCW
90dg x 10dg



| Distance [m] | Cone diameter [m] | Beam angle [°] | E(0°) | E(C90) | E(C0) | Illuminance [lx] |
|--------------|-------------------|----------------|-------|--------|-------|------------------|
| 0.50 | 0.99 | 12.2° | 3272 | 41.9° | 6.1° | 678 |
| 1.0 | 1.98 | 12.2° | 818 | 41.9° | 6.1° | 169 |
| 1.5 | 2.97 | 12.2° | 364 | 41.9° | 6.1° | 75 |
| 2.0 | 3.96 | 12.2° | 208 | 41.9° | 6.1° | 42 |
| 2.5 | 4.95 | 12.2° | 131 | 41.9° | 6.1° | 27 |
| 3.0 | 5.94 | 12.2° | 91 | 41.9° | 6.1° | 18 |

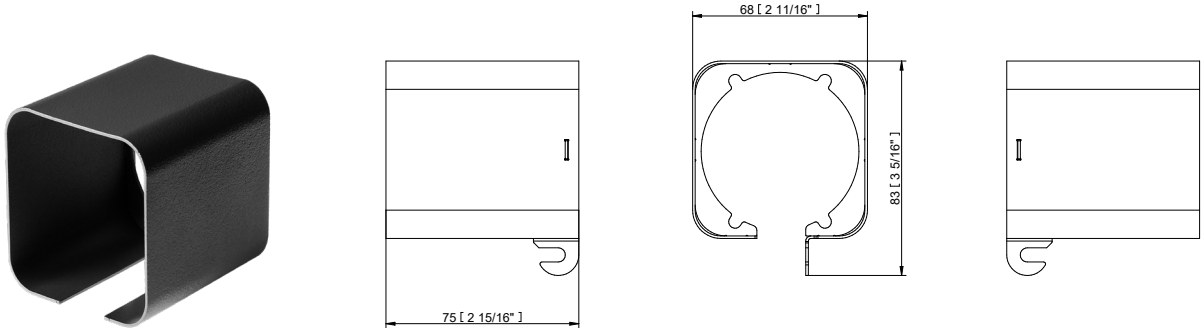
ArcSource Outdoor 4MC RGBCW
70dg x 35dg



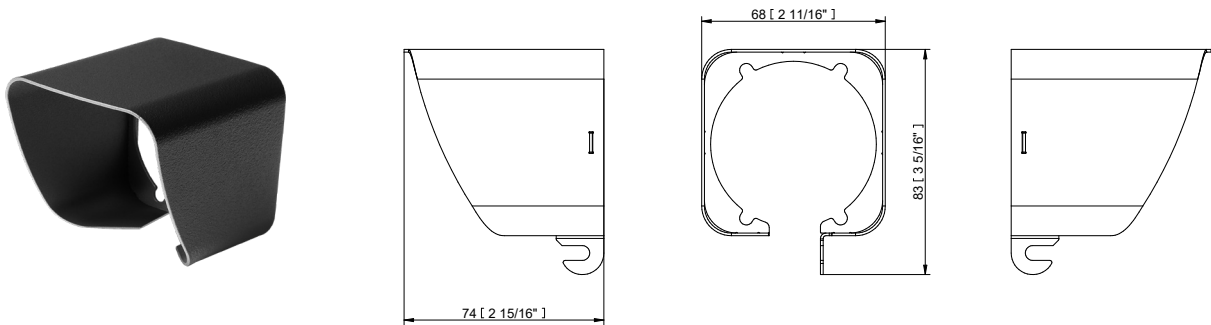
| Distance [m] | Cone diameter [m] | Beam angle [°] | E(0°) | E(C90) | E(C0) | Illuminance [lx] |
|--------------|-------------------|----------------|-------|--------|-------|------------------|
| 0.50 | 0.99 | 32.2° | 1954 | 30.4° | 16.1° | 673 |
| 1.0 | 1.98 | 32.2° | 489 | 30.4° | 16.1° | 171 |
| 1.5 | 2.97 | 32.2° | 217 | 30.4° | 16.1° | 97 |
| 2.0 | 3.96 | 32.2° | 122 | 30.4° | 16.1° | 55 |
| 2.5 | 4.95 | 32.2° | 78 | 30.4° | 16.1° | 35 |
| 3.0 | 5.94 | 32.2° | 54 | 30.4° | 16.1° | 24 |

ACCESSORIES FOR ARCSOURCE OUTDOOR 4MC

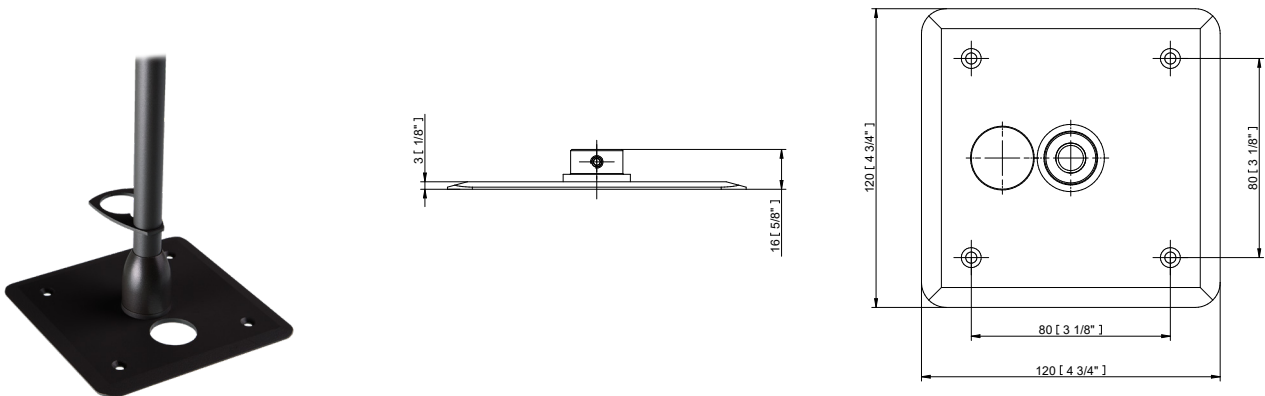
Top Hat



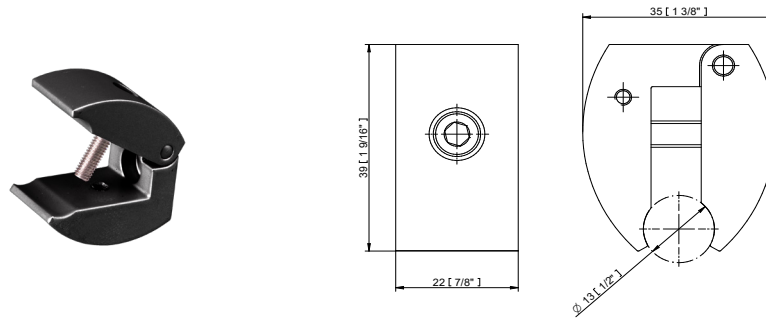
Half Top Hat



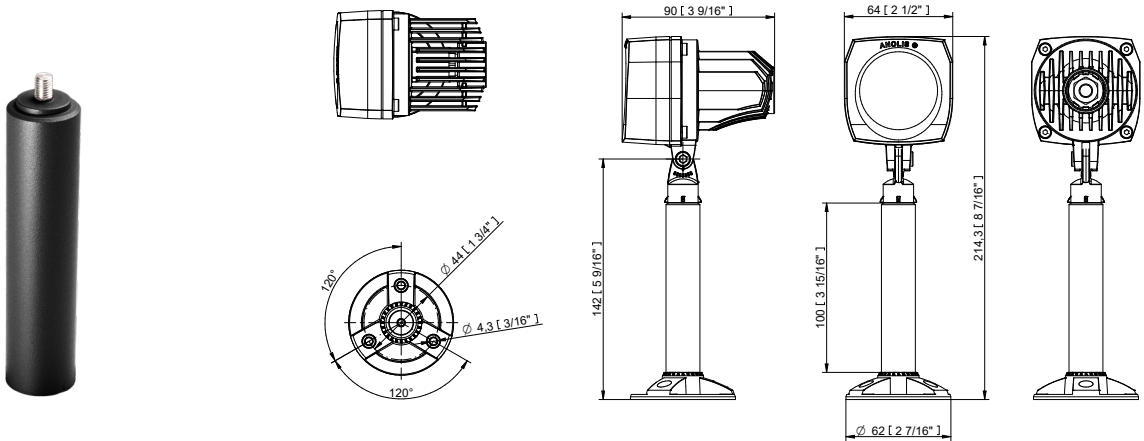
Floor Stand



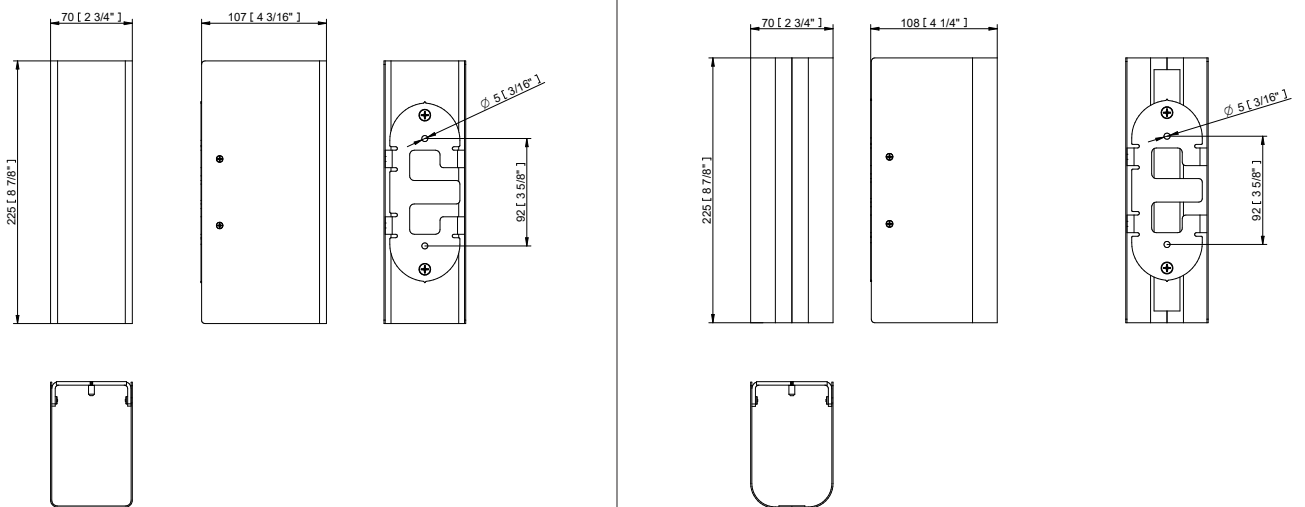
Pipe Clamp



Adaptor Stand 100mm



Twin Wall Cover (Flat / Round)



Extension Cable CGR8-F/RJ45 (indoor)



Extension Cable CGR8-F/M (outdoor)



Connector Chogori 8-pin (Male / Female)



T-connector Chogori 8-pin



Connector Waterproof Cap (Male / Female)



Land Spike Single / Twin / Triple

