

DIVINE™ 60 UV

Excellent for theme parks, attractions, leisure facilities and entertainment venues that require a true UV „black light“ effect, both indoors and outdoors, this 180 Watt full LED luminaire produces high UV output levels at a 365nm wavelength. Built-in DMX and RDM control enables precise lighting levels and the wireless control option allows retrofitting into existing installations without additional infrastructure. All the components are rated UV-stable and housed inside an IP67 rated casing, tough enough for the most challenging applications.



KEY FEATURES

Almost undetectable luminescence at normal lighting frequencies. Powerful output for indoor & outdoor effects.

Light Source

Light output is provided by 60 UV LEDs with 16,000 hrs (L70@25 °C / 77 °F) projected lumen maintenance.

Power Consumption

Typical power consumption of the luminaire is 180 W +/-10 %

Physical

Divine 60UV fulfills an IP67 rating and is suitable for wet locations.

Control

Any third-party DMX controller can be used to control Divine 60UV.

CONTROL & PROTOCOLS



STANDARD & SPECIFICATION

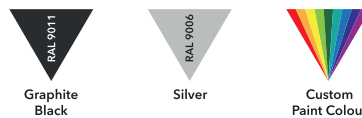


COLOURS



UV

FINISH OPTIONS



Graphite Black

Silver

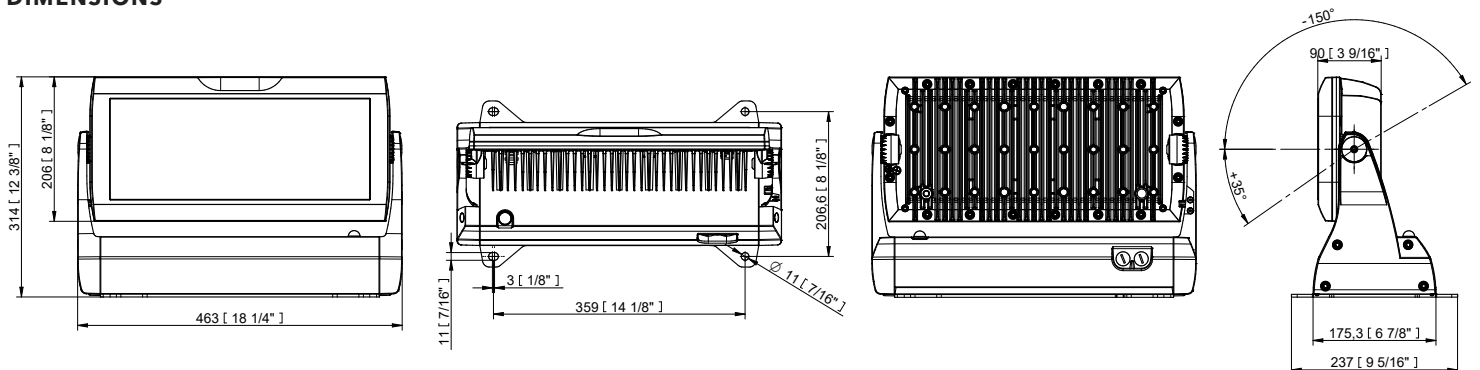
Custom Paint Colour

OPTIC OPTIONS



38°

DIMENSIONS



DIVINE 60 UV SPECIFICATION

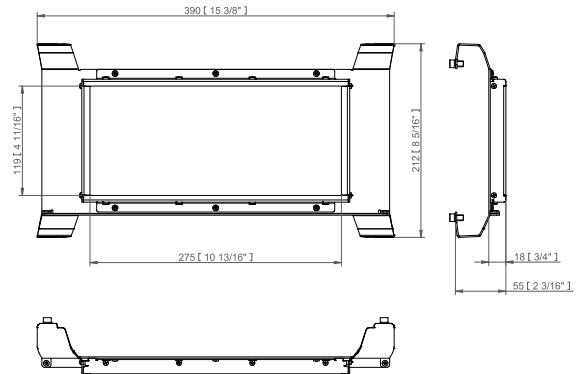
ELECTRICAL	Input Voltage	100 - 277 V AC 50/60 Hz
	Typical Power Consumption	180 W +/- 10 %
	Inrush Current	30 A @ 230 V, 20 A @ 115V
OPTICAL	Light Source	60 x UV LEDs
	Wave Length	365 nm (peak)
	Beam Angle	38°
	Projected Lumen Maintenance	16.000 hrs (L70 @ 77 °F / 25 °C)
CONTROL	Display	LED Display (Inside Integrated Junction Box) Chassis Mounted LED Display (Optional)
	Wireless DMX (Option)	Lumen Radio CRMX Technology
	Interface Protocol	USITT DMX512, RDM, 0-10 V
	Control System	Third Party DMX Controllers
	Operating Modes	DMX, Stand-alone
	DMX Modes	3
	DMX Channels	2, 3, 9
	Programs / Functions / Features	Editable Program: 1 (up to 40 steps)
	Settings / Addressing	Via LED Display with Control Buttons or RDM
	Power Supply	Integrated
PHYSICAL	Width x Height x Depth	463 x 314 x 175 / 237 mm (18.2 x 12.4 x 6.9 / 9.3 in.)
	Weight	14.5 kg / 32 lbs
	Housing	High Pressure Die-Cast Aluminium Body Tempered Glass
	Finish Options	Standard Colour - Graphite Black (RAL 9011), Silver (RAL 9006) Cost Option - Custom RAL
	Cables / Connections	Integrated Junction Box With Terminal Block Recommended: Li9Y11Y 3 x AWG16 + 1(2xAWG24)
	Mounting Method	Surface Mount, Flush (J-Box), C-Clamp (For Side Connection Only)
	Adjustability	+35° / -150°
	Protection Factor	IP67 / Suitable For Wet Locations
	IK Rating	IK10
	Cooling System	Convection
	Operating Ambient Temperature	-20 °C / +40 °C (-4 °F / +104 °F)
	Operating Temperature	+70°C @ Ambient + 40°C (+158°F @ Ambient + 104°F)
	Total Heat Dissipation	680 BTU/h (calculated)
CERTIFICATION	Listings	ETL / cETL, CE, RoHS
ACCESSORIES		Surface Mount Adaptor (Included)
		Top Hat Divine 60 UV
		Half Top Hat Divine 60 UV
		Wire Guard/Anti-Glare Divine 60 UV
		Adaptor w/ Black Glass for Divine 60 UV
		Set of Rubber Feet
		C-Clamp Adaptor Divine (for side conn. only)
		Single Top Loader Case Divine

PROJECTED AREA

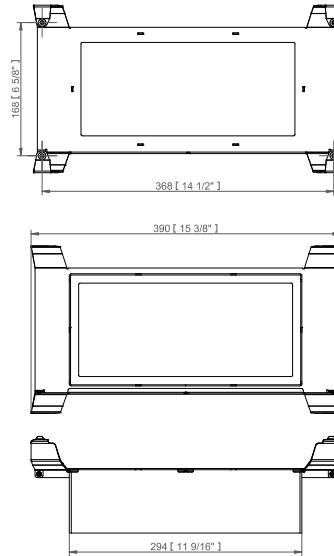
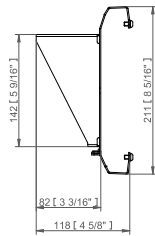
	m ²	ft ²
Front (rear)	0,13	1,40
Side	0,03	0,32
Top	0,08	0,86

ACCESSORIES FOR DIVINE 60 UV

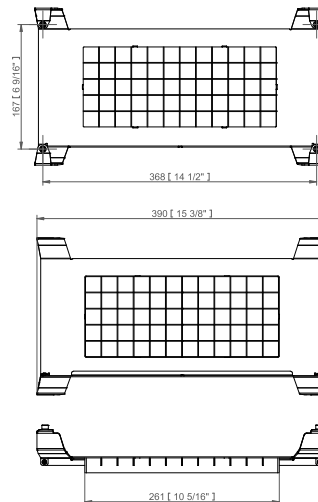
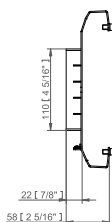
Adaptor w/ Black Glass for Divine 60UV



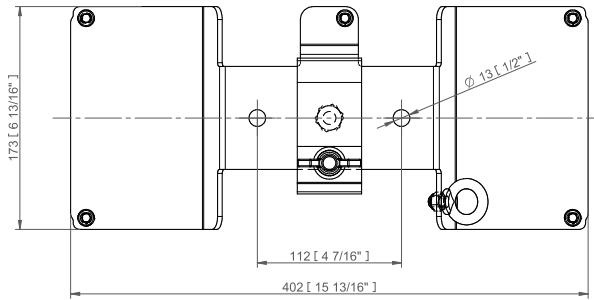
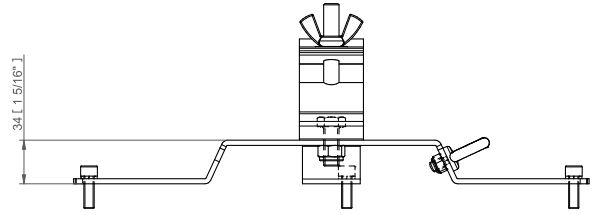
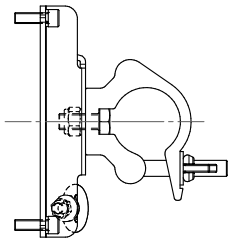
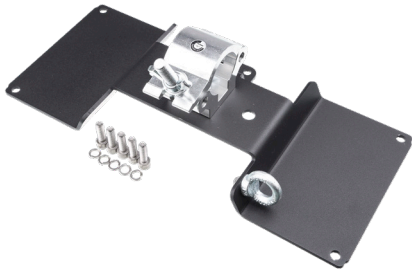
Half Top Hat Divine 60 UV



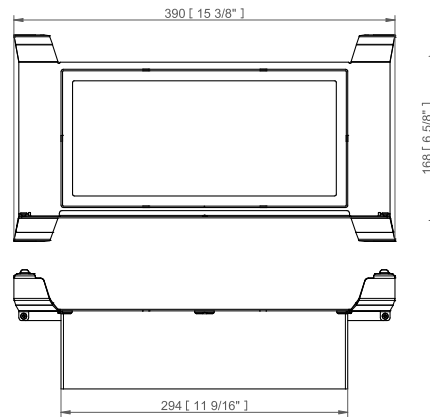
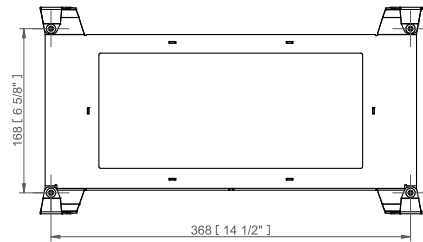
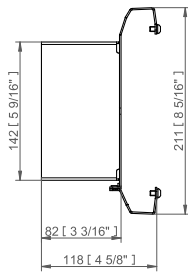
Wire Guard / Anti-Glare Divine 60 UV



C-Clamp Adaptor Divine (for side conn. only)



Top Hat Divine 60 UV



Set of Rubber Feet

