

EMINERE™ REMOTE 1 / 2 / 3 / 4

The newest member of the Eminere™ product range, Eminere™ Remote extends our family of linear architectural fixtures into further application possibilities using only low voltage for higher safety restrictions. Available in four sizes, ranging from 1 to 4 feet, Eminere™ Remote follows the identical optical and performance features of our other established and proven Eminere™ fixtures. Design-wise, Eminere™ Remote brings all of today's technology into an elegant and slim body, but is still very robust with an IP67 rating to withstand the harshest environments.



KEY FEATURES

Optic & Control

With a wide range of optics for limitless fixture applications, Eminere Remote can also be operated in pixel or fixture modes, and its low-input voltages allow the luminaire to be used in applications with higher safety restrictions.

Compact design

At only 39 mm of total height, Eminere Remote is the thinnest lighting solution in our Eminere family and has been designed as a compact and slim LED luminaire suitable for any low-profile application.

Durability

Thanks to its tempered glass and high-pressure, extruded aluminum housing, Eminere Remote is IK06 and IP67 certified. For more extreme and marine applications, a harsh environment finish option is also available.

CONTROL & PROTOCOLS



OPTIONAL

STANDARD & SPECIFICATION



Vibration Standard for Bridge



5 Year Warranty

COLOURS



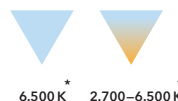
RGBW RGBA Pure White Tuneable White

COLOUR TEMPERATURE



2.200 K* 2.500 K* 2.700 K* 3.000 K 3.500 K* 4.000 K* 5.000 K*

* UPON REQUEST



6.500 K* 2.700-6.500 K*

FINISH OPTIONS



Graphite Black Silver Custom Paint Colour Harsh Environment

OPTIC OPTIONS

SYMMETRICAL



9° 15° 30° 50° 65° 100°

ASYMMETRICAL



WIDE WALLWASHER WALLWASHER

BI-SYMMETRICAL

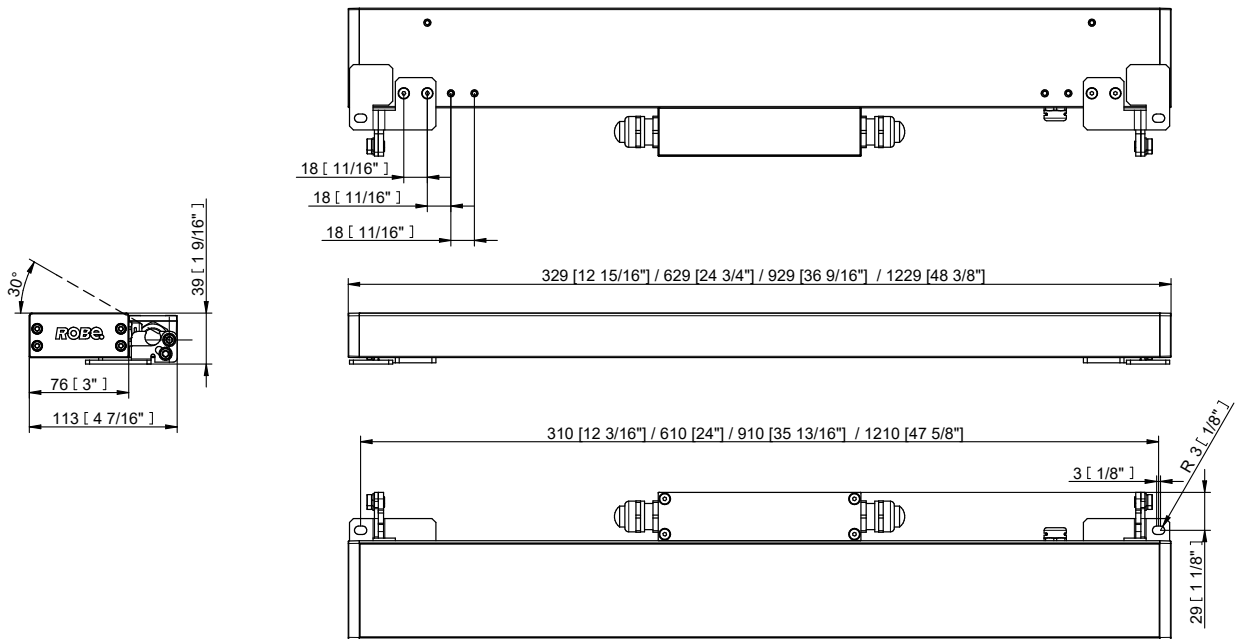


10x30° 10x60° 15x90° 35x70° 30x10° 60x10° 90x15° 70x35°

EMINERE REMOTE SPECIFICATION

ELECTRICAL	Input Voltage	48 V			
	Typical Power Consumption	Eminere Remote 1	20 W		
		Eminere Remote 2	40 W		
		Eminere Remote 3	60 W		
Eminere Remote 4		80 W			
OPTICAL	Light Source	12, 24, 36, 48 x High Power Single Chip LEDs			
	Colour Variants	RGBW (W - 6.500 K)	RGBA	PW (W - 3.000 K)	
		Variants On Request (TW (2700 - 6500 K) 2.200 K 2.500 K 2.700 K 3.500 K 4.000 K 5.000 K 6.500 K)			
	Beam Angle	Symmetrical:	9° 15° 30° 50° 65° 100°		
		Bi-symmetrical:	10° x 30° 30° x 10° 10° x 60° 60° x 10° 35° x 70° 70° x 35° 15° x 90° 90° x 15°		
		Asymmetrical:	Wallwasher Wide Wallwasher		
Lumen Output Delivered	Eminere Remote 1	1.147 lm, RGBW @ 9°			
	Eminere Remote 2	2.294 lm, RGBW @ 9°			
	Eminere Remote 3	3.441 lm, RGBW @ 9°			
	Eminere Remote 4	4.588 lm, RGBW @ 9°			
Projected Lumen Maintenance	60.000 hrs (L70 @ 25 °C / 77 °F)				
CONTROL	Interface Protocol	Via E-Box Remote range			
	E-Box Remote Control Protocols	USITT DMX512, RDM, ArtNet, MA Net, MA Net2, sACN, Kling-Net			
	Operating Modes	Pixel (12 LEDs/300mm) or Fixture mode			
	Setting / Addressing	Via Two Row LCD Display with Control Buttons on E-Box Remote or RDM communicator			
	Power Supply	Via E-Box Remote range			
	Connectivity	E-box Remote	16 pcs of Eminere Remote 1 (50m cable - total length) via 1 Output,		
E-box Remote Basic		20 pcs in total for both Outputs (25m cable - total length)			
PHYSICAL	Width x Height x Length	Eminere Remote 1	113 x 39 x 329 mm (4.45 x 1.54 x 12.95 in.)		
		Eminere Remote 2	113 x 39 x 629 mm (4.45 x 1.54 x 24.76 in.)		
		Eminere Remote 3	113 x 39 x 929 mm (4.45 x 1.54 x 36.57 in.)		
		Eminere Remote 4	113 x 39 x 1229 mm (4.45 x 1.54 x 48.39 in.)		
	Weight	2 kg 4.41 lbs	3.1 kg 6.83 lbs	4.1 kg 9.04 lbs	5.1 kg 11.24 lbs
	Housing	High Pressure Extruded Aluminium Body End Caps - Die-Cast Aluminium Tempered Glass			
	Finish Options	Standard Colour	Graphite Black (RAL 9011) Silver (RAL 9006)		
		Cost Option	Custom RAL Harsh Environment (RAL 9016, RAL 9011)		
	Cables / Connections	Integrated Junction Box			
	Mounting Method	Surface Mount With Different Type of Brackets			
	Adjustability	+30°			
	Protection Factor	IP67 / Suitable For Wet Locations			
	IK Rating	IK06			
	Cooling System	Convection			
Operating Ambient Temperature	-20 °C / +40 °C (-4 °F / +104 °F)				
Operating Temperature	+67 °C @ Ambient +40 °C (+153 °F @ Ambient +104 °F)				
CERTIFICATION	Listings	ETL / cETL, CE, RoHS, UKCA			
ACCESSORIES		Cabel for Eminere Remote - bare end (custom length)			
	Mounting Brackets	Mounting Brackets 100 200 300 mm			
		Mounting Brackets - custom length			
	Shields	Shield For Eminere Remote 1 2 3 4			

DIMENSIONS



PHOTOMETRIC OVERVIEW

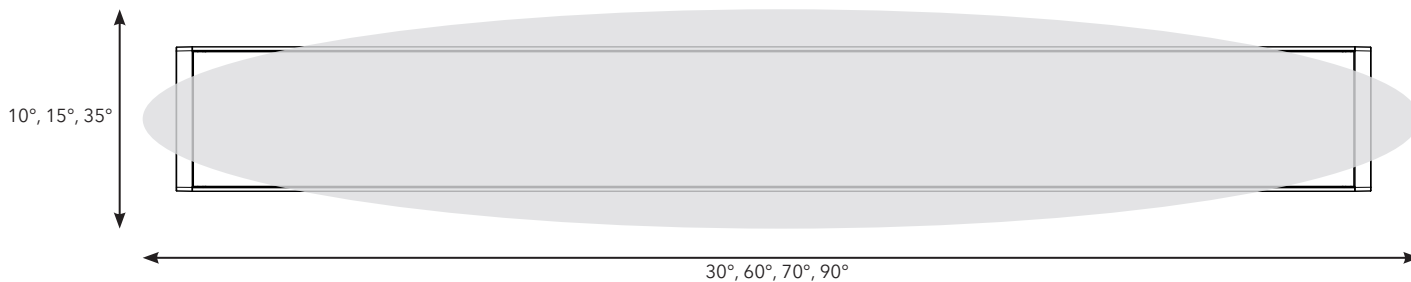
Based on RGBW version, all leds @ full

Lumen Output (lm)

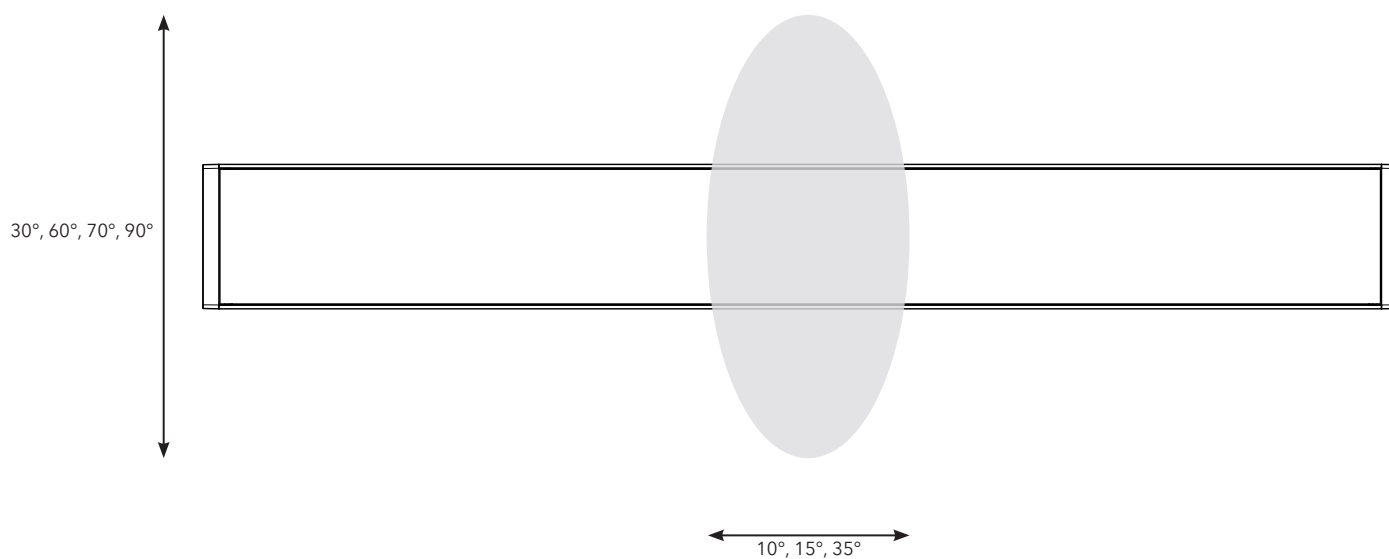
	EMINERE REMOTE 1	EMINERE REMOTE 2	EMINERE REMOTE 3	EMINERE REMOTE 4
9°	1 147	2 294	3 441	4 588
15°	978	1 956	2 910	3 912
30°	1 046	2 092	3 138	4 184
50°	1 039	2 078	3 117	4 156
65°	1 040	2 080	3 120	4 160
100°	996	1 992	2 988	3 984
10° x 30°	1 032	2 064	3 096	4 128
10° x 60°	1 051	1 874	2 811	3 748
15° x 90°	970	1 940	2 934	3 880
35° x 70°	1 040	2 080	3 120	4 160
WallWasher	952	1 904	2 856	3 806
Wide WallWasher	854	1 708	2 562	3 416

EMINERE INGROUND SPECIFICATION

Bi-symmetrical: 10°x30°, 10°x60°, 35°x70°, 15°x90°



Bi-symmetrical: 30°x10°, 60°x10°, 70°x35°, 90°x15°



COLOUR MIXING PRINTS

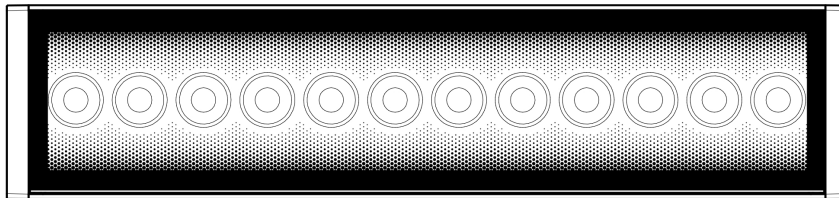
STAND ALONE

Specially designed glass printing to achieve optimal colour mixing and intensity distribution.

HEAD2HEAD

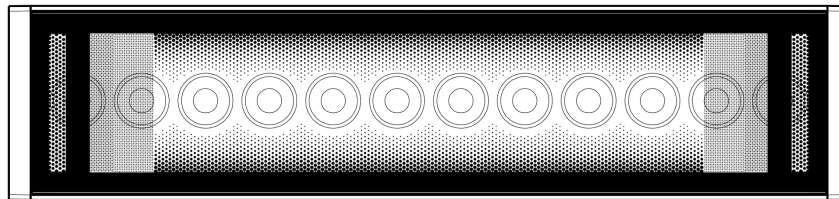
Fixtures without special end glass print installed right next to each other create absolutely perfect colour and intensity overlap.

Note:
Applies for RGBW, RGBA versions.
Pure white and Tunable white versions are always without the end print (no matter on their position to other fixture).

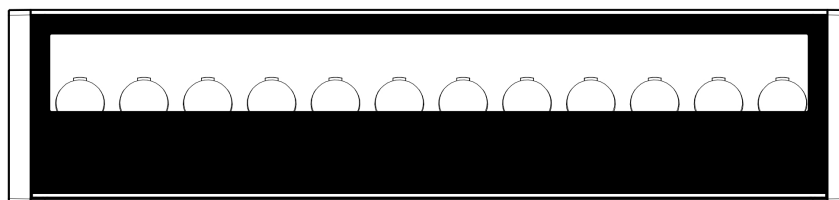


HEAD2HEAD

SYMMETRICAL

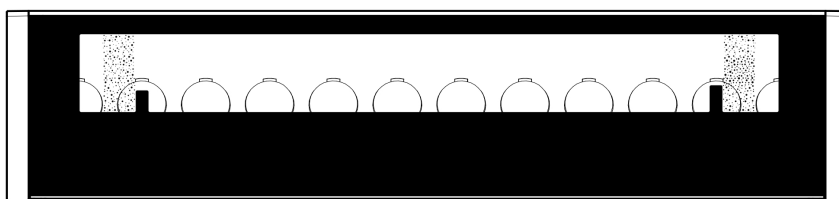


STAND ALONE



HEAD2HEAD

WALLWASHER



STAND ALONE

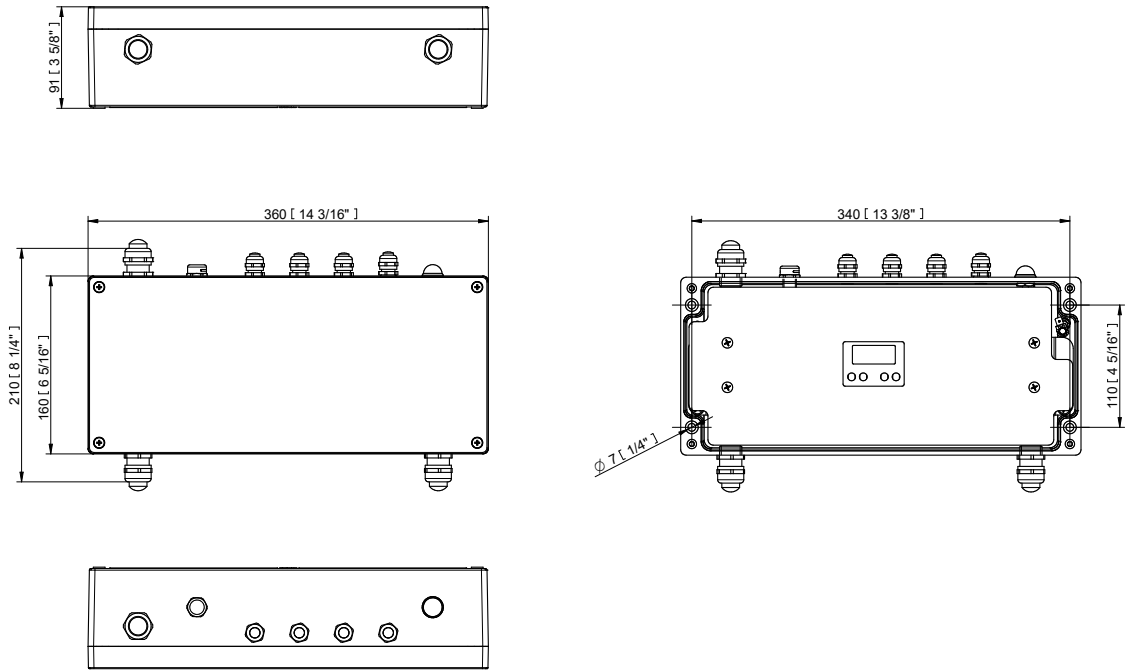
E-BOX REMOTE SPECIFICATION

ELECTRICAL	Input Voltage	120 - 277 V AC 50/60 Hz
	Typical Power Consumption	520 W
CONTROL	Wireless DMX (Option)	Lumen Radio CRMX Technology
	Interface Protocol	USITT DMX512+RDM, ArtNet, MA Net, MA Net2, sACN, Kling-Net
	Operating Modes	Fixture Mode, Pixel Mode, Output Mode
	Display	Via Two Row LCD Display with Control Buttons or RDM communicator
	Control System	E-box With Self Addressing Feature or Custom Setting Via LCD Display/RDM
	Power Supply	Integrated in E-box Remote
	Connectivity	16 pcs of Eminere Remote 1 (50m cable - total length) via 1 Output, 20 pcs in total for both Outputs (25m cable - total length)
	PHYSICAL	Length x Width x Height
Weight		5.5 kg / 12.13 lbs
Number of LED Output zones		2
Max. Load Per Output		16 pcs of Eminere Remote 1 (50m cable) via 1 Output
Cable Length per E-Box		Max. 25 m (@ 20 pcs) Max. 50 m (@ 16 pcs) Max. 75 m (@ 13 pcs) Max. 100 m (@ 10 pcs)
Housing		Die-Cast Aluminium Case
Finish Options		Standard Colour - Graphite Black (RAL 9011) Silver (RAL 9006) Cost Option - Custom RAL Harsh Environment (RAL 9016, RAL 9011)
Cables / Connections		Cable Grommet (stainless steel)
Mounting Method		Surface Mount, 4 Mounting Holes
Protection Factor		IP65 / Suitable For Wet Locations
IK Rating		IK10
Cooling System		Convection
Operating Ambient Temperature		-20 °C / +40 °C (-4 °F / +104 °F)
CERTIFICATION	Listings	ETL / cETL, CE, RoHS, UKCA

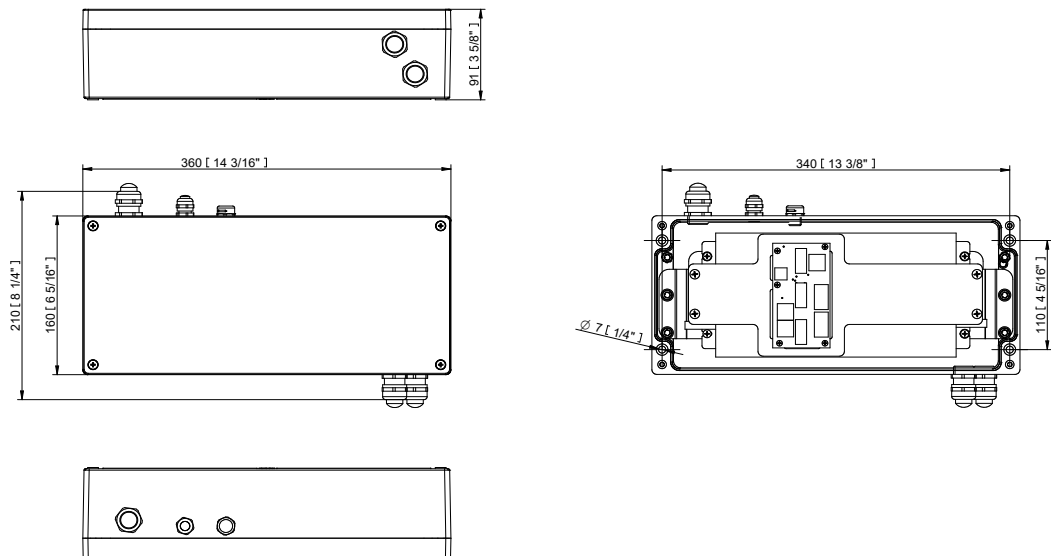
E-BOX REMOTE BASIC SPECIFICATION

ELECTRICAL	Input Voltage	120 - 277 V AC 50/60 Hz
	Typical Power Consumption	520 W
CONTROL	Power supply	Integrated
	Connectivity	16 pcs of Eminere Remote 1 (50m cable - total length) via 1 Output, 20 pcs in total for both Outputs (25m cable - total length)
PHYSICAL	Length x Width x Height	360 x 210 x 91 mm (14.17 x 8.27 x 3.58 in.)
	Weight	5 kg / 11.02 lbs
	Number of LED Output zones	2
	Max. Load Per Output	16 pcs of Eminere Remote 1 (50 m cable) via 1 Output
	Cable Length per E-Box	Max. 25 m (@ 20 pcs) Max. 50 m (@ 16 pcs) Max. 75 m (@ 13 pcs) Max. 100 m (@ 10 pcs)
	Housing	Die-Cast Aluminium Case
	Finish Options	Standard Colour - Graphite Black (RAL 9011) Silver (RAL 9006) Cost Option - Custom RAL, Harsh Environment (RAL 9016, RAL 9011)
	Cables / Connections	Cable Grommet (stainless steel)
	Mounting Method	Surface Mount, 4 Mounting Holes
	Protection Factor	IP65 / Suitable For Wet Locations
	IK Rating	IK10
	Cooling System	Convection
	Operating Ambient Temperature	-20 °C / +40 °C (-4 °F / +104 °F)
CERTIFICATION	Listings	ETL / cETL, CE, RoHS, UKCA

E-BOX REMOTE DIMENSIONS

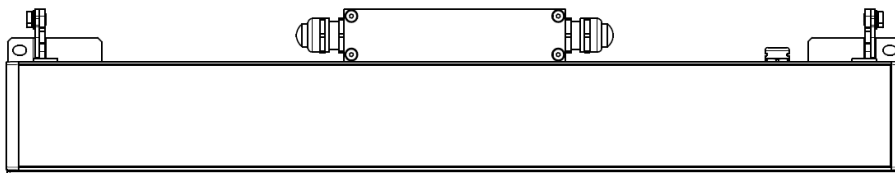
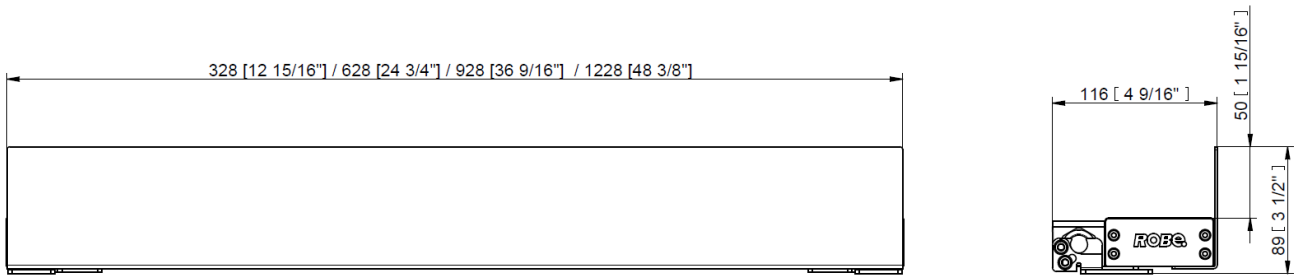


E-BOX REMOTE BASIC DIMENSIONS



ACCESSORIES

Shield for Eminere Remote



Mounting brackets

