

AMBIANE™ XP56 RECESSED

INSTALLATION INSTRUCTIONS

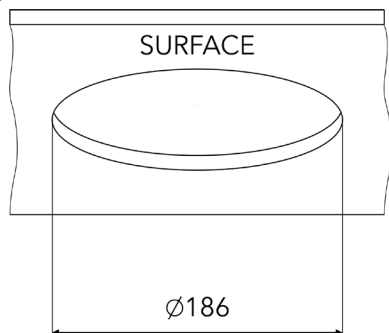


The unit must be installed by a qualified electrician in accordance with all national and local electrical and construction codes and regulations.



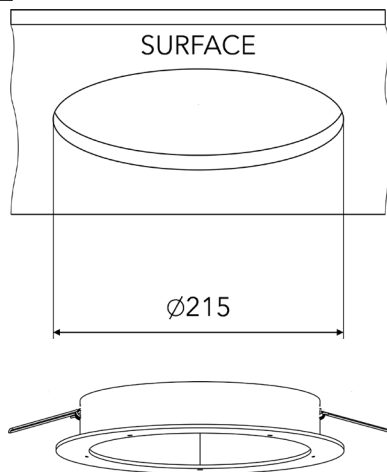
STEP 1 LOWER CEILING OPENINGS

1A Standard



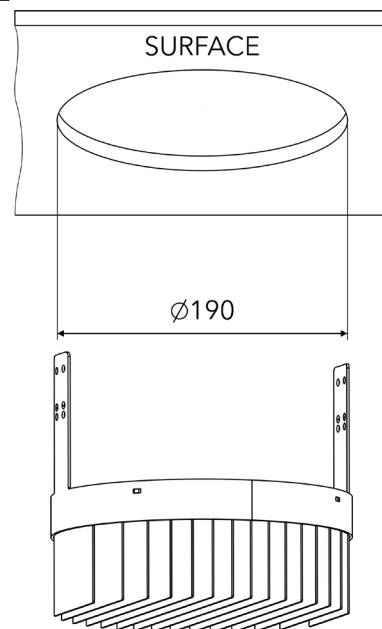
Without using a Trim or a Louver, prepare opening of 186mm diameter in lower ceiling.

1B With Trim



Trim is used to cover opening in the lower ceiling. Ceiling opening diameter must be 215mm for application with the Trim.

1C With Louver

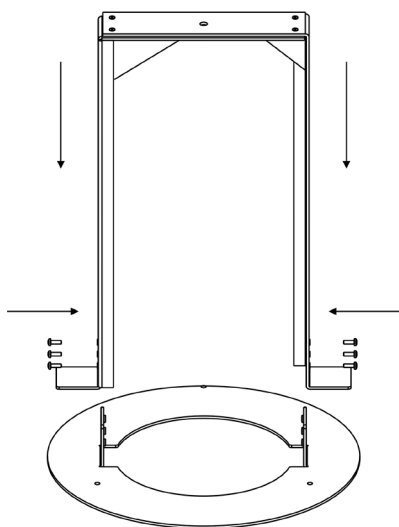


Louver is used for elliptical output. Ceiling opening diameter must be 190mm for application with the Louver.

STEP 2.A MOUNTING - WITH FALSE CEILING ADAPTOR

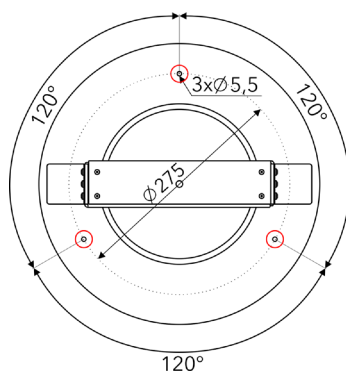
Mounting surface (structure) must safely hold at least 5 times weight of Ambianes + Adaptors placed on it.

1
6X M4x12



Assemble installation tool and secure it by six screws.

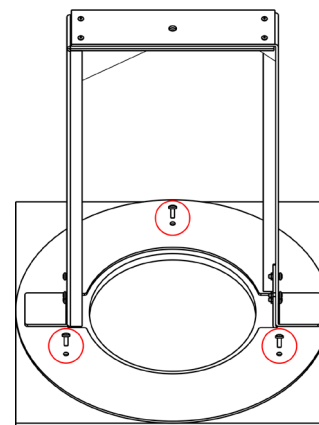
2



Prepare holes in the surface (lower ceiling) according to spacing of mounting holes on base plate.

3

Use fasteners that are appropriate for use with your mounting surface.

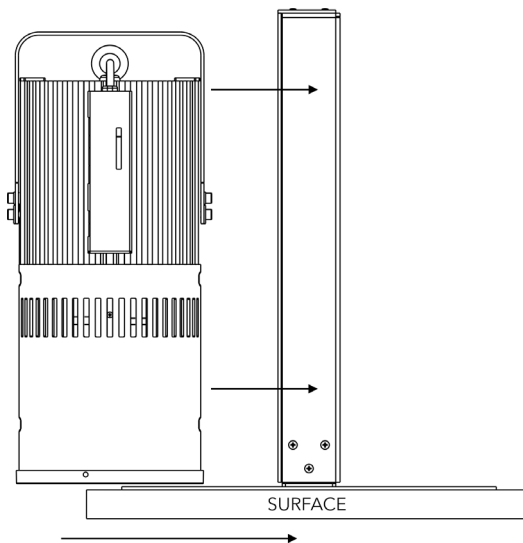


Mount installation tool on the surface and fix by three screws.

AMBIANE™ XP56 RECESSED

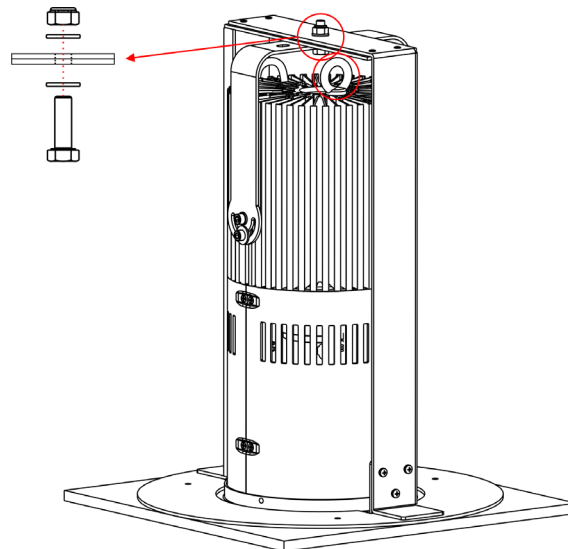
INSTALLATION INSTRUCTIONS

4



Slide the Ambiane XP56 into the False Ceiling Mounting Adaptor.

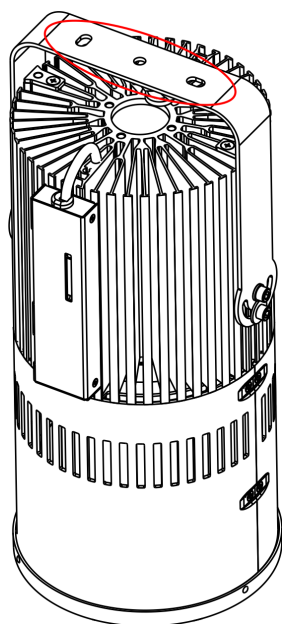
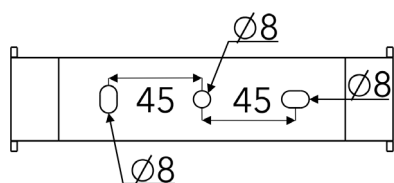
5



Fasten yoke of Ambiane XP56 to the adaptor with screw, nut and washers provided with adaptor.
The Ambiane XP56 has to be secured to the ceiling (or other structure) via a safety wire pulled through the mounting lug.

STEP 2.B MOUNTING - STANDARD YOKE

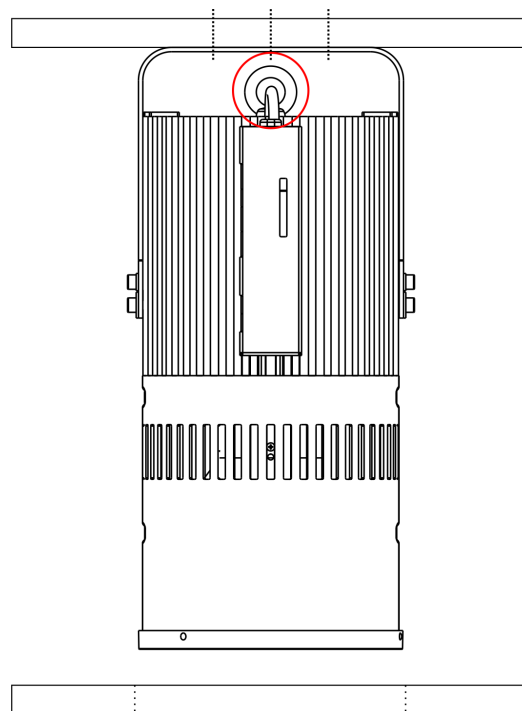
1



Drill holes in upper ceiling (or other construction) according to mounting holes on the Yoke.

2

⚠ Use fasteners that are appropriate for use with your mounting surface. ⚠



Fasten the luminaire to the surface with suitable fasteners. Secure the Ambiane XP56 to the ceiling (construction) via a safety wire pulled through the mounting lug (highlighted on picture above)

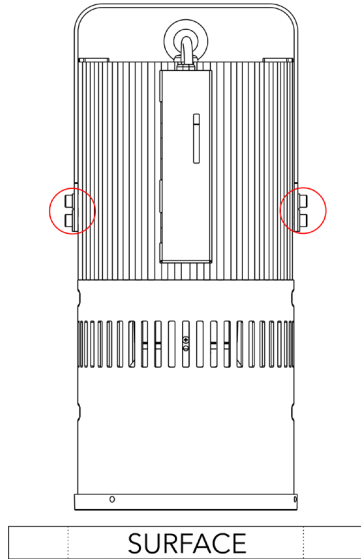
AMBIANE™ XP56 RECESSED

INSTALLATION INSTRUCTIONS

STEP 3 VERTICAL POSITION ADJUSTMENT

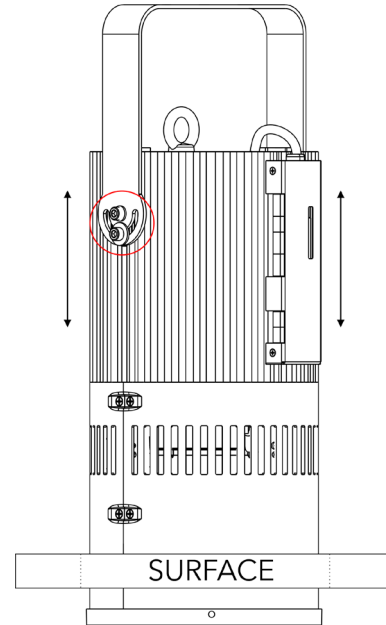
1

4X ⊕ M6x12



2

4X ⊕ M6x12



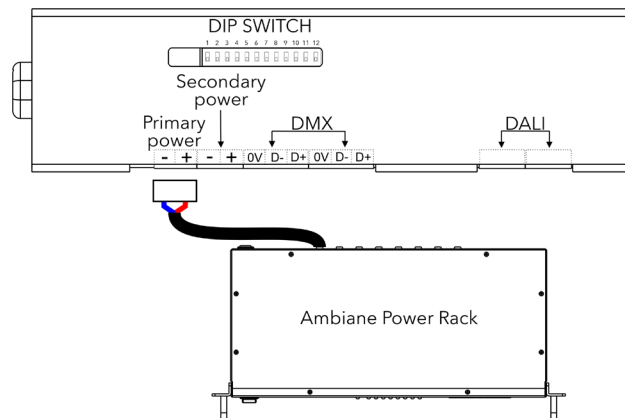
To move the Yoke/luminaire up or down loosen both screws on each side of the Yoke.

To tilt the Yoke/luminaire in range +/-90° loosen only the lower screw on each side of the Yoke.

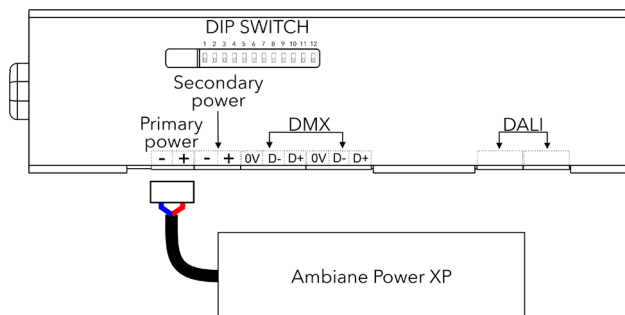
Adjust the fixture into desired position and tighten all loosened screws.

STEP 4 PRIMARY POWER CONNECTION

1A



1B

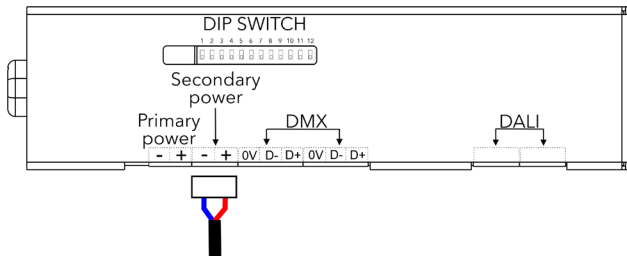


Install terminal block on Primary power cable leading from Ambient Power Rack or Ambient Power XP and connect it to the Control Unit.

AMBIANE™ XP56 RECESSED

INSTALLATION INSTRUCTIONS

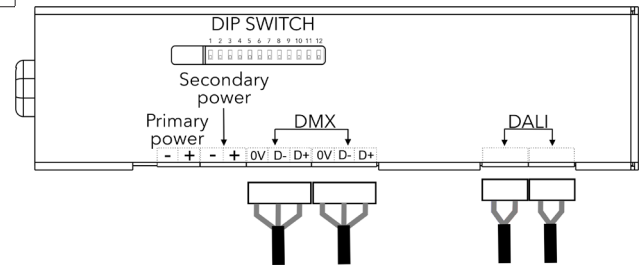
STEP 5 SECONDARY POWER CABLE CONNECTION 48V (SCOPE OF OTHERS)



Install terminal block on Secondary power cable and connect it to the Control Unit.

STEP 6 DATA CABLES CONNECTION

1



Install terminal blocks on DMX or DALI cables and connect them to the Control Unit.

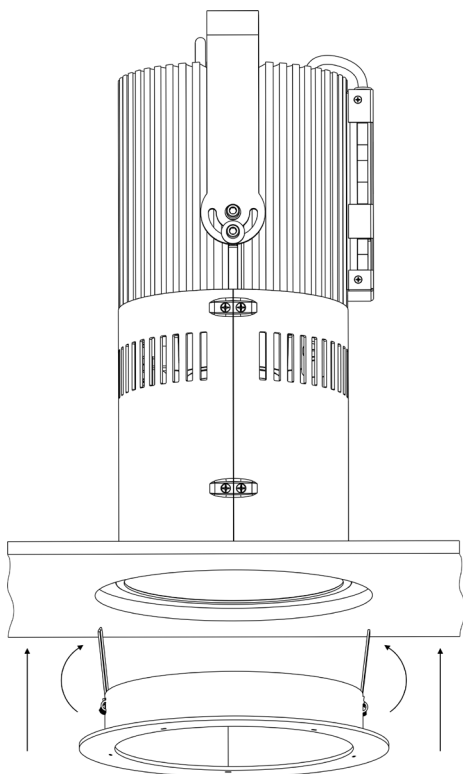
2

DMX CONNECTION		
0V	D-	D+
Data Ground	Data -	Data +

Set the DIP switches to positions according to your operation mode. The fixture can be controlled by DMX or DALI (switch 11 in OFF position).

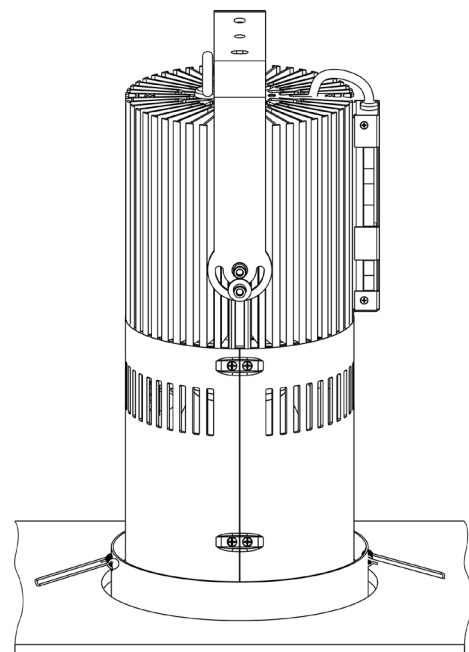
STEP 7.A INSTALLATION OF TRIM

1



Lift up both Spring Clips and slide the Trim onto the housing of the Ambiane XP56 through the opening in the lower ceiling.

2



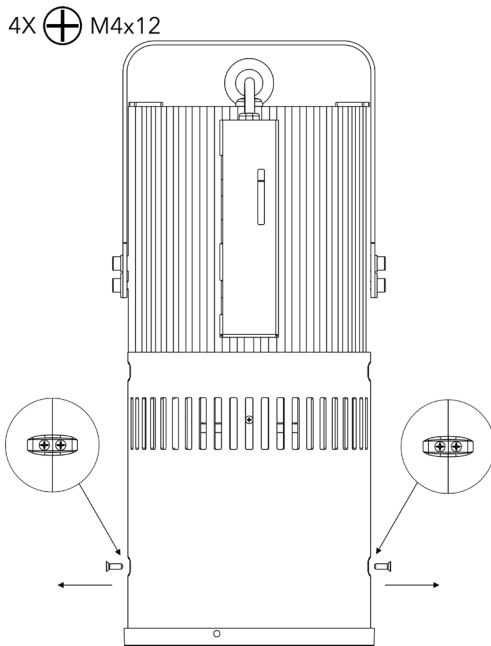
The Trim will be hold in place by Spring Clips after releasing them.

AMBIANE™ XP56 RECESSED

INSTALLATION INSTRUCTIONS

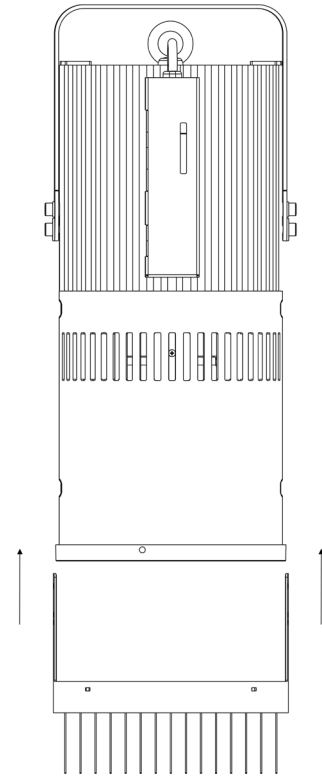
STEP 7.B INSTALLATION OF LOUVER (LOUVER 5°,10°)

1



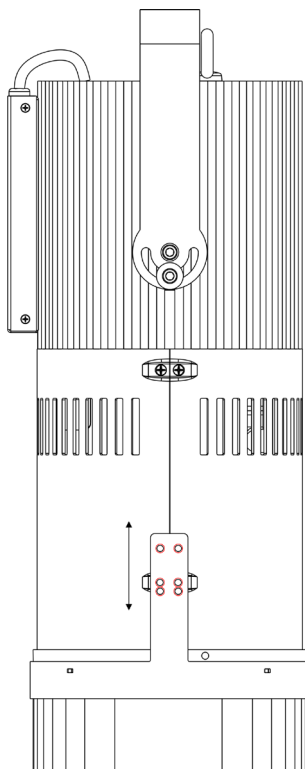
Unscrew two M4x12 screws on each side of the Ambiane XP56.

2



Slide the louver onto the housing of the Ambiane XP56.

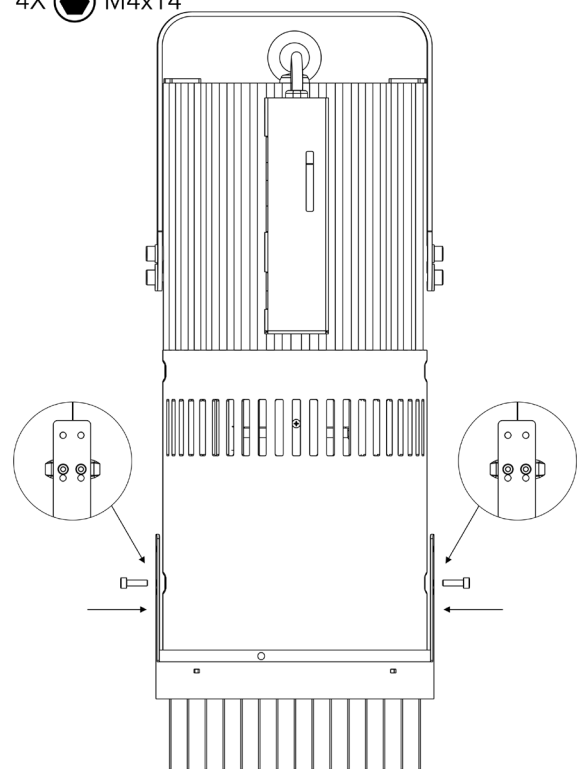
3



There are three sets of mounting holes on the Louvre. (Size of the luminaire depends on type of used optic) When the Louver is mounted on luminaire, one of those sets will match mounting holes on housing of the luminaire.

4

4X ● M4x14



Secure the Louver by means of two M4x14 (enclosed with the Louver) on each side of the Ambiane XP56's housing.