

EMINERE SIDE™ 1 / 2 / 3 / 4

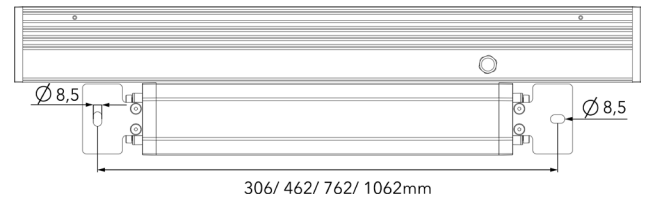
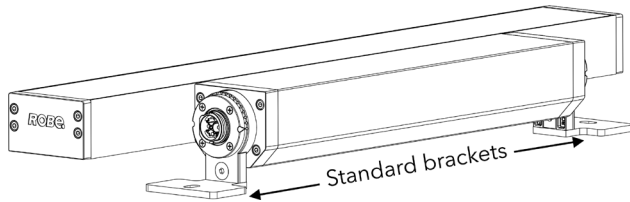
INSTALLATION INSTRUCTIONS



The unit must be installed by a qualified electrician in accordance with all national and local electrical and construction codes and regulations. This device falls under class one and must be grounded!

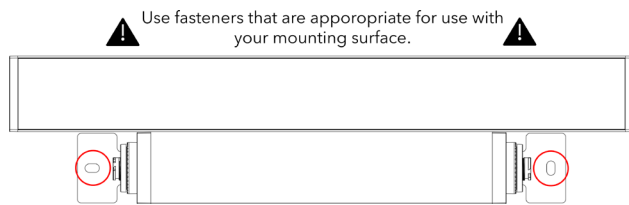


STEP 1.A INSTALLATION WITH STANDARD MOUNTING BRACKETS



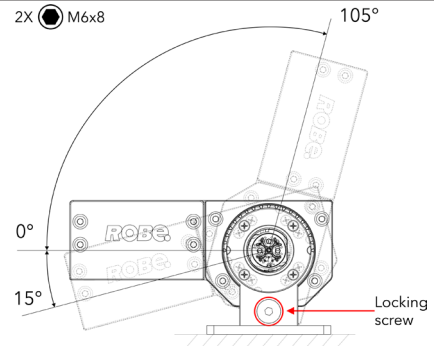
Brackets spacing.

1



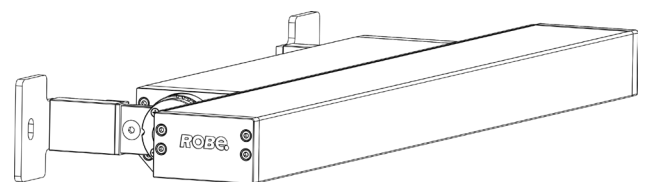
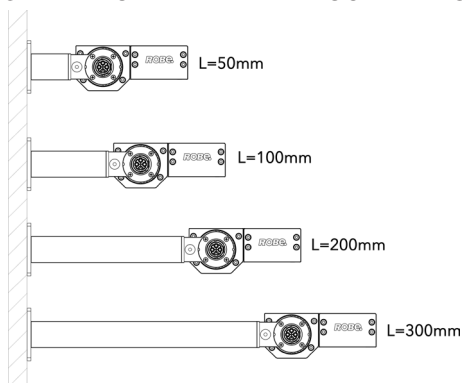
Drill 2 holes to the surface according to brackets spacing.

2



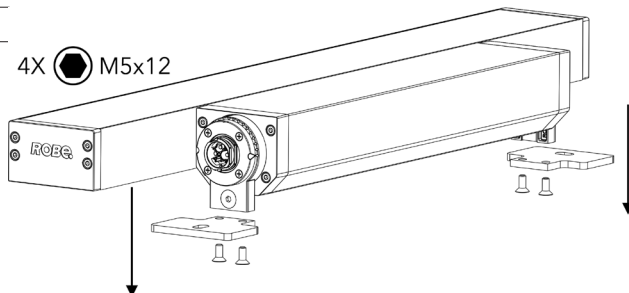
Release locking screw M6x8 on each sides. Position fixture and tighten by screws via brackets holes to pre-drilled holes on the surface. Angle fixture to desired position and tighten locking screw on each sides.

STEP 1.B INSTALLATION WITH WALL-MOUNT BRACKETS



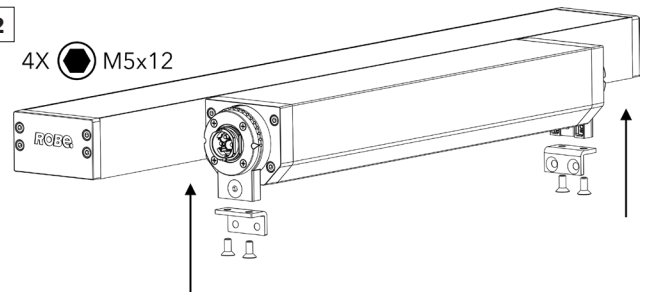
Wall-mount brackets.

1



Undo 2x standard mounting brackets.

2

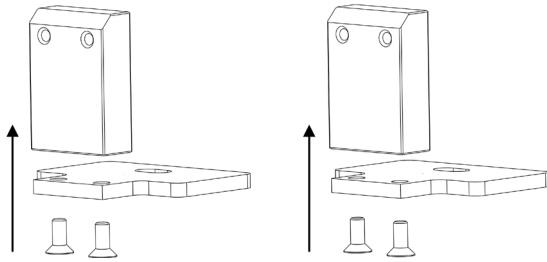


Install 2x L-shape brackets.

EMINERE SIDE™ 1 / 2 / 3 / 4

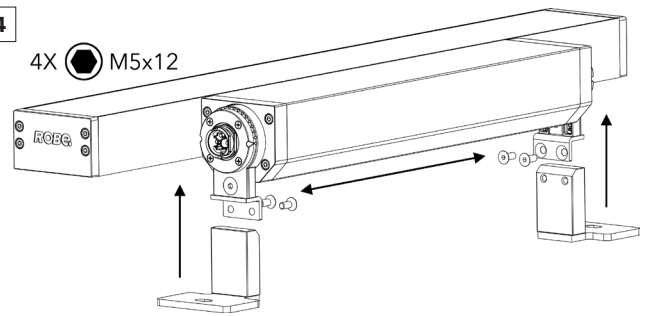
INSTALLATION INSTRUCTIONS

3 4X M5x12



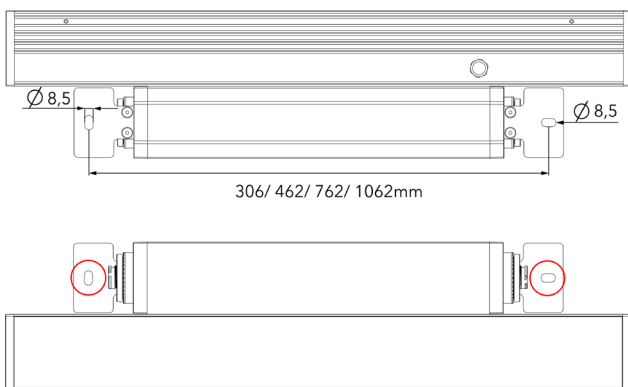
Connect together 2x wall-mount brackets.

4 4X M5x12



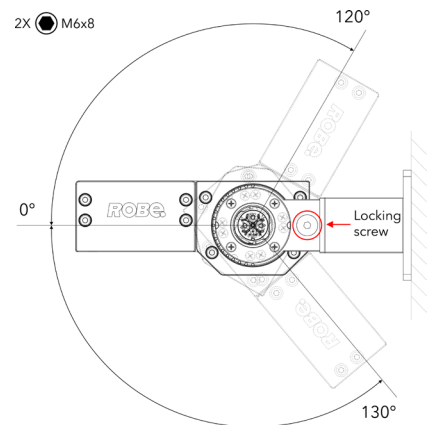
Screw in 2x wall-mount brackets to the fixture.

5 Use fasteners that are appropriate for use with your mounting surface.



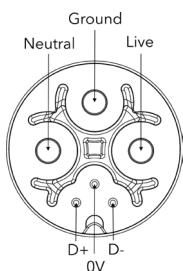
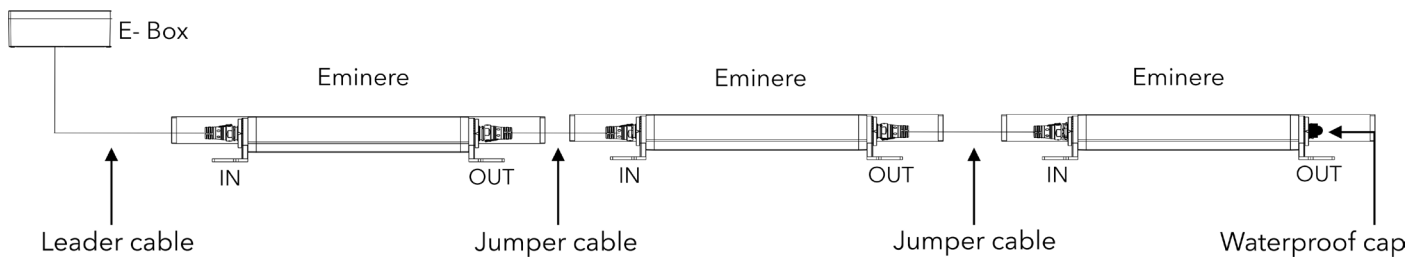
Drill 2 holes to the surface according to brackets spacing.

6 2X M6x8

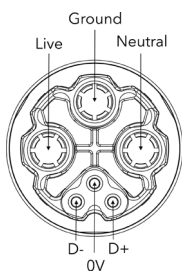


Release locking screw M6x8 on each sides. Position fixture and tighten by screws via brackets holes to pre-drilled holes on the surface. Angle fixture to desired position and tighten locking screw on each sides.

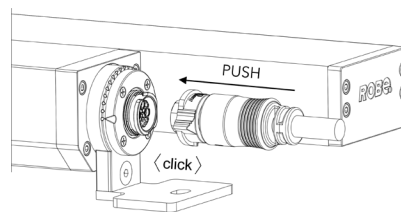
STEP 2 CONNECTION



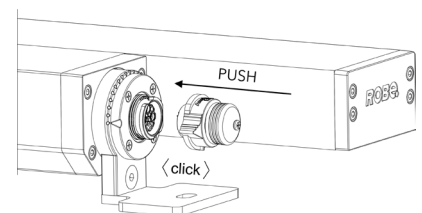
Fixture Input Connector shown



Fixture Output Connector shown



Jumper / Leader Cable

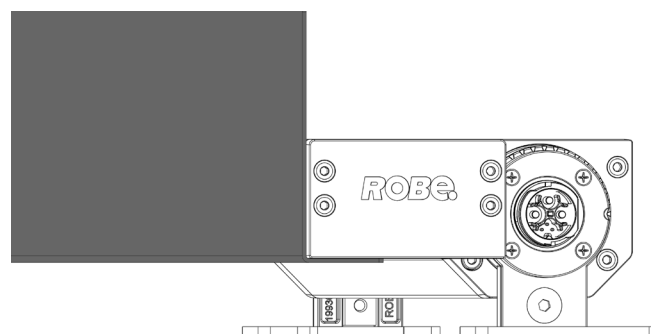
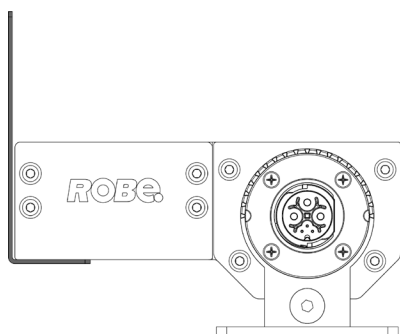


Waterproof cap
Install on last fixture in a row.

EMINERE SIDE™ 1 / 2 / 3 / 4

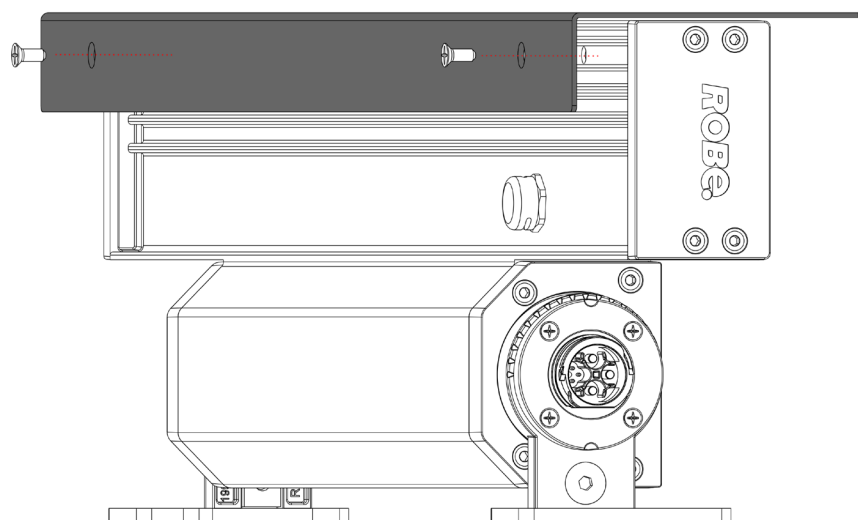
INSTALLATION INSTRUCTIONS

STEP 3 INSTALLATION OF ACCESSORIES - SHIELD

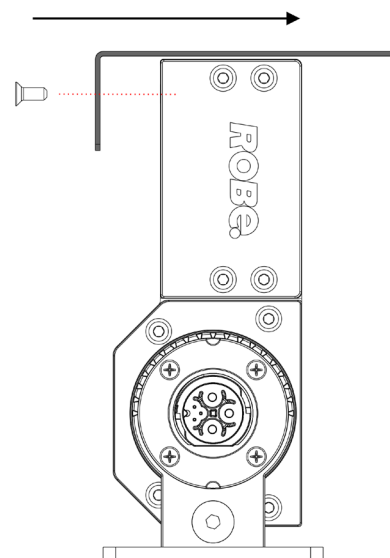


1

2X  M4x10



2



Place optional accessory shield on the fixture and attach with screws.