

## E-BOX™ REMOTE BASIC

The most economical solution to control up to 20 Eminere Remote 1 luminaires per device, the E-Box Remote Basic features an auto-ranging power supply suitable for mains voltages between 120–277 V AC for optimal performance. The 48 V DC output voltage insures safe operation. With control via wired USITT DMX512, the E-Box Remote Basic is the ideal combination of technology standards and cost effectiveness in a durable housing with both IK10 and IP65 protection ratings and a 5 year warranty.



### KEY FEATURES

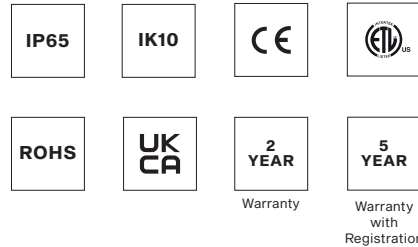
#### Output & Control

The E-Box Remote with double output allows the connection of up to 20 Eminere Remote 1 luminaires per device with a low 48 V output for safe operation.

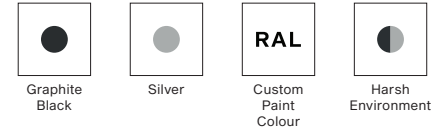
#### Physical

E-Box Remote holds IP65 and IK10 certifications for robust reliability.

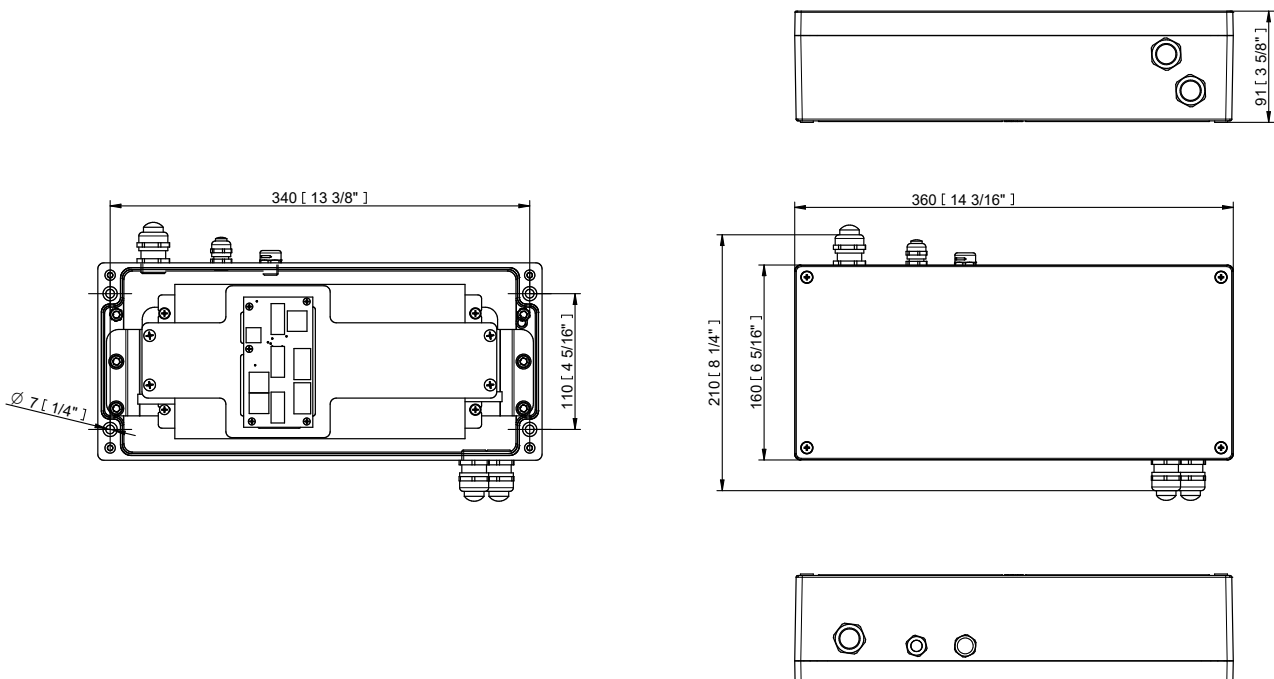
### STANDARD & SPECIFICATION



### FINISH OPTIONS



### DIMENSIONS



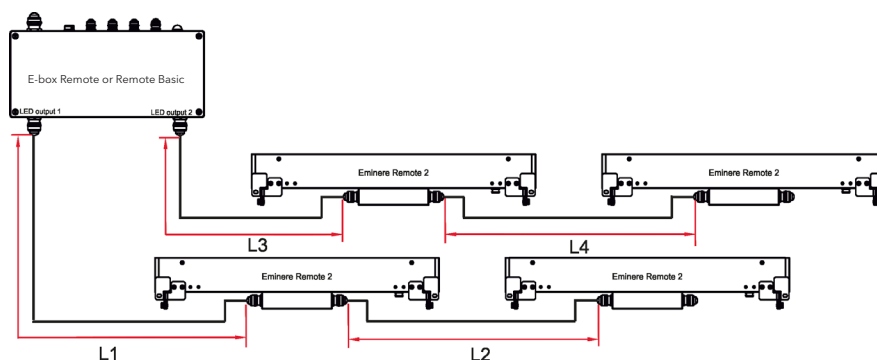
**E-BOX REMOTE BASIC SPECIFICATION**

|                               |                                   |  |
|-------------------------------|-----------------------------------|--|
| <b>ELECTRICAL</b>             | Input Voltage                     | 120 - 277 V AC 50 / 60 Hz  |
|                               | Typical Power Consumption         | 520 W  |
| <b>CONTROL</b>                | Power supply                      | Integrated   |
|                               | Connectivity                      | 16 pcs of Eminere Remote 1 (50m cable - total length) via 1 Output, 20 pcs in total for both Outputs (25m cable - total length)      |
| <b>PHYSICAL</b>               | Width x Height x Depth            | 360 x 210 x 91 mm (14.17 x 8.27 x 3.58 in.)  |
|                               | Weight                            | 5 kg / 11.02 lbs   |
|                               | Number of LED Output zones        | 2  |
|                               | Max. Load Per Output              | 16 pcs of Eminere Remote 1 (50m cable) via 1 Output  |
|                               | Cable Length per E-Box            | Max. 25 m (@ 20 pcs)   Max. 50 m (@ 16 pcs)   Max. 75 m (@ 13 pcs)   Max. 100 m (@ 10 pcs)   |
|                               | Housing                           | Die-Cast Aluminium Case  |
|                               | Finish Options                    | Standard Colour - Graphite Black (RAL 9011)   Silver (RAL 9006)<br>Cost Option - Custom RAL   Harsh Environment (RAL 9016, RAL 9011) |
|                               | Cables / Connections              | Cable Grommet (stainless steel)  |
|                               | Mounting Method                   | Surface Mount, 4 Mounting Holes  |
|                               | Protection Factor                 | IP65/ Suitable For Wet Locations   |
|                               | IK Rating                         | IK10   |
|                               | Cooling System                    | Convection   |
| Operating Ambient Temperature | -20 °C / +40 °C (-4 °F / +104 °F) |  |
| <b>CERTIFICATION</b>          | Listings                          | ETL / cETL, CE, RoHS, UKCA   |

**CONNECTION**

The table states max. number of Eminere Remote (UV) modules connected to the E-box Remote Basic.

| Cable length (m) | Max. number of Emineres Remote connected to the E-Box Remote Basic |                       |                  |                       |
|------------------|--|-----------------------|------------------|-----------------------|
|                  | EMINERE REMOTE 1   | EMINERE REMOTE 2 (UV) | EMINERE REMOTE 3 | EMINERE REMOTE 4 (UV) |
| 25               | 20   | 10                    | 6                | 5                     |
| 50               | 16   | 8                     | 5                | 4                     |
| 75               | 13   | 6                     | 4                | 3                     |
| 100              | 10   | 5                     | 3                | 2                     |



\* Cable length is a total cable length between E-box Remote (or Remote Basic) and last connected Eminere Remote. Example: Total cable length=L1+L2+L3+L4