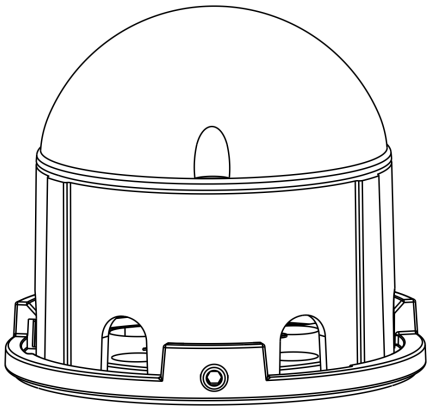




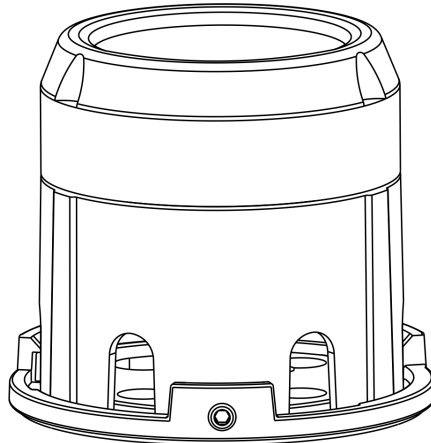
Fixture must be installed by a qualified electrician in accordance with all national and local electrical and construction codes and regulations.



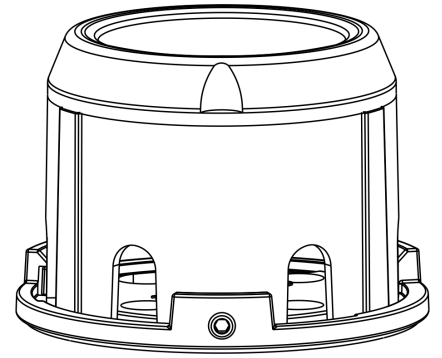
ArcDot



ArcDot Optic

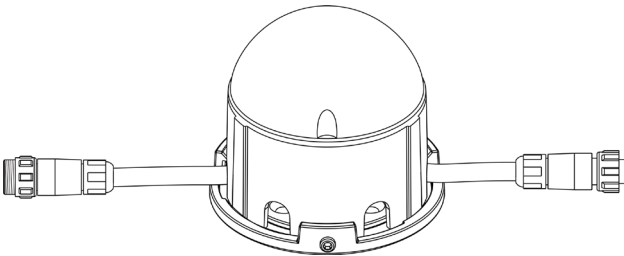


ArcDot Flash

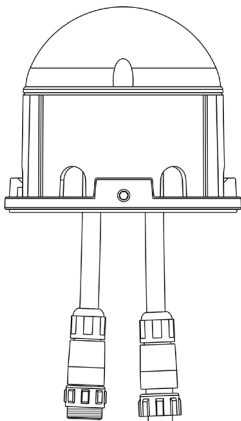


Version 1- with two supply cables

1A Side connection

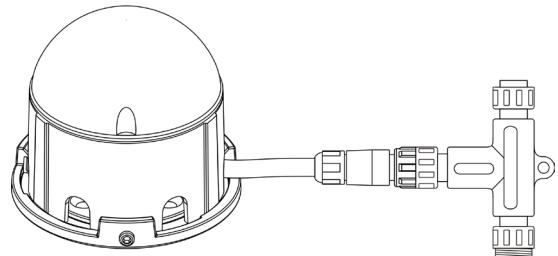


1B Bottom connection

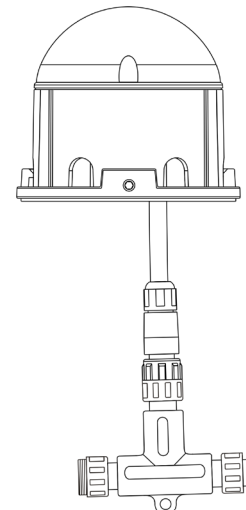


Version 2- with one supply cable and T-connector

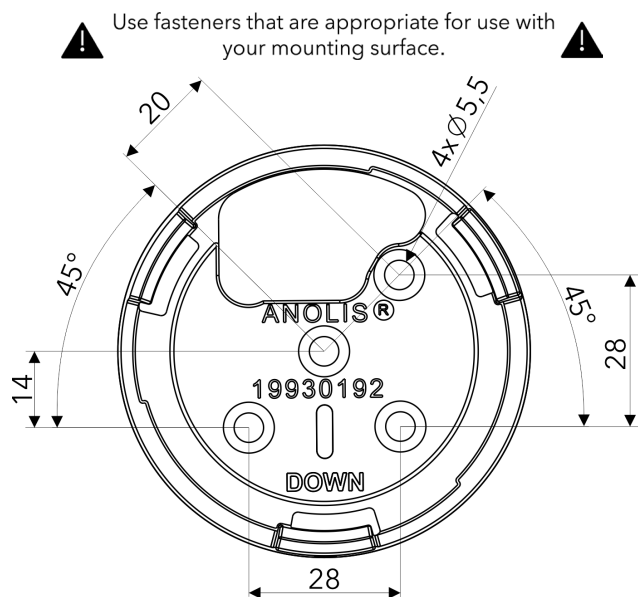
2A Side connection



2B Bottom connection

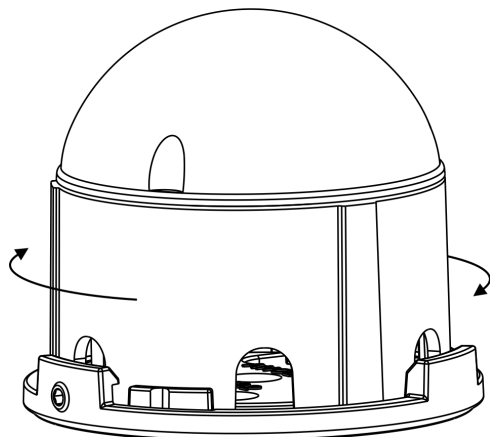


STEP 1 INSTALL HOUSING



Drill holes to the mounting surface according to base plate holes spacing. Mount base plate via fasteners to the surface, taking care not to over tighten them.

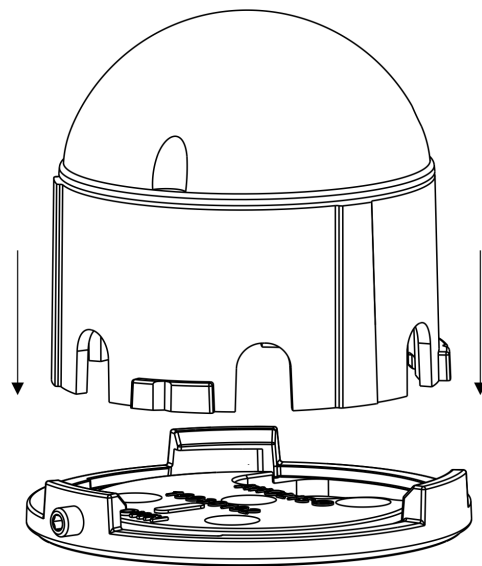
2



Turn with luminaire in clockwise direction, until you feel it is mounted well.

STEP 2 INSTALL LUMINAIRE

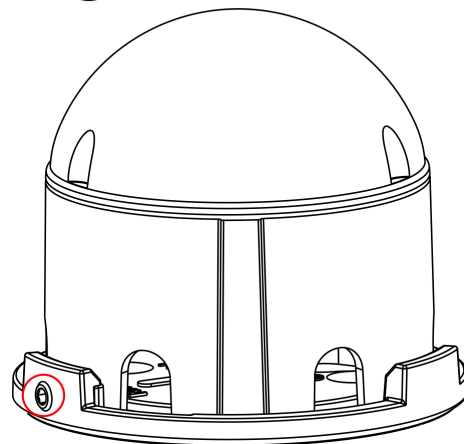
1



Snap the luminaire on mounted base plate.

3

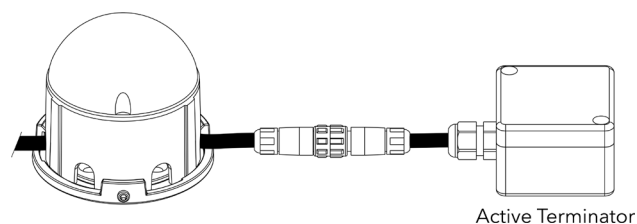
1X  M5x5



Ensure the luminaire position with M5x5 bolt.

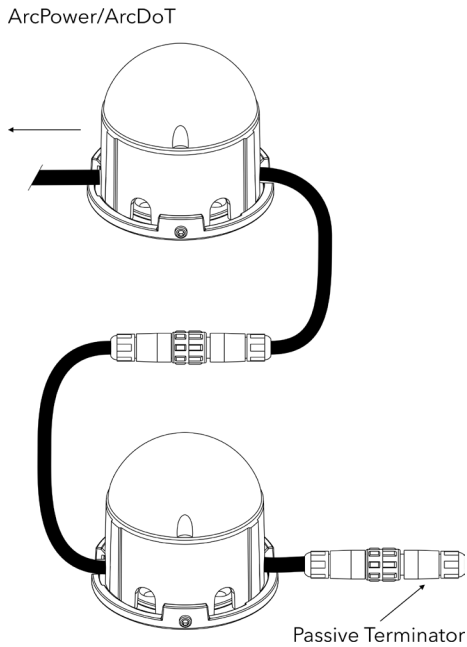
STEP 3 CONNECTION LUMINAIRE

Before ArcDots are connected to power source, you have to connect the Active Terminator on the last luminaire in the row. That is necessary for correct identification of every single ArcDot and this has to be done for setup of every ArcDots row. You can change the Active Terminator box for Passive Terminator box, when the set up is finished.

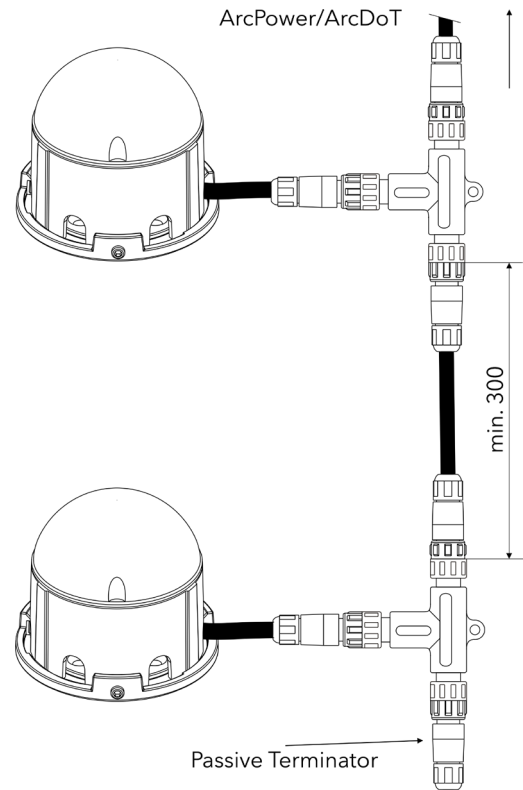


⚠ Every ArcDot line has to be terminated with the active/passive terminator ⚠

Version 1- with two supply cables



Version 2- with one supply cable and T-connector

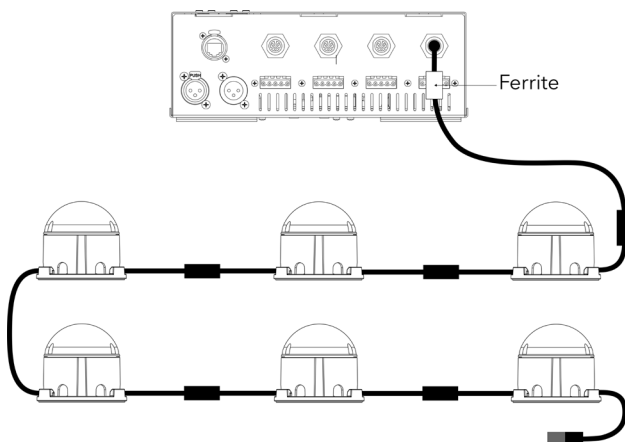


The minimum cable length of 0.3m between two T-connectors has to be kept in case that the ArcDot sorting is done manually from the ArcPixel Power menu.

⚠ Maximum length between the Arc Power and the last ArcDot must not exceed 100 meters. Do not connect or disconnect the ArcDot strings with the ArcPixel Power/ArcPower Unit Pixel energized. ⚠

1A

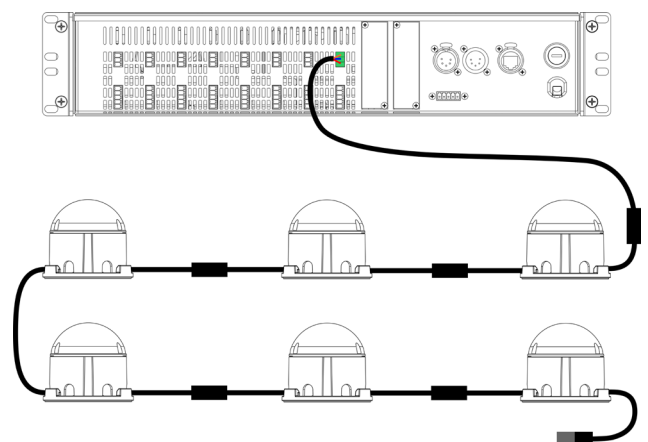
ArcPixel Power



Connect the ArcPixel row into ArcPixel Power. There must be a ferrite filter placed on every ArcPixel Power output to avoid high frequency noises in the circuit.

1B

ArcPower Unit Pixel



Install terminal blocks on cable and connect it to the ArcPower Unit Pixel.