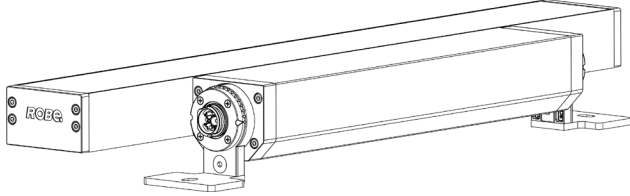
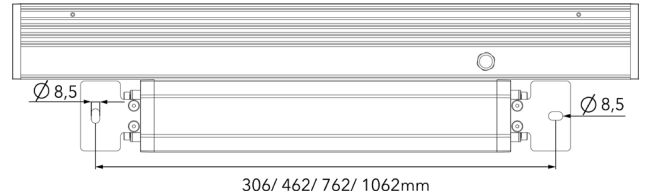




The unit must be installed by a qualified electrician in accordance with all national and local electrical and construction codes and regulations. This device falls under class one and must be grounded!



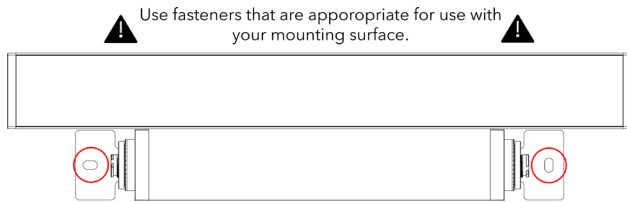
Eminere Side with standard mounting brackets.



Brackets spacing.

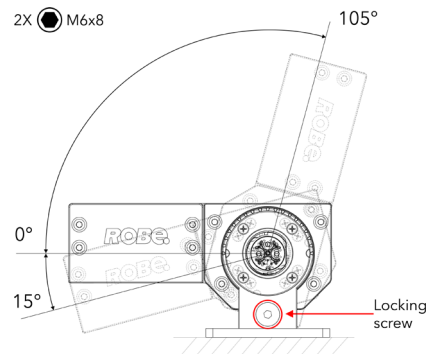
STEP 1.A
MOUNTING AND TILTING - STANDARD BRACKETS

1



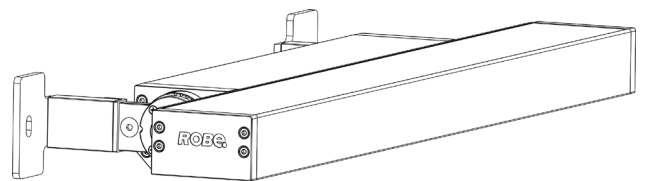
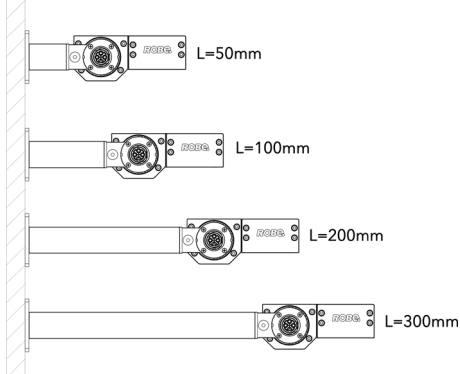
The Eminere Side can be arranged in any orientation on a flat, non-flammable surface by means of two mounting brackets. Two mounting holes can be drilled into the mounting surface according to brackets spacing and size of fasteners, prior to mounting of the fixture.

2



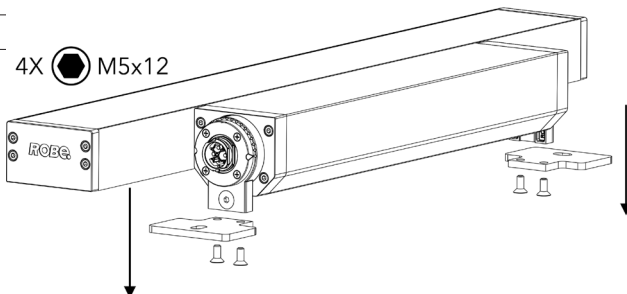
Mounting brackets can be tilted by 120°. Loosen M6x8 locking screws on both sides, adjust fixture to desired position and fasten the fixture to mounting surface (via pre-drilled holes). Tilt the luminaire into desired angle and tighten locking screws on both sides.

STEP 1.B
INSTALLATION OF WALL MOUNT BRACKETS



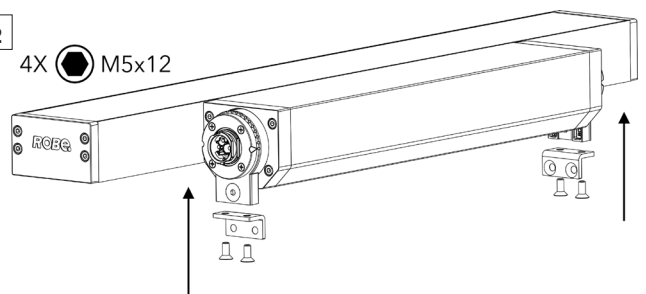
Eminere Side Wireless with Wall Mount Brackets.

1



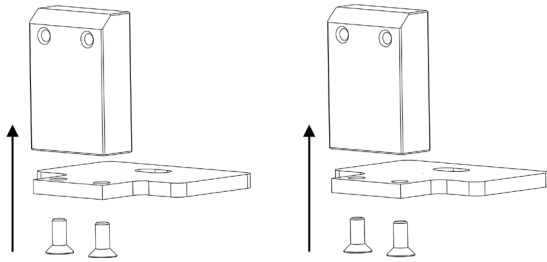
Unscrew four M5x12 from original mounting brackets and remove the brackets.

2



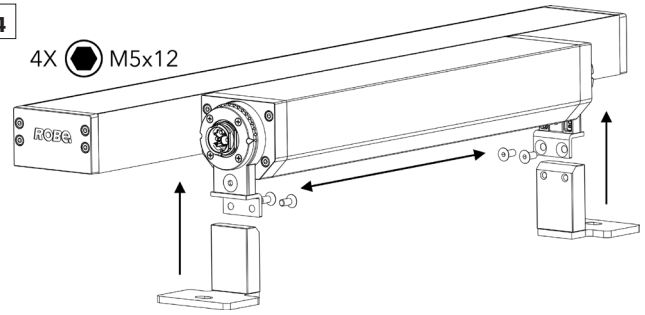
Fasten L-shape brackets into screw holes of original mounting brackets on both sides with four M5x12 screws.

3 4X M5x12



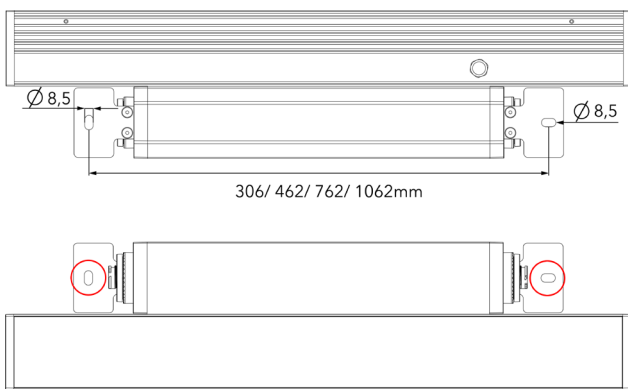
Fasten together original Mounting Brackets and Wall Mount extension parts with four M5x12 screws (as illustrated).

4 4X M5x12



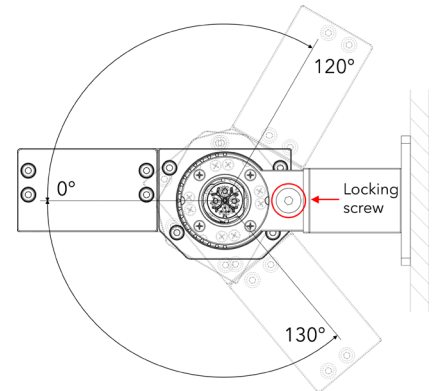
Fasten together the Wall Mount Brackets and L-shape brackets on the fixture with four M5x12 screws.

5 Use fasteners that are appropriate for use with your mounting surface.



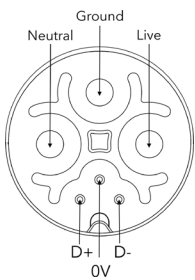
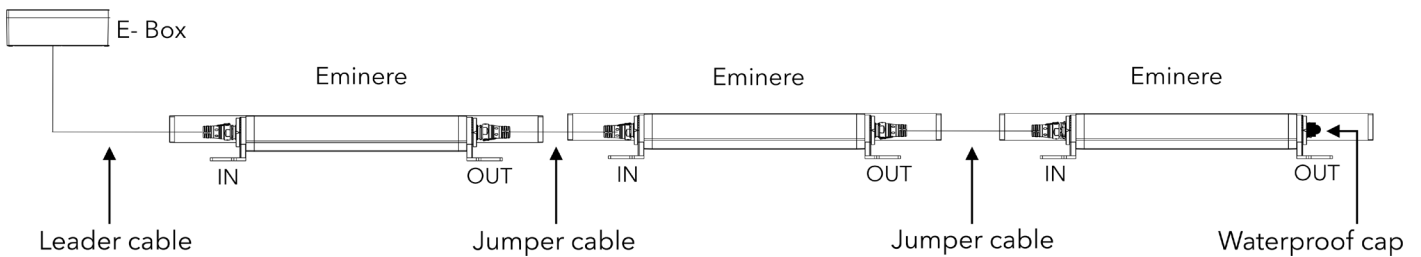
Fixture can be mounted in any orientation on a flat, non-flammable surface. Luminaire can be tilted for easier access to mounting holes (see next step).

6

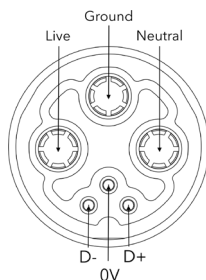


Fixture with Wall Mount brackets can be tilted by +130°/-120°. Loosen M6x8 locking screws on both sides, adjust fixture to desired angle (mount fixture to the surface, if it's not done yet) and tighten locking screws on both sides.

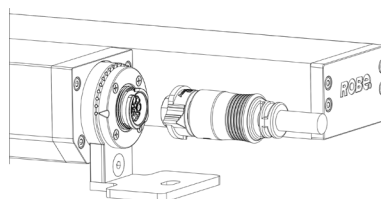
**STEP 2
CONNECTION**



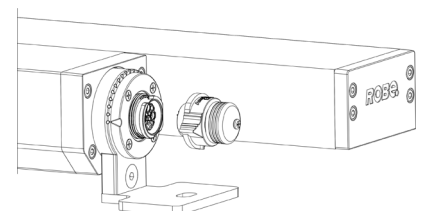
Fixture Input Connector shown



Fixture Output Connector shown



Jumper / Leader Cable

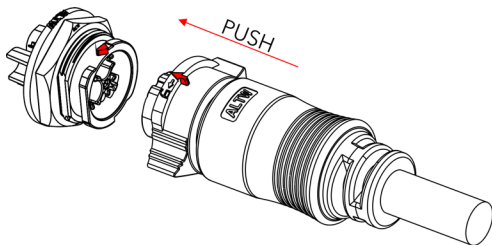


Waterproof cap Install on last fixture in a row.

CONNECTION OF CABLE AND PANEL CONNECTORS

LOCK

1



Align the arrow symbols on both connectors and push cable connector straight into the panel connector. **DO NOT TWIST THE BAYONET LOCK.**

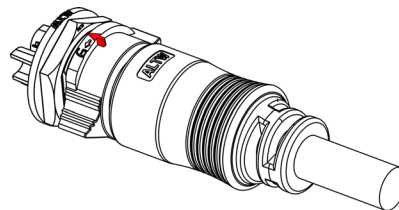
Correct connection should be signaled by silent „click“ sound.



Same installation for Jumper/Leader cable and Waterproof cap.



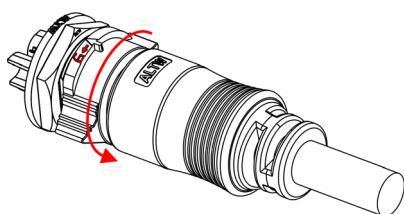
2



Cable connector mated to panel connector.

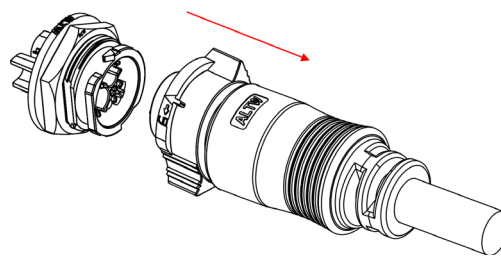
UNLOCK

1



Rotate the bayonet lock counter-clockwise by 30° (same as the arrow direction). Do not rotate clockwise during unmating process!

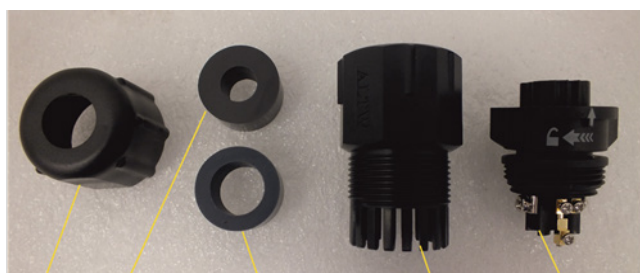
2



Pull out the cable connector from panel connector smoothly.

ASSEMBLING OF FIELD INSTALLABLE CONNECTOR

- 1 Dismantle the connector and slide its parts onto the cable (5). Use the seal with inner diameter of 14.5 mm for the Anolis cable. The seal with inner diameter of 14.5 mm serves for cable of diameter 10-14.5mm. The seal with inner diameter of 10 mm serves for cable of diameter 8-10mm.



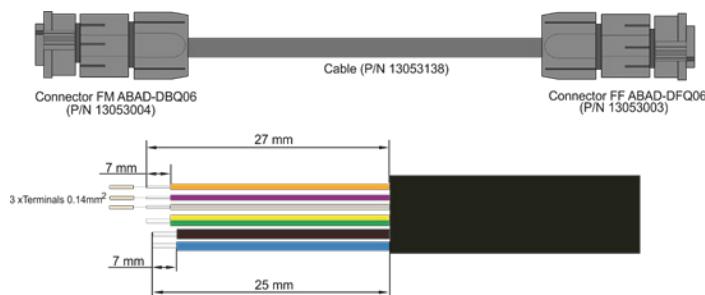
Sealing nut 4 Seal (inner diameter of 10mm) Seal (inner diameter of 14.5mm) Clamp ring 2 Connector with screws 1



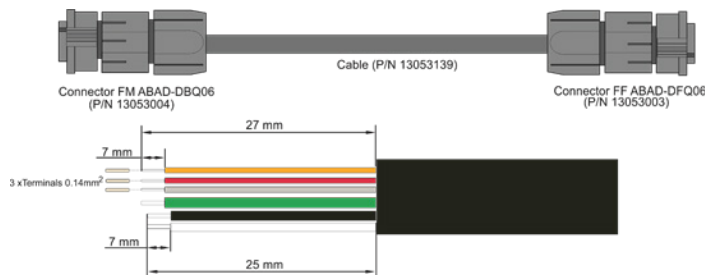
5 Cable

- 2 Remove insulation from the cable (5) and from individual wires and fasten three terminals on data wires.

US color code shown



EU color code shown

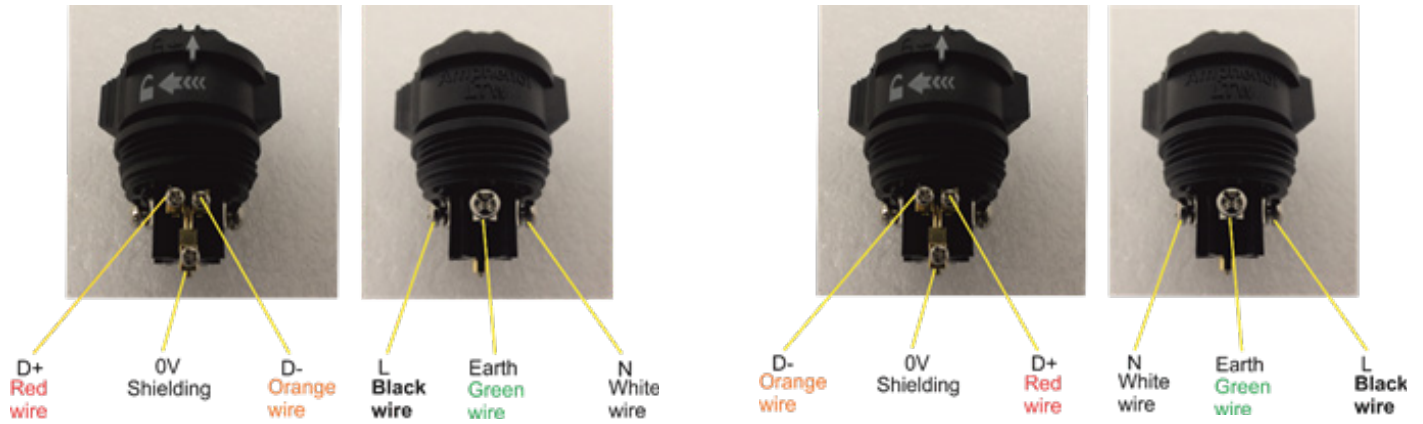


- 3** Put parts of the connector on the cable (5) and connect wires to the connector. First connect power wires (L,N, Earth) and after that data wires (D+, D-, 0V). Avoid excessive torsion of data wires!

US color code shown

MALE

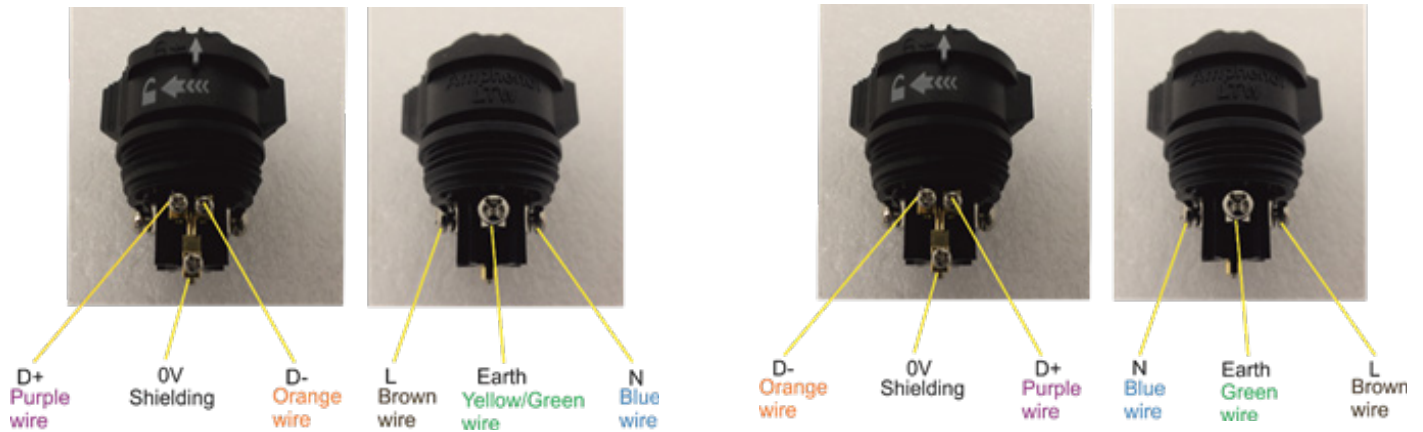
FEMALE



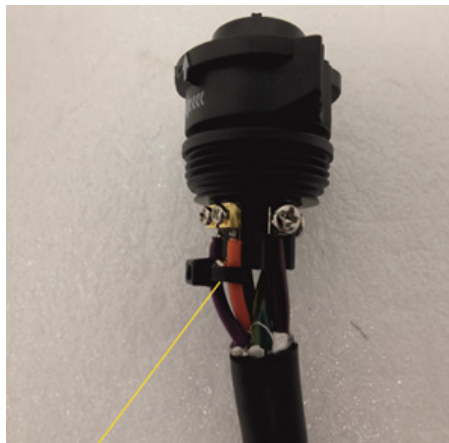
EU color code shown

MALE

FEMALE



- 4** After connecting wires to the connector, tighten the three data wires (D+,D-, 0V) by means of the cable binder (6).

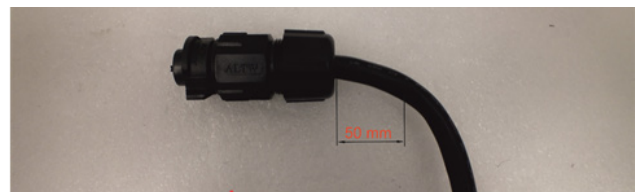


6
Cable binder

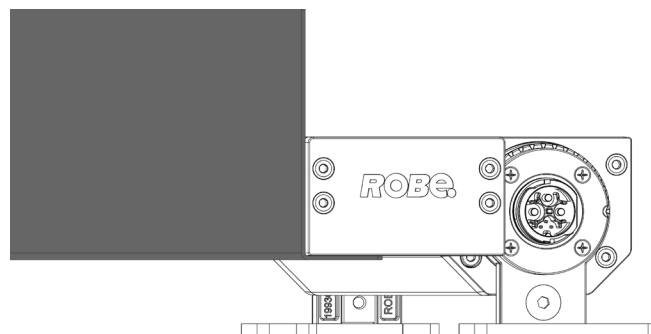
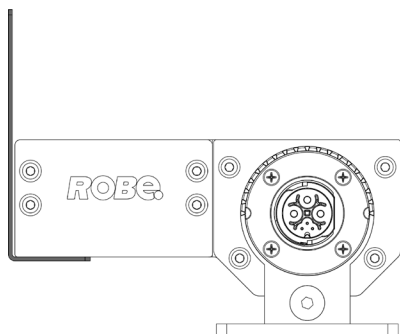
- 5** Screw the clamp ring (2) to the connector (1), insert the seal (3) to the clamp ring (2) and tighten the sealing nut (4) enough. During the steps DO NOT TWIST the cable (5).

- 6** Use the same procedure to assemble the connector on the second end of the cable.

Do not bend the cable near to the connector, minimum distance for bending is 50mm.

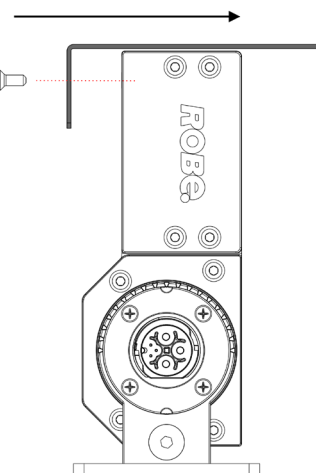
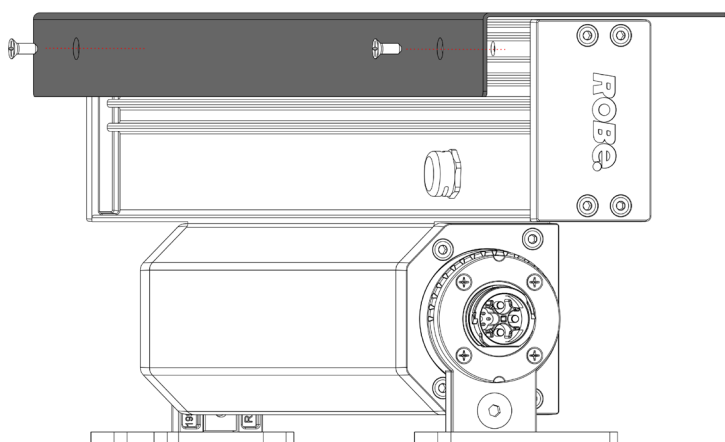


STEP 3
INSTALLATION OF ACCESSORIES - SHIELD



1

2X  M4x10



Fasten the Shield to the Eminere Side with two screws M4x10 from the bottom side of luminaire (as illustrated).