

## SUBDRIVE™ 1

Specifically designed for ArcSource Submersible II, the SubDrive power supply offers only low voltage and data transfer to fixture. Having options for 1 or 4 outputs, ArcSource Submersible II provides free hands for installation wiring and technical room requirements, while also offering several control modes for single or multiple fixture control, predefined tones of whites, or even  $\pm$  green correction.



### KEY FEATURES

#### Input & Output

With an input voltage which can be between 100 and 277 V for correct function, the source is providing one low voltage output – 24 V.

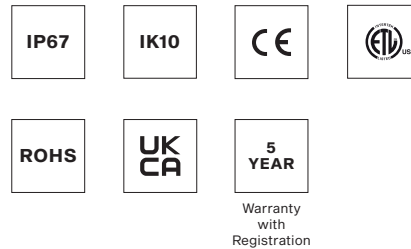
#### Control & Protocol

This power supply has a LCD display for easy setting and programming and control is realised through DMX 512 and RDM protocols. The DMX can be also realised in a wireless option and you can preprogram 3 custom programs in stand-alone mode.

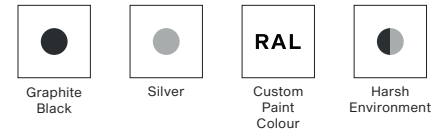
#### Physical

Offering a 5 year warranty, the SubDrive 1 is also IP67 and IK10 certified.

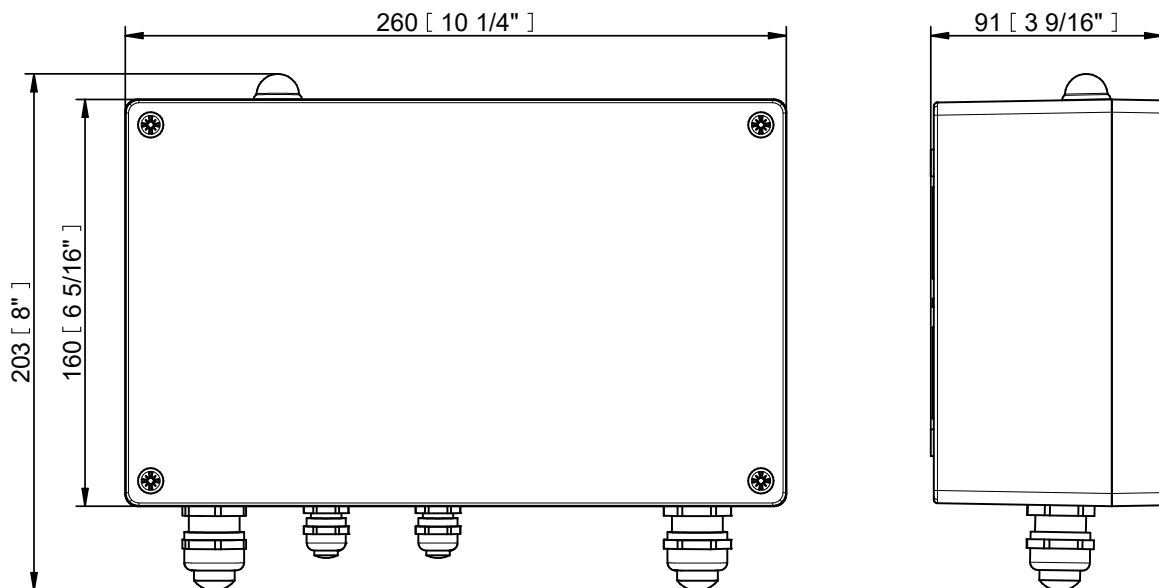
### STANDARD & SPECIFICATION



### FINISH OPTIONS



### DIMENSIONS



**SUBDRIVE 1 SPECIFICATION**

<b>ELECTRICAL</b>	Input Voltage	100 - 277 V AC 50 / 60 Hz
	Typical Power Consumption	Maximum mode (1A) – 90W @SubDrive 1
		Medium mode (700mA) - 70W @SubDrive 1
		Minimum mode (350mA) - 35W @SubDrive 1
	Max. Output Current	Maximum mode (1000 mA)   Medium mode (700 mA)   Minimum mode (350 mA)
LED Output Voltage	24V DC	
<b>CONTROL</b>	Display	4 - Digit LED, 4 buttons
	Wireless DMX (Option)	Lumen Radio CRMX Technology
	Interface Protocol	USITT DMX512, RDM
	Control System	Third Party DMX Controllers
	Operating Modes	DMX, Master/Slave, Stand-alone
	Programs/ Functions/ Features	Editable Program: 3 (up to 40 steps each)
	Settings / Addressing	Via RDM communicator or Robe Universal Interface (RUNIT)
	Width x Height x Depth	260 x 160 x 91 mm (10.24 x 6.30 x 3.58 in.)
	Weight	2.91 kg   6.42 lbs
	Number of LED Output zones	1
Max. Load Per Zone	1x ArcSource Submersible II	
Total Load	1x ArcSource Submersible II	
Max Cable Length	100m (Minimum mode)   50m (Medium mode)   25m (Maximum mode)	
LED Output Connection	Terminal Block	
DMX Connection	Terminal Block	
Power Connection	Terminal Block	
Finish Options	Standard Colour - Graphite Black (RAL 9011)   Silver (RAL 9006)	
	Cost Option - Custom RAL   Harsh Environment (RAL 9016, RAL 9011)	
Mounting Method	4 Mounting Holes	
Protection Factor	IP67 / Suitable For Wet Location	
IK Rating	IK10	
Cooling System	Convection	
Operating Temperature Range	-20 °C / +40 °C (-4 °F / +104 °F)	
<b>CERTIFICATION</b>	Listings	ETL / cETL, CE, RoHS, UKCA
<b>ACCESSORIES</b>	for SubDrive 1/ 4	Reducing Seal for Cable Diameter 4-8mm (1 pcs Included)