

CALUMMA™ M MC

Featuring an optical design using 7 high efficacy multi-chip LEDs and available with optional LED colour variants and various beam angles, the medium-sized Calumma M MC luminaire creates powerful and beautiful light output for a spot, accent or flood lighting solution. Its durable housing is built to withstand any exterior conditions, and its special finish for harsh and marine environments provides an exceptional outdoor LED luminaire in an elegant design. Additionally, Calumma M MC can be connected in long In/Out daisy-chains via an E-Box and hybrid Plug & Play connections for almost effortless installation. Complemented by wide range of accessories and control protocols, this luminaire is an effective and versatile unit to get the most out of architectural lighting applications.



KEY FEATURES

Lumen output & Light source

Luminaire with seven high-power, multi-chip LEDs provides up to 2906 lumen output. Multiple LED colour variants. No light spills. Perfectly homogenised light output with efficacy up to 41 lm/w.

Design & Durability

Compact, durable and stylish housing made of high-pressure die cast aluminium. IP67 and IK10 certification; suitable for marine and traffic applications. Supported with a 5 year warranty.

Flexibility

Exceptional outdoor or indoor LED luminaire with a wide range of accessories, custom colour finishes, multiple light output variants and beam angles.

Connectivity

Utilising the innovative E-Box series of power and data interfaces, Calumma M MC can communicate via numerous wired, wireless, and Ethernet based control protocols. Various wiring topologies are supported using hybrid power / data cables with Plug & Play connectors or standard connection options.

COLOURS

* UPON REQUEST



RGBW



RGBA



Pure White



Tuneable White *

COLOUR TEMPERATURE

* UPON REQUEST



3.000 K



3.000 K - 6.500 K *

CONTROL & PROTOCOLS



OPTIONAL



OPTIONAL



OPTIONAL



OPTIONAL



OPTIONAL

OPTIC OPTIONS

SYMMETRICAL



9°



15°



25°



30°



45°



65°



100°

BI-SYMMETRICAL



10°x30°



10°x60°



15°x45°



15°x90°



30°x60°



30°x90°

STANDARD & SPECIFICATION



IP67



IK10



CE



ETL



ROHS



UK CA



5 YEAR WARRANTY

Warranty with Registration



VIBRATION STANDARD FOR BRIDGE

Vibration Standard for Bridge

FINISH OPTIONS



Graphite Black



Silver



RAL

Custom Paint Colour



Harsh Environment

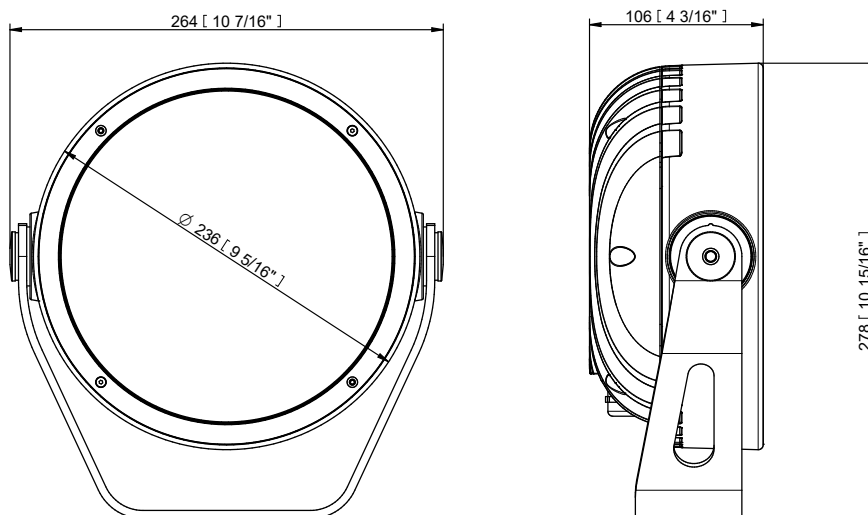
CALUMMA M MC SPECIFICATION

ELECTRICAL	Input Voltage	120 - 277 V AC 50/60 Hz (US)	
	Typical Power Consumption	65 W +/-10 %	
OPTICAL	Light Source	High Power Multichip LEDs	
	Colour Variants	RGBW (W - 6500 K) RGBA PW (W - 3000 K) Other Variants On Request (TW 3000 - 6500 K)	
	Beam Angle	9° 15° 25° 30° 45° 65° 100° 10°x30° 30°x10° 10°x60° 60°x10° 15°x45° 45°x15° 15°x90° 90°x15° 30°x60° 60°x30° 30°x90° 90°x30°	
	Lumen Output Delivered	2906 lm (@9° RGBW) (preliminary)	
	Projected Lumen Maintenance	L90B10 >90.000 hrs, Ta = 25°C / 77°F	
CONTROL	Interface Protocol	Via E-box range, DMX/RDM, wireless DMX, DALI 2 or ON/OFF	
	E-box control protocol	USITT DMX512+RDM, ArtNet, MA Net, MA Net2, sACN, Kling-Net	
	DALI 2 Device Type	DT 8	
	Wireless DMX (Option)	Lumen Radio CRMX Technology	
	Control System	Third Party DMX Controllers	
	Operating Modes	DMX, Stand-alone	
	Settings / Addressing	E-box, RDM communicator	
	Power Supply	Integrated	
PHYSICAL	Width x Height x Depth	264 x 278 x 106 mm (10.4 x 10.94 x 4.17 in.)	
	Weight	5.77 kg 12.72 lbs	
	Housing	High Pressure Die-Cast Aluminium Body Tempered Glass	
	Finish Options	Standard Colour - Graphite Black (RAL 9011), Silver (RAL 9006) Cost Option - Custom RAL Harsh Environment (RAL 9016, RAL 9011)	
	Cables / Connections	IN/OUT (for E-Box version): - 0,5 m cables with hybrid connectors - Jumper cables	IN (for DMX, DALI, ON/OFF): - 1 m cable with bare end - Other cable length - custom - Junction box - optional
	Mounting Method	Yoke	
	Adjustability	+180° / -180°	
	Protection Factor	IP67 (IP66 Junction Box) / Suitable For Wet Locations	
	IK Rating	IK10	
	Cooling System	Convection	
Operating Ambient Temperature	-20 °C / +40 °C (-4 °F / +104 °F)		
CERTIFICATION	Listings	ETL / cETL, CE, RoHS, UKCA	
ACCESSORIES		Optical Demo Set for Calumma M	
		Top Hat Calumma M	
		Half Top Hat Calumma M	
		Tenon Adaptor for Calumma M	
		Pole Mount Bracket for Calumma M	

PROJECTED AREA

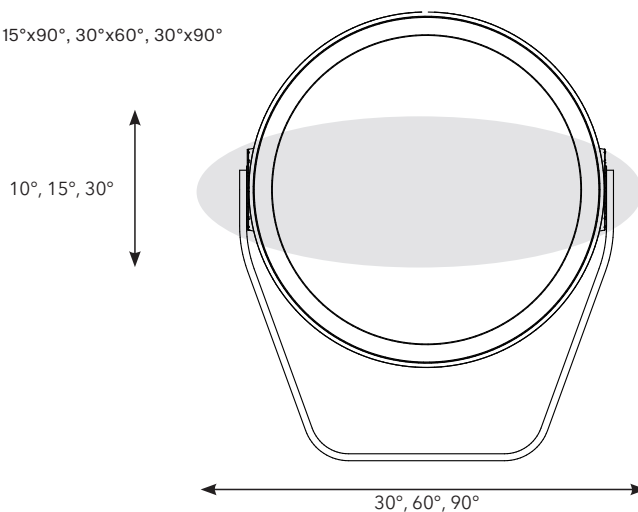
	Front (rear) - m ²	Front (rear) ft ²	Side - m ²	Side - ft ²	Top - m ²	Top - ft ²
Calumma M	0,047	0,500	0,026	0,280	0,024	0,258

DIMENSIONS

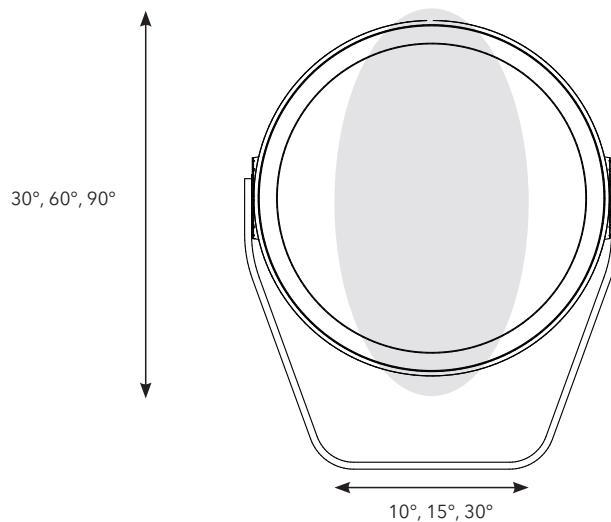


BI-SYMMETRICAL BEAM ANGLES

Bi-symmetrical: 10°x30°, 10°x60°, 15°x45°, 15°x90°, 30°x60°, 30°x90°



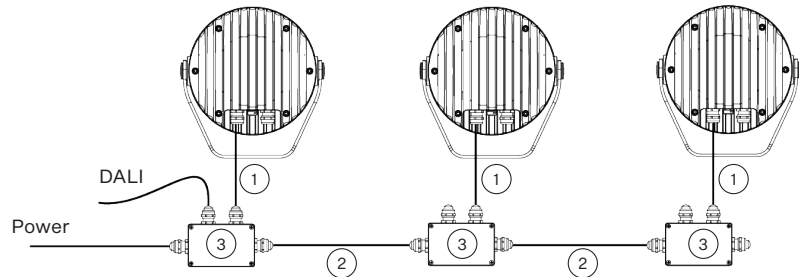
Bi-symmetrical: 30°x10°, 60°x10°, 45°x15°, 90°x15°, 60°x30°, 90°x30°



CONTROL AND CONNECTION OPTIONS - CE

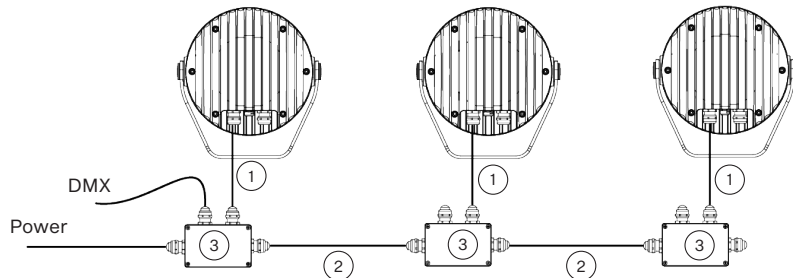
DALI

- 1) SJTW 5x 14AWG (13053336)
Standard 1 m with bare-end
- 2) SJTW 5x 14AWG (13053336)
or Scope of Others
- 3) Junction Box for Calumma



DMX

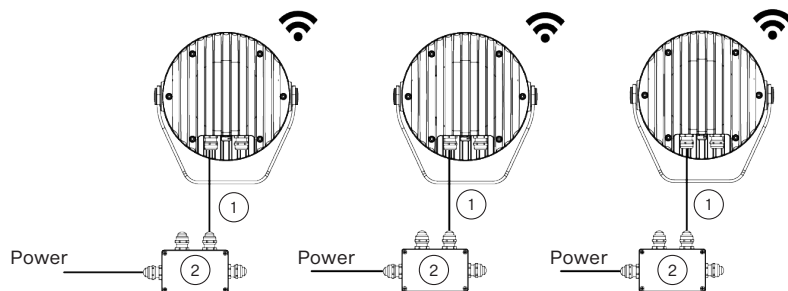
- 1) Flamar 3x AWG 16 + 1 x (2x AWG 24)
Standard 1 m with bare-end
(13051508)
- 2) Flamar 3x AWG 16 + 1 x (2x AWG 24)
(13051508)
or Scope of Others
- 3) Junction Box for Calumma



WIRELESS DMX

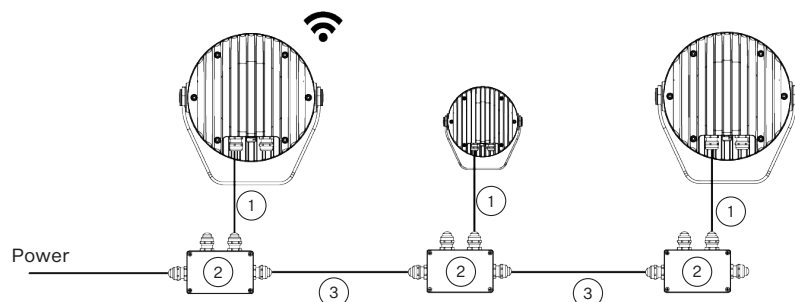
- 1) Flamar 3x AWG 16 + 1 x (2x AWG 24)
(13051508), Standard 1 m bare-end
- 2) Junction Box for Calumma

Note: This type of connection is available for M, L, XL versions.



- 1) Flamar 3x AWG 16 + 1 x (2x AWG 24)
(13051508), Standard 1 m bare-end
- 2) Junction Box for Calumma
- 3) Flamar 3x AWG 16 + 1 x (2x AWG 24)
(13051508)
or Scope of Others

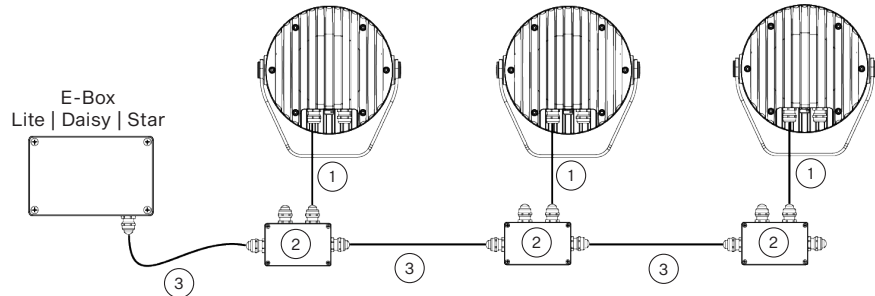
Note: This type of connection must have M, L or XL versions as the first luminaire. Next luminaires in a row could be chosen from S, M, L or XL versions.



CONTROL AND CONNECTION OPTIONS - CE

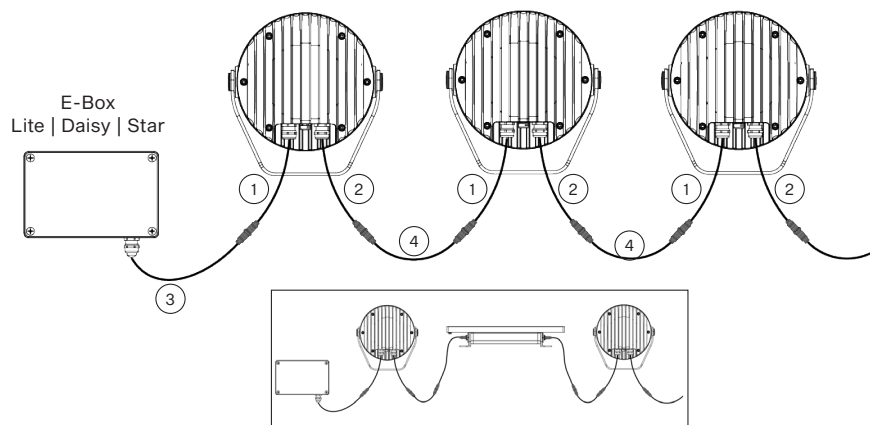
DMX or ETHERNET via E-BOX

- 1) Flamar 3x AWG 16 + 1x (2x AWG 24) (13051508), Standard 1 m with bare-end
- 2) Junction Box for Calumma
- 3) Flamar 3x AWG 16 + 1x (2x AWG 24) (13051508) or Scope of Others



Note: This type of connection is available for S, M, L, and XL versions. E-Box has to be in Pass Through mode only.

- 1) Leader Cable MM (13053493) Standard 0,5 m with hybrid connector
- 2) Leader Cable MF (13053494) Standard 0,5 m with hybrid connector
- 3) Leader Cable FF 2 m (13053438)
Leader Cable FF 5 m (13053440)
Leader Cable FF 10 m (13053436)
Leader Cable FF 25 m (13053437)
Leader Cable FF 50 m (13053439)

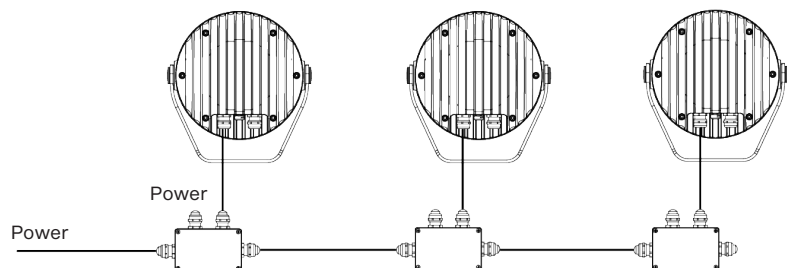


- 4) Jumper Cable FF/FM 0,25 m (13053422)
Jumper Cable FF/FM 0,5 m (13053423)
Jumper Cable FF/FM 1 m (13053425)
Jumper Cable FF/FM 2 m (13053427)
Jumper Cable FF/FM 3 m (13053428)
Jumper Cable FF/FM 5 m (13053430)
Jumper Cable FF/FM 10 m (13053424)

Note: With this type of connection is possible to connect Calumma (M, L, XL) and Eminere (Eminere, Eminere Side) luminaires in a row.

ON/OFF

Note: This type of connection is available for Pure White version only. Non dimmable.

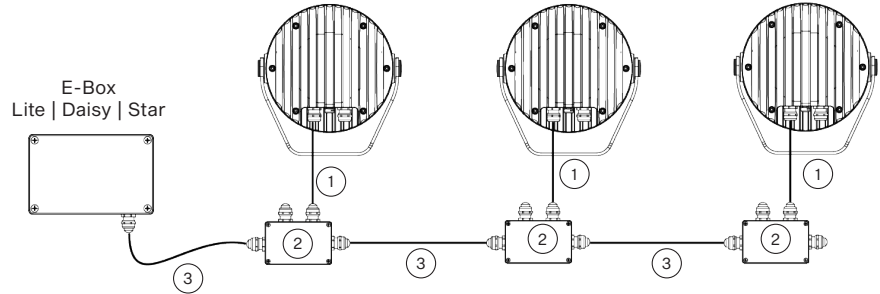


CONTROL AND CONNECTION OPTIONS - US

DMX or ETHERNET via E-BOX

- 1) SJTW 6x 14AWG (13053480)
Standard 1 m with bare-end
- 2) Junction Box for Calumma
- 3) SJTW 6x 14AWG (13053480)
or Scope of Others

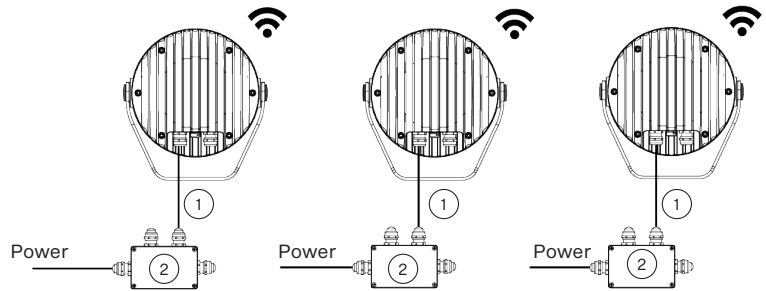
Note: This type of connection is available for S, M, L, and XL versions. E-Box has to be in Pass Through mode only.



WIRELESS DMX

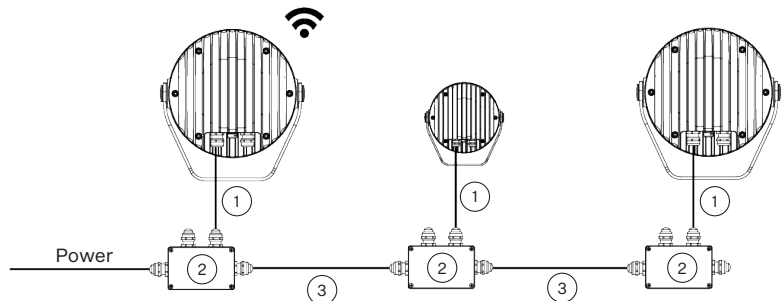
- 1) SJTW 6x 14AWG (13053480),
Standard 1 m with bare-end
- 2) Junction Box for Calumma

Note: This type of connection is available for M, L, XL versions



- 1) SJTW 6x 14AWG (13053480)
Standard 1 m with bare-end
- 2) Junction Box for Calumma
- 3) SJTW 6x 14AWG (13053480)
or Scope of Others

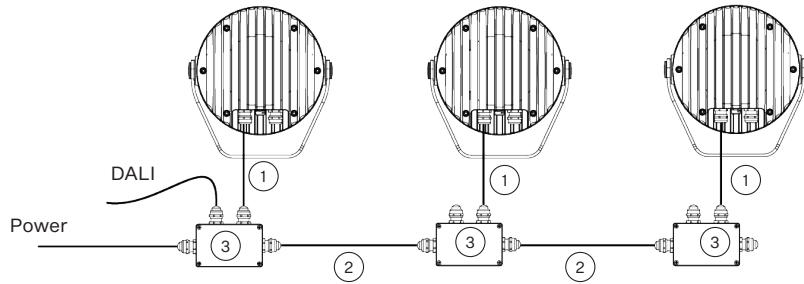
Note: This type of connection must have M, L or XL versions as the first luminaire. Next luminaires in a row could be chosen from S, M, L or XL versions.



CONTROL AND CONNECTION OPTIONS - US

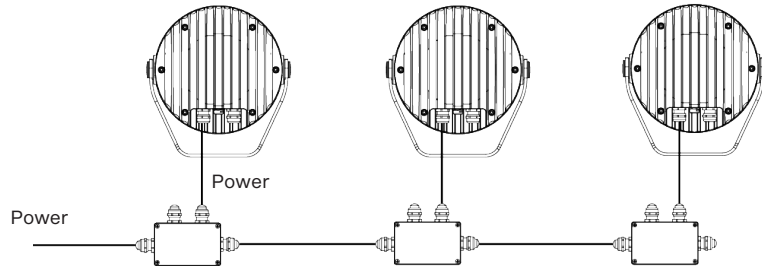
DALI

- 1) SJTW 5x 14AWG (13053336)
Standard 1 m with bare-end
- 2) SJTW 5x 14AWG (13053336)
or Scope of Others
- 3) Junction Box for Calumma



ON/OFF

Note: This type of connection is available for Pure White version only. Non dimmable.



CONNECTIVITY

Following table shows maximum connected Calummas M MC in a row with respect of cable length.

	Cable length (m)	Voltage (V)			
		120	190	230	277
CALUMMA L MC	10	28	44	54	65
	20	28	44	54	65
	30	20	44	54	65
	50	12	30	43	63
	70	8	21	31	45
	100	6	15	22	32
	200	3	7	11	16