

ARCSOURCE™ OUTDOOR 24MC INTEGRAL

The same high output of the ArcSource™ Outdoor 24MC but with an integral power supply - perfect for installations with physical access to the fixtures. Low energy consumption and long operational life is ensured by using the latest LED technology for optimum performance. Flush mounting the „Watch Glass“ reduces the buildup of dirt and debris on the fixture, with an IP67 rating ensuring high performance for years to come.



KEY FEATURES

Integrated power & control electronics, excellent output and a wide range of available optics. Wireless option.

Lumen Output & Light Source

Lumen output of 2,075 lm is provided by six high-power multichip LEDs.

Projected Lumen Maintenance

The projected lumen maintenance is 90,000 hours (L90B10).

Power Consumption

70W energy consumption provides excellent efficiency at low operating costs.

Physical (max WxHxD)

The durable cast aluminum body with a lens covered by tempered glass provides a stylish, compact lighting solution with IP67 certification. The fixture's physical dimensions are 216 x 261 x 200 mm (8.5 x 10.28 x 7.87 in) and it weighs 6.3 kg (13.89 lbs).

COLOURS

* UPON REQUEST



RGBW



RGBA



Pure White



Tuneable White *

COLOUR TEMPERATURE



3.000 K



6.500 K *



3.000 K

6.500 K *

CONTROL & PROTOCOLS



DMX RDM



OPTIONAL

OPTIC OPTIONS

SYMMETRICAL



7°



13°



20°



30°



40°



60°



90°

BI-SYMMETRICAL



7°x30°



7°x60°



10°x90°



35°x70°



30°x7°



60°x7°



90°x10°



70°x35°

STANDARD & SPECIFICATION



IP67



IK10



CE



ETL US



ROHS



UK CA



5 YEAR

Warranty with Registration

FINISH OPTIONS



Graphite Black



Silver

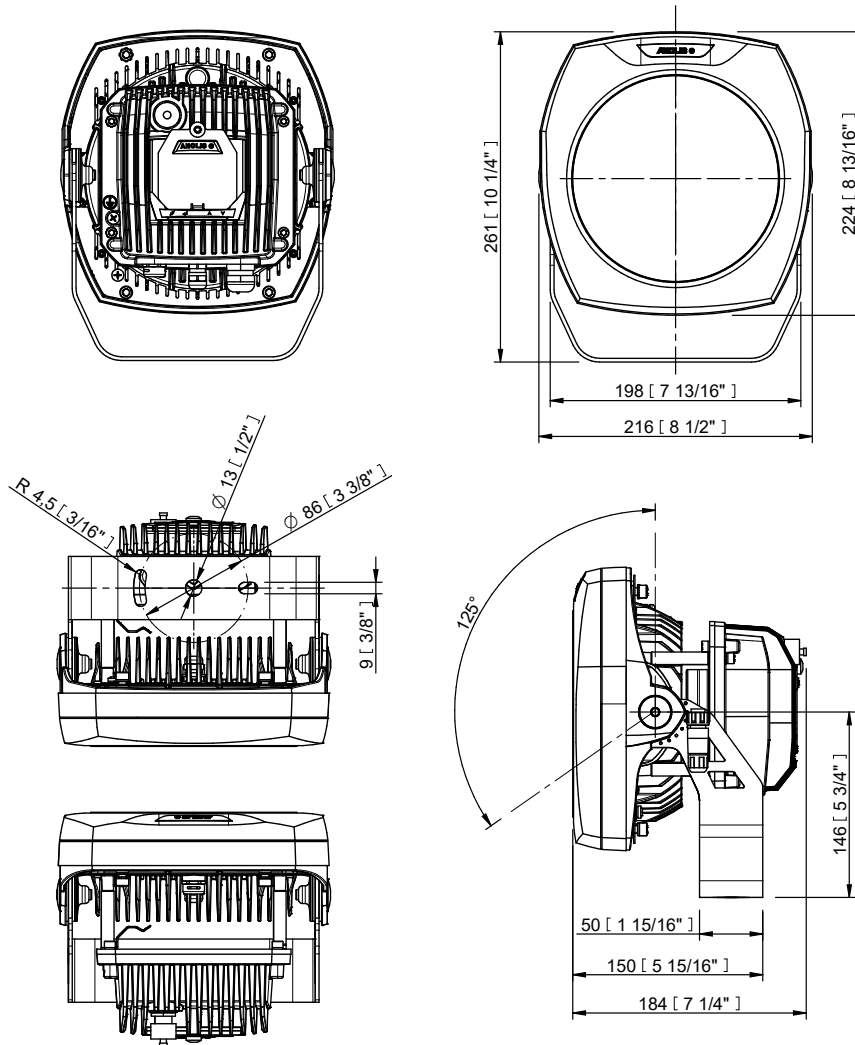


Custom Paint Colour

ARCSOURCE OUTDOOR 24MC INTEGRAL SPECIFICATION

ELECTRICAL	Input Voltage	100 - 240 V AC 50/60 Hz (CE)
		100 - 277 V AC 50/60 Hz (US)
	Typical Power Consumption	70 W +/-10 %
OPTICAL	Light Source	6 x High Power Multichip LEDs
	Colour Variants	RGBW (W - 6500 K) RGBA PW (W - 3000 K)
		Upon Request TW (3000 - 6500 K) PW (W - 6500K)
	Beam Angle	Symmetrical: 7° 13° 20° 30° 40° 60° 90°
		Bi-symmetrical: 7° x 30° 30° x 7° 7° x 60° 60° x 7° 35° x 70° 70° x 35° 10° x 90° 90° x 10°
	Lumen Output Delivered	2.075 lm (RGBW 7° W - 6500 K, all LEDs on full, 700 mA)
Projected Lumen Maintenance	L90B10 >90.000 hrs, Ta = 25°C / 77°F	
CONTROL	Display	Two Row LCD Display With Control Buttons
	Wireless DMX (Option)	Lumen Radio CRMX Technology
	Interface Protocol	USITT DMX512, RDM
	Control System	Third Party DMX Controllers
	Operating Modes	DMX, Stand-alone
	Programs / Functions / Features	Editable Program: 3 (up to 40 steps each)
	Settings / Addressing	Via Two Row LCD Display with Control Buttons or RDM communicator
	Power Supply	Integrated
PHYSICAL	Width x Height x Depth	216 x 261 x 200 mm 8.5 x 10.28 x 7.87 in.
	Weight	6.3 kg 13.89 lbs
	Housing	High Pressure Die-Cast Aluminium Body
		Tempered Glass
	Finish Options	Standard Colour - Graphite Black (RAL 9011) Silver (RAL 9006)
		Cost Option - Custom RAL
	Cables / Connections	Li9Y11Y 3 x AWG16+1(2 x AWG24), Junction Box
	Mounting Method	Yoke, Floor Stand (optional)
	Adjustability	+35° / -90°
	Protection Factor	IP67 (IP66 Junction Box) / Suitable For Wet Locations
	IK Rating	IK09
	Cooling System	Convection
	Operating Ambient Temperature	-20 °C / +40 °C (-4 °F / +104 °F)
	Operating Temperature	+80 °C @ Ambient +40 °C (+176 °F @ Ambient +104 °F)
Total Heat Dissipation	240 BTU/h (calculated)	
CERTIFICATION	Listings	ETL / cETL, CE, RoHS, UKCA
ACCESSORIES		Optical Demo Set for ArcSource Outdoor 24 MC Integral
		Top Hat ArcSource Outdoor 24 MC
		Half Top Hat ArcSource Outdoor 24 MC
		Floor Stand ArcSource Outdoor 24 MC
		Land Spike for ASO 24MC
		Tenon Adaptor for ASO 24MC (63 - 80 mm 80 - 106 mm)
		Pole Clamp for ASO 24MC (63 - 80 mm 80 - 105 mm)

DIMENSIONS



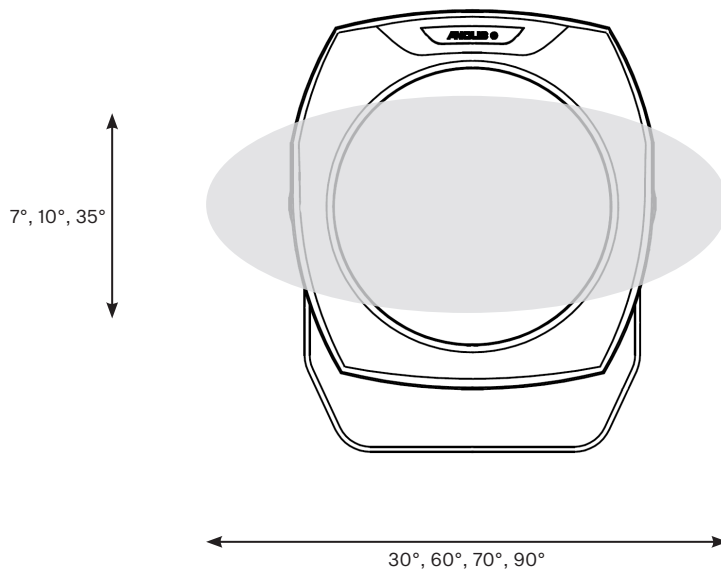
PHOTOMETRIC OVERVIEW

Lumen Output (lm)

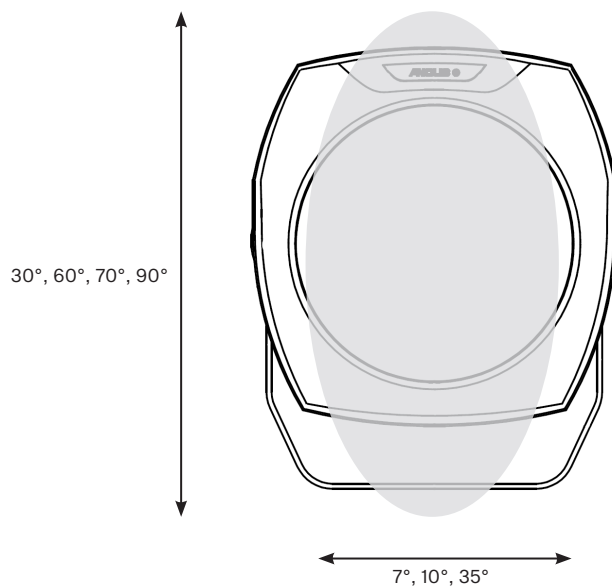
	RGBCW (W 6500 K)	RGBA	CW (6500 K)	WW (W 3000 K)
7°	2 075	1 831	2 920	2 075
13°	2 075	1 831	2 920	2 075
20°	2 050	1 809	2 885	2 050
30°	2 043	1 803	2 875	2 043
40°	2 037	1 797	2 867	2 037
60°	2 033	1 794	2 861	2 033
90°	1 979	1 746	2 785	1 979
7° x 30°, 30° x 7°	1 995	1 761	2 808	1 995
7° x 60°, 60° x 7°	1 965	1 734	2 766	1 965
35° x 70°, 70° x 35°	1 988	1 755	2 798	1 988
10° x 90°, 90° x 10°	1 852	1 635	2 607	1 852

BI-SYMMETRICAL BEAM ANGLES

Bi-symmetrical: 7°x30°, 7°x60°, 35°x70°, 10°x90°

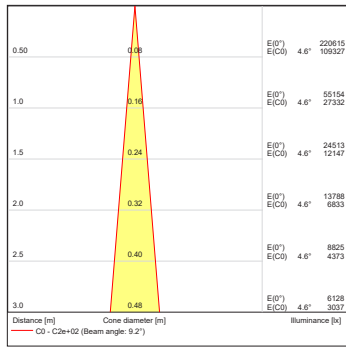
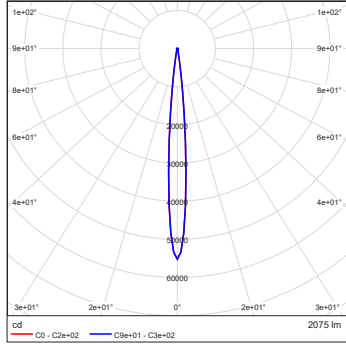


Bi-symmetrical: 30°x7°, 60°x7°, 70°x35°, 90°x10°

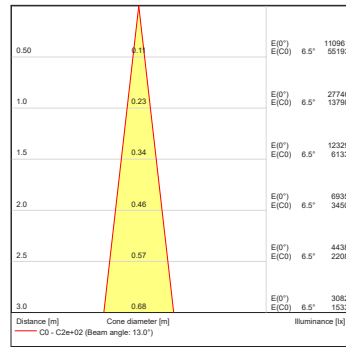
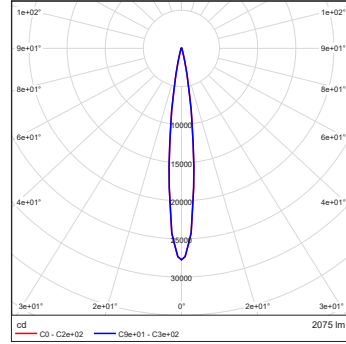


PHOTOMETRIC DATA

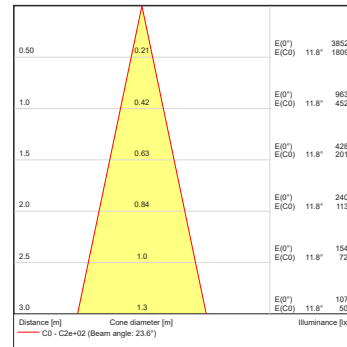
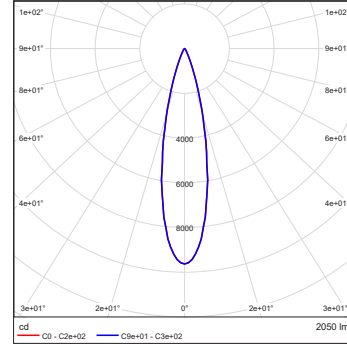
ArcSource Outdoor 24MC Integral
RGBCW 7dg



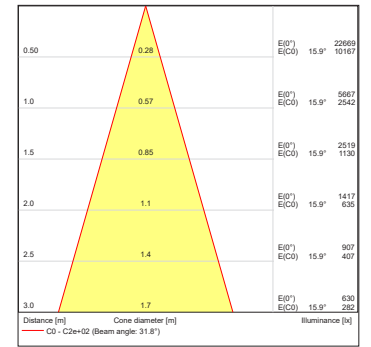
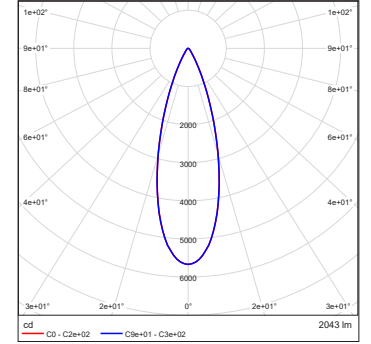
ArcSource Outdoor 24MC Integral
RGBCW 13dg



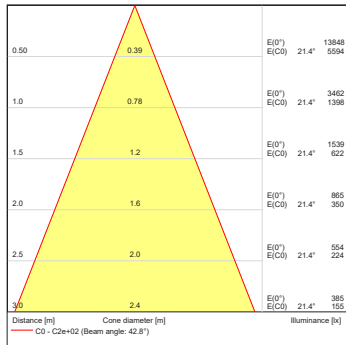
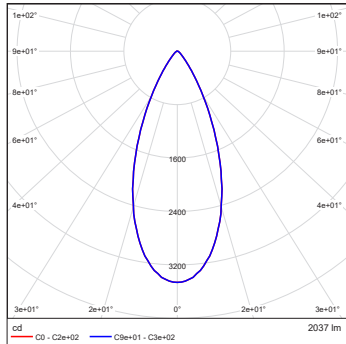
ArcSource Outdoor 24MC Integral
RGBCW 20dg



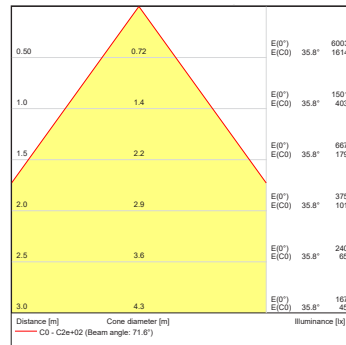
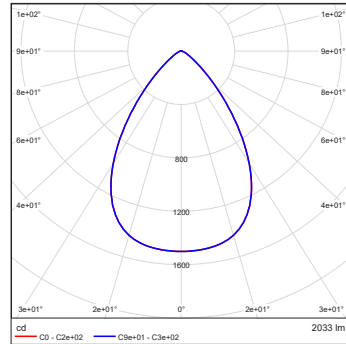
ArcSource Outdoor 24MC Integral
RGBCW 30dg



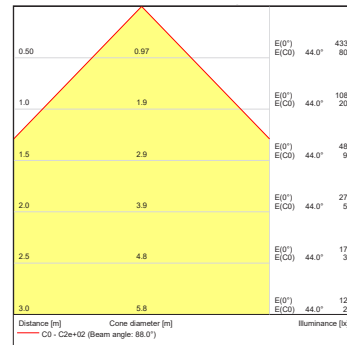
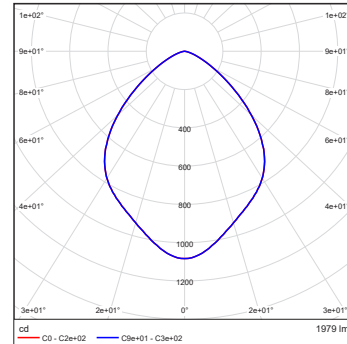
ArcSource Outdoor 24MC Integral
RGBCW 40dg



ArcSource Outdoor 24MC Integral
RGBCW 60dg

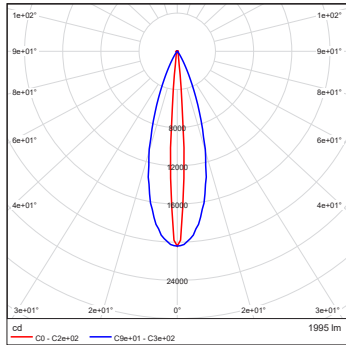


ArcSource Outdoor 24MC Integral
RGBCW 90dg

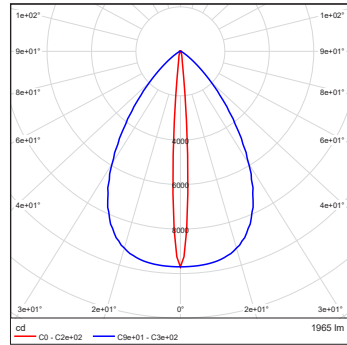


PHOTOMETRIC DATA

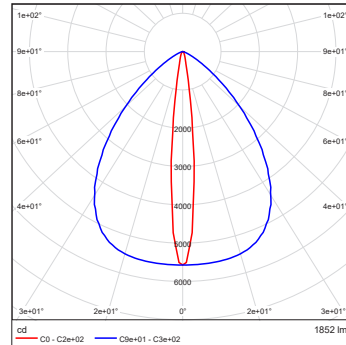
ArcSource Outdoor 24MC Integral
RGBCW 7dg x 30dg



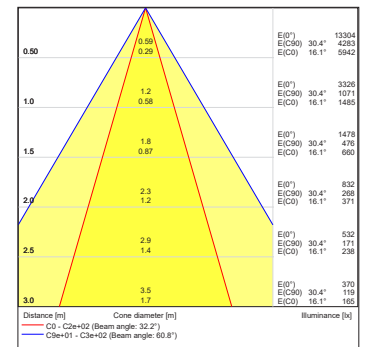
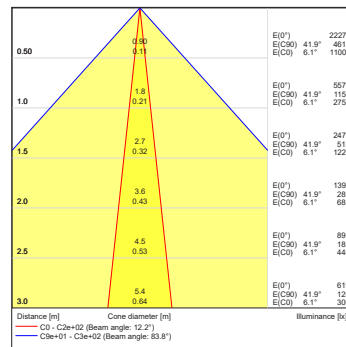
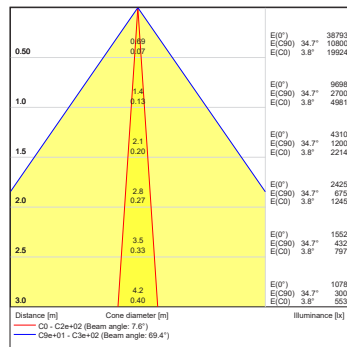
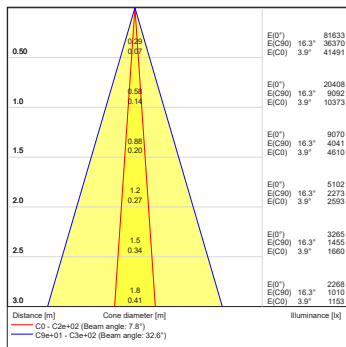
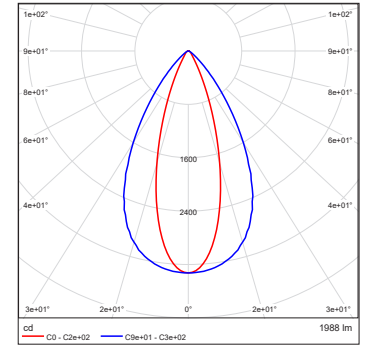
ArcSource Outdoor 24MC Integral
RGBCW 7dg x 60dg



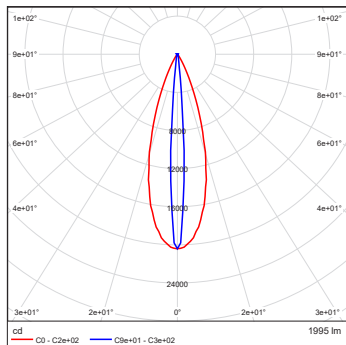
ArcSource Outdoor 24MC Integral
RGBCW 10dg x 90dg



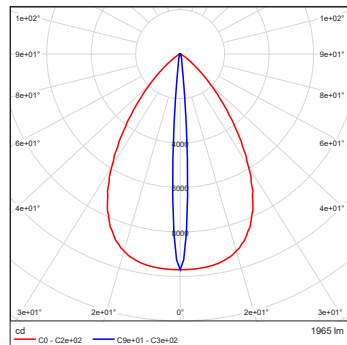
ArcSource Outdoor 24MC Integral
RGBCW 35dg x 70dg



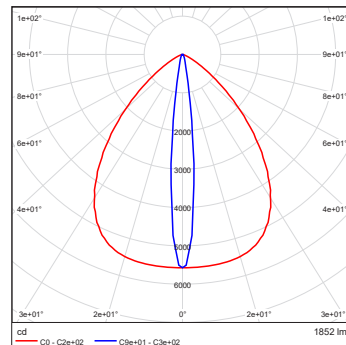
ArcSource Outdoor 24MC Integral
RGBCW 30dg x 7dg



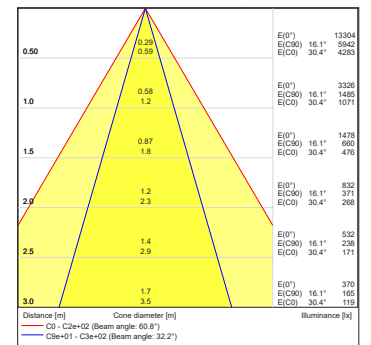
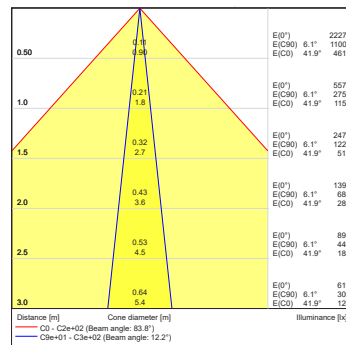
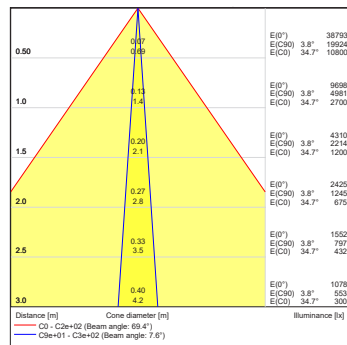
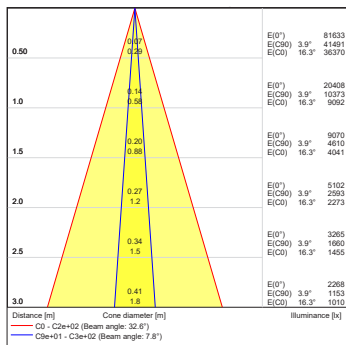
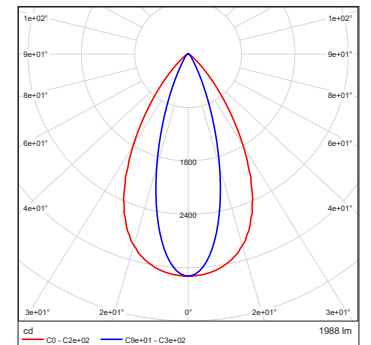
ArcSource Outdoor 24MC Integral
RGBCW 60dg x 7dg



ArcSource Outdoor 24MC Integral
RGBCW 90dg x 10dg

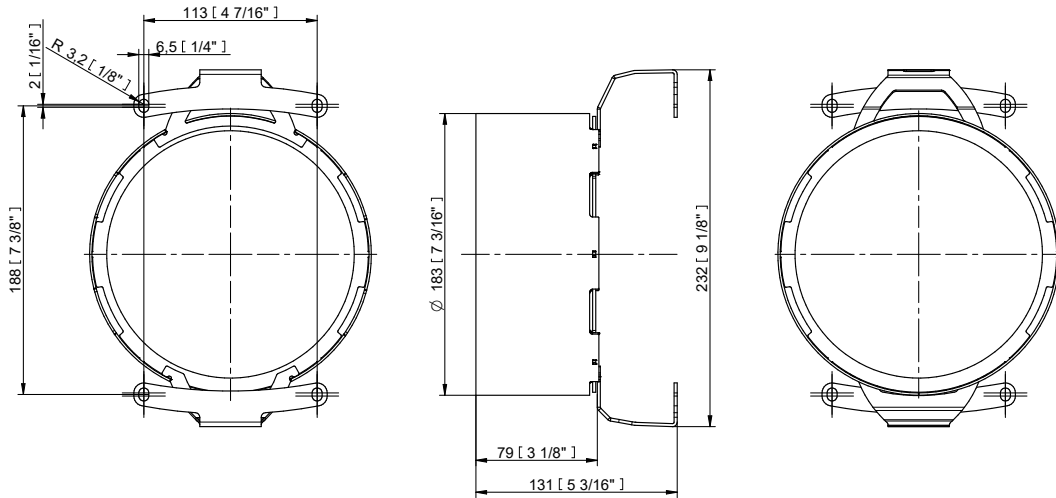


ArcSource Outdoor 24MC Integral
RGBCW 70dg x 35dg

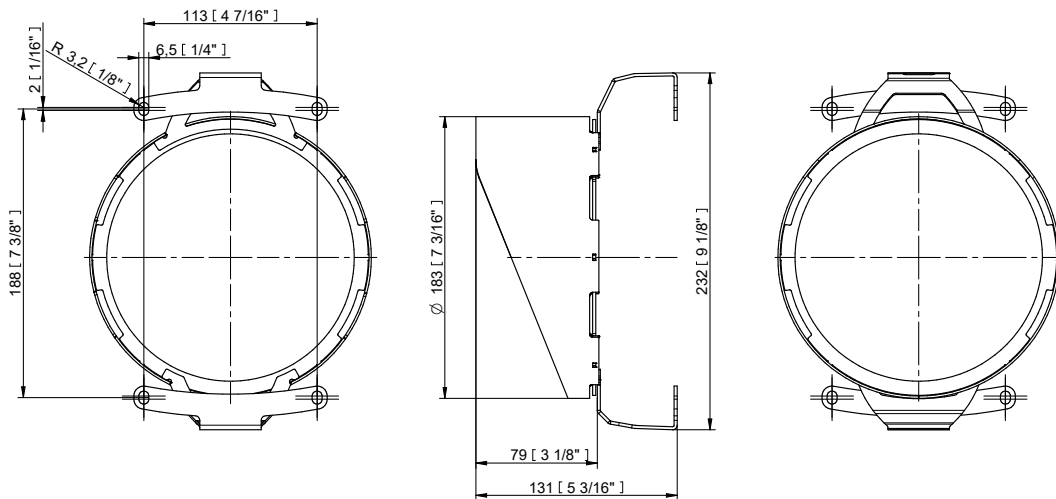


ACCESSORIES FOR ARCSOURCE OUTDOOR 24MC INTEGRAL

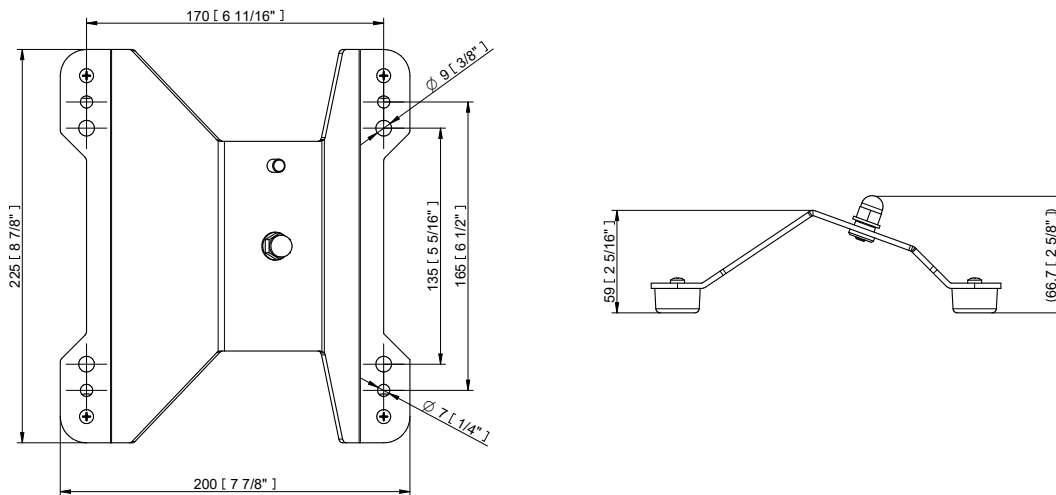
Top Hat



Half Top Hat



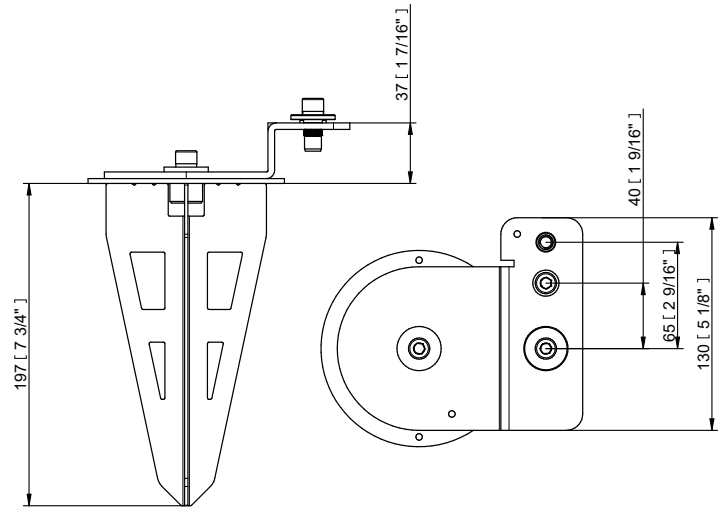
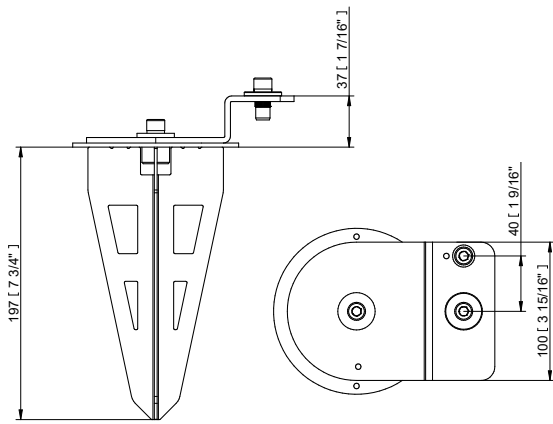
Floor Stand



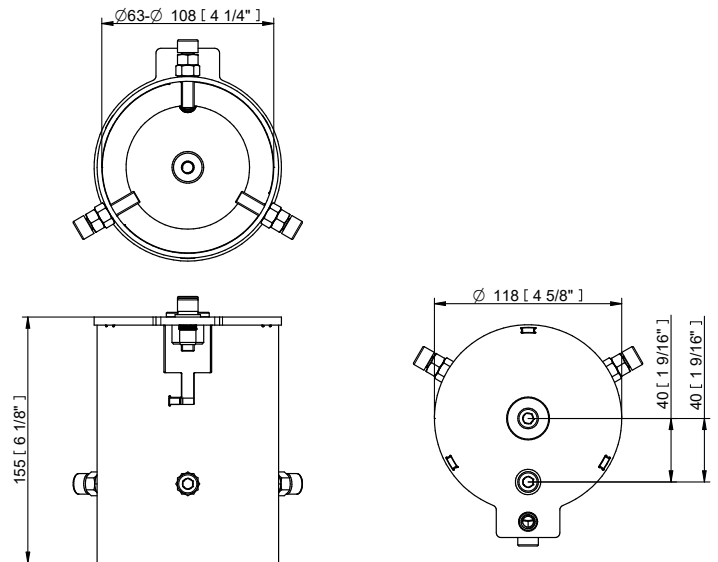
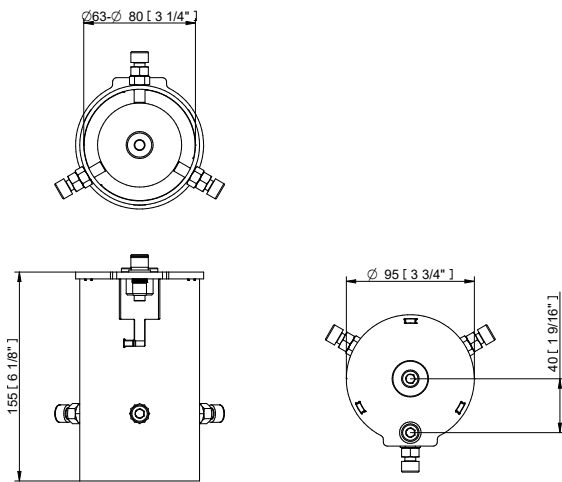
SPECIFICATION SHEET

ARCSOURCE OUTDOOR 24MC INTEGRAL

Land Spike 100 mm / 130 mm



Tenon Adaptor $\varnothing 63 - 80 \text{ mm} / \varnothing 80 - 106 \text{ mm}$



Pole Clamp $\varnothing 63 - 80 \text{ mm} / \varnothing 80 - 105 \text{ mm}$

