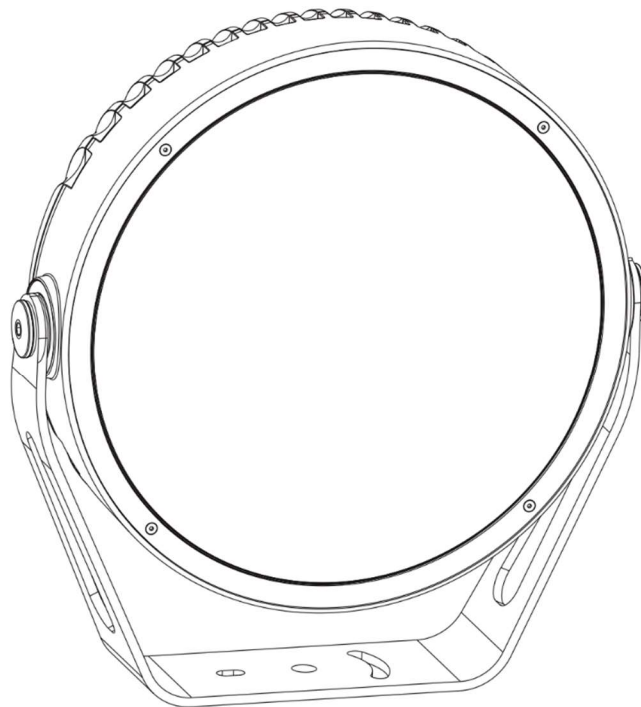


Calumma L MC Calumma L SC



QR code for user manual



Table of contents

1. Safety instructions	3
2. Fixture exterior view	4
3. Installation	5
3.1 Mounting the fixture	5
3.2 Connection to mains	5
3.3 Top hat installation	7
3.4 Half top hat installation	8
4. Control and connection options	9
4.1 DMX or DALI	9
4.2 Wireless DMX	10
4.3 Wireless DMX to wire DMX	11
4.4 Power On/Off	11
4.5 DMX or Ethernet via E-box	12
4.5.1 Booster box	18
4.5.2 Booster box installation	20
5. Software update	22
6. Technical specifications	25
7. Cleaning and maintenance	31
7.1 Disposing of the product	31
8. ChangeLog	31

**FOR YOUR OWN SAFETY, PLEASE READ THIS USER MANUAL CAREFULLY
BEFORE POWERING OR INSTALLING YOUR CALUMMA!
Save it for future reference.**

This device has left our premises in absolutely perfect condition. In order to maintain this condition and to ensure safe operation, it is absolutely necessary for the user to follow the safety instructions and warnings written in this manual.

The manufacturer will not accept liability for any resulting damages caused by the non-observance of this manual or any unauthorized modification to the device.

Unauthorized modification will void warranty.

1. Safety instructions

DANGEROUS VOLTAGE CONSTITUTING A RISK OF ELECTRIC SHOCK IS PRESENT WITHIN THIS UNIT!

This fixture should be operated only from the type of power source indicated on the marking label. If you are not sure of the type of power supplied, consult your authorized distributor or local power company.

Always disconnect the fixture from AC power before servicing or cleaning.

Make sure the power/data cable is not damaged by sharp edges.

Do not install the unit near an open flame.

Refer servicing to qualified service personnel.

This fixture falls under protection class I. Therefore this fixture has to be connected to a mains socket outlet with a protective earthing connection.

Do not connect this fixture to a dimmer pack.

LED light emission. Risk of eye injury. Do not look into the beam from a short distance without suitable protective eyewear. Do not look at LEDs with magnifiers or similar optical instruments that may concentrate the light output.

The fixture was designed for outdoor use. This fixture must not be used for underwater installation.

When choosing the installation spot, please make sure that the fixture is not exposed to extreme heat or dust.

Avoid using the unit in locations subject to possible impacts.

The fixture body never must be covered with cloth or other materials when the fixture is under operation.

Only operate the fixture after having checked that the housing is firmly closed and all screws are tightly fastened.

The fixture becomes hot during operation. Allow the fixture to cool approximately 30 minutes prior to servicing or maintenance.

Calumma L

Operate the fixture only after having familiarized yourself with its functions. Do not permit operation by persons not qualified to operate the fixture. Most damages are the result of unprofessional operation!

Immunity of the equipment is designed for electromagnetic environments E1, E2, E3 according to the standard EN55103-2 ed.2 Electromagnetic compatibility. Product family standard for audio, video, audiovisual and entertainment lighting control apparatus for professional use. Part 2: Immunity.

The product (covers and cables) must not be exposed to a high frequency electromagnetic field higher than 3V/m.

The installation company should check levels of possible interferences above the tested levels E1,E2,E3 given by this standard (e.g. transmitters in surrounding area) before installing the equipment.

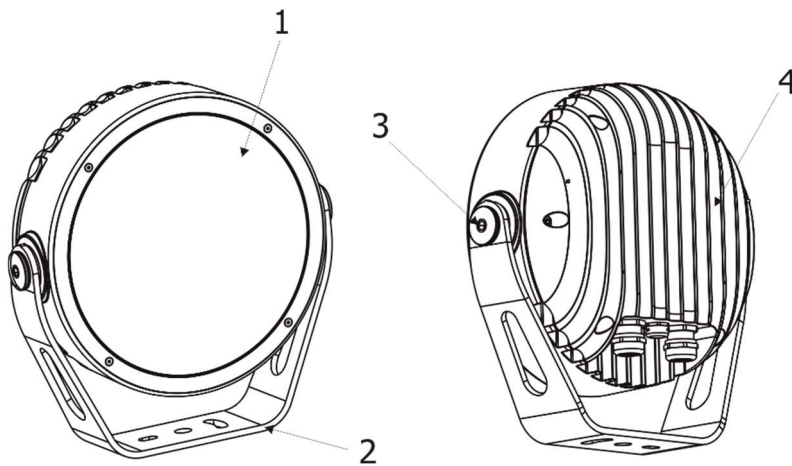
Emission of the equipment complies with the standard EN55032 Electromagnetic compatibility of multimedia equipment – Emission Requirements according to class B.

Please consider that unauthorized modifications on the fixture are forbidden due to safety reasons!

Please use the original packaging if the fixture is to be transported.

If this device will be operated in any way different to the one described in this manual, the product may suffer damages and the warranty becomes void. Furthermore, any other operation may lead to dangers like short-circuit, burns, electric shock etc.

2. Fixture exterior view

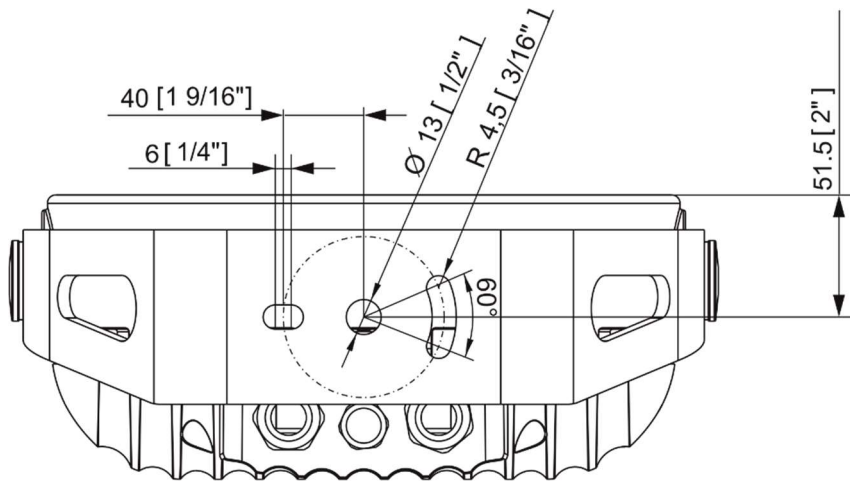


1. Transparent glass cover
2. Mounting yoke
3. Tilt adjusting lock
4. LED module with heat sink

3. Installation

3.1 Mounting the fixture

The Calumma can be fastened in any orientation on a flat, non-flammable surface by means of mounting yoke (2).



The LED module (4) can be tilted +180°/-180°. Use an Allen key 2.5 for adjusting a LED module position.

Ensure that the structure to which you are attaching the fixture is secure.

3.2 Connection to mains

***The unit must be installed by a qualified electrician in accordance with all national and local electrical and construction codes and regulations.
This device falls under class one and must be grounded!***

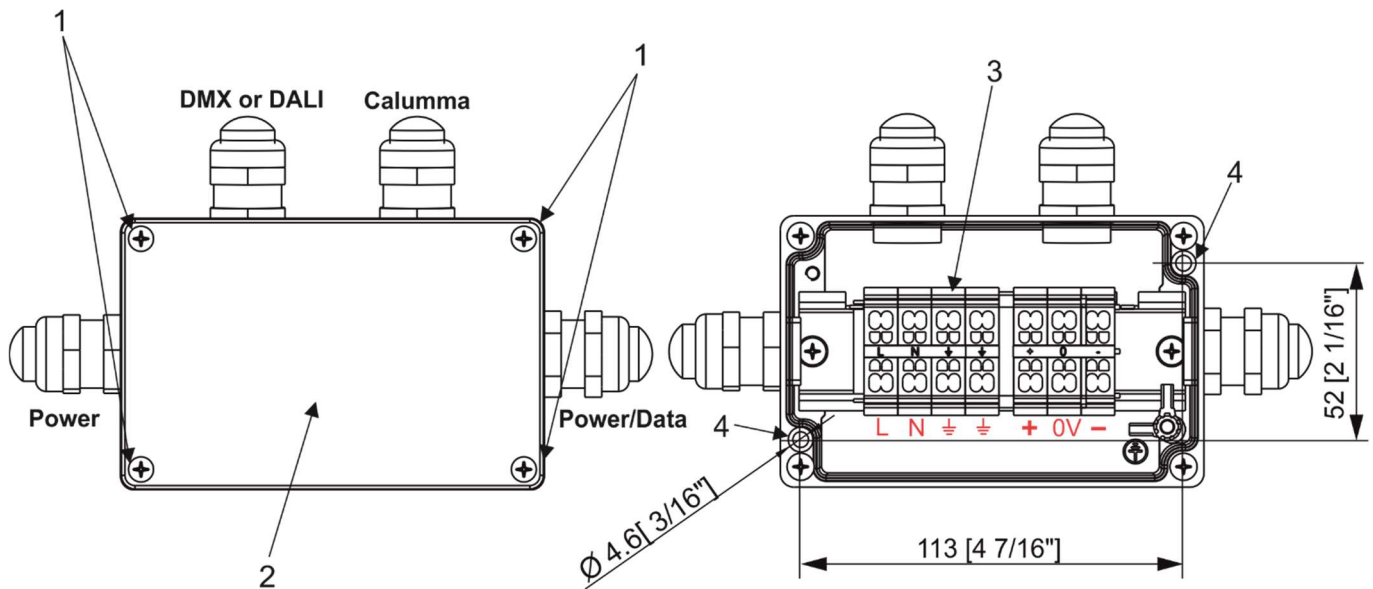
The Calumma is equipped with auto-switching power supply that automatically adjusts to any 50/60Hz AC power source from 120-277 Volts.

3.2.1 Junction box installation

The junction box box falls under protection class I . Therefore, every junction box has to be connected to a mains socket outlet with a protective earthing connection.

1. Unscrew the four screws (1) from the cover (2) on the junction box to get access to the terminal block (3) and two mounting holes of diameter of 4.6 mm (4).
2. Screw the junction box on a non-flammable flat surface.

Calumma L

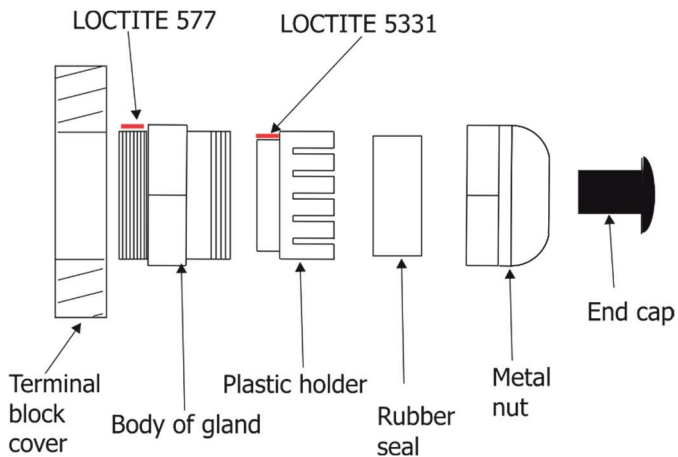


3. Connect cables.

The cable gland M20 x 1.5 with a standard seal serves for a cable of diameter of 7-13mm, for smaller diameter of cable (4-8mm) you have to remove the original seal from the cable gland M20x1.5 and use the enclosed reducing seal instead of it. The reducing seal for diameter of cable 4-8mm (P/N 13051388) is enclosed in the Junction box. Remove the end cap from the cable gland before passing the cable.

We recommend to apply an adequate layer of the paste LOCTITE 5331 on the plastic holder of the cable gland before inserting it into the body of the gland and an adequate layer of the paste LOCTITE 577 on the thread of the gland body.

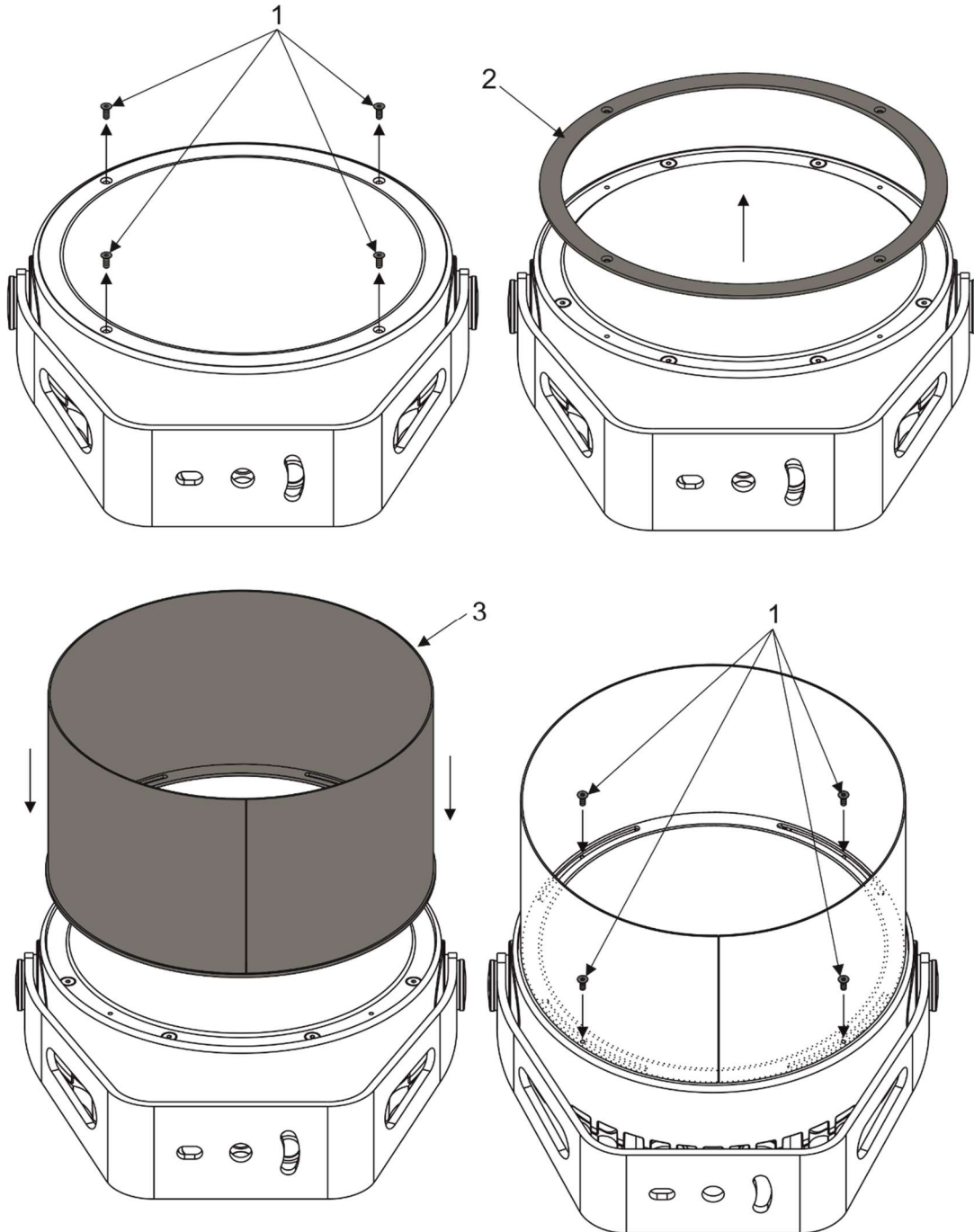
Cable gland M20x1.5:



4. Screw the cover (2) back on the junction box.

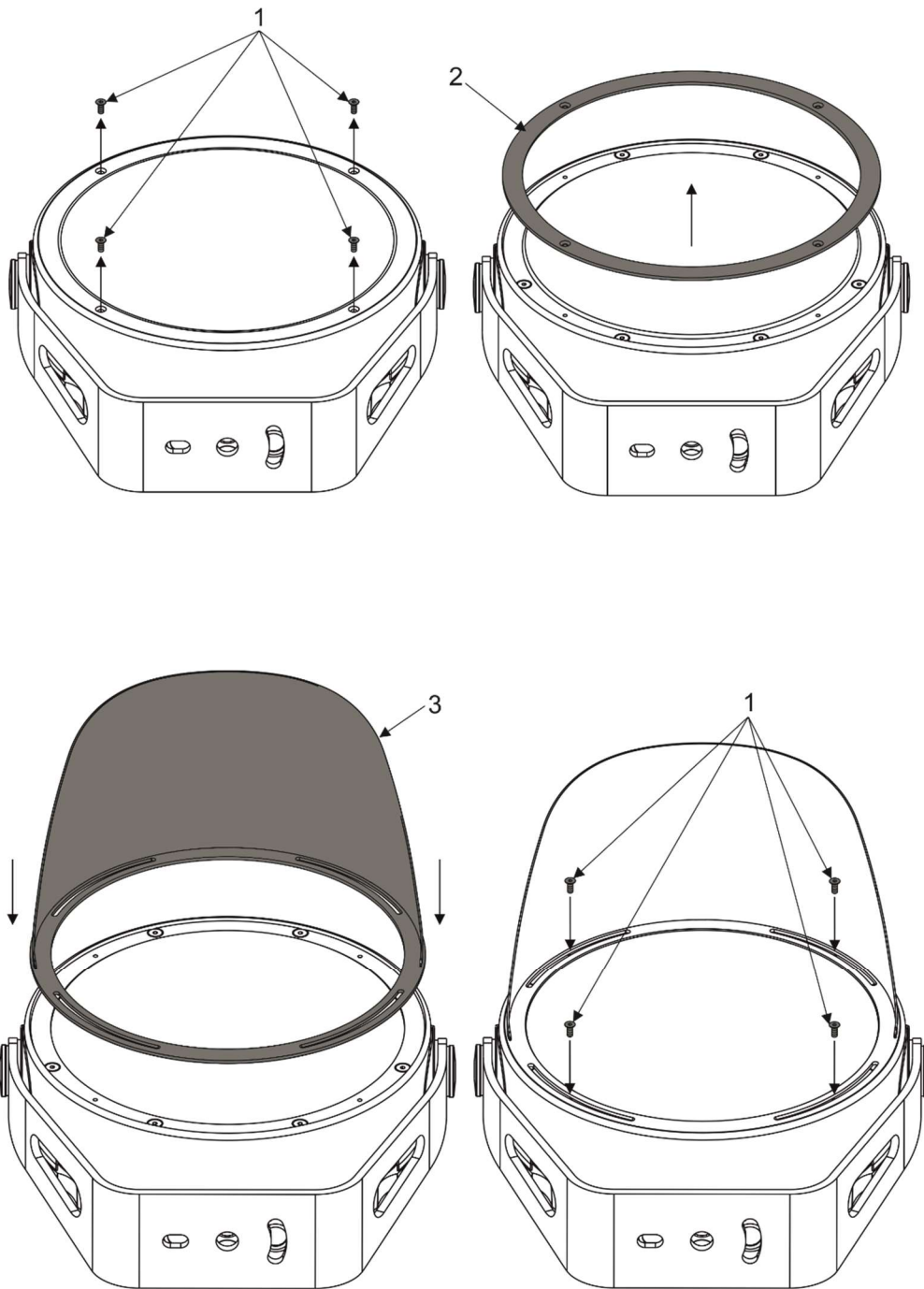
3.3 Top hat installation

1. Unscrew the four flat-head screws M3x8 (1) from the front of the Calumma and remove the flange (2).
2. Place the top hat (3) on the Calumma and screw it by means of the four flat-head screws M3x8 (1).



3.4 Half top hat installation

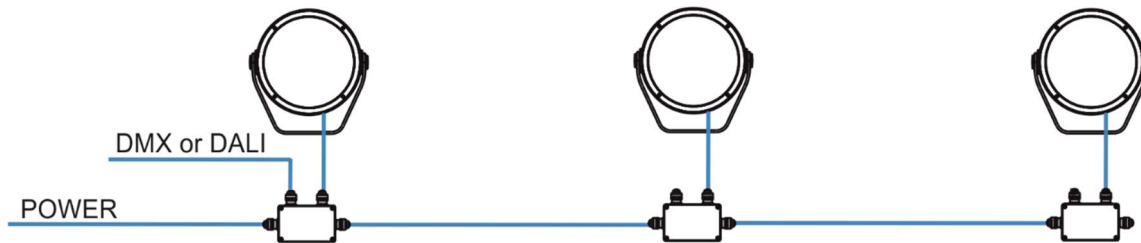
1. Unscrew the four flat-head screws M3x8 (1) from the front of the Calumma and remove the flange (2).
2. Place the half top hat (3) on the Calumma and screw it by means of the four flat-head screws M3x8 (1).



4. Control and connection options

4.1 DMX or DALI

Example



DMX connection (CE)

IF the 5-cored cable Flamar 3x AWG 16 + 1x (2x AWG 24), (P/N 1305 1508) is used for Calumma connection and connection among junction boxes:

Core	Connection	Core	Connection
Black	Live (L)	Red	Data + (+)
Blue	Neutral (N)	White	Data – (-)
Yellow/Green	GND ⊕	Shielding	Data ground (0V)

Up to 32 Calummas can be connected in DMX chain.

DALI connection

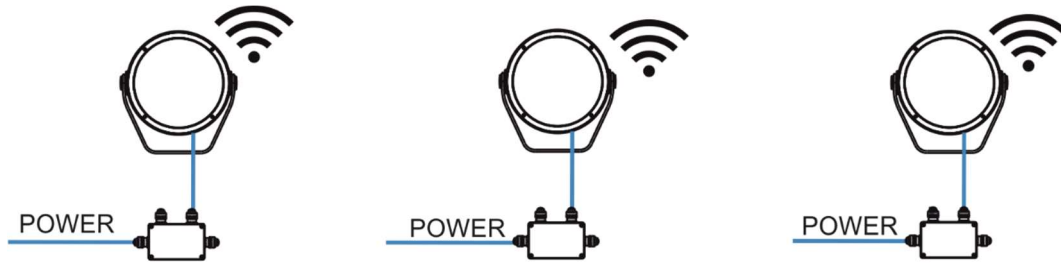
IF the 5-cored cable SJTW 5x 14AWG (P/N 1305 3336) is used for Calumma connection and connection among junction boxes:

Core	Connection	Core	Connection
Black	Live (L)	Red	Data
White	Neutral (N)	Orange	Data
Yellow/Green	GND ⊕		

Up to 64 Calummas can be connected in DALI network.

4.2 Wireless DMX

Example



Note: This type of connection is available for M, L, XL versions.

DMX connection (CE)

IF the 5-cored cable Flamar 3x AWG 16 + 1x (2x AWG 24), (P/N 1305 1508) is used for Calumma connection:

Core	Connection	Core	Connection
Black	Live (L)	Red	Data + (+)
Blue	Neutral (N)	White	Data – (-)
Yellow/Green	GND ⊕	Shielding	Data ground (0V)

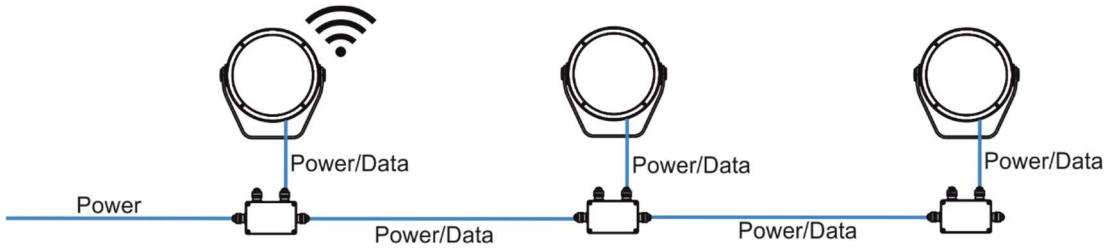
DMX connection (US)

IF the 6-cored cable SJTW 6x 14AWG, (P/N 1305 3480) is used for Calumma connection:

Core	Connection	Core	Connection
Black	Live (L)	Red	Data + (+)
White	Neutral (N)	Orange	Data – (-)
Yellow/Green	GND ⊕	Blue	Data ground (0V)

4.3 Wireless DMX to wire DMX

Example



Note: This type of connection must have M, L or XL versions as the first luminaire. Next luminaires in a row could be chosen from S, M, L or XL versions.

DMX connection (CE)

IF the 5-cored cable Flamar 3x AWG 16 + 1x (2x AWG 24), (P/N 1305 1508) is used for Calumma connection and connection among junction boxes:

Core	Connection	Core	Connection
Black	Live (L)	Red	Data + (+)
Blue	Neutral (N)	White	Data – (-)
Yellow/Green	GND ⊕	Shielding	Data ground (0V)

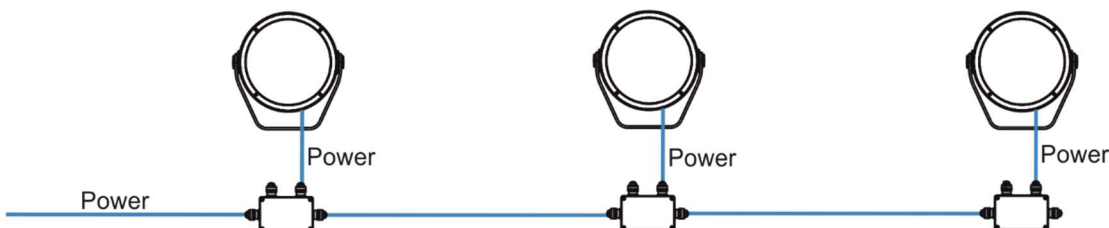
Up to 32 Calummas can be connected in DMX chain.

DMX connection (US)

IF the 6-cored cable SJTW 6x 14AWG, (P/N 1305 3480) is used for Calumma connection and connection among junction boxes:

Core	Connection	Core	Connection
Black	Live (L)	Red	Data + (+)
White	Neutral (N)	Orange	Data – (-)
Yellow/Green	GND ⊕	Blue	Data ground (0V)

4.4 Power On/Off



Note: This type of connection is available for Pure White version only. Non dimmable.

4.5 DMX or Ethernet via E-box

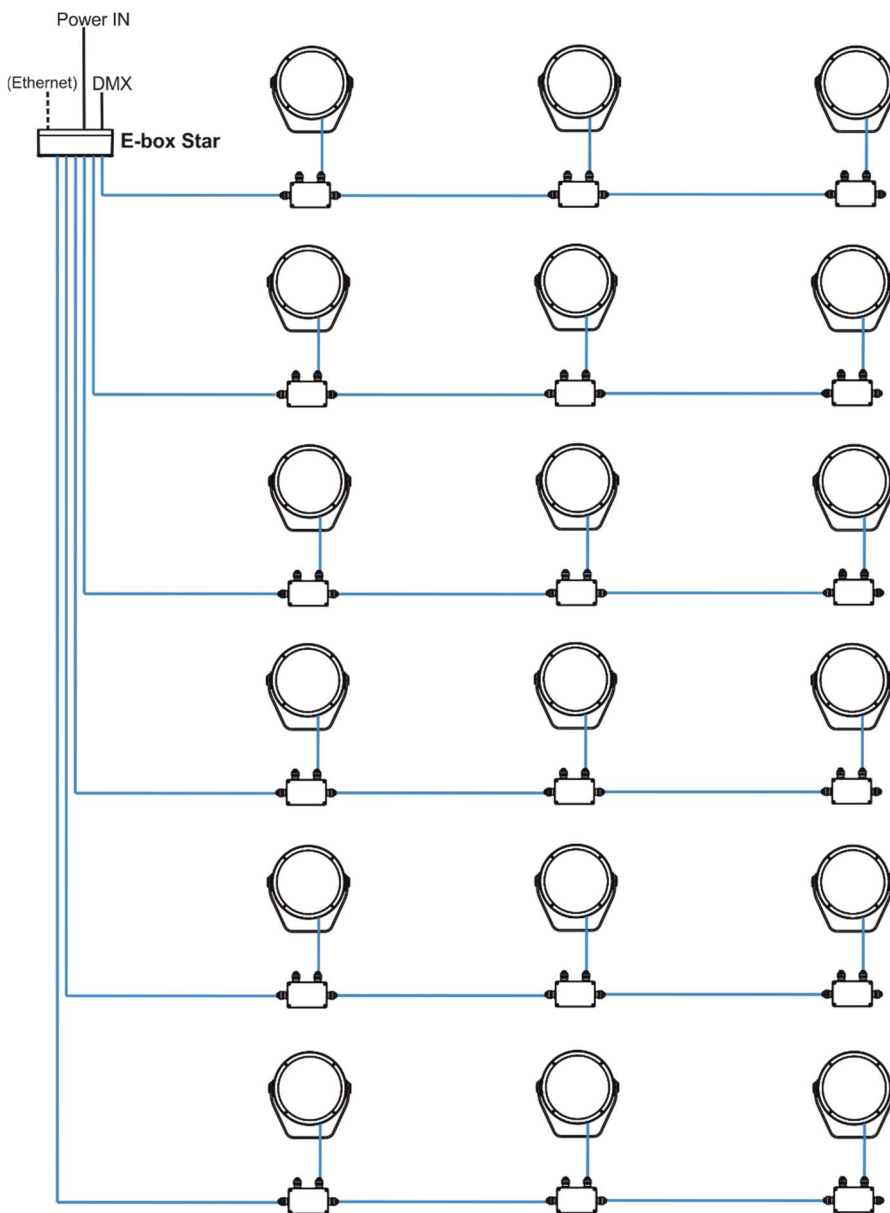
The E-box menu allows you to switch connected Calummas to the two modes:

Standard - LED modules are switched to an internal serial connection. DMX addressing of connected LED modules is made automatically (default DMX address = 1, changes can be done by the E-box menu or by RDM).

Pass-Thr - (Pass through). LED modules are switched to an internal parallel connection. DMX addressing of connected LED modules has to be done manually by means of the Robe Universal Interface (or its wireless version Robe Universal Interface WTX) and the software RDM Manager.

Example with junction boxes

Pass Through mode is intended for this connection. Max. 32 fixtures can be connected to one LED output of the E-Box (Star, Daisy, Lite) in this mode.



Calumma L

CE version

IF the 5-cored cable Flamar 3x AWG 16 + 1x (2x AWG 24), (P/N 1305 1508) is used for Calumma connection and connection among junction boxes:

Core	Connection	Core	Connection
Black	Live (L)	Red	Data + (+)
Blue	Neutral (N)	White	Data – (-)
Yellow/Green	GND ⊕	Shielding	Data ground (0V)

US version

IF the 6-cored cable SJTW 6x 14AWG, (P/N 1305 3480) is used for Calumma connection and connection among junction boxes:

Core	Connection	Core	Connection
Black	Live (L)	Red	Data + (+)
White	Neutral (N)	Orange	Data – (-)
Yellow/Green	GND ⊕	Blue	Data ground (0V)

Number of connected Calummas to one E-box output depends on a cable length, power voltage, type of Calumma and E-box operation mode.

The tables below state max. theoretical number of Calummas connected to the one LED output of the E-box.

The tables apply for the **Pass-Through mode of E-boxes**.

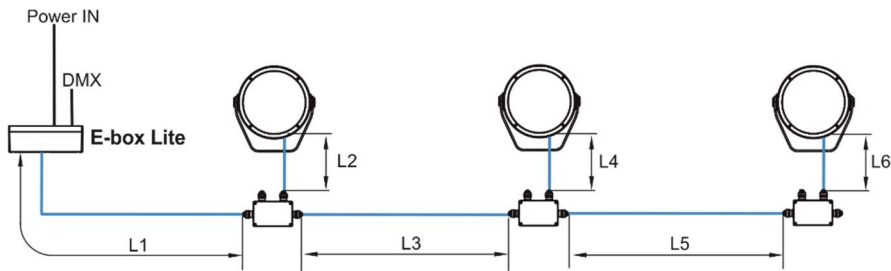
Calumma L MC	Voltage			
	120V	190V	230V	277V
Cable length *				
10 m	17	26	32	32
20 m	17	26	32	32
30 m	12	26	32	32
50 m	7	18	26	32
70 m	5	13	18	27
100 m	3	9	13	19
200 m	3	4	6	9
500 m	1	2	3	4

Calumma L SC	Voltage			
	120V	190V	230V	277V
Cable length *				
10 m	14	22	27	32
20 m	14	22	27	32

Calumma L

30 m	10	22	27	32
50 m	6	15	22	32
70 m	4	11	16	23
100 m	3	7	11	16
200 m	1	4	5	8
500 m	1	1	2	3

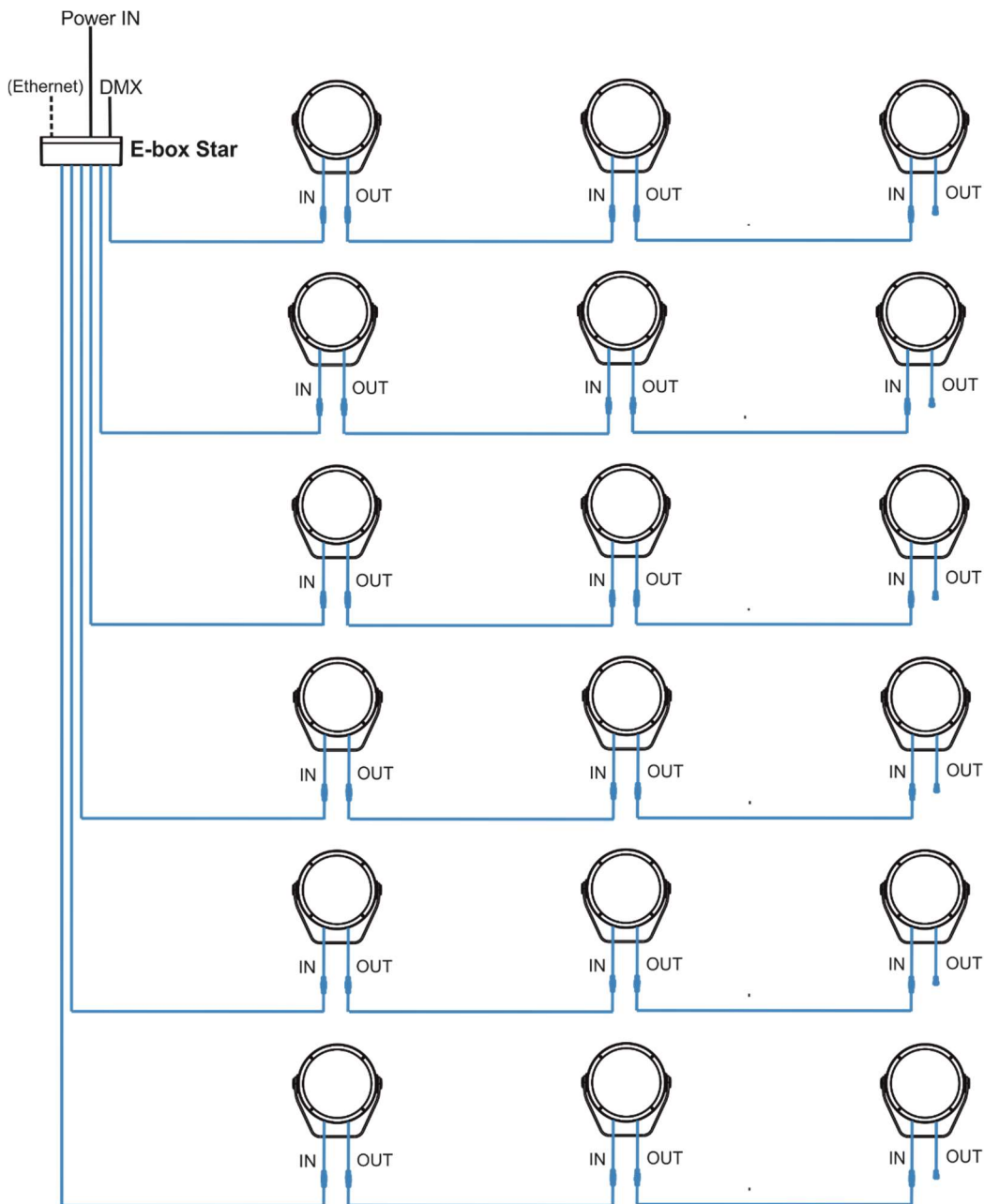
* Cable length is a total cable length between power supply (e.g. E-box) and last connected Calumma.
 Example: Total cable length=L1+L2+L3+L4+L5+L6



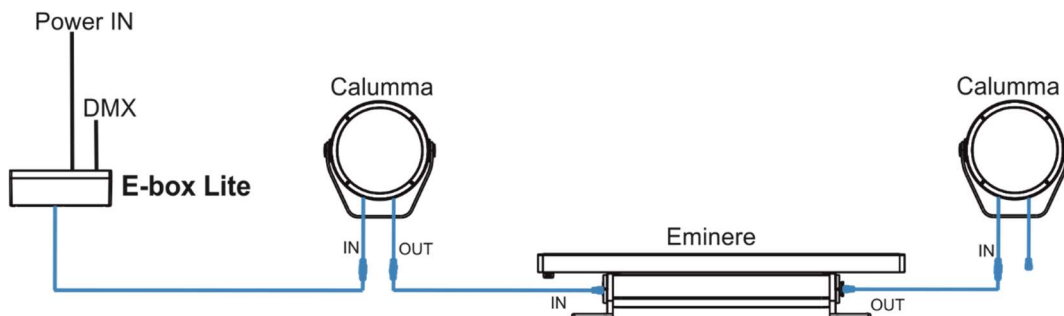
Calumma L

Example with IN/OUT cables

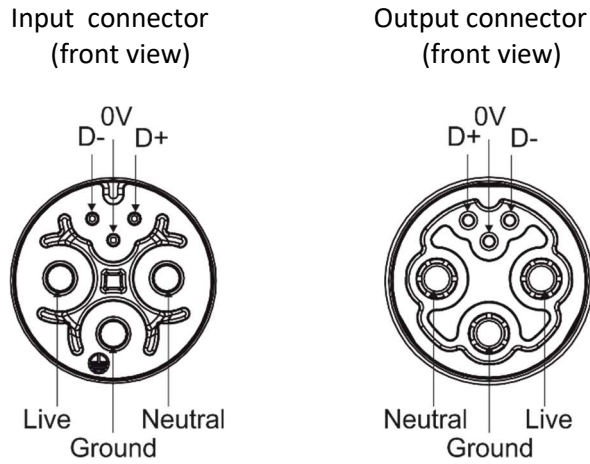
Standard mode is intended for this connection.



Note. Combination of Calummas and Emineres is also possible



Connection of leader cables



Leader Cable (CE):

Wire	Power Connection	Wire	Data Connection
Brown	Live	Orange	Data -
Blue	Neutral	Purple	Data +
Yellow/Green	Ground (Earth)	Shielding	Data ground (0V)

Fixture’s Amphenol connectors are dust and water protected according to IP 67 by mating with related Amphenol connectors. They cannot stay disconnected outdoor.

The output connector at last fixture in the Calumma chain has to always be covered with the water-tight cap to keep declared IP rating.

The Calumma modules with IN/OUT cables should be connected to the E-box which allows power supply of the Calumma modules and their control.

Do not connect (disconnect) Calummas to the E-box or Booster box and each other when they are under voltage!

When you change any setting of the E-box, disconnect the E-box from power and connect it to power again to activate changes which you have made.

Number of connected Calummas to one E-box output depends on a cable length, power voltage, type of Calumma and E-box operation mode.

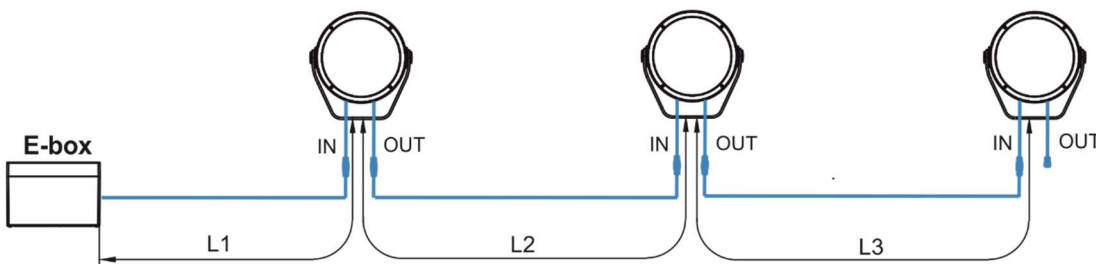
Calumma L

The tables below state max. theoretical number of Calummas connected to the one LED output of the E-box without Booster boxes. The following table applies for the **Standard mode of E-boxes**.

Calumma L MC	Voltage			
Cable length *	120V	190V	230V	277V
10 m	17	26	32	38
20 m	17	26	32	38
30 m	12	26	32	38
50 m	7	18	26	37
70 m	5	13	18	27
100 m	3	9	13	19
200 m	3	4	6	9
500 m	1	2	3	4

Calumma L SC	Voltage			
Cable length *	120V	190V	230V	277V
10 m	14	22	27	32
20 m	14	22	27	32
30 m	10	22	27	32
50 m	6	15	22	32
70 m	4	11	16	23
100 m	3	7	11	16
200 m	1	4	5	8
500 m	1	1	2	3

* Cable length is a total cable length between power supply (e.g. E-box) and last connected Calumma.
 Example: Total cable length=L1+L2+L3



Notice for the E-box Star: The tables above state max. total number of Calummas connected to 6 LED outputs of the E-box Star (or max. number of Calummas connected to one output if the rest of outputs is not connected).

4.5.1 Booster box

To compensate a voltage drop in large installation, the Booster boxes have to be connected in the chain of Calummas (connected IN/OUT method) at every LED output of the E-box.

The following tables give theoretical numbers of Calummas after which the Booster box has to be installed in the chain of Calummas (at one LED output of the E-box). The following table applies for the Standard mode of E-boxes.

Calumma L MC	Max. number of Calummas L MC=191			
	Voltage			
Cable length	120V	190V	230V	277V
10 m	17	26	-	-
20 m	17,34,51	26,32	32	38
30 m	12,24,36,48,60,71,84	26,52,78	32,64	38,76
50 m	7,14,21,28,35,42,49,56,63...	18,32,54,72,90...	26,52,78,104...	37,74,111....
70 m	5,10,15,20,25,30,35,40,45, 50,55,60,65,70,75,80...	13,26,39,52,65, 78,91,104,117...	18,36,54,72,90 108...	27,54,81,10 8,135....
100 m	3,6,9,12,15,18,21,24,27,30, 33,36,39,42,45,48,51,54,57 ,60,63,66,69,72,75,78,81...	9,18,27,36,45,54 ,72,81,90,99,108 ...	13,26,39,52,65, 78,91,104...	19,38,57,76 95,114...
200 m	3,6,9,12,15,18,21,24,27,30, 33,36,39,42,45,48,51,54,57 ,60,63,66,69,72,75,78,81...	4,8,12,16,20,24, 28,32,36,40,44,4 8,52,56,60,64,68 ,72,76,80,84....	6,12,18,24,30,3 6,42,48,54,60,6 6,72,78,84,90,9 6,102....	9,18,27,36,4 5,54,63,81,9 0,99,108,11 7....
500 m	1,2,3,4,5,6,7,8,9,10,11....	2,4,6,8,10,12,14, 16,18....	3,6,9,12,15,18, 21....	4,8,12,16,20 ,24,28....

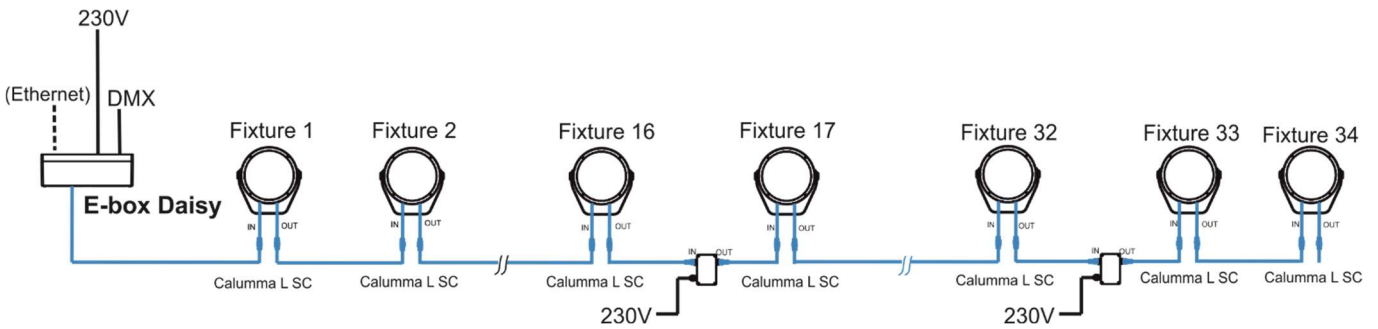
Calumma L SC	Max. number of Calummas L SC=191			
	Voltage			
Cable length	120V	190V	230V	277V
10 m	14,28	22	27	-
20 m	14,28,42,54	22,44	27,54	32
30 m	10,20,30,40,40,50,60,70,80	22,44,66	27,54,81	32,64
50 m	6,12,18,24,30,36,42,48,54, 60,66,72,78,84,90,96,102....	15,30,45,60,75,9 0,105,120,135..	22,44,66,88,11 0,132...	32,64,96, 128...
70 m	4,8,12,16,20,24,28,32,36,40 ,44,48,52,56,60,64,68,72,7 6,80,84....	11,22,33,44,55,6 6,77,88,99,110...	16,32,48,64,80, 96,112,128,144	23,46,69,92, 115,138,161 ...

Calumma L

100 m	3,6,9,12,15,18,21,24,27,30,33,36,39,42,45,48,51,54,57,60,63,66,69,72,75,78,81...	7,14,21,28,35,42,49,56,63,70,77,84,91,98,105...	11,22,33,44,55,66,77,88,99,110,121,132...	16,32,48,64,80,96,112,128,144,160
200 m	1,2,3,4,5,6,7,8,9,10,11....	4,8,12,16,20,24,28,32,36,40,44,48,52,56,60,64,68,72,76,80,84....	5,10,15,20,25,30,35,40,45,50,55,60,65,70,75...	8,16,24,32,40,48,56,64,72,80,88,96...
500 m	1,2,3,4,5,6,7,8,9,10,11....	1,2,3,4,5,6,7,8,9,10,11....	2,4,6,8,10,12,14,16,18,20...	3,6,9,12,15,18,21....

Example: E-box Daisy, Power supply= 230V, Cable length=70m, fixture=Calumma L SC

The Booster box has to be connected after every 16th Calumma L SC (fixture 16 and fixture 32) from 34 fixtures.

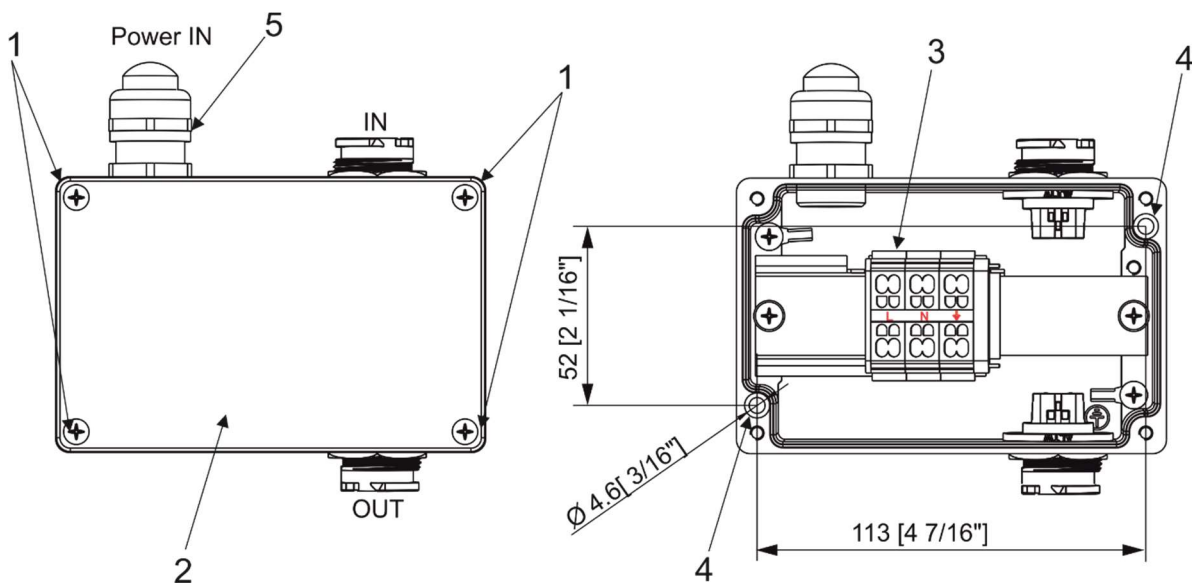


4.5.2 Booster box installation

ALWAYS DISCONNECT THE CALUMMAS FROM MAINS BEFORE CONNECTING/DISCONNECTING THE BOOSTER BOX.

The Booster box falls under protection class I. Therefore, every Booster box has to be connected to a mains socket outlet with a protective earthing connection.

1. Unscrew the four screws (1) from the cover (2) on the Booster box to get access to the terminal block (3) and two mounting holes of diameter of 4.6 mm (4).
2. Screw the Booster box on a non-flammable flat surface and connect cables.



3. Connect power cable.

Remove the end cap from the cable gland before passing the power cable.

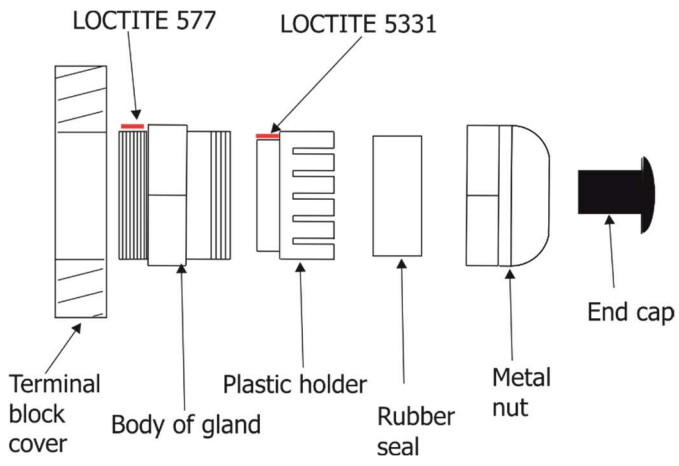
The cable gland M20 x 1.5 (5) with a standard seal serves for a cable of diameter of 7-13mm, for smaller diameter of cable (4-8mm) you have to remove the original seal from the cable gland M20 x 1.5 and use the enclosed reducing seal instead of it. The reducing seal for diameter of cable 4-8mm (P/N 13051388) is enclosed in the Booster box.

Power connection

	L	N	⊕ (earth)
Core (CE)	Braun	Blue	Green/yellow

We recommend to apply an adequate layer of the paste LOCTITE 5331 on the plastic holder of the cable gland before inserting it into the body of the gland and an adequate layer of the paste LOCTITE 577 on the thread of the gland body.

Cable gland M20x1.5



4. Screw the cover (2) back on the Booster box.

5. Software update

Software update of Calumma module has to be done by means of the software ROBE Uploader running on PC. The ROBE Uploader is a software for automatized software update of ROBE fixtures. The ROBE Uploader switches Calummas to the update mode automatically.

Please see <https://www.robe.cz/robe-uploader/> for more information.

The software update depends on a method of Calummas connection.

Note: Calumma modules in DALI connection and ON/OFF connection cannot be updated.

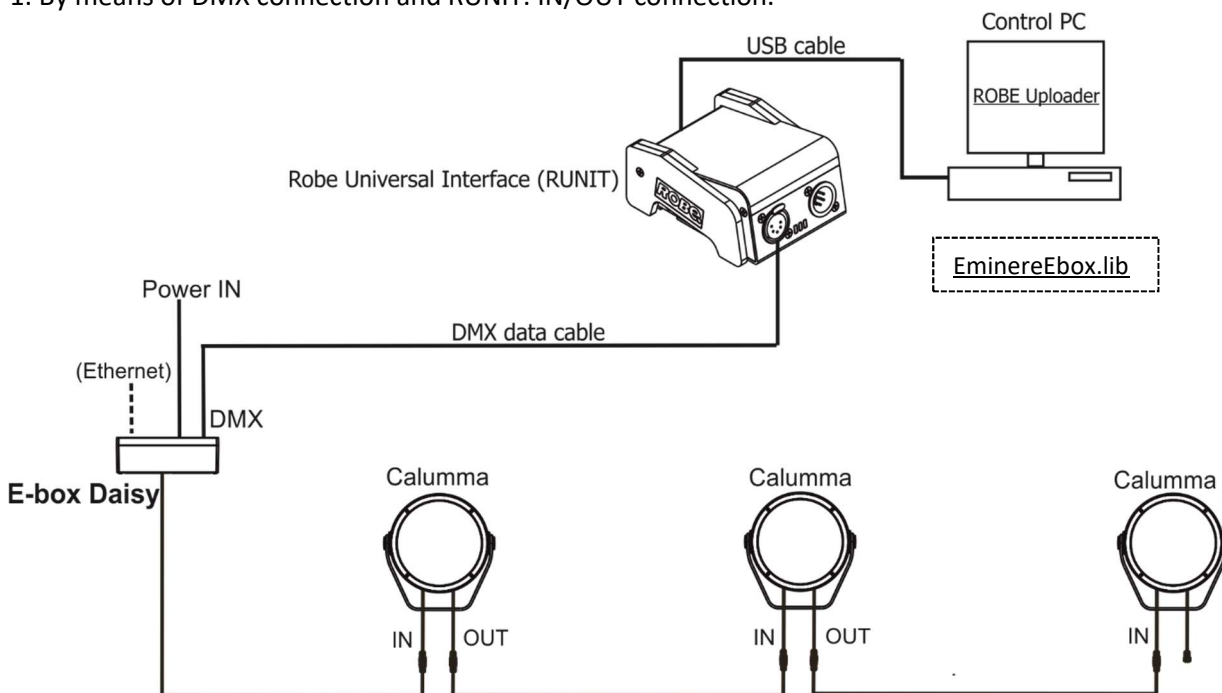
DMX or Ethernet connection via E-box

If the option **Standard** is selected from the menu **E-box mode**, the E-box will be updated including connected Calumma modules. You have to use the file EminereEbox.lib in the ROBE Uploader for this operating mode. The Standard mode is usually used in IN/OUT connection (without junction boxes).

If the option **Pass-Thr** is selected from the menu **E-box mode**, the E-box will not be updated, only connected Calumma modules. You have to use the file Calumma.lib in the ROBE Uploader for this operating mode. The Pass-Through mode is usually used in connection with junction boxes.

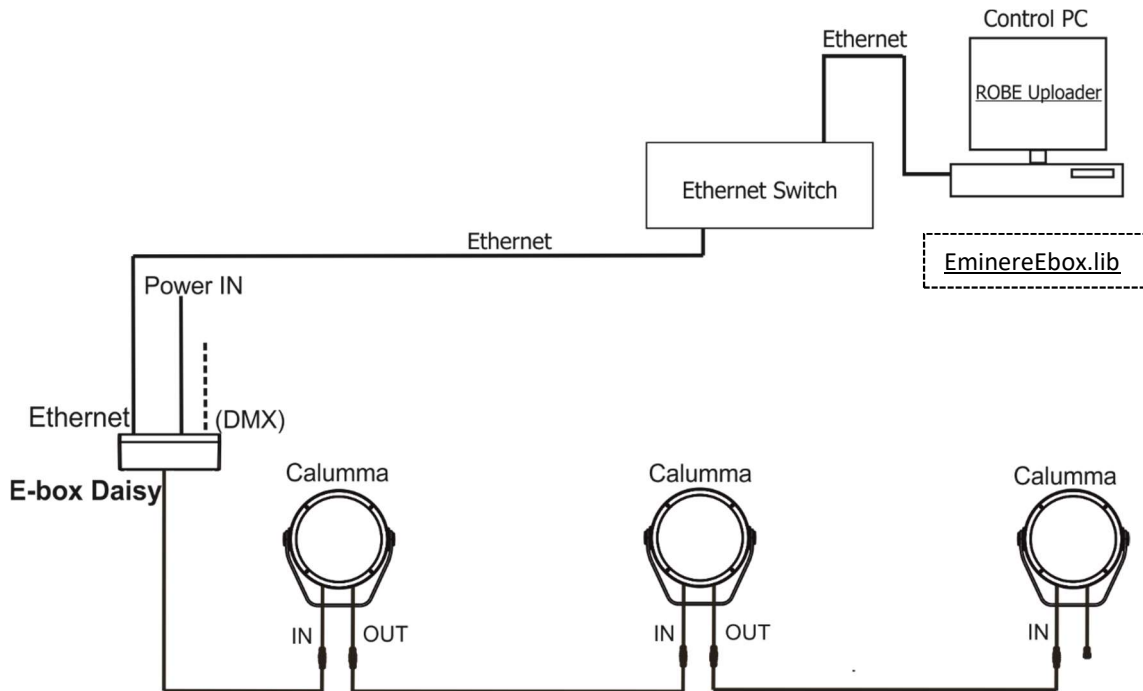
Examples:

1. By means of DMX connection and RUNIT. IN/OUT connection.

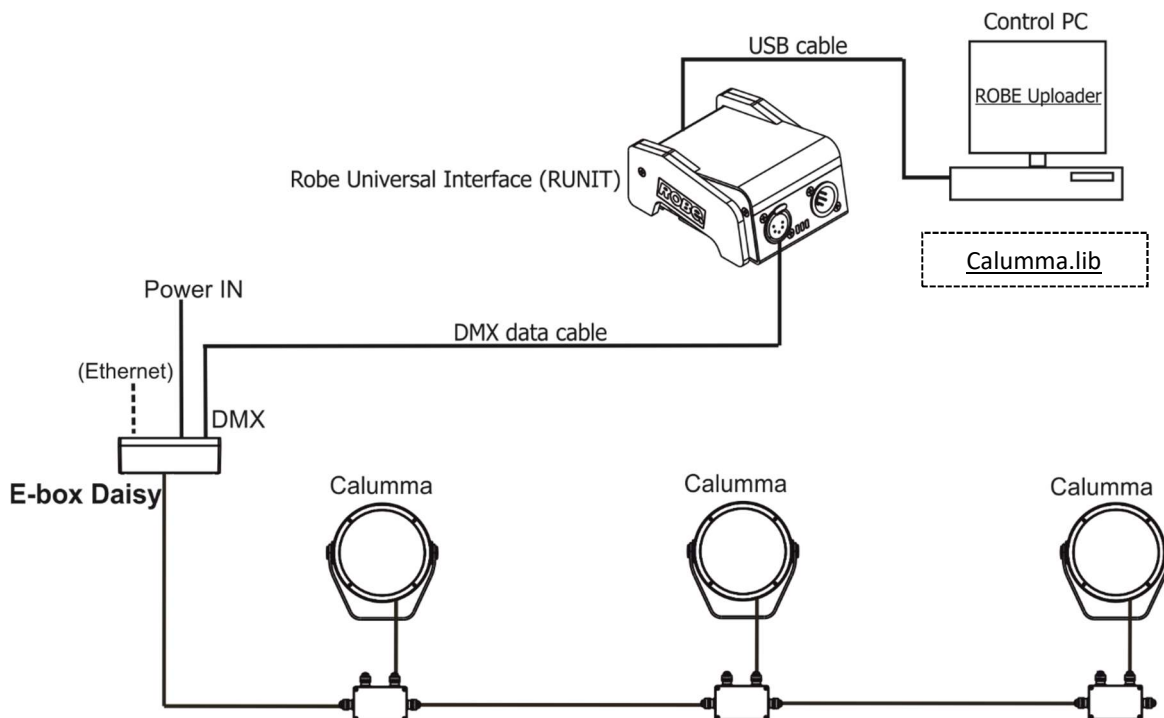


Calumma L

2. By means of the Ethernet connection. IN/OUT connection.



3. By means of DMX connection and RUNIT. Connection via junction boxes.

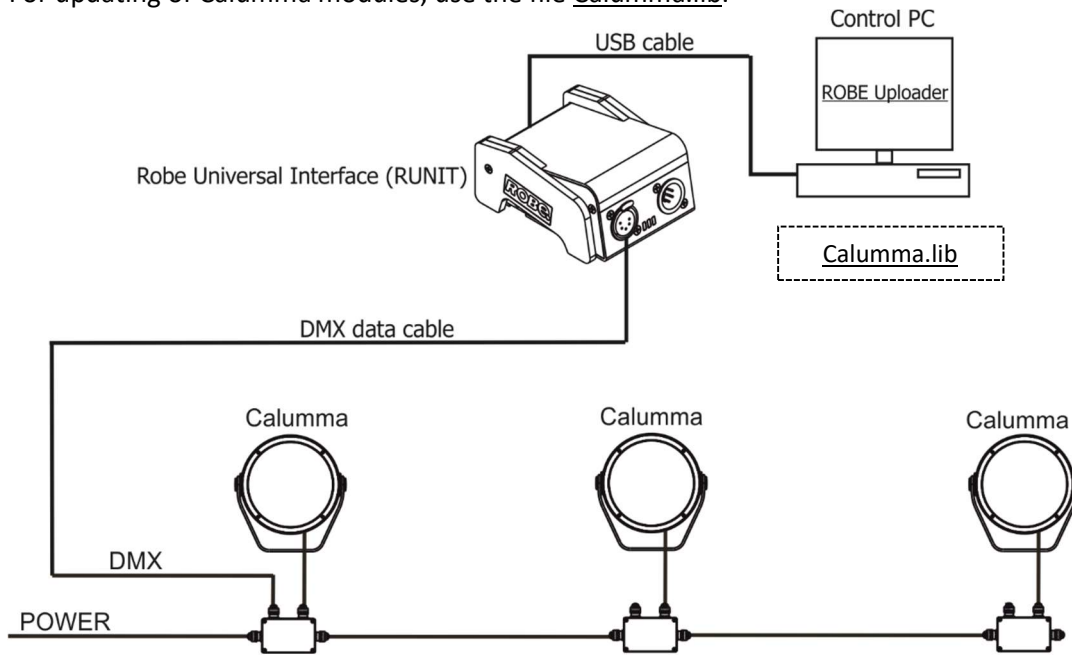


If you use a connection via junction boxes and you need to update connected E-box, switch the E-box to the Standard mode and use the EminereEbox.lib in the ROBE Uploader to update E-box. After updating the E-box, switch it back to the Pass-Trough mode.

Calumma L

DMX connection

For updating of Calumma modules, use the file Calumma.lib.



6. Technical specifications

Power supply

- Electronic auto-ranging
- Input voltage: 120 - 277V AC, 50/60 Hz
- Power consumption:
Calumma L MC: 110 W
Calumma L SC: 130 W
- Inrush current:
Calumma L MC: 230V/ 65A Twidth =550us measured at 50% Ipeak (cold start)
Calumma L SC: 230V/ 65A Twidth =550us measured at 50% Ipeak (cold start)

Optic

- Light source:
Calumma L MC: 12 x high power multichip LEDs
Calumma L SC: 85 x high power single chip LEDs
- Colour variants: RGBW (W - 6500 K), RGBA, PW (W - 3000 K)
- Beam Angle Calumma L MC:
Symmetrical: 9°, 15°, 25°, 30°, 45°, 65°, 100°
Bi-symmetrical: 10° x 30°, 30° x 10°, 10° x 60°, 60° x 10°, 15° x 45°, 45° x 15°,
15°x90°, 90°x15°, 30°x60°, 60°x30°, 30°x90°, 90°x30°
- Beam Angle Calumma L SC:
Symmetrical: 10°, 15°, 25°, 30°, 45°, 65°, 100°
Bi-symmetrical: 10° x 30°, 30° x 10°, 10° x 60°, 60° x 10°, 15° x 45°, 45° x 15°,
15°x90°, 90°x15°, 30°x60°, 60°x30°, 30°x90°, 90°x30°
Asymmetrical side, Asymmetrical forward
- Projected Lumen Maintenance: L90B10 >90.000 hrs, Ta = 25°C / 77°F

Compatible drivers

- E-box Daisy
1 Output
1 Main power Input
Control: DMX, Art-Net, sACN , W-DMX control, RDM
Pixel control
120-277V Input
Connection via terminal blocks, inlets via grommet
IP67
- E-box Star
6 outputs
1 Main power Input
Control: DMX, Art-Net, sACN , W-DMX control, RDM
Pixel control
120-277V Input
Connection via terminal blocks, inlets via grommet
IP67
- E-box Lite
1 output
1 Main power Input
Control: DMX, W-DMX control, RDM
Pixel control

Calumma L

120-277V Input

Connection via screw terminal blocks, inlets via grommet

IP67

Mounting method

- Via yoke
- Adjustability: -180°/+180°

Housing

- High pressure die-cast aluminium body
- Tempered glass

Cooling system

- Convection

Total heat dissipation

- Calumma L MC: 281 BTU/h (calculated)
- Calumma L SC: 332 BTU/h (calculated)

Protection factor

- CE: IP 67 (IP 66 junction box)
- US: Suitable for wet location

Impact rating

- IK10

Operating ambient temperature range

- -20°C /+40°C (-4°F /+104°F)

Connection - CE

- DMX connection
 - Calumma IN: Flamar 3x AWG 16 + 1 x (2x AWG 24) Standard 1m with bare-end (P/N 1305 1508)
 - Interconnecting cables: Flamar 3x AWG 16 + 1 x (2x AWG 24) (P/N 1305 1508)
 - Junction box (P/N 1098 0714)
- Wireless DMX connection
 - Calumma IN: Flamar 3x AWG 16 + 1 x (2x AWG 24) Standard 1m with bare-end (P/N 1305 1508)
 - Junction box (P/N 1098 0714)
- Wireless to DMX connection
 - Calumma IN: Flamar 3x AWG 16 + 1 x (2x AWG 24), Standard 1m with bare-end (P/N 1305 1508)
 - Interconnecting cables: Flamar 3x AWG 16 + 1 x (2x AWG 24) (P/N 1305 1508)
 - Junction box (P/N 1098 0714)
- DALI connection
 - Calumma IN: SJTW 5x 14AWG, standard 1m with bare-end (P/N 1305 3336)
 - Interconnecting cables: SJTW 5x 14AWG (P/N 1305 3336)
 - Junction box (P/N 1098 0714)

Calumma L

- DMX or Ethernet via E-box and Junction box
Calumma IN: Flamar 3x AWG 16 + 1x (2x AWG 24), standard 1m with bare-end (P/N 1305 1508)
Interconnecting cables: Flamar 3x AWG 16 + 1 x (2x AWG 24), (P/N 1305 1508)
Junction box (P/N 1098 0714)
- DMX or Ethernet via E-box and IN/OUT cables
Calumma IN: Leader cable MM (P/N 13053493) with hybrid connector, standard 0.5 m
Calumma OUT: Leader cable MF (P/N 13053494) with hybrid connector, standard 0.5 m
Leader cables: Leader Cable FF 2 m (P/N 13053438)
Leader Cable FF 5 m (P/N 13053440)
Leader Cable FF 10 m (P/N 13053436)
Leader Cable FF 25 m (P/N 13053437)
Jumper cables: Jumper Cable FF/FM 0,25 m (P/N1 3053422)
Jumper Cable FF/FM 0,5 m (P/N 13053423)
Jumper Cable FF/FM 1 m (P/N 13053425)
Jumper Cable FF/FM 2 m (P/N 13053427)
Jumper Cable FF/FM 3 m (P/N 13053428)
Jumper Cable FF/FM 5 m (P/N 13053430)
Jumper Cable FF/FM 10 m (P/N 13053424)

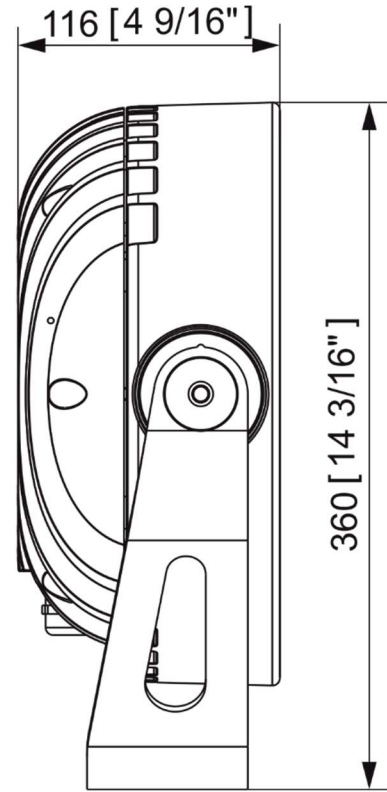
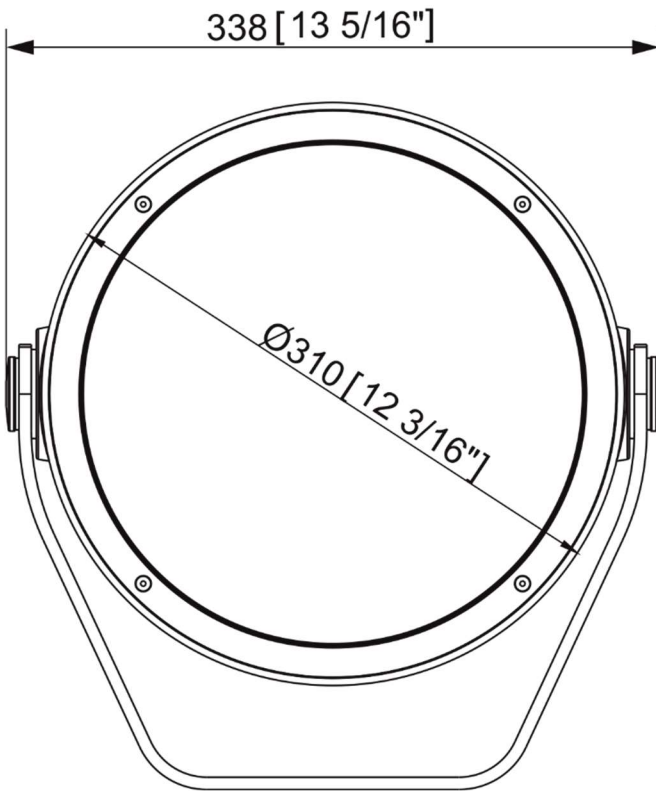
Connection - US

- Wireless DMX connection
Calumma IN: SJTW 6x 14AWG, standard 1m with bare-end, (P/N 1305 3480)
Junction box
- Wireless to DMX connection
Calumma IN: SJTW 6x 14AWG, standard 1m with bare-end, (P/N 1305 3480)
Interconnecting cables: SJTW 6x 14AWG (P/N 1305 3480)
Junction box (P/N 1098 0714)
- DALI connection
Calumma IN: SJTW 5x 14AWG, standard 1m with bare-end (P/N 1305 3336)
Interconnecting cables: SJTW 5x 14AWG (P/N 1305 3336)
Junction box (P/N 1098 0714)
- DMX or Ethernet via E-box and Junction box
Calumma IN: SJTW 6x 14AWG ,standard 1m with bare-end (P/N 1305 3480)
Interconnecting cables: SJTW 6x 14AWG ,(P/N 1305 3480)
Junction box (P/N 1098 0714)

Weight

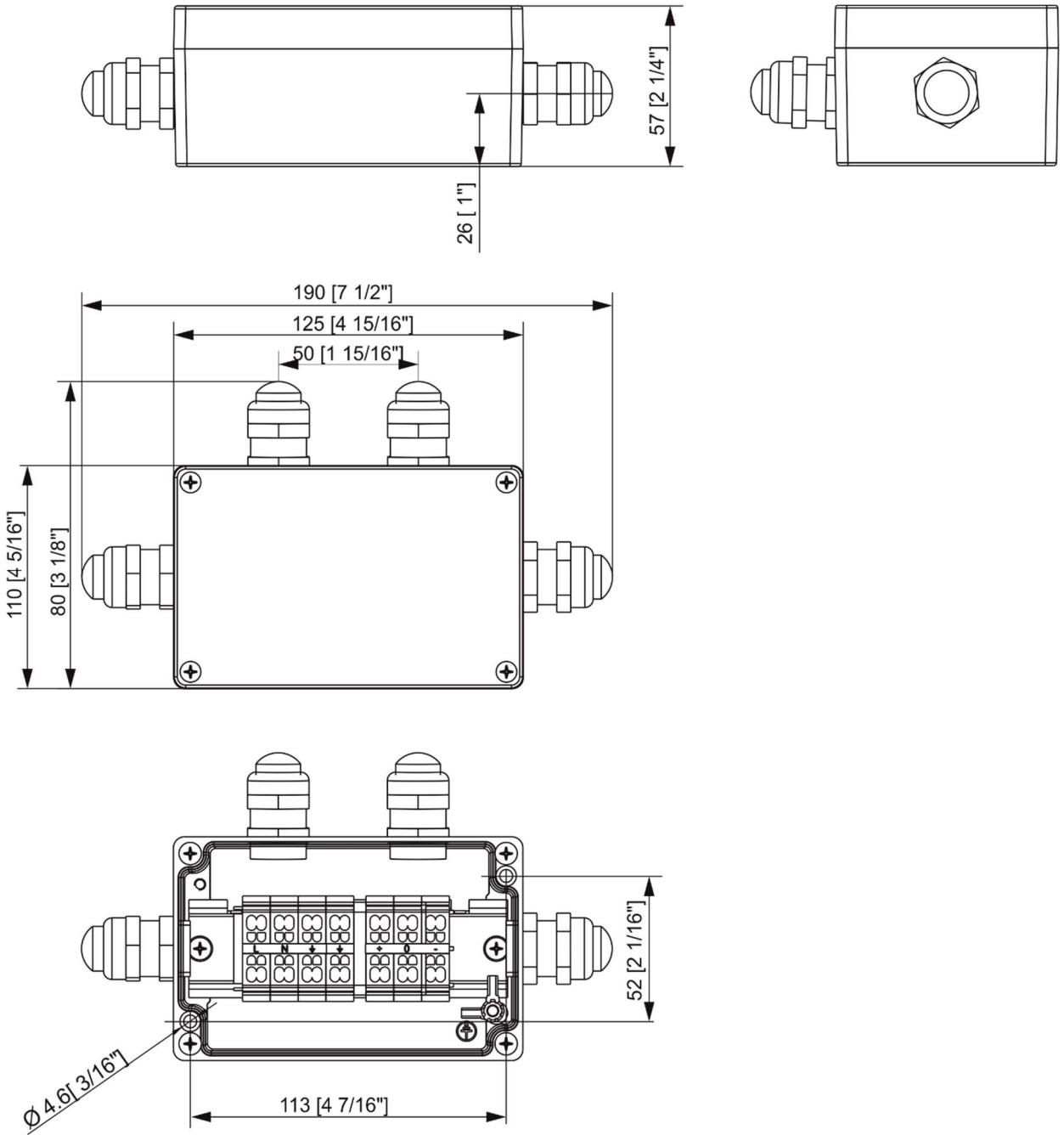
- Calumma L SC 9.7 kg (21.38 lbs)
- Calumma L MC 9.43 kg (20.79 lbs)

Dimensions (All dimensions in mm [inch])



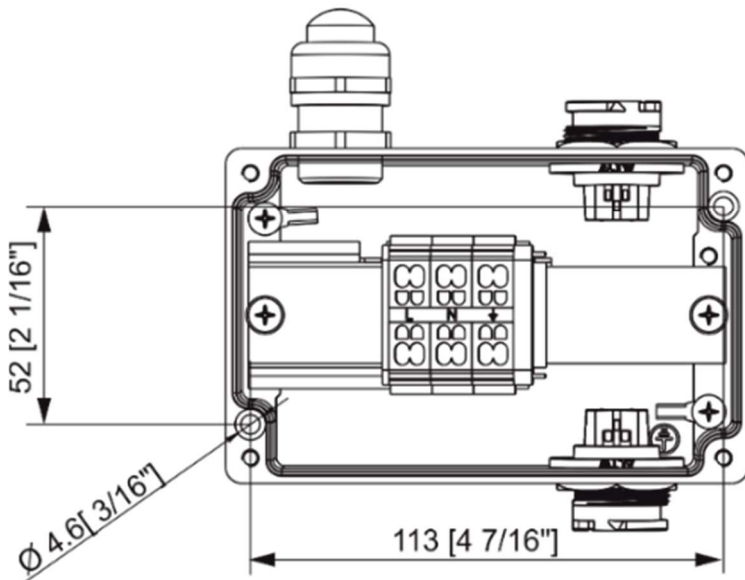
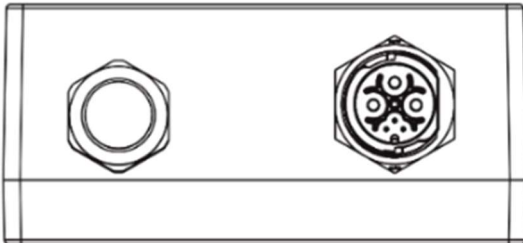
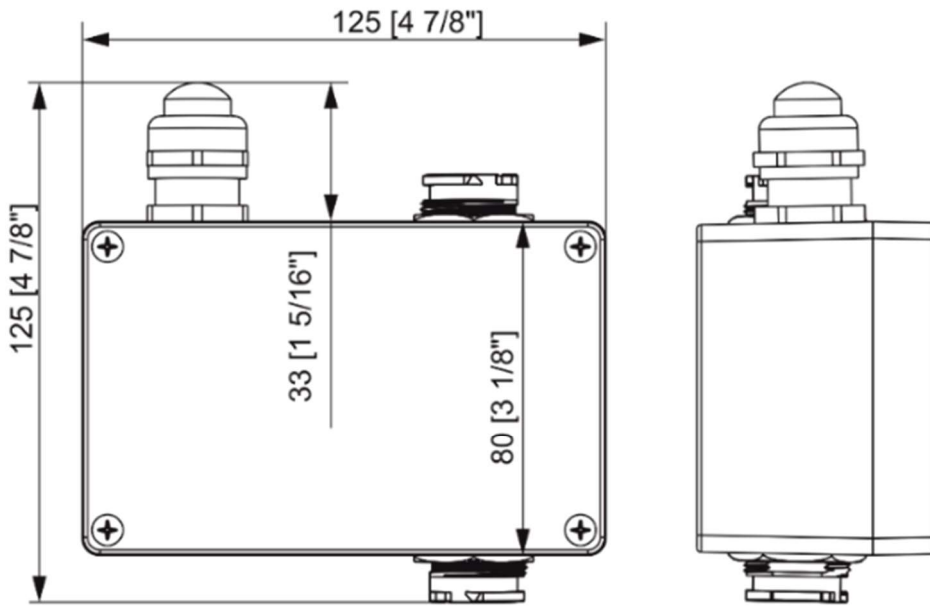
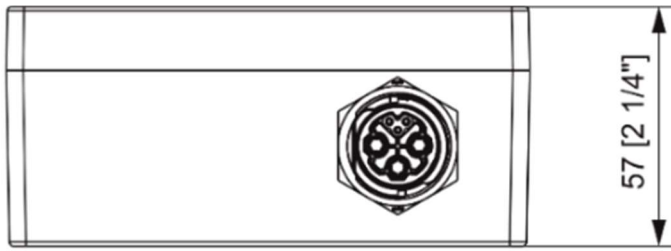
Calumma L

Junction box



Calumma L

Booster box



Included items

- 1 x Calumma L MC / Calumma L SC
- 1 x User manual

Optional accessories

Top Hat Calumma L RAL9011 (P/N 10980740)
 Half Top Hat Calumma L RAL9011 (P/N 10980738)
 Tenon Adaptor for Calumma L
 Pole Mount Bracket for Calumma L

E-box Daisy (P/N 10063655)
 E-box Daisy/W (P/N 10063638)
 E-box Lite (P/N 10063657)
 E-box Lite/W (P/N 10063653)
 E-box Star (P/N 10063656)
 E-box Star/W (P/N 10063644)

Booster box (P/N 10063712)

7. Cleaning and maintenance

DANGER !
Disconnect from the mains before starting any maintenance or cleaning work

Rinse off loose dirt with low pressure water spray. Wash the housing with a soft brush or sponge and a mild, non-abrasive washing detergent. Rinse it.

Maintenance and service operations are only to be carried out by a qualified person.

Should you need any spare parts, please use ROBE OEM parts.

7.1 Disposing of the product

To preserve the environment please dispose or recycle this product at the end of its life according to the local regulations and codes.

8. ChangeLog

This section summarizes changes in the user manual.

Version of manual	Date of issue	Description of changes
1.1	12/10/2022	DMX chart ver. 1.1

Specifications are subject to change without notice.

October 12, 2022

Copyright © 2022 Robe Lighting - All rights reserved

Made in CZECH REPUBLIC by ROBE LIGHTING s.r.o. Palackeho 416/20 CZ 75701 Valasske Mezirici

DMX protocol for Calumma - All sizes - RGBW(A)

Version: 1.1 (16 modes in total)

Mode/Channels in all							Mode 1- RGBW(A)-8bit, Mode 2- RGB 8-bit, Mode 3- full RGBW(A)		
1	2	3	4	5	6	7-10	Mode 4- White-full control, Mode 5- Reduced RGBW(A)		
4	3	12	3	6	8	Reserved	Mode 6- Reduced RGBW(A)+white control		
Mode/channels							DMX Value	Function	Type of control
1	2	3	4	5	6	DMX Value	Function	Type of control	
1	1	1	-	1	1	0 - 255	Red Red LEDs saturation control (0-100%)	proportional	
-	-	2	-	-	-	0 - 255	Red Fine Red LEDs saturation control fine	proportional	
2	2	3	-	2	2	0 - 255	Green Green LEDs saturation control (0-100%)	proportional	
-	-	4	-	-	-	0 - 255	Green Fine Green LEDs saturation control fine	proportional	
3	3	5	-	3	3	0 - 255	Blue Blue LEDs saturation control (0-100%)	proportional	
-	-	6	-	-	-	0 - 255	Blue Fine Blue LEDs saturation control fine	proportional	
4	-	7	-	4	4	0 - 255	White (Amber) White LEDs saturation control (0-100%)	proportional	
-	-	8	-	-	-	0 - 255	White (Amber) Fine White LEDs saturation control fine	proportional	
-	-	9	1	-	5	0	Green correction Uncorrected white	step	
						1-127	Minus green - uncorrected white	proportional	
						128	Uncorrected white (128=default)	step	
						129-255	Uncorrected white - Plus green	proportional	
-	-	10	2	-	6	0	Colour temperature correction (CTC) No function (0 - default)	step	
						1 - 10	Tungsten dimming 2700 K	step	
						11 - 20	Tungsten dimming 3200 K	step	
						21-255	Colour temperature changing from 1800 K --> 6500 K (21-1800K, 66-2700K, 91-3200K,141-4200K, 211-5600K, 255-6500K)	proportional	
-	-	11	3	5	7	0 - 255	Dimmer Light intensity coarse (0-100%)	proportional	
-	-	12	-	6	8	0 - 255	Dimmer Fine Light intensity fine	proportional	

Copyright © 2022 Robe Lighting s.r.o. - All rights reserved

All Specifications subject to change without notice

DMX protocol for Calumma - All sizes - MC and SC					
Version: 1.1 (16 modes in total)					
Mode/Channels in all				TW Modes: Mode 6- White selection + Dimmer, Mode 7- WW + CW	
11	12	13	14-16	PW Mode: Mode 8- Dimmer	
3	4	2	Reserved		
TW and PW modes					
Mode/channels			DMX Value	Function	Type of control
6	7	8			
1	-	-	0 - 255	White colour selection White from 2700 K - 6500 K	proportional
-	1	-	0 - 255	Warm White Warm White LEDs saturation control (0-100%)	proportional
-	2	-	0 - 255	Cool White Cool White LEDs saturation control (0-100%)	proportional
2	3	1	0 - 255	Dimmer Light intensity coarse (0 - 100%)	proportional
3	4	2	0 - 255	Dimmer Fine Light intensity fine	proportional
Copyright © 2022 Robe Lighting s.r.o. - All rights reserved					
All Specifications subject to change without notice					