

# CALUMMA™ XS MC

Using a single high-power, multi-chip LED inside a compact, elegant, and durable housing, the smallest Calumma is a great choice for many different lighting applications. Complementing both outdoor environments and interior designs, its wide range of beam angles, LED chip colour variant options and accessories make the Calumma XS MC an ideal, extra small lighting solution for any architectural design.



## KEY FEATURES

### Lumen output & Light source

Luminaire with one high-power, multi-chip LED provides light output up to 415 lumens with an efficacy of 41 lm/w. Offering a choice of multiple LED colour variants, precise beam control with no light spill, and perfectly homogenised light output, it's an excellent solution for applications requiring high performance in a compact luminaire.

### Design & Durability

Lightweight, compact, durable and stylish housing made of high-pressure die cast aluminium. IP67 and IK10 certification; suitable for marine and traffic applications. Supported with a 5 year warranty.

### Flexibility

An exceptionally compact luminaire available with a wide range of accessories, custom colour finishes, LED choices, and beam angle options, Calumma XS offers the lighting designer a flexible solution for the most demanding applications.

## COLOURS

\* UPON REQUEST



RGBW



RGBA



Pure White



Tuneable White \*

## COLOUR TEMPERATURE

\* UPON REQUEST



3.000 K



3.000 K - 6.500 K \*

## CONTROL & PROTOCOLS



REMOTE / REMOTE BASIC

## STANDARD & SPECIFICATION



IP67



IK10



CE



ETL



ROHS



UK CA



5 YEAR

Warranty with Registration



Vibration Standard for Bridge

## FINISH OPTIONS



Graphite Black



Silver



RAL

Custom Paint Colour



Harsh Environment

## OPTIC OPTIONS

### SYMMETRICAL



9°



15°



25°



30°



45°



65°



100°

### BI-SYMMETRICAL



10°x30°



10°x60°



15°x45°



15°x90°



30°x60°



30°x90°



30°x10°



60°x10°



45°x15°



90°x15°



60°x30°



90°x30°

CALUMMA XS MC SPECIFICATION

<b>ELECTRICAL</b>	Typical Power Consumption	10 W
	Input Voltage	48 V
<b>OPTICAL</b>	Light Source	High Power Multichip LED
	Colour Variants	RGBW (W - 6500 K)   RGBA   PW (W - 3000 K) Other Variants On Request (TW 3000 - 6500 K)
	Beam Angle	9°   15°   25°   30°   45°   65°   100° 10°x30°   30°x10°   10°x60°   60°x10°   15°x45°   45°x15° 15°x90°   90°x15°   30°x60°   60°x30°   30°x90°   95°x30°
	Lumen Output Delivered	415 lm (@9°RGBW) (preliminary)
	Projected Lumen Maintenance	L90B10 >90.000 hrs, Ta = 25°C / 77°F
	Interface protocol	Via E-box Remote or E-box Remote Basic
<b>CONTROL</b>	E-Box Remote control protocol	USITT DMX512/RDM, ArtNet, MA Net, MA Net2, sACN, Kling-Net
	Setting / addressing	E-box Remote, RDM communicator
	Connectivity & Power Supply	E-Box Remote   Remote Basic
	Width x Height x Depth	94 x 108 x 76 mm (3.7 x 4.2 x 2.99 in.)
<b>PHYSICAL</b>	Weight	0.59 kg   1.3 lbs
	Housing	High Pressure Die-Cast Aluminium Body   Tempered Glass
	Finish Options	Standard Colour - Graphite Black (RAL 9011)   Silver (RAL 9006) Cost Option - Custom RAL   Harsh Environment (RAL 9016, RAL 9011)
	Cables / Connectivity	<b>IN</b> - Cable with bare end (Standard 1m, Longer upon Request) - Cable length - custom - Junction box - optional
	Mounting Method	Yoke
	Adjustability	+180° / -180°
	Protection Factor	IP67 (IP66 Junction Box) / Suitable For Wet Locations
	IK Rating	IK10
	Cooling System	Convection
	Operating Ambient Temperature	-20 °C / +40 °C (-4 °F / +104 °F)
	<b>CERTIFICATION</b>	Listings
<b>ACCESSORIES</b>		Optical Demo Set for Calumma XS
		Top Hat Calumma XS
		Half Top Hat Calumma XS
		Tenon Adaptor for Calumma XS
		Pole Adaptor (ø 102mm)

PROJECTED AREA

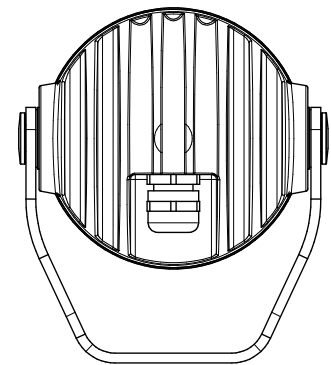
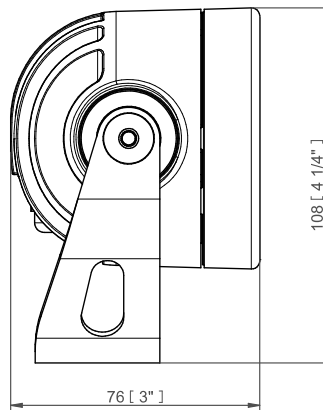
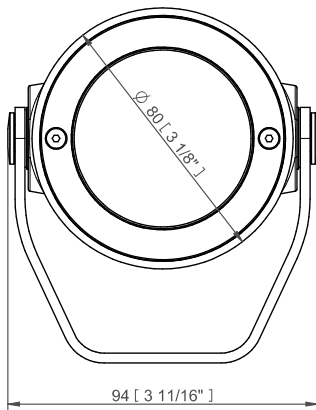
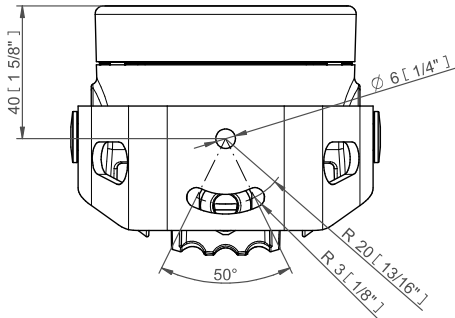
	Front (rear) - m <sup>2</sup>	Front (rear) ft <sup>2</sup>	Side - m <sup>2</sup>	Side - ft <sup>2</sup>	Top - m <sup>2</sup>	Top - ft <sup>2</sup>
<b>Calumma XS</b>	0,006	0,065	0,007	0,070	0,006	0,065
<b>with Top Hat</b>	0,006	0,065	0,014	0,151	0,014	0,151
<b>with Half Top Hat</b>	0,006	0,065	0,008	0,082	0,014	0,151

CONNECTIVITY

Following table shows maximum connected Calummas XS SC in a row with respect of cable length.

Cable length (m)	Per E-Box Remote or E-box Remote Basic	Per one LED output
<b>50</b>	40	25
<b>100</b>		20

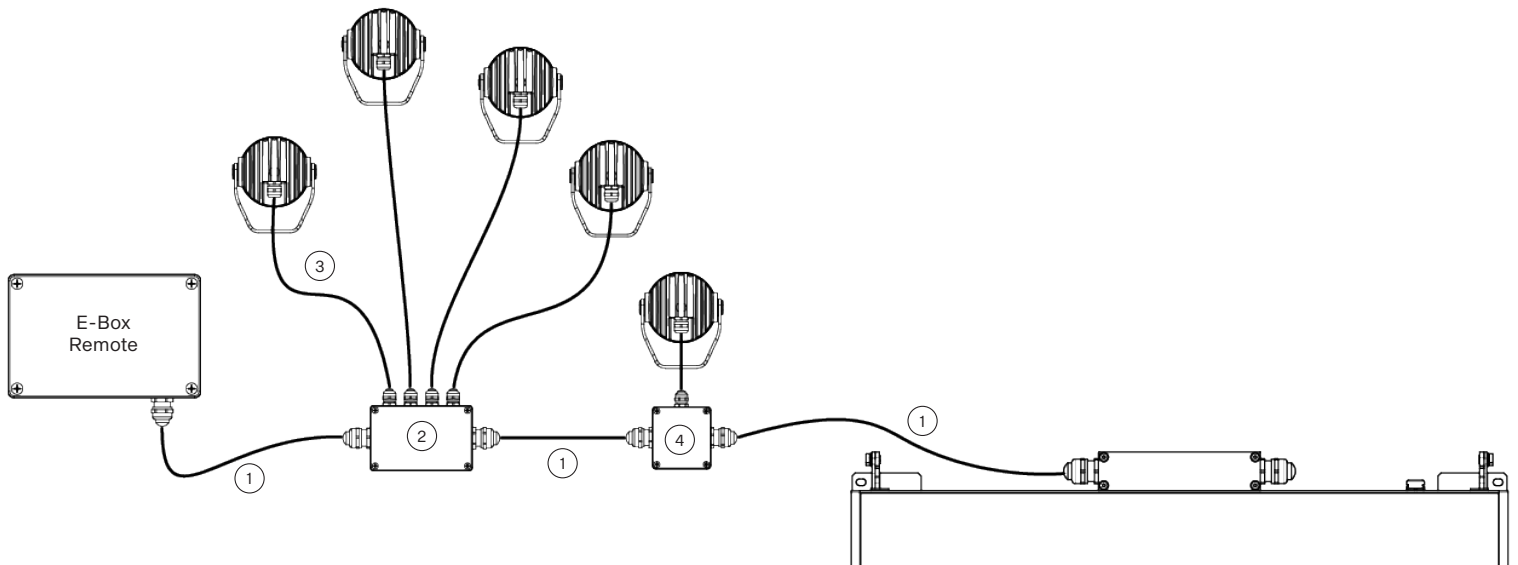
**DIMENSIONS**



**CONTROL AND CONNECTION OPTIONS**

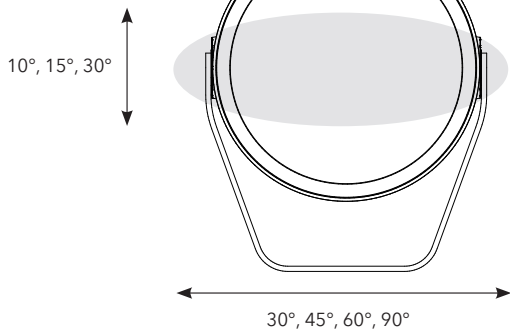
**Via E-Box REMOTE (Calumma XS, Eminere Remote)**

- 1) SJTW 5x 14AWG (13053336)
- 2) Junction Box for Calumma XS,(4x Output)
- 3) UL 20969 5x 20AWG (13053481)
- 4) Junction Box for Calumma XS, (1x Output)

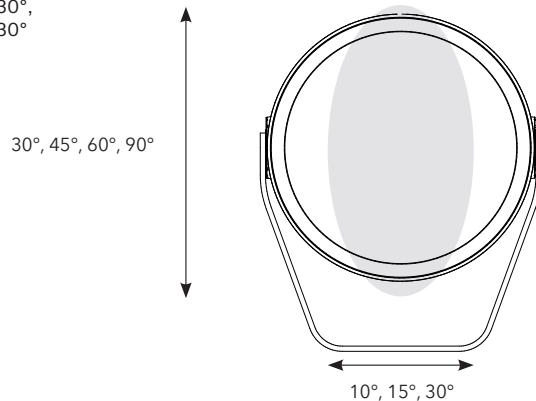


**BI-SYMMETRICAL BEAM ANGLES**

Bi-symmetrical:  
10°x30°,  
10°x60°,  
15°x45°,  
15°x90°,  
30°x60°,  
30°x90°

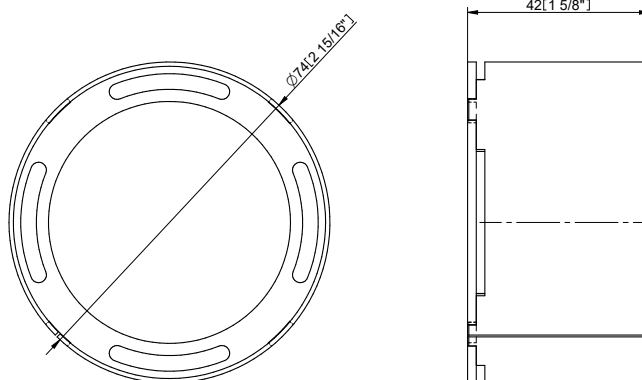


Bi-symmetrical:  
30°x10°,  
60°x10°,  
45°x15°,  
90°x15°,  
60°x30°,  
90°x30°



**ACCESSORIES**

Top Hat



Half Top Hat

