

CALUMMA™ L SC

Featuring an optical design using 85 high efficacy single-chip LEDs and available with optional LED colour variants and various beam angles, the large-sized Calumma L SC luminaire creates powerful and beautiful light output for a spot, accent or flood lighting solution. Its durable housing is built to withstand any exterior conditions, and its special finish for harsh and marine environments provides an exceptional outdoor LED luminaire in an elegant design. Additionally, Calumma L SC can be connected in long In/Out daisy-chains via an E-Box and hybrid Plug & Play connections for almost effortless installation. Complemented by wide range of accessories and control protocols, this luminaire is an effective and versatile unit to get the most out of architectural lighting applications.



KEY FEATURES

Lumen output & Light source

Luminaire with 85 high-power, singlechip LEDs provides up to 7900 lumen output. Multiple LED colour variants. No light spills. Well homogenised light output with great efficacy up to 60 lm/w.

Design & Durability

Compact, durable and stylish housing made of high-pressure die cast aluminium. IP67 and IK10 certification; suitable for marine and traffic applications. Supported with a 5 year-warranty.

Flexibility

Exceptional outdoor or indoor LED luminaire with a wide range of accessories, custom colour finishes, multiple light output variants and beam angles.

Connectivity

Utilising the innovative E-Box series of power and data interfaces, Calumma L SC can communicate via numerous wired, wireless, and Ethernet based control protocols. Various wiring topologies are supported using hybrid power / data cables with Plug & Play connectors or standard connection options.

COLOURS

* UPON REQUEST



CONTROL & PROTOCOLS

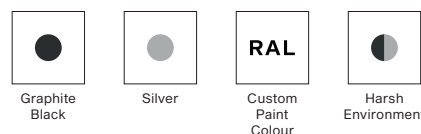


PW & SINGLE COLOR ONLY

STANDARD & SPECIFICATION

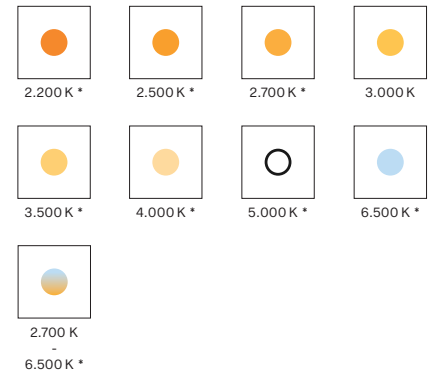


FINISH OPTIONS



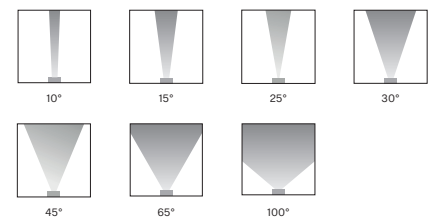
COLOUR TEMPERATURE

* UPON REQUEST

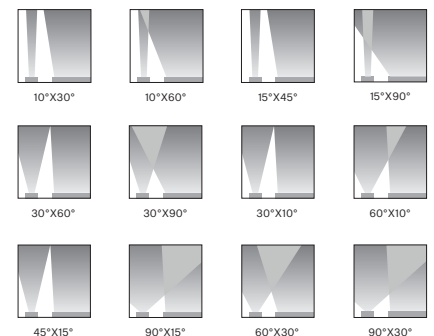


OPTIC OPTIONS

SYMMETRICAL



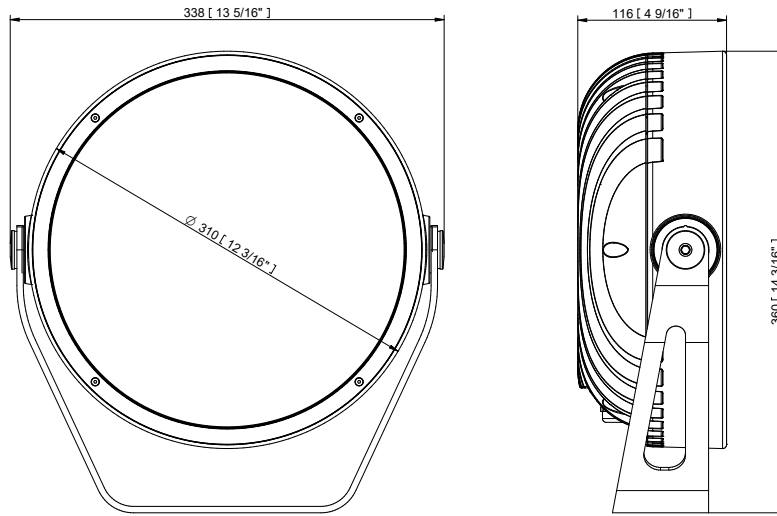
BI-SYMMETRICAL



CALUMMA L SC SPECIFICATION

ELECTRICAL	Input Voltage	120 - 277 V AC 50/60 Hz (US)	
	Typical Power Consumption	130W +/-10 %	
OPTICAL	Light Source	High Power Single Chip LEDs	
	Colour Variants	RGBW (W - 6500 K) RGBA PW (W - 3000 K)	
		Other Variants On Request (TW (2700 - 6500 K), 2200 K, 2500 K, 2700 K, 3500 K, 4000 K, 5000 K, 6500 K)	
	Beam Angle	10° 15° 25° 30° 45° 65° 100°	
		10°x30° 30°x10° 10°x60° 60°x10° 15°x45° 45°x 15° 15°x90° 90°x15° 30°x60° 60°x30° 30°x90° 90°x30°	
	Lumen Output Delivered	7900 lm (@ 10°, RGBW)	
	Projected Lumen Maintenance	L90B10 >90.000 hrs, Ta = 25°C / 77°F	
CONTROL	Interface Protocol	Via E-box range, DMX/RDM, wireless DMX, DALI 2 or ON/OFF (PW & single color only)	
	E-box control protocol	USITT DMX512+RDM, ArtNet, MA Net, MA Net2, sACN, Kling-Net	
	DALI 2 Device Type	DT 8	
	Wireless DMX (Option)	Lumen Radio CRMX Technology	
	Control System	Third Party DMX Controllers or third party DALI 2 controllers, Ethernet	
	Operating Modes	DMX, Stand-alone	
	Settings / Addressing	E-Box, RDM communicator	
	Power Supply	Integrated	
		Width x Height x Depth	338 x 360 x 116 mm (13.31 x 14.13 x 4.57 in.)
	Weight	9.7 kg 21.38 lbs	
	Housing	High Pressure Die-Cast Aluminium Body Tempered Glass	
	Finish Options	Standard Colour - Graphite Black (RAL 9011) Silver (RAL 9006) Cost Option - Custom RAL Harsh Environment (RAL 9016, RAL 9011)	
PHYSICAL	Cables / Connections	IN/OUT (for E- Box version): - 0,5 m cables with hybrid connectors - Jumper cables	IN (for DMX, DALI, ON / OFF): - 1 m cable with bare-end - Other cable length - custom - Junction box - optional
	Mounting Method	Yoke	
	Adjustability	+180° / -180°	
	Protection Factor	IP67 / Suitable For Wet Locations	
	IK Rating	IK10	
	Cooling System	Convection	
	Operating Ambient Temperature	-20 °C / +40 °C (-4 °F / +104 °F)	
		Listings	ETL / cETL, CE, RoHS, UKCA
ACCESSORIES		Junction Box for Calumma	
		Optical Demo Set for Calumma L	
		Top Hat Calumma L	
		Half Top Hat Calumma L	
		Tenon Adaptor for Calumma L	
		Floor stand for Calumma L, XL Pole Adaptor (ø 102mm)	

DIMENSIONS

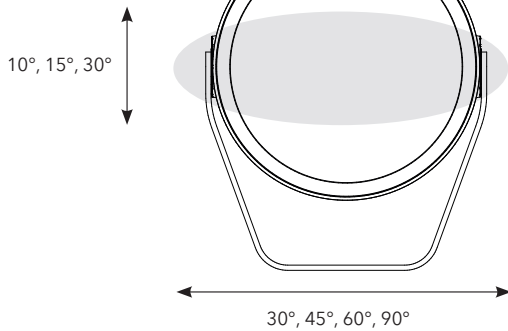


PROJECTED AREA

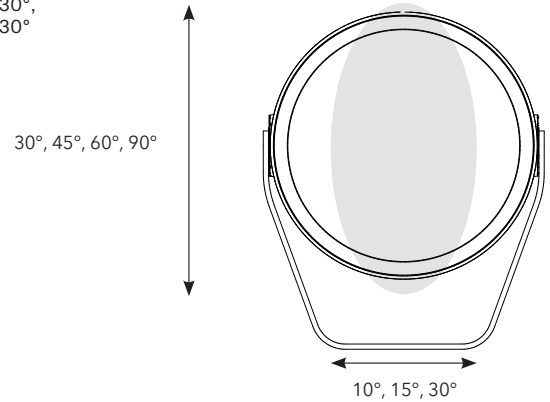
	Front (rear) - m ²	Front (rear) ft ²	Side - m ²	Side - ft ²	Top - m ²	Top - ft ²
Calumma L	0,080	0,861	0,037	0,398	0,035	0,373
with Top Hat	0,080	0,861	0,087	0,936	0,085	0,911
with Half Top Hat	0,080	0,861	0,059	0,635	0,082	0,882

BI-SYMMETRICAL BEAM ANGLES

Bi-symmetrical:
10°x30°,
10°x60°,
15°x45°,
15°x90°,
30°x60°,
30°x90°



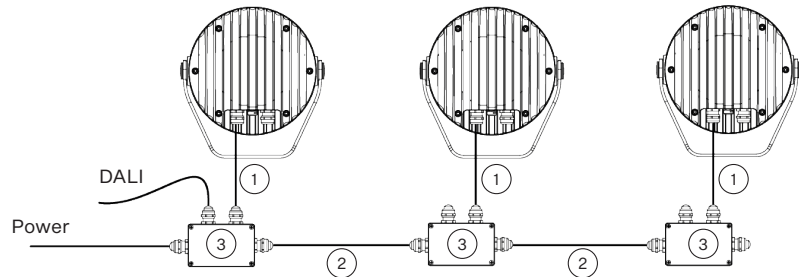
Bi-symmetrical:
30°x10°,
60°x10°,
45°x15°,
90°x15°,
60°x30°,
90°x30°



CONTROL AND CONNECTION OPTIONS - CE

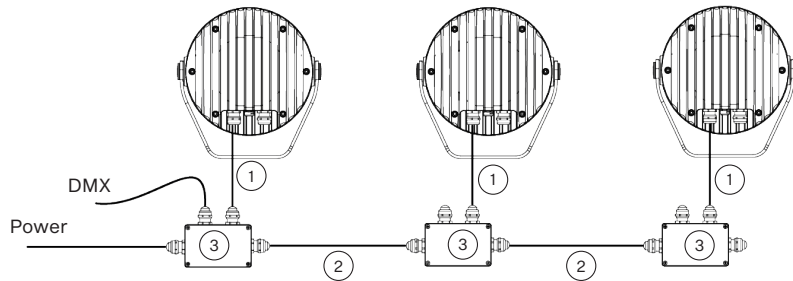
DALI

- 1) SJTW 5x 14AWG (1305 3336)
Standard 1 m with bare-end
- 2) SJTW 5x 14AWG (1305 3336)
or Scope of Others
- 3) Junction Box for Calumma



DMX

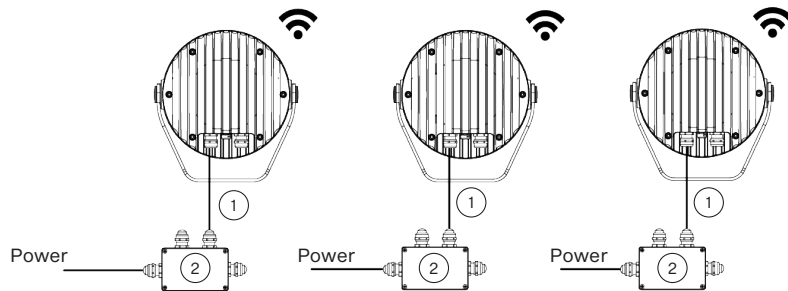
- 1) Flamar 3x AWG 16 + 1 x (2x AWG 24)
Standard 1 m with bare-end
(1305 1508)
- 2) Flamar 3x AWG 16 + 1 x (2x AWG 24)
(1305 1508)
or Scope of Others
- 3) Junction Box for Calumma



WIRELESS DMX

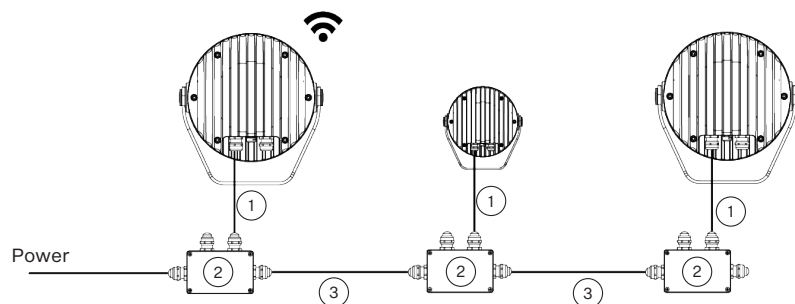
- 1) Flamar 3x AWG 16 + 1 x (2x AWG 24)
(1305 1508), Standard 1 m bare-end
- 2) Junction Box for Calumma

Note: This type of connection is available for M, L, XL versions.



- 1) Flamar 3x AWG 16 + 1 x (2x AWG 24)
(1305 1508), Standard 1 m bare-end
- 2) Junction Box for Calumma
- 3) Flamar 3x AWG 16 + 1 x (2x AWG 24)
(1305 1508)
or Scope of Others

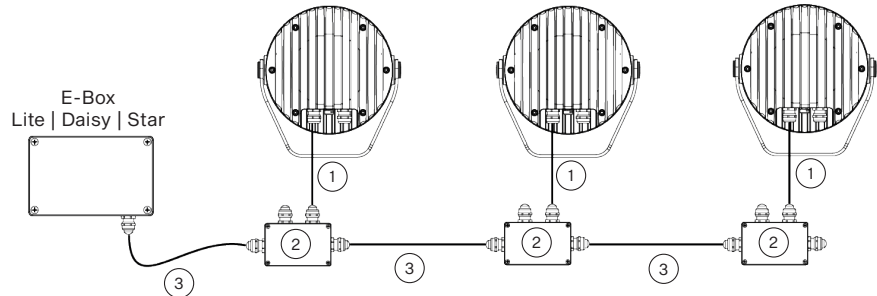
Note: This type of connection must have M, L or XL versions as the first luminaire. Next luminaires in a row could be chosen from S, M, L or XL versions.



CONTROL AND CONNECTION OPTIONS - CE

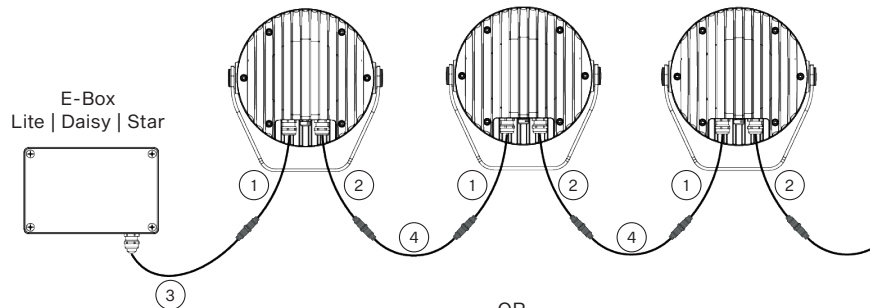
DMX or ETHERNET via E-BOX

- 1) Flamar 3x AWG 16 + 1x (2x AWG 24)
(1305 1508), Standard 1 m with bare-end
- 2) Junction Box for Calumma
- 3) Flamar 3x AWG 16 + 1x (2x AWG 24)
(1305 1508)
or Scope of Others



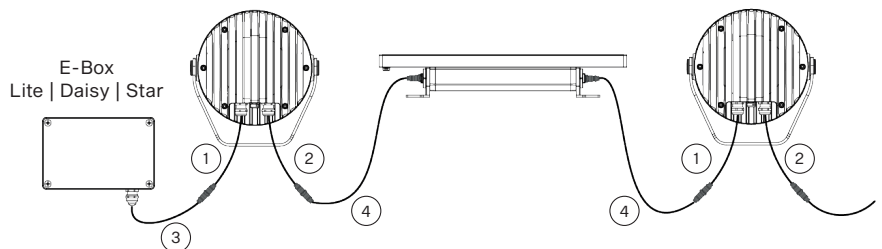
Note: This type of connection is available for S, M, L, and XL versions. E-Box has to be in Pass Through mode only.

- 1) Leader Cable MM (13053493)
Standard 0,5 m with hybrid connector
- 2) Leader Cable MF (13053494)
Standard 0,5 m with hybrid connector
- 3) Leader Cable FF 2 m (13053438)
Leader Cable FF 5 m (13053440)
Leader Cable FF 10 m (13053436)
Leader Cable FF 25 m (13053437)
Leader Cable FF 50 m (13053439)



OR

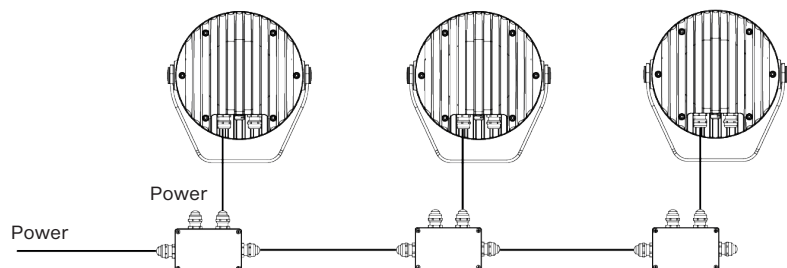
- 4) Jumper Cable FF/FM 0,25 m (13053422)
Jumper Cable FF/FM 0,5 m (13053423)
Jumper Cable FF/FM 1 m (13053425)
Jumper Cable FF/FM 2 m (13053427)
Jumper Cable FF/FM 3 m (13053428)
Jumper Cable FF/FM 5 m (13053430)
Jumper Cable FF/FM 10 m (13053424)



Note: With this type of connection is possible to connect Calumma (M, L, XL) and Eminere (Eminere, Eminere Side) luminaires in a row.

ON/OFF

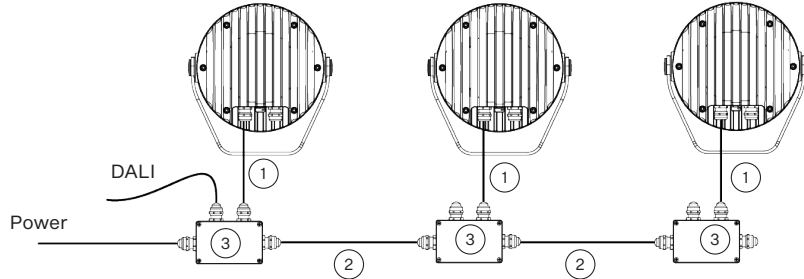
Note: This type of connection is available for Pure White & single color version only. Non dimmable.



CONTROL AND CONNECTION OPTIONS - US

DALI

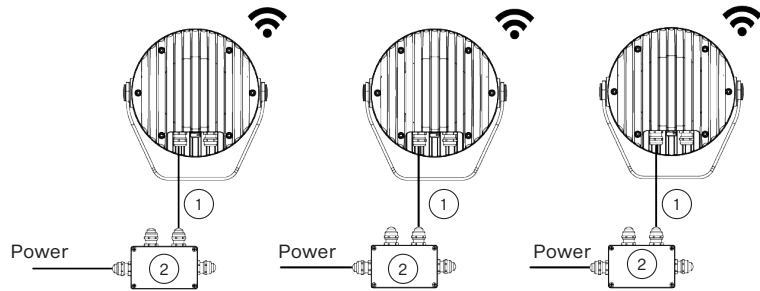
- 1) SJTW 5x 14AWG (1305 3336)
Standard 1 m with bare-end
- 2) SJTW 5x 14AWG (1305 3336)
or Scope of Others
- 3) Junction Box for Calumma



WIRELESS DMX

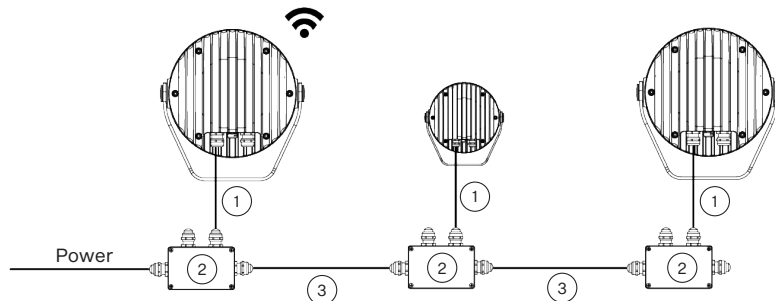
- 1) SJTW 6x 14AWG (1305 3480),
Standard 1 m with bare-end
- 2) Junction Box for Calumma

Note: This type of connection is available for M, L, XL versions



- 1) SJTW 6x 14AWG (1305 3480)
Standard 1 m with bare-end
- 2) Junction Box for Calumma
- 3) SJTW 6x 14AWG (1305 3480)
or Scope of Others

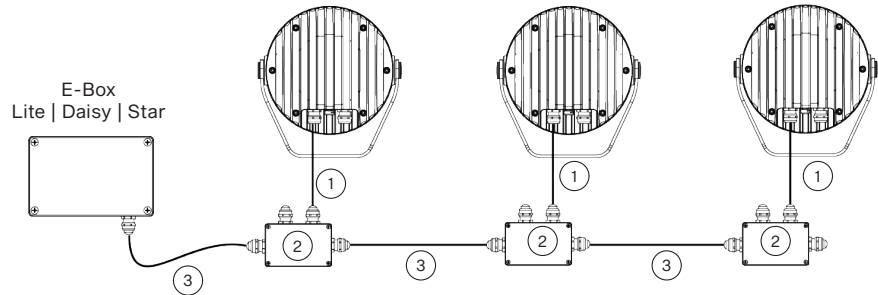
Note: This type of connection must have M, L or XL versions as the first luminaire. Next luminaires in a row could be chosen from S, M, L or XL versions.



CONTROL AND CONNECTION OPTIONS - US

DMX or ETHERNET via E-BOX

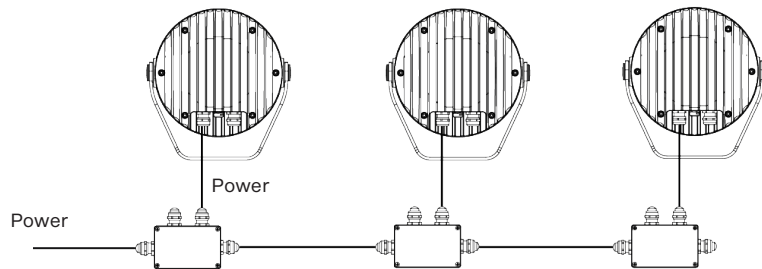
- 1) SJTW 6x 14AWG (1305 3480)
Standard 1 m with bare-end
- 2) Junction Box for Calumma
- 3) SJTW 6x 14AWG (1305 3480)
or Scope of Others



Note: This type of connection is available for S, M, L, and XL versions. E-Box has to be in Pass Through mode only.

ON/OFF

Note: This type of connection is available for Pure White & single color version only. Non dimmable.



CONNECTIVITY

Following table shows maximum connected Calummas L SC in a row with respect of cable length.

STANDARD MODE	Cable length (m)	Voltage (V)			
		120	190	230	277
CALUMMA L SC	10	17	26	32	38
	20	17	26	32	38
	30	12	26	32	38
	50	7	18	26	37
	70	5	13	18	27
	100	3	9	13	19
	200	3	4	6	9
	500	1	2	3	4

PASS-THROUGH MODE	Cable length (m)	Voltage (V)			
		120	190	230	277
CALUMMA L SC	10	17	26	32	32
	20	17	26	32	32
	30	12	26	32	32
	50	7	18	26	32
	70	5	13	18	27
	100	3	9	13	19
	200	3	4	6	9
	500	1	2	3	4

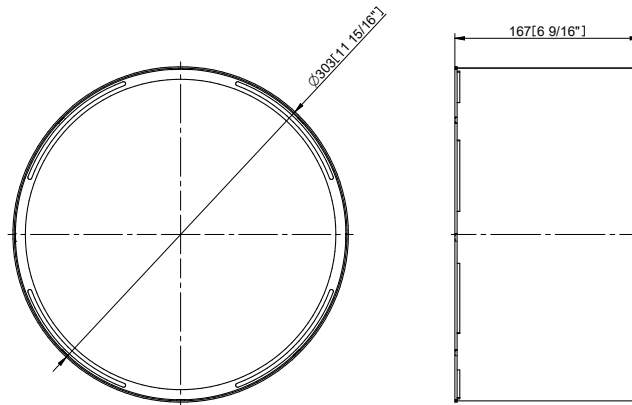
BOOSTER BOX POSITIONS

	Cable length (m)	Max. number of Calummas L MC= 191 (in Standard mode)			
		120 V	190 V	230 V	277 V
CALUMMA L SC	10 m	14, 28	22	27	-
	20 m	14, 28, 42, 54	22, 44	27, 54	32
	30 m	10, 20, 30, 40, 50, 60, 70, 80	22,44,66	27,54,81	32,64
	50 m	6, 12, 18, 24, 30, 36, 42, 48, 54, 60, 66, 72, 78, 84, 90, 96, 102....	15, 30, 45, 60, 75, 90, 105, 120, 135..	22, 44, 66, 88, 110, 132...	32, 64, 96, 128...
	70 m	4, 8, 12, 16, 20, 24, 28, 32, 36, 40, 44, 48, 52, 56, 60, 64, 68, 72, 76, 80, 84....	11, 22, 33, 44, 55, 66, 77, 88, 99, 110...	16, 32, 48, 64, 80, 96, 112, 128, 144...	23, 46, 69, 92, 115, 138, 161, ...
	100 m	3, 6, 9, 12, 15, 18, 21, 24, 27, 30, 33, 36, 39, 42, 45, 48, 51, 54, 57, 60, 63, 66, 69, 72, 75, 78, 81...	7, 14, 21, 28, 35, 42, 49, 56, 63, 70, 77, 84, 91, 98, 105...	11, 22, 33, 44, 55, 66, 77, 88, 99, 110, 121, 132...	16, 32, 48, 64, 80, 96, 112, 128, 144, 160
	200 m	1, 2, 3, 4, 5, 6, 7, 8, 9, 10, 11....	4, 8, 12, 16, 20, 24, 28, 32, 36, 40, 44, 48, 52, 56, 60, 64, 68, 72, 76, 80, 84...	5, 10, 15, 20, 25, 30, 35, 40, 45, 50, 55, 60, 65, 70, 75...	8, 16, 24, 32, 40, 48, 56, 64, 72, 80, 88, 96...
	500 m	1, 2, 3, 4, 5, 6, 7, 8, 9, 10, 11....	1, 2, 3, 4, 5, 6, 7, 8, 9, 10, 11....	2, 4, 6, 8, 10, 12, 14, 16, 18, 20...	3, 6, 9, 12, 15, 18, 21....

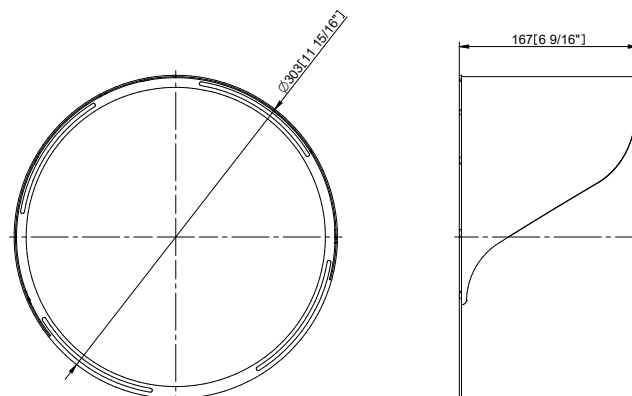
NOTE: For more detail see the User manual.

ACCESSORIES

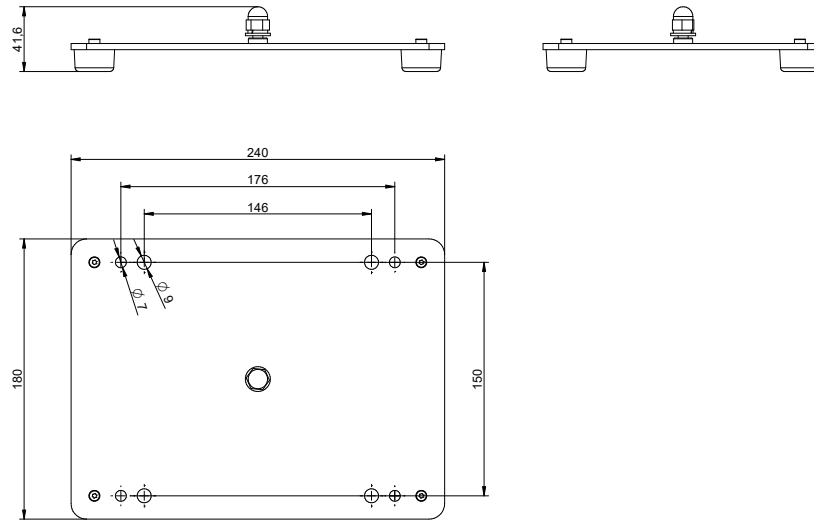
Top Hat



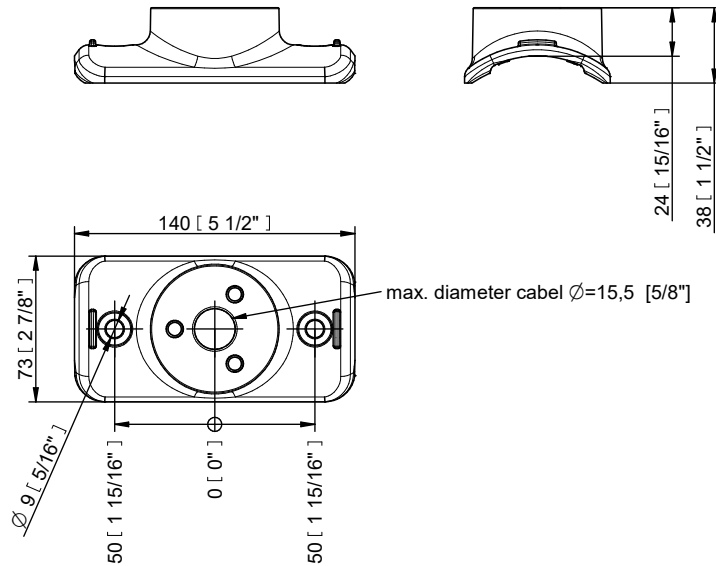
Half Top Hat



Floor Stand



Pole Adaptor



PHOTOMETRIC OVERVIEW

Lumen Output (lm)

	RGBCW (W 6500 K)	RGBA	WW (W 3000 K)
10°	7900	5539	9779
15°	7198	5047	8910
25°	7035	4933	8708
30°	6905	4842	8548
45°	7051	4944	8728
65°	6912	4847	8556
100°	6998	4907	8663
10° x 30°, 30° x 10°	6951	4874	8604
10° x 60°, 60° x 10°	6917	4850	8562
15° x 45°, 45° x 15°	7216	5060	8933
30° x 60°, 60° x 30°	6876	4821	8512
30° x 90°, 90° x 30°	6481	4544	8023
15° x 90°, 90° x 15°	6805	4772	8424